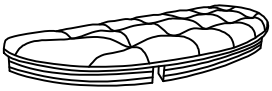

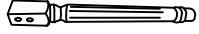
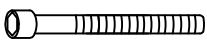
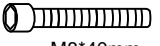





ASSEMBLY INSTRUCTION

SKU NO.:

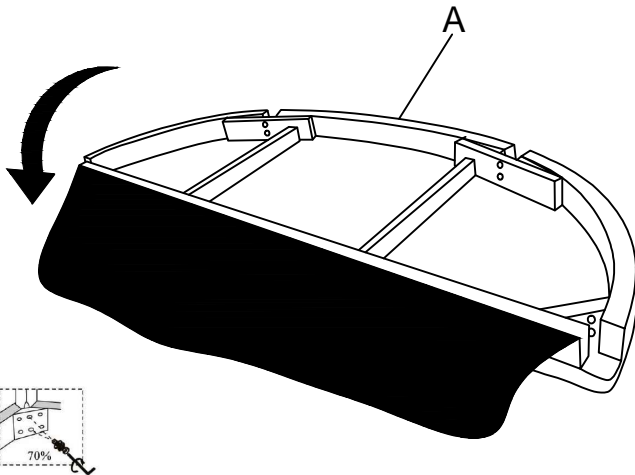
ITEM NO.:

PART LIST

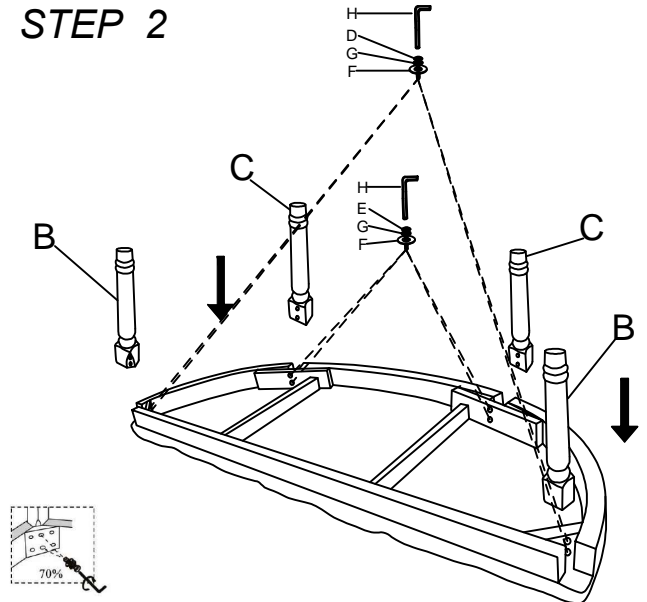
<p>A</p>  <p>seat 1 pc</p>	<p>B</p>  <p>side leg 2 pcs</p>	<p>C</p>  <p>middle leg 2 pcs</p>	<p>D</p>  <p>M8*60mm</p> <p>bolt 8 pcs</p>	<p>E</p>  <p>M8*40mm</p> <p>bolt 4 pcs</p>
<p>F</p>  <p>FLAT WASHER 12 PCS</p>	<p>G</p>  <p>SPRING WASHER 12 PCS</p>	<p>H</p>  <p>ALLEN KEY 1 PCS</p>		

ASSEMBLY

STEP 1

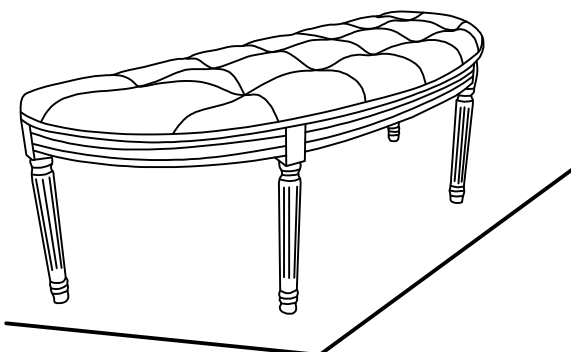


STEP 2

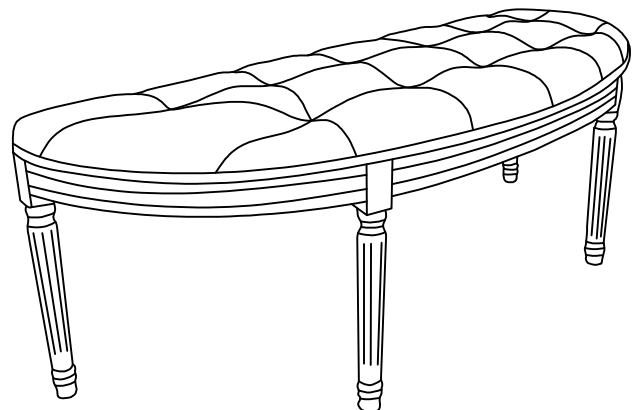


STEP 3

Please put the assembled ottoman on a flat surface. Make sure four legs are on same level. Then tighten the bolts 100%.



STEP 4



Finish