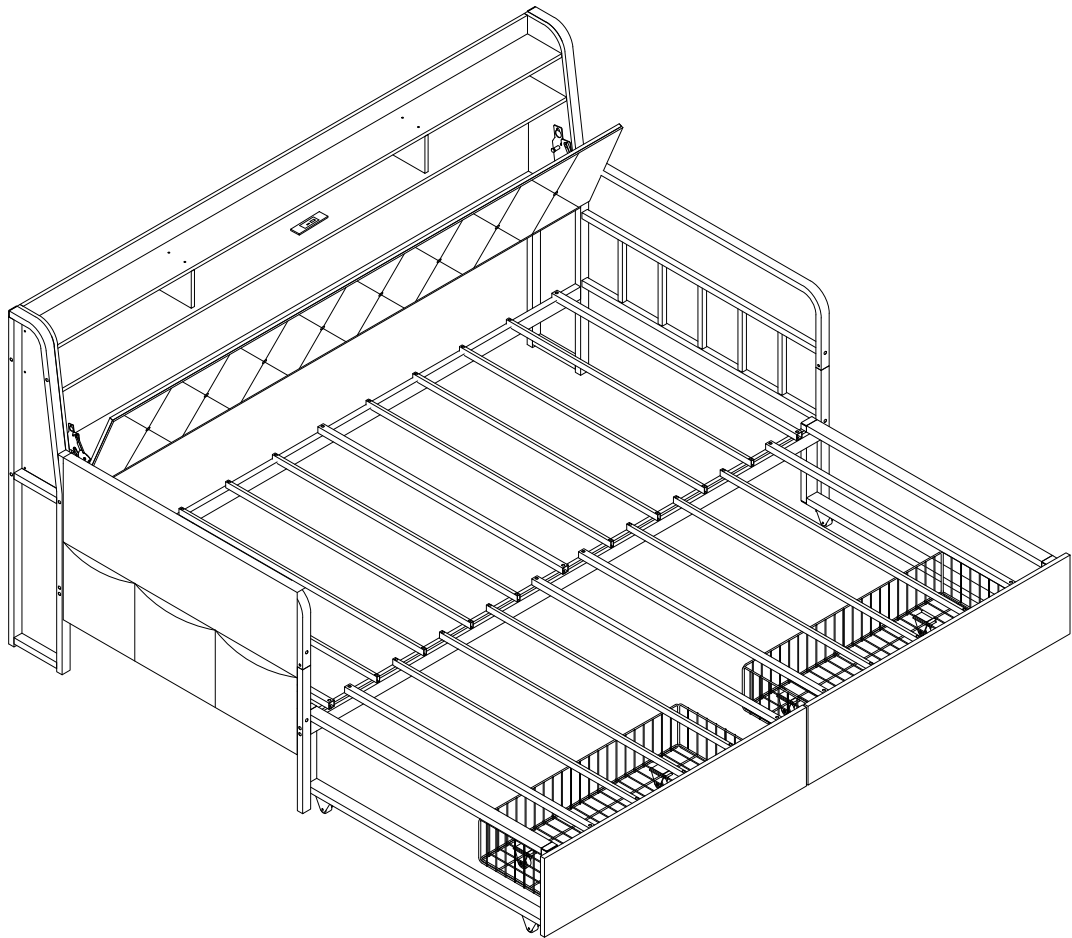
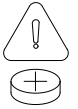
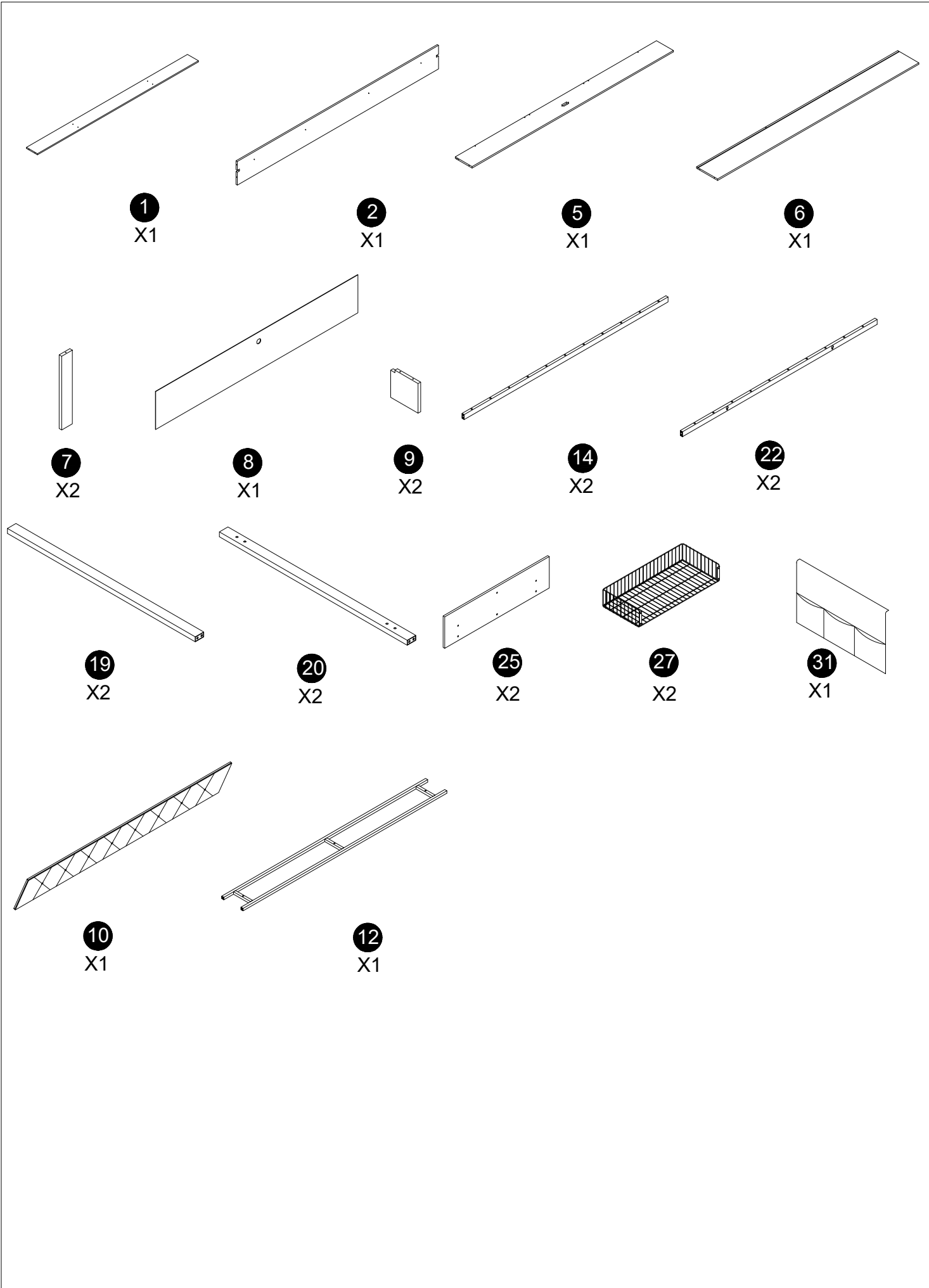


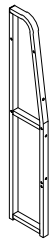
# Assembly Instruction



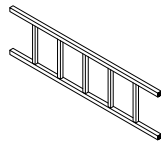
## TIPS

- 1.This product is divided into 2 parcels for delivery. They may not arrive at the same time. Please wait patiently.
- 2.Please read the instructions fully before assembly. These instructions include important information which could ensure correct assembly. We have been working on providing high quality products for you. However, in the rare instance that your product is defective,missing parts or there are some issues, please don't hesitate to contact our customer service to submit parts requirements, assembly suggestion,or warranty claims, and we will give the best solution as soon as possible. If necessary, we need you to provide some more clear pictures of the issue.
- 3.Insert the screws in holes and tighten the screws, but not too tight, 70%~80% is ok, finally tighten all the screws. If some issues happened that some screws can not target to the hole or some parts are difficult to install, please adjust the tightness of the screws.
- 4.2 people are recommended to finish.

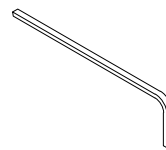




**11**  
X2



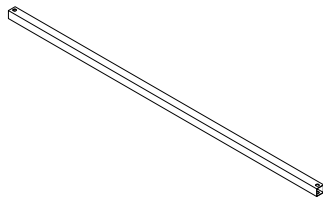
**13**  
X2



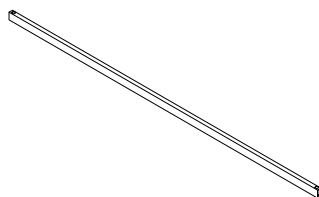
**15**  
X2



**16**  
X2



**17**  
X6



**18**  
X15



**21**  
X4



**23**  
X4



**24**  
X8



**26**  
X2



**28**  
X4



**29**  
X1



**30**  
X1



**32**  
X1



**3**  
X1

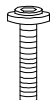


**4**  
X1



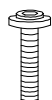
**A**

M6\*12  
X26+3



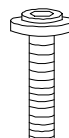
**B**

M6\*28  
X3+1



**C**

M6\*40  
X56+6



**D**

M8\*40  
X16+2



**E**

M8\*15  
X2+1



**F**

M6\*50  
X4+1



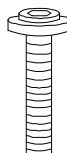
**G**

M6\*15  
X2+1



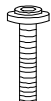
**L**

M3\*12  
X2+1



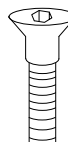
**H**

M8\*50  
X8+1



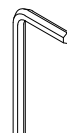
**M**

M8\*60  
X8+1



**I**

M5\*35  
X36+4



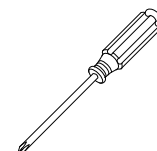
**J**

M5  
X1



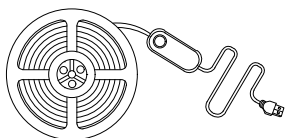
**O**

M3  
X1



**K**

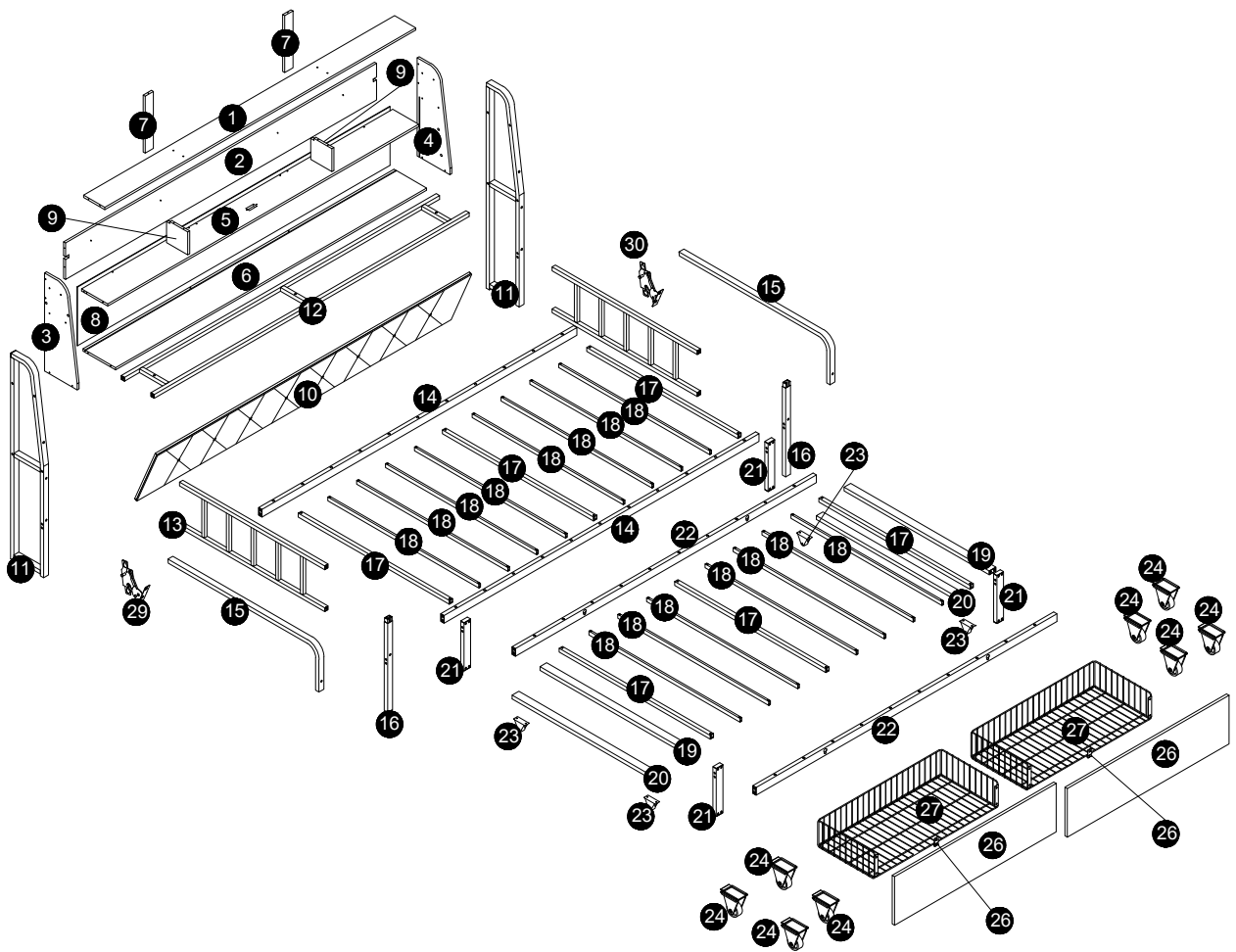
X1



LIGHT STRIP

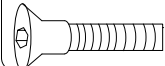
# Assembly Instruction

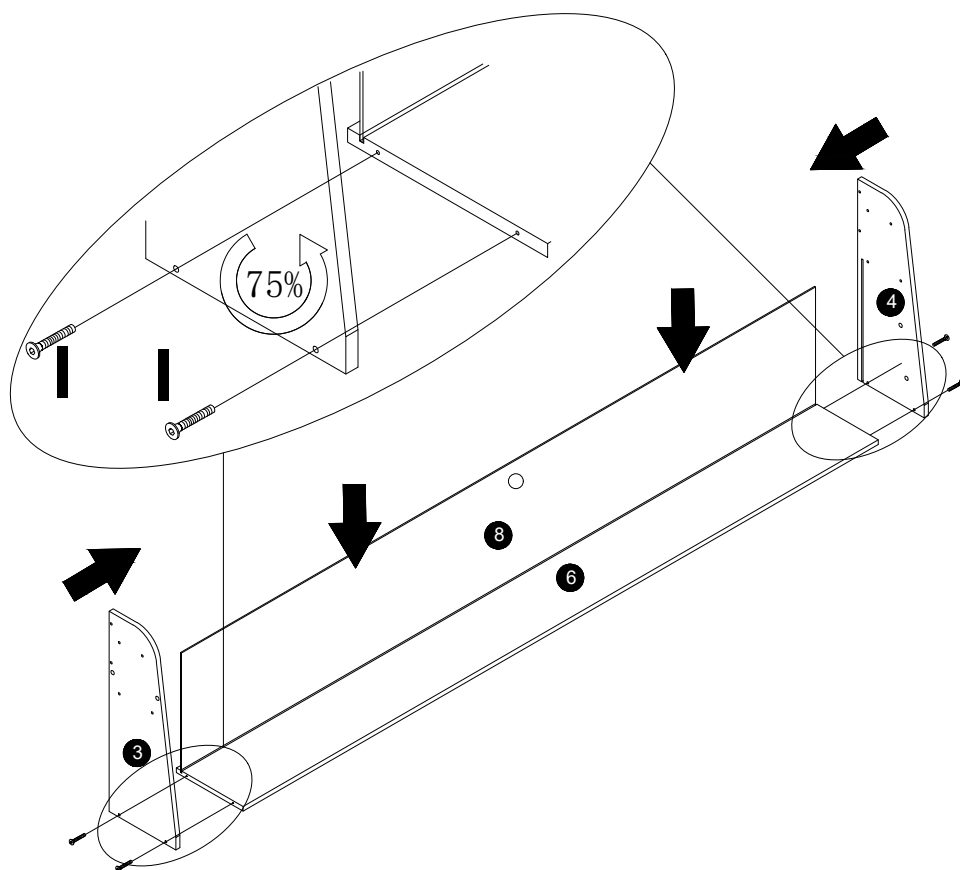
# OVERVIEW



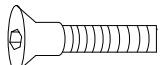
# Assembly Instruction

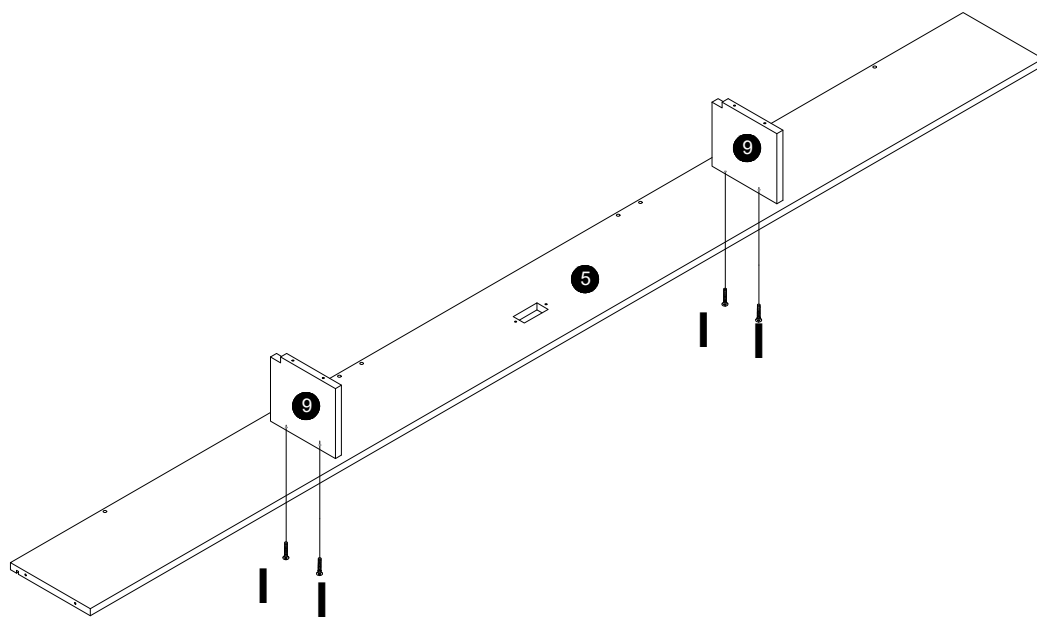
1

I M5\*35  
 X4



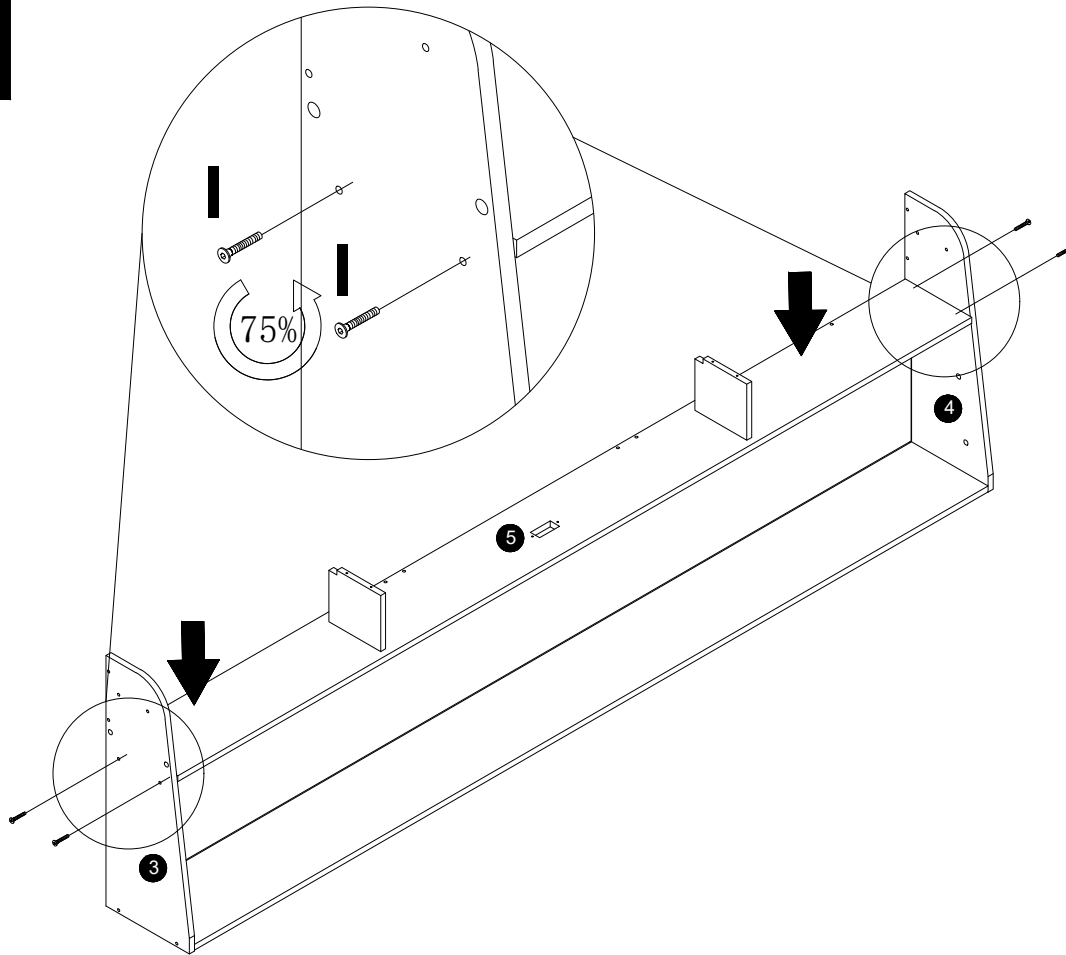
2

I M5\*35  
 X4



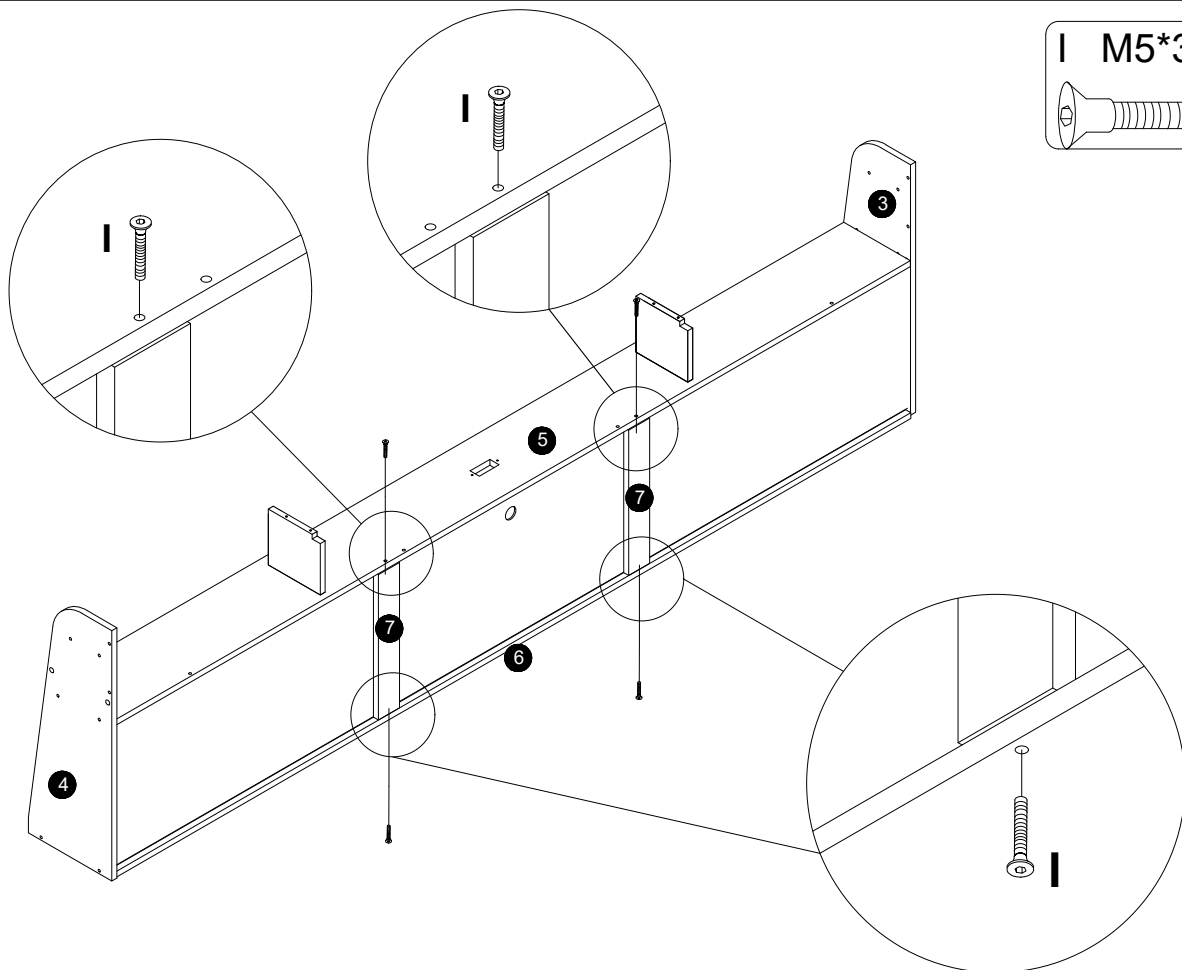
# Assembly Instruction

3



1 M5\*35  
X4

4



1 M5\*35  
X4

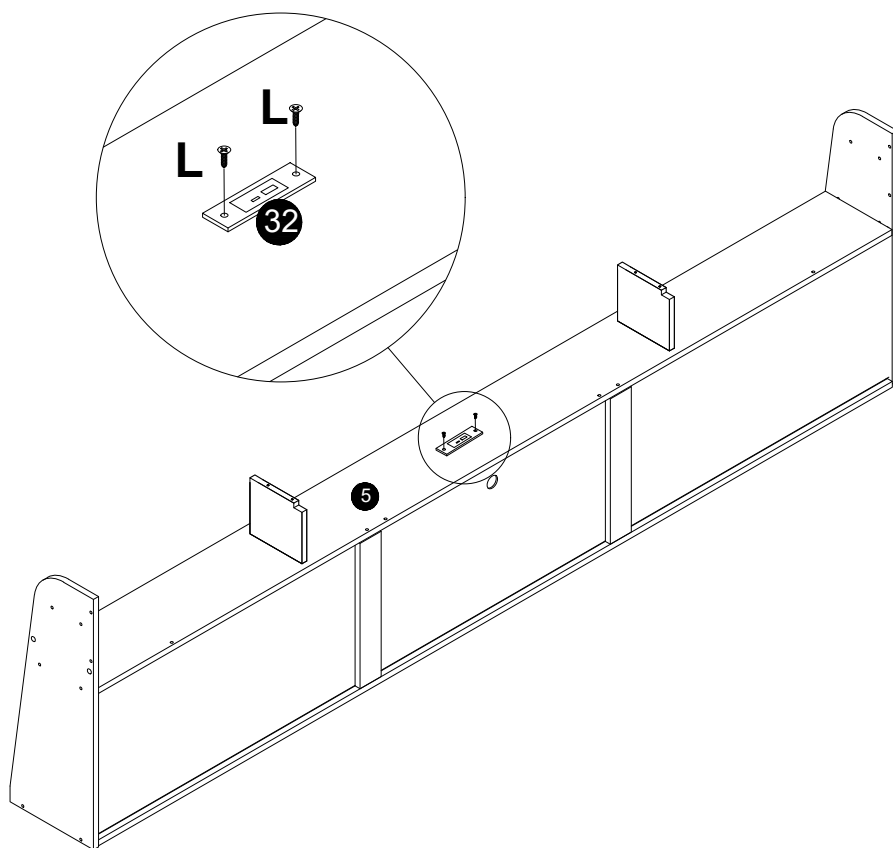
# Assembly Instruction

5

L M3\*12

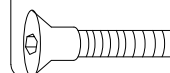


X2

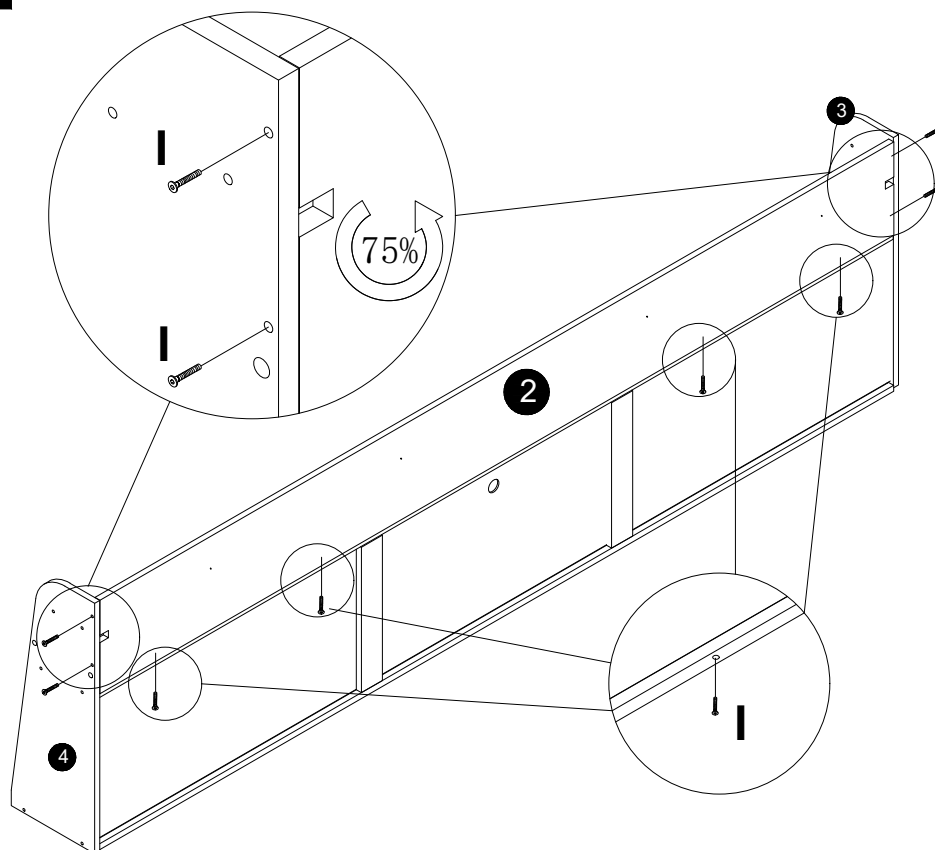


6

I M5\*35

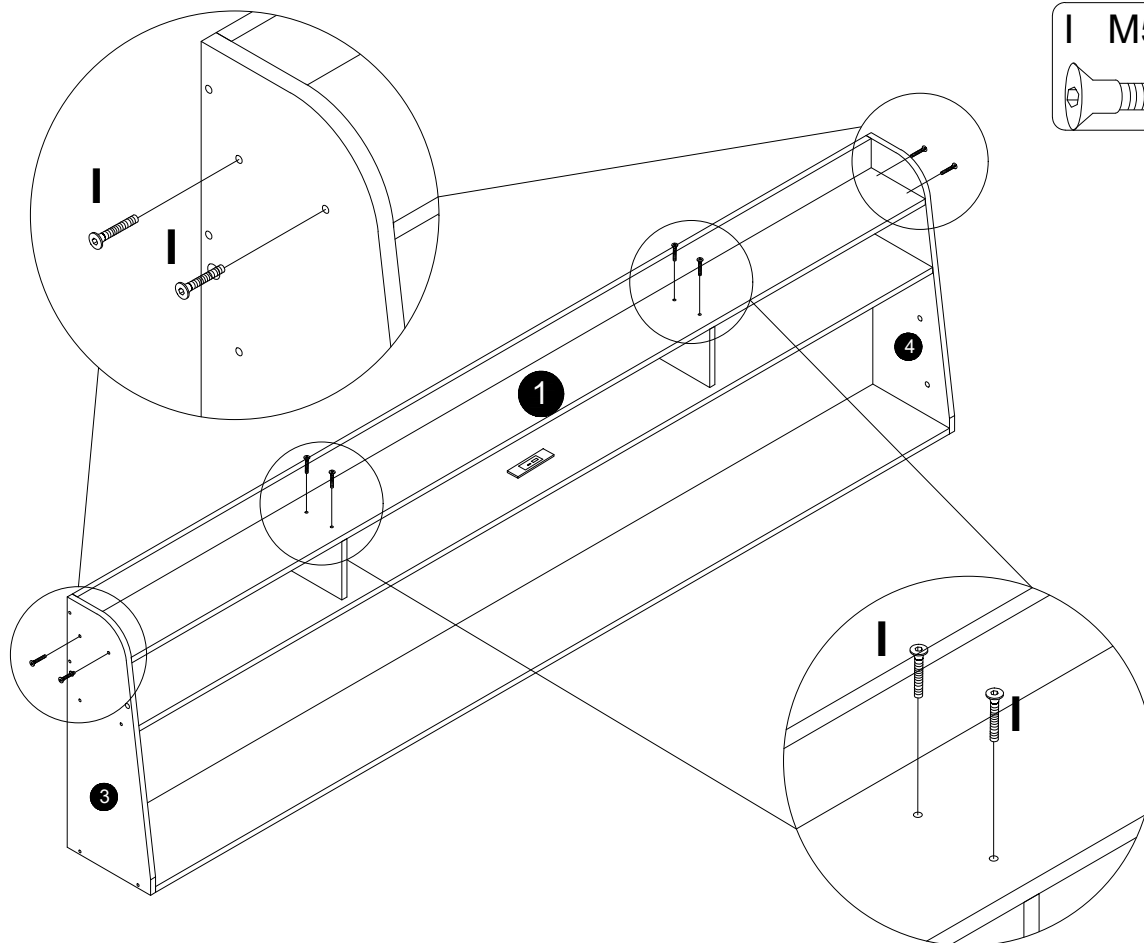


X8

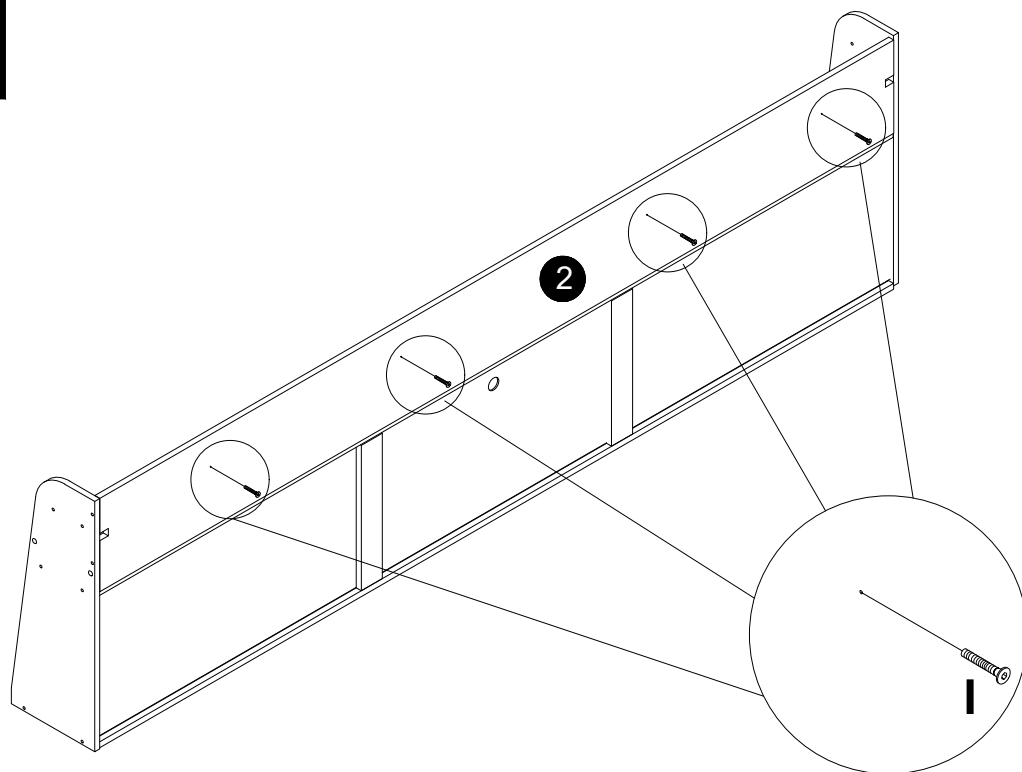


# Assembly Instruction

7



8



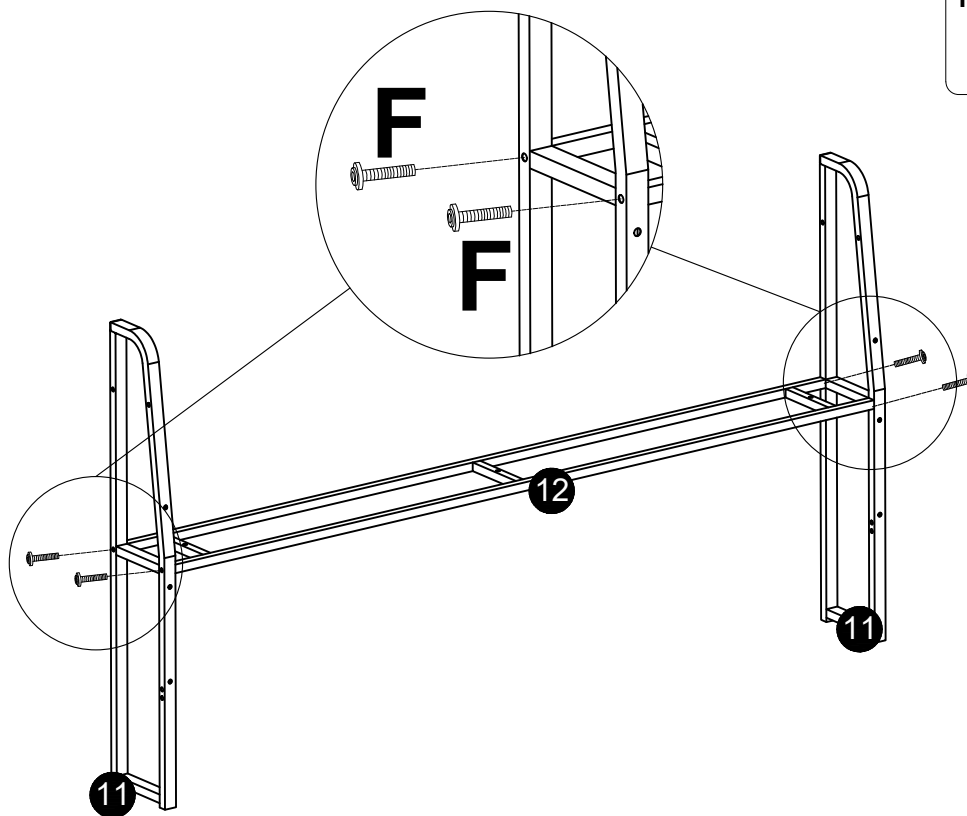
locking all screws that  
locked 75% in the previous steps

# Assembly Instruction

9

F M6\*50

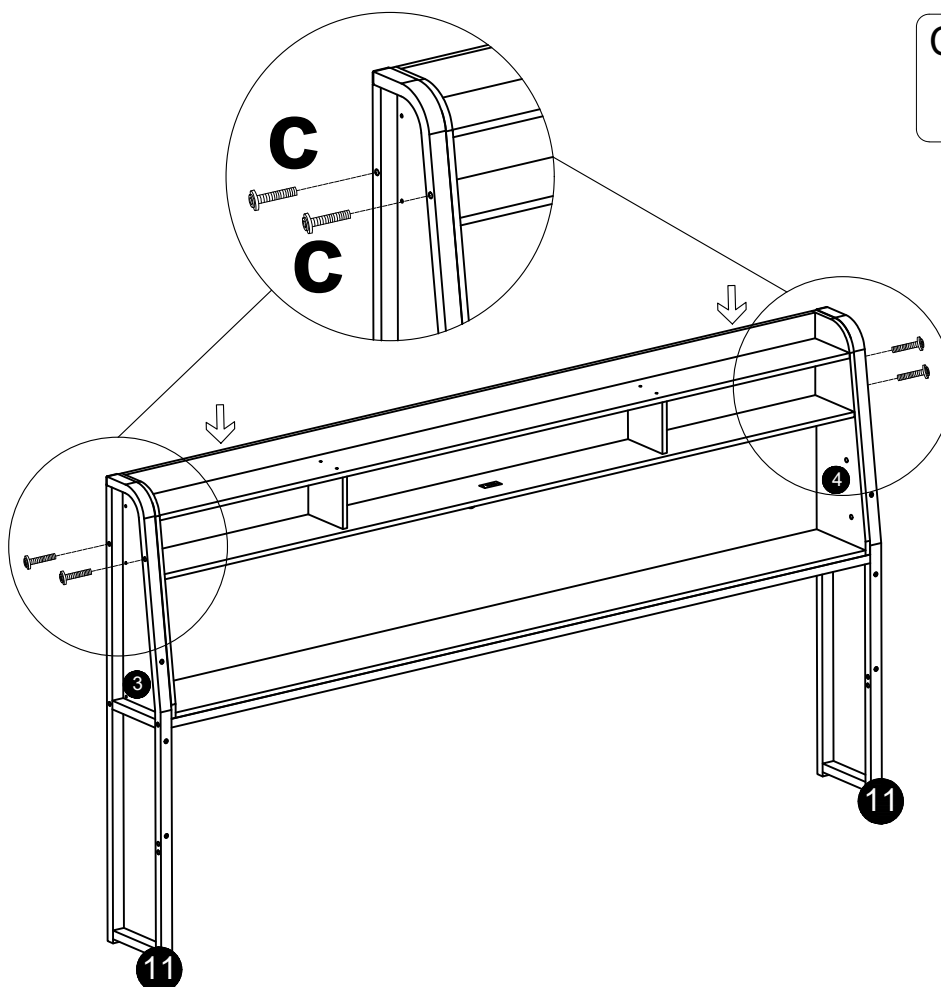
X4



10

C M6\*40

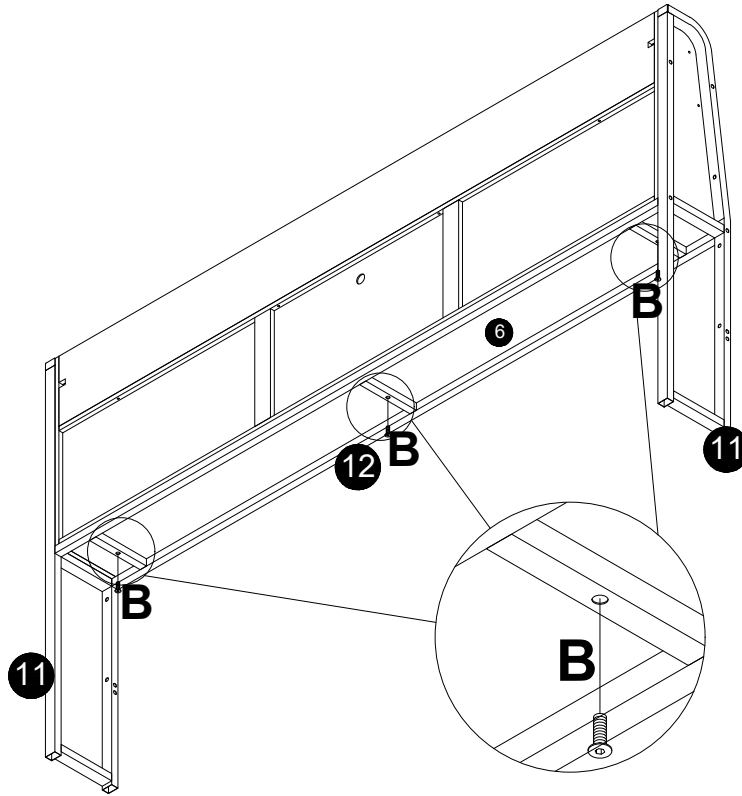
X4



# Assembly Instruction

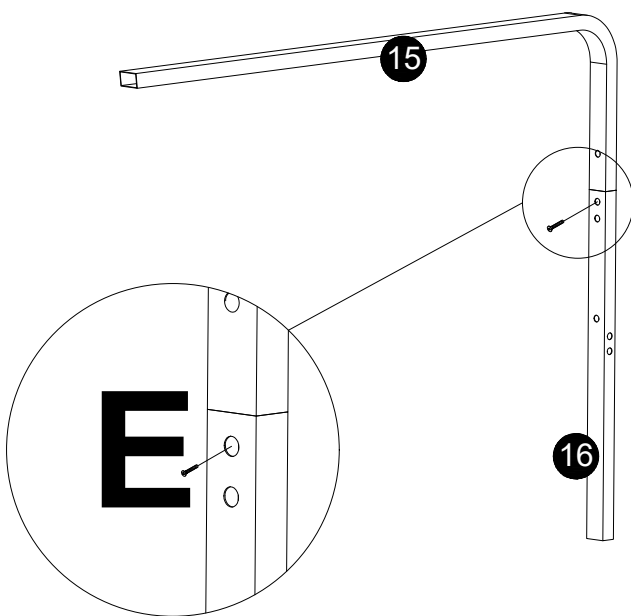
11

B M6\*28



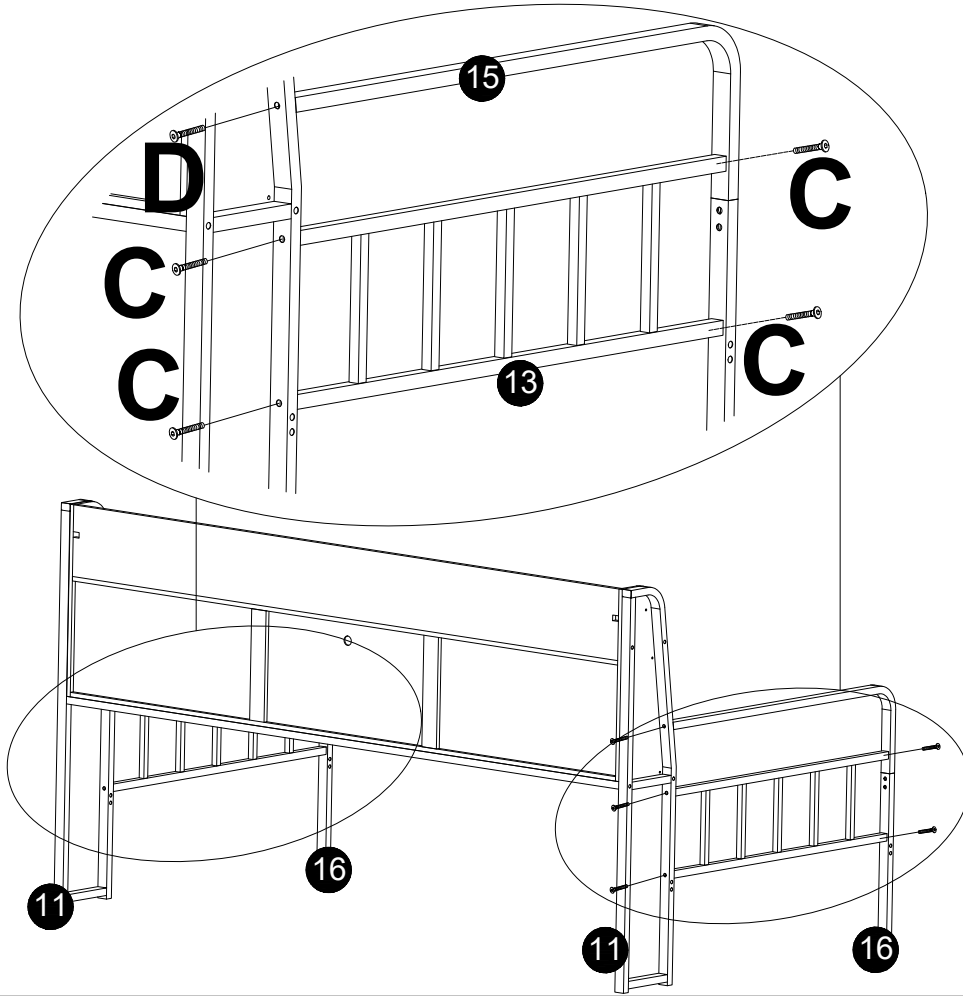
12

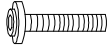
E M8\*15

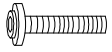


# Assembly Instruction

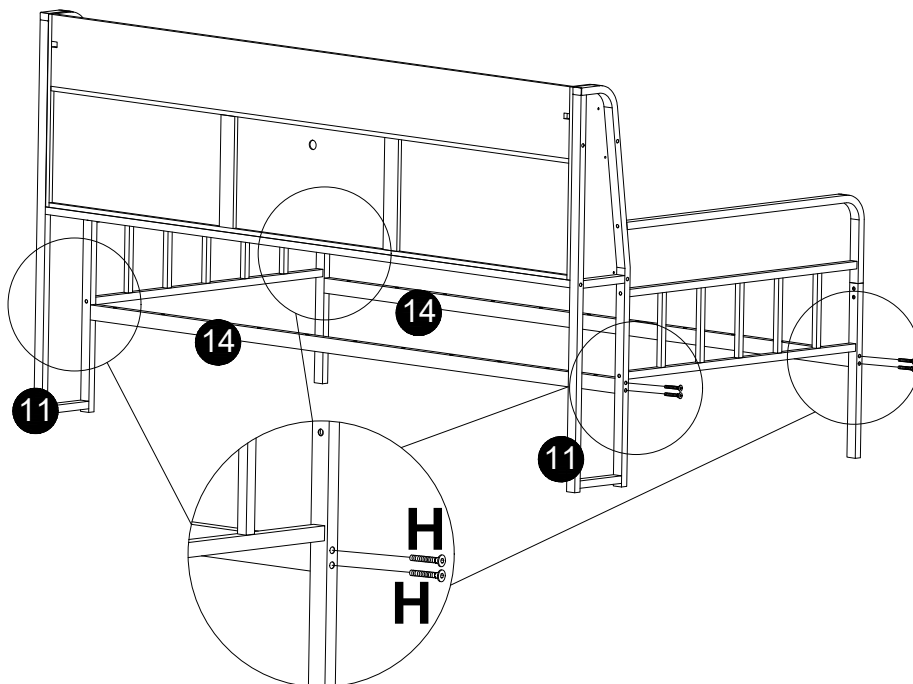
13

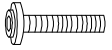


C M6\*40  
 X8

D M8\*40  
 X2

14

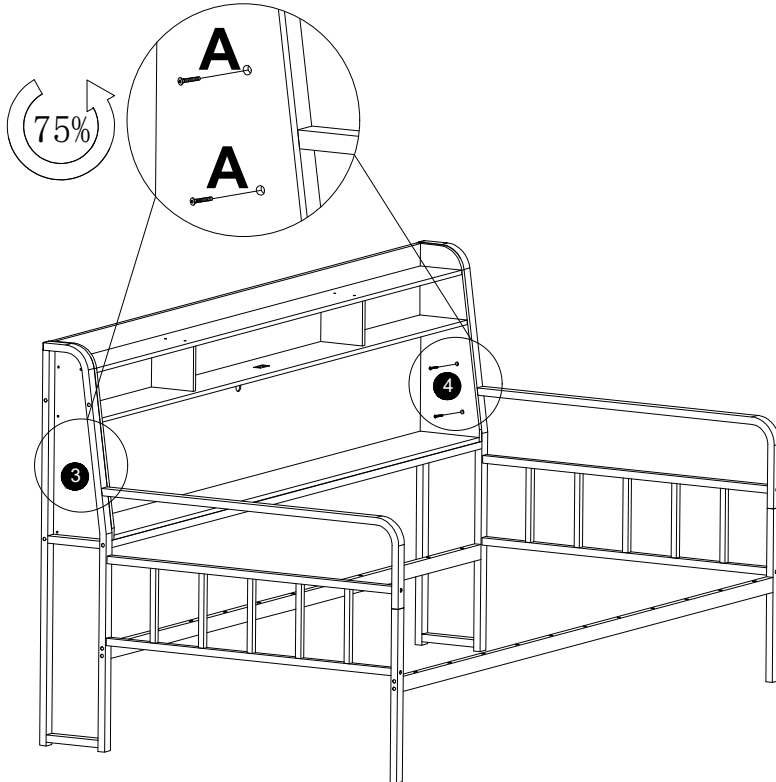
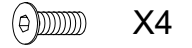


H M8\*50  
 X8

# Assembly Instruction

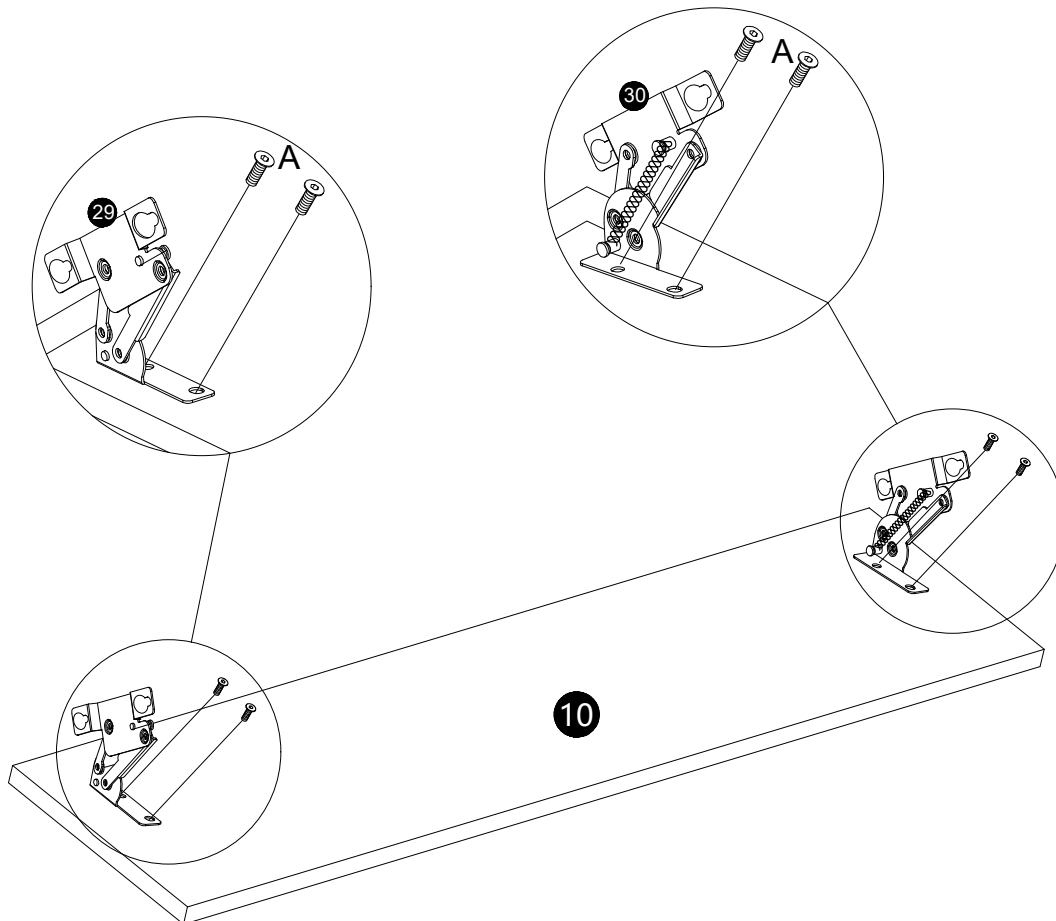
15

A M6\*12



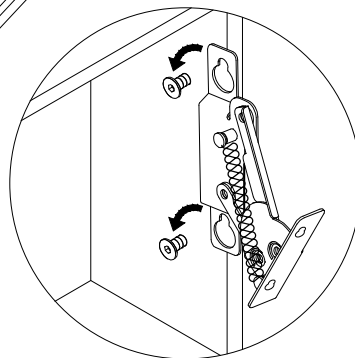
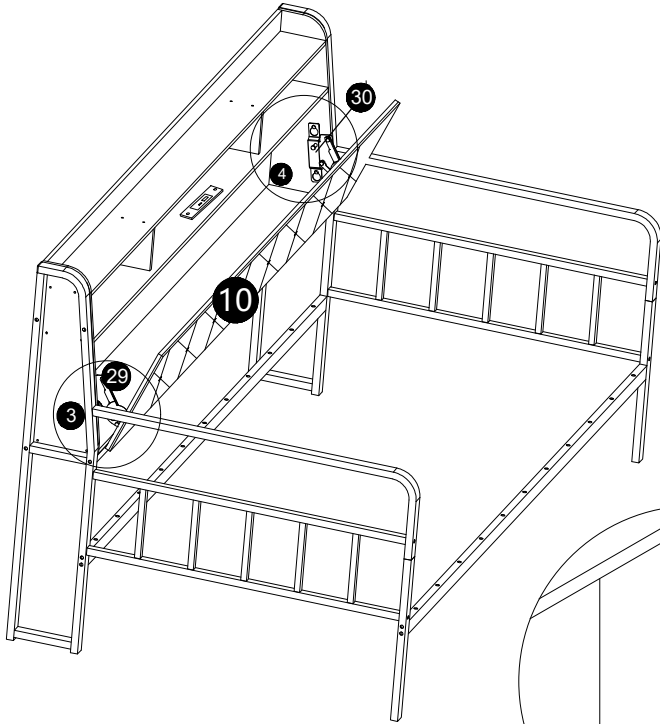
16

A M6\*12

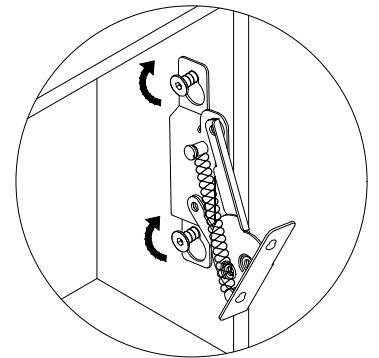


# Assembly Instruction

17



Hang it up first



Then tighten it

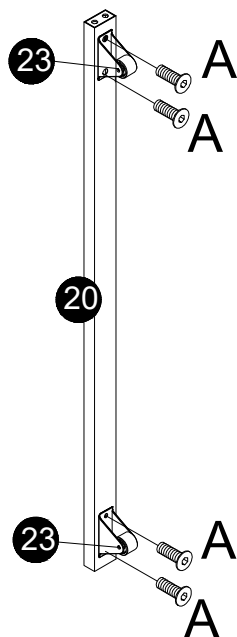
18

A M6\*12



X8

X2

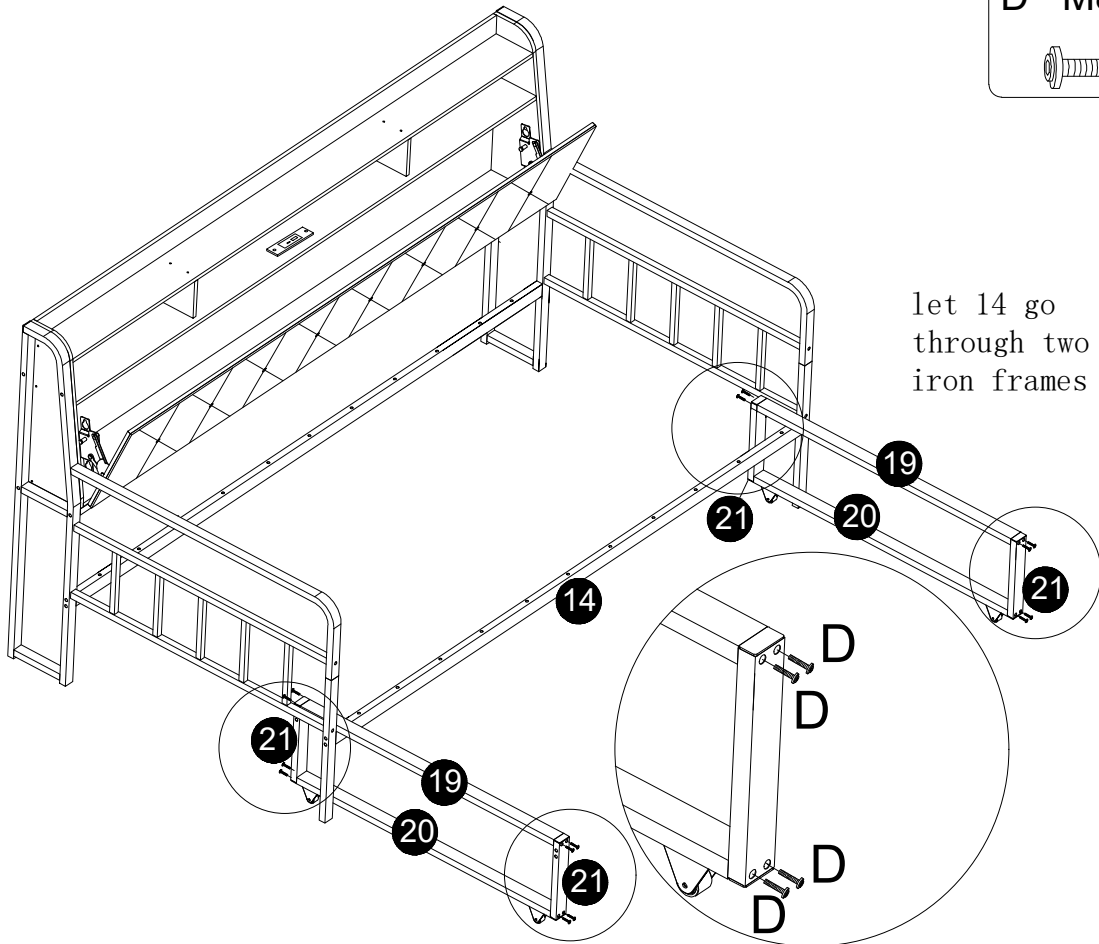


# Assembly Instruction

19

D M8\*40

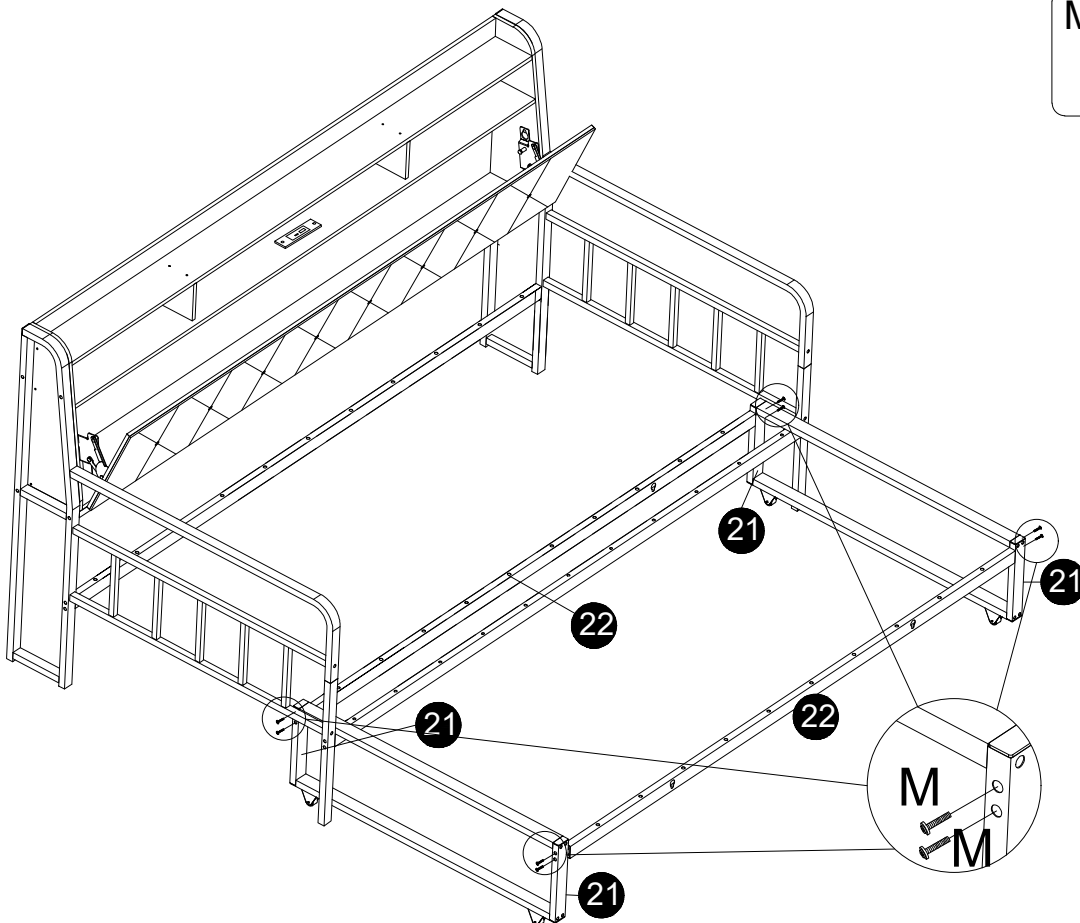
X16



20

M M8\*60

X8

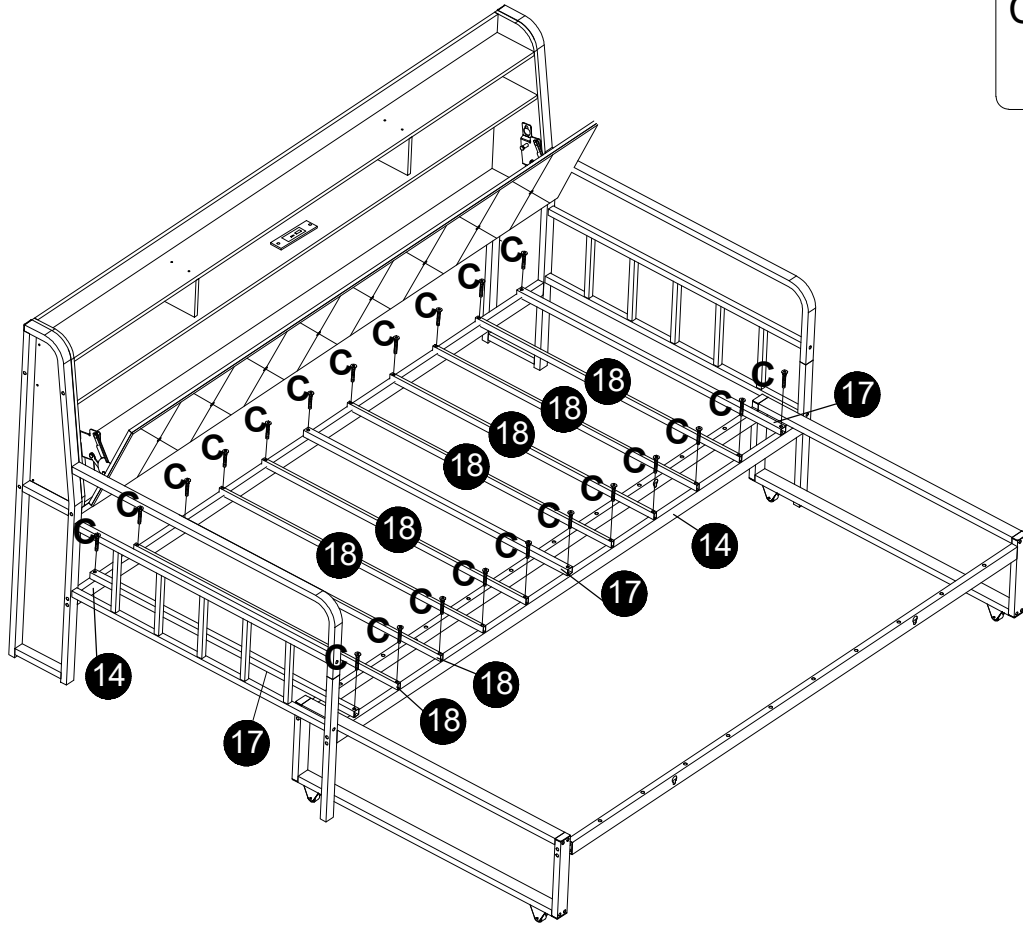


# Assembly Instruction

21

C M6\*40

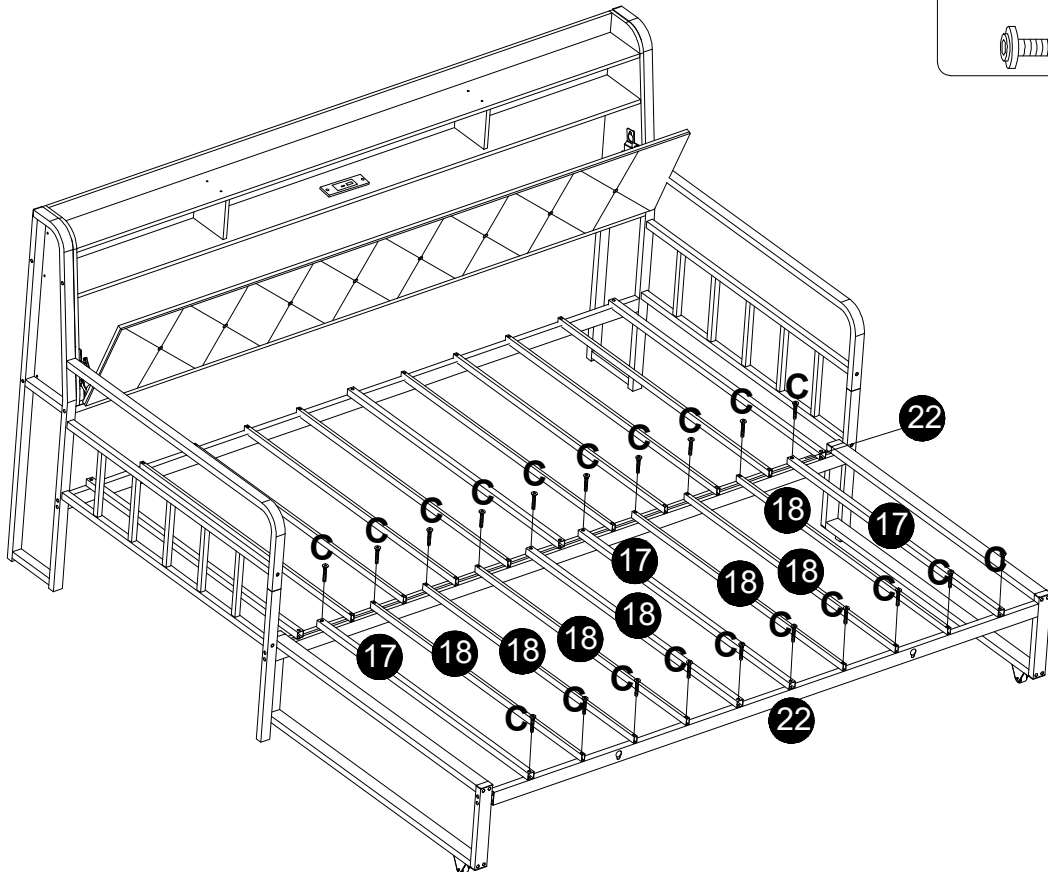
X22



22

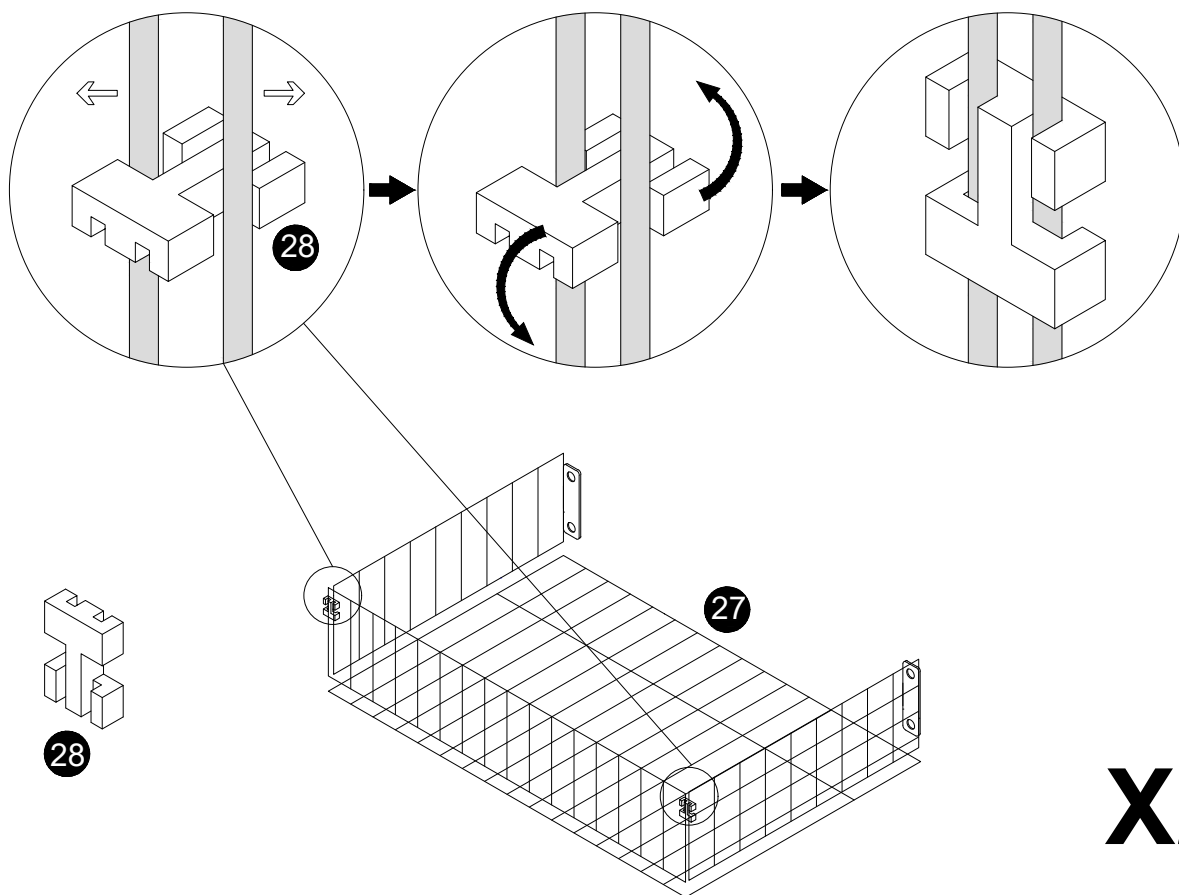
C M6\*40

X20

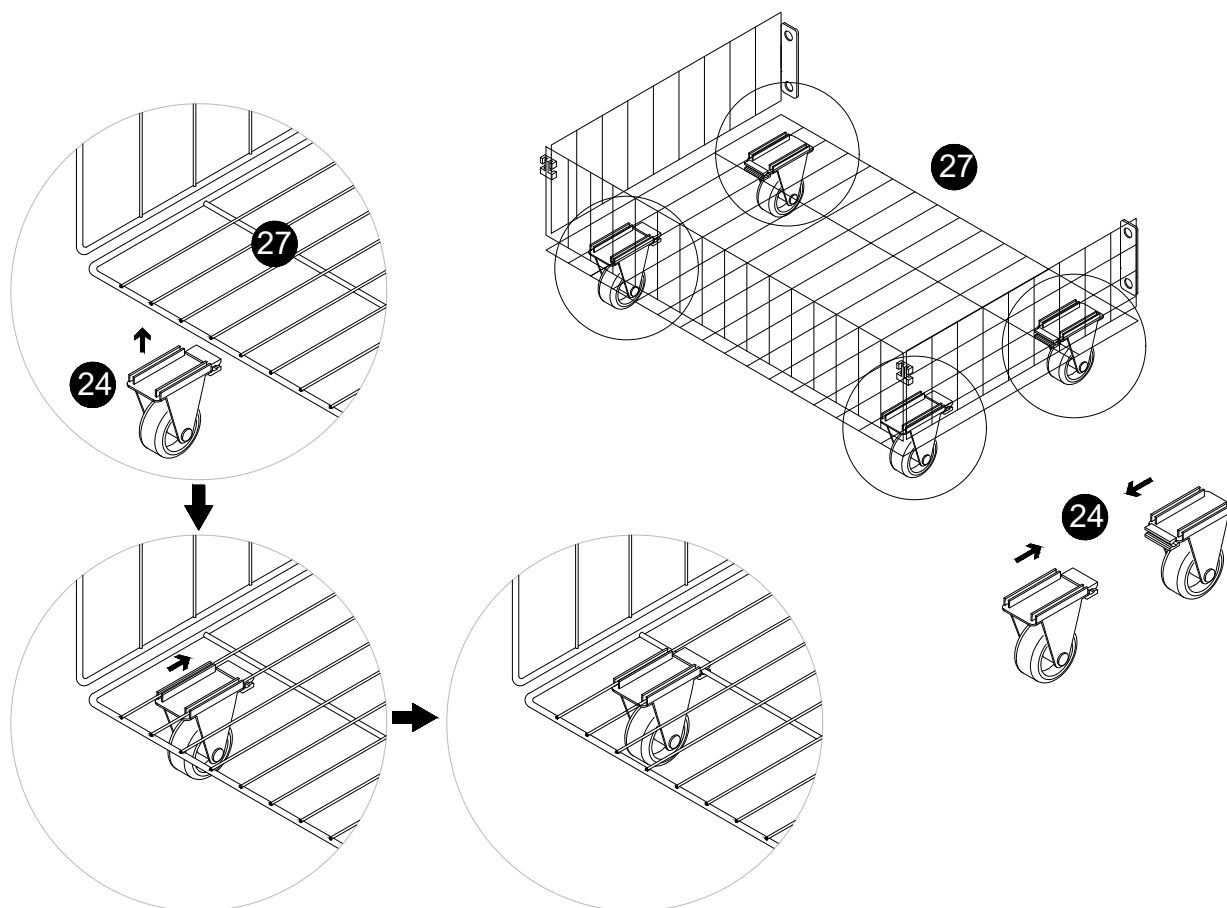


# Assembly Instruction

23



24

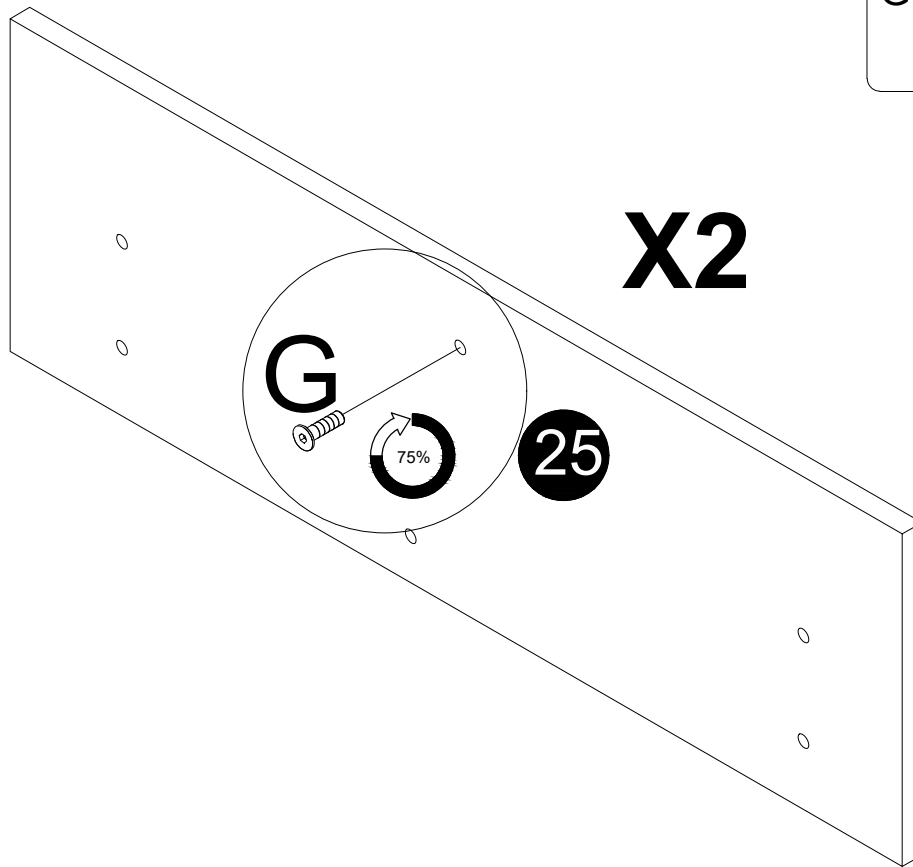


# Assembly Instruction

25

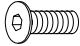
G M6\*15

 X2

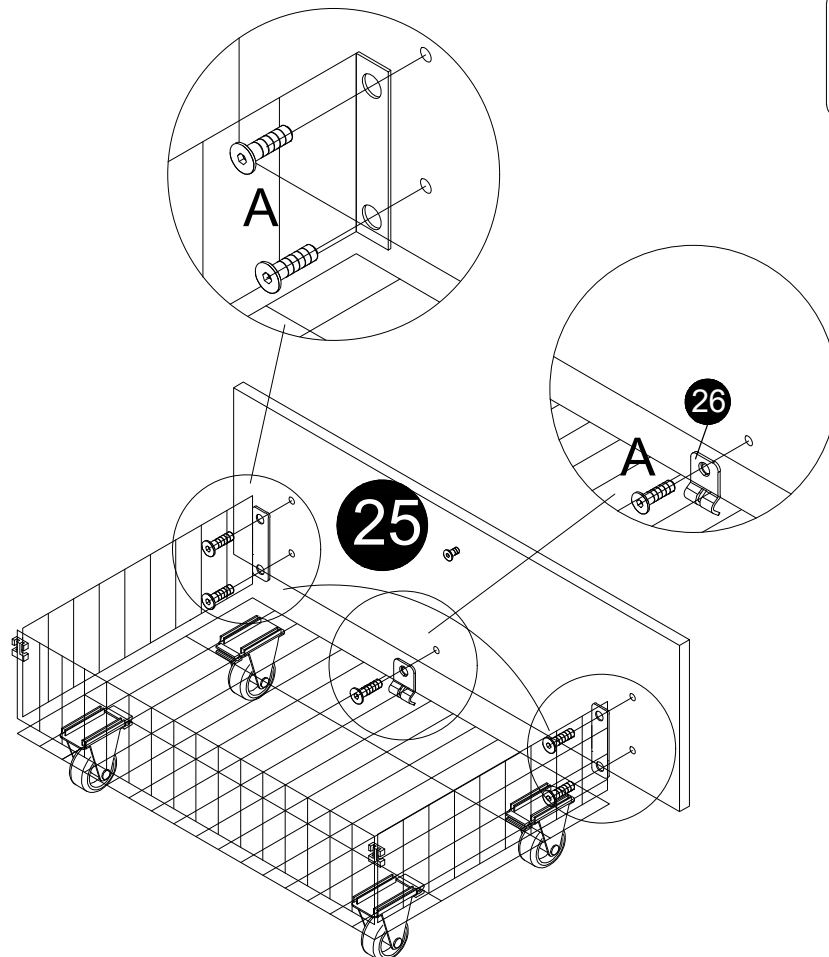


26

A M6\*12

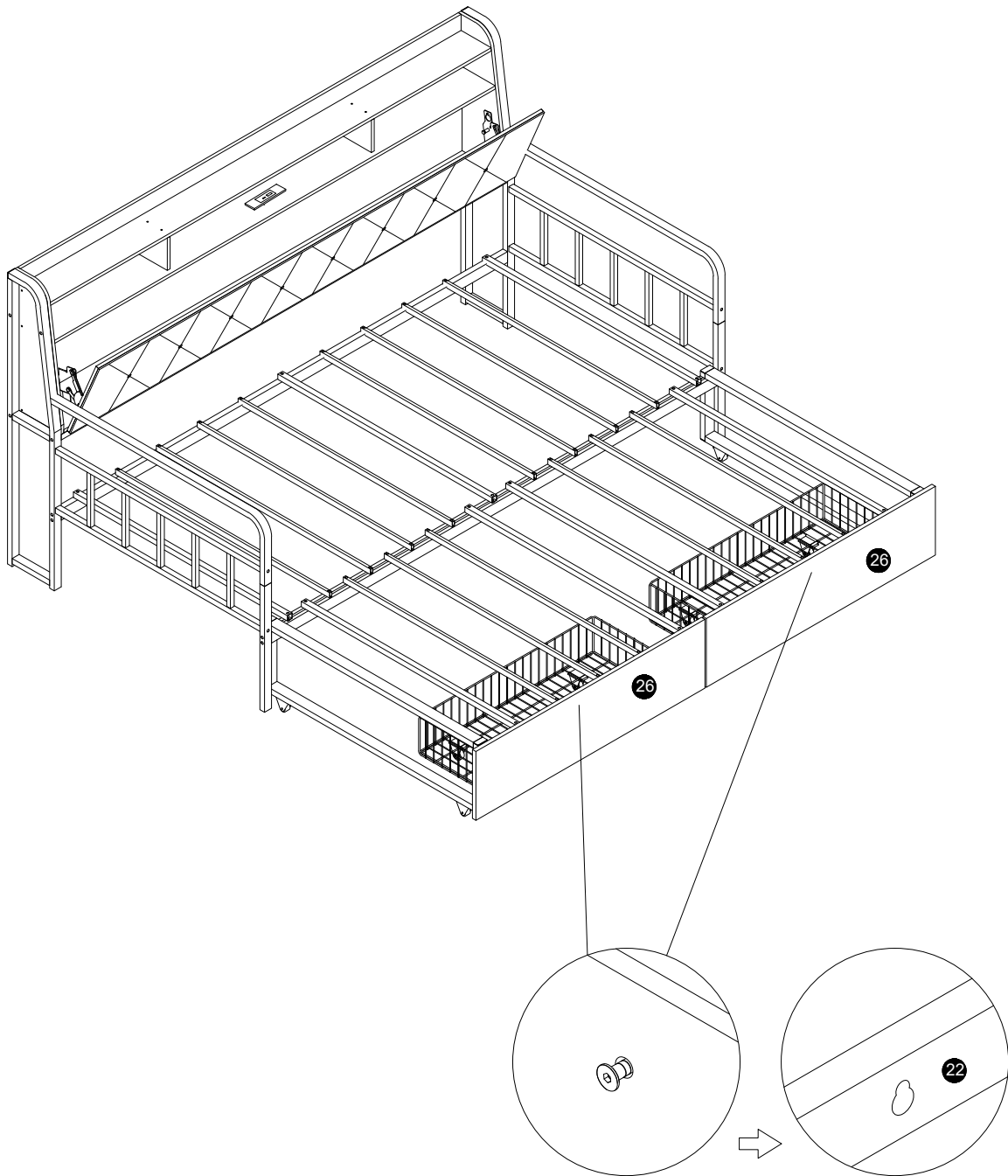
 X10

**X2**



# Assembly Instruction

27

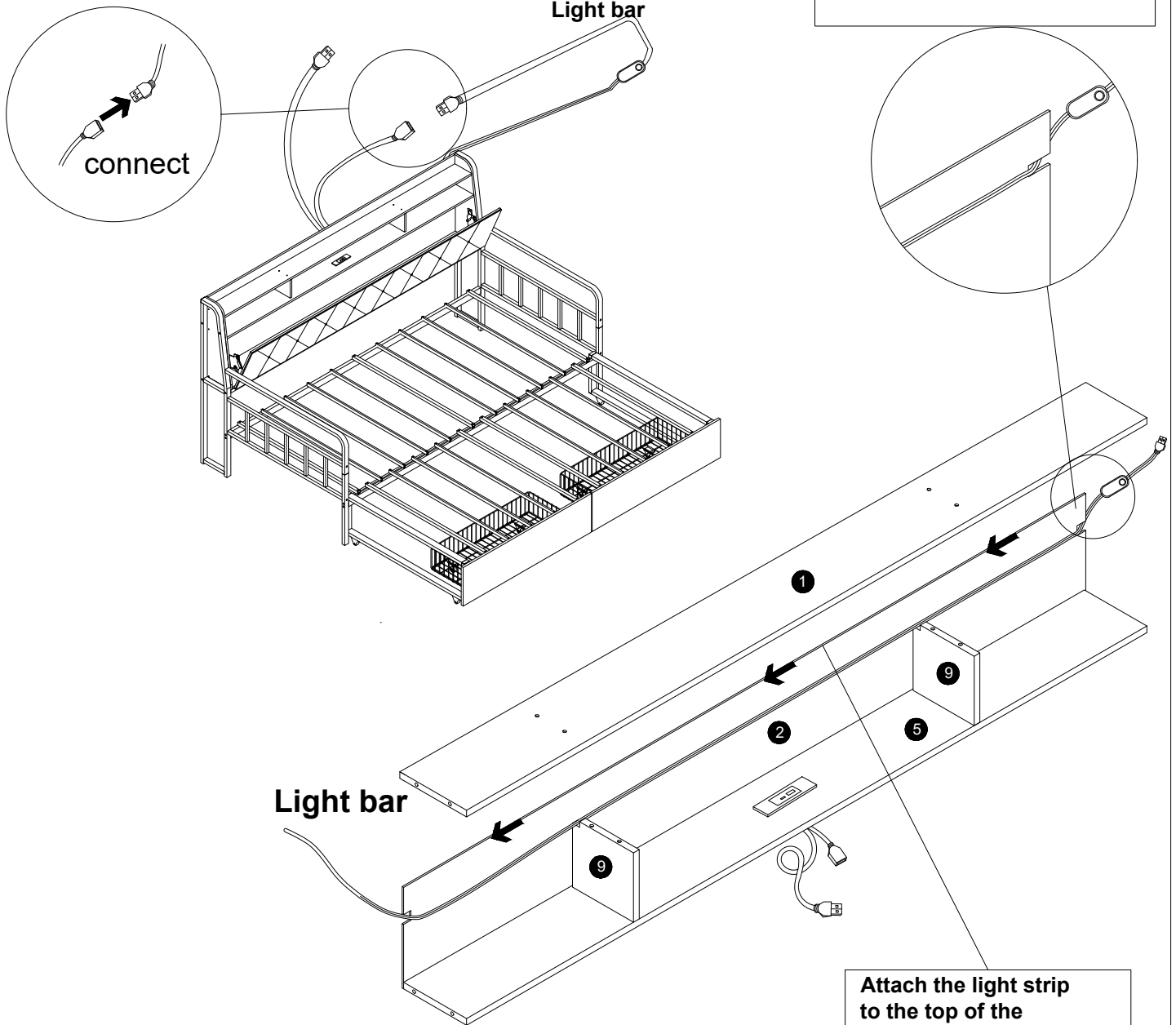


# Assembly Instruction

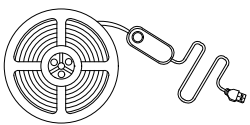
28

EN: Remember to use a light strip, and the socket must be connected to a power source before use

EN: Thread the LED strip through the pre-drilled hole

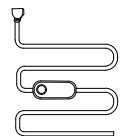


Attach the light strip to the top of the interior of the cabinet



Light bar

Pull out and unfold



Light bar

The unfolded light strip has a light strip surface on one side and a adhesive backing on the other side

# Assembly Instruction

29

