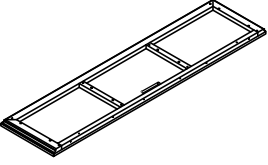
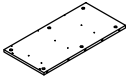
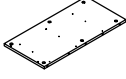
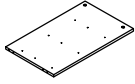
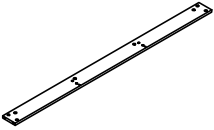
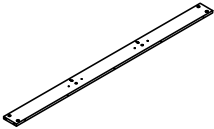
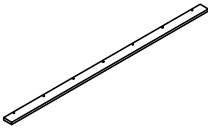
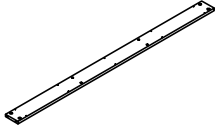
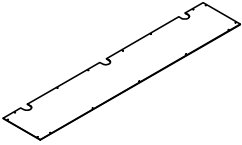
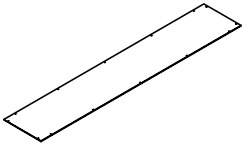


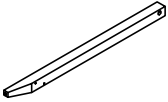
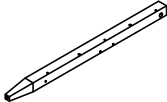
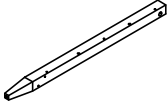
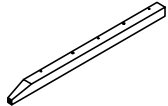
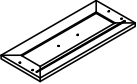

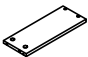

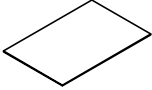
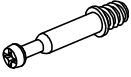


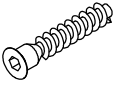
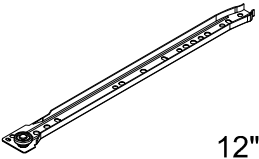
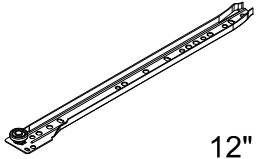
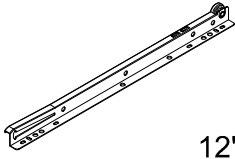
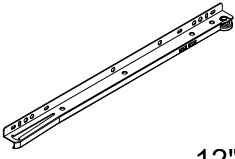




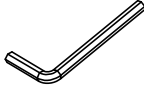
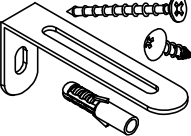
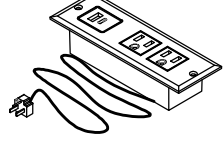



# Parts and Operation Elements

							
①	1pc	②	1pc	③	1pc	④	2pcs
							
⑤	1pc	⑥	1pc	⑦	1pc	⑧	1pc
							
⑨	1pc	⑩	1pc	⑪	2pcs	⑫	2pcs
							
⑬	1pc	⑭	1pc	⑮	1pc	⑯	1pc
							
⑰	9pcs	⑱	9pcs	⑲	9pcs	⑳	9pcs
							
㉑	9pcs						

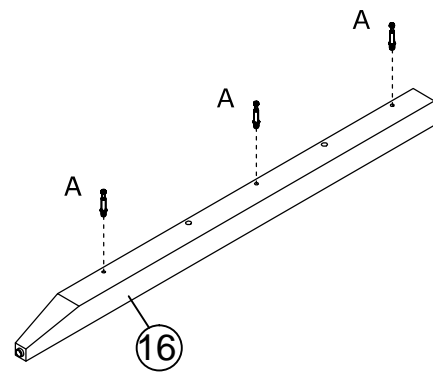
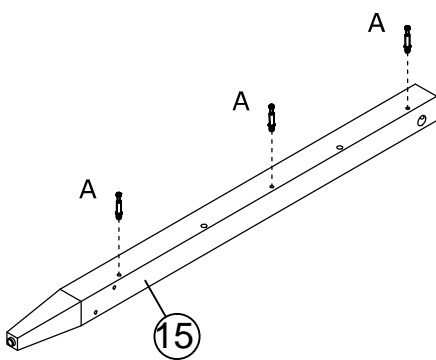
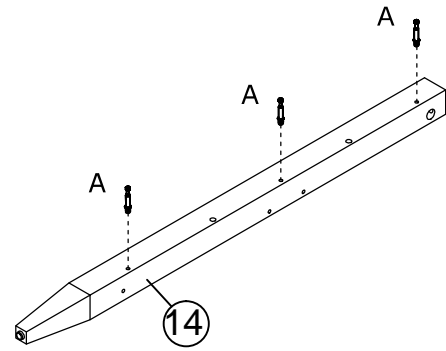
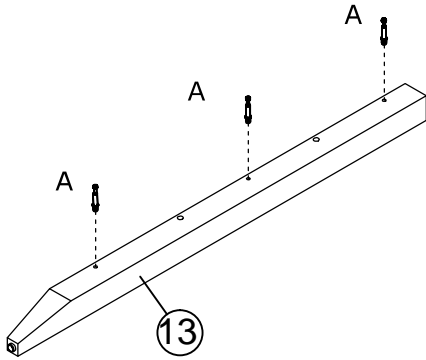
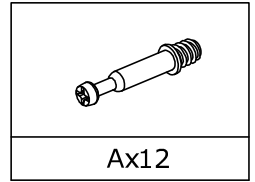
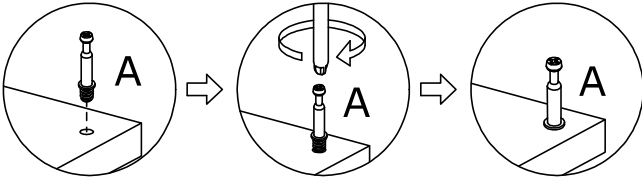
# Hardware

			
Cam Bolt	Ø15x9mm Cam Lock	Ø8x30mm Dowel	M6x40mm Screw
(A) 82pcs <sup>+2pcs</sup>	(B) 82pcs <sup>+2pcs</sup>	(C) 19pcs <sup>+2pcs</sup>	(D) 16pcs <sup>+2pcs</sup>
			
12"	12"	12"	12"
CL 9pcs	CR 9pcs	DL 9pcs	DR 9pcs
			
Ø3.5x14mm Screw	Ø3.5X12mm	Ø4X35mm	
(J) 108pcs <sup>+4pcs</sup>	(K) 29pcs <sup>+2pcs</sup>	(L) 36pcs <sup>+2pcs</sup>	(M) 9pcs
			
M4			
(N) 1pc	(P) 2pcs	(Q) 1pc	(R) 82pcs

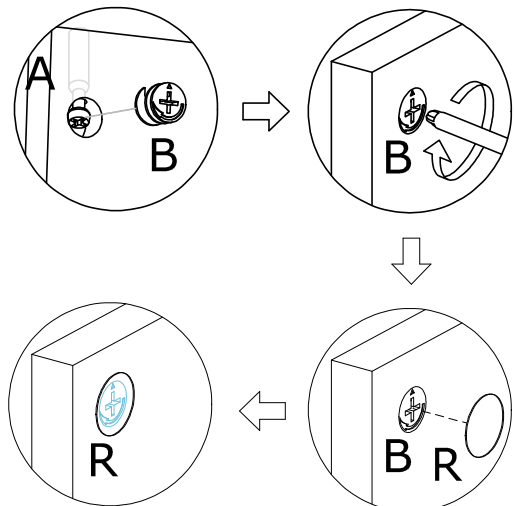
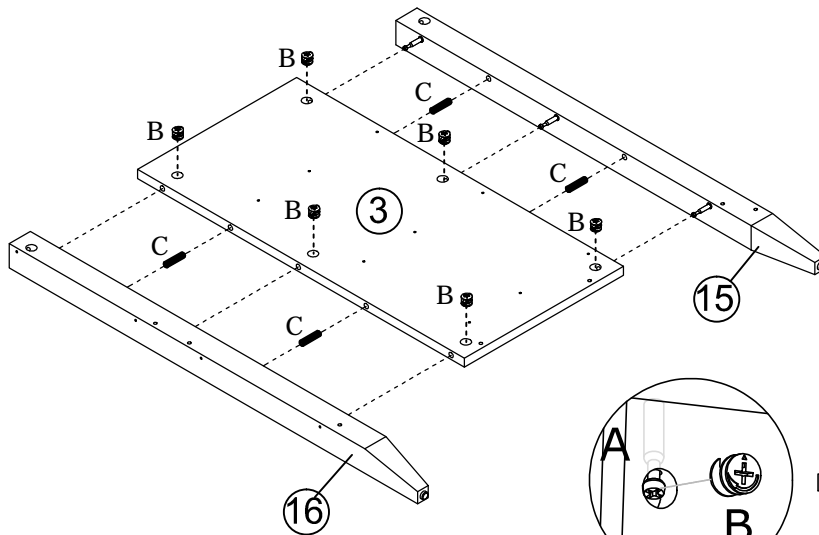
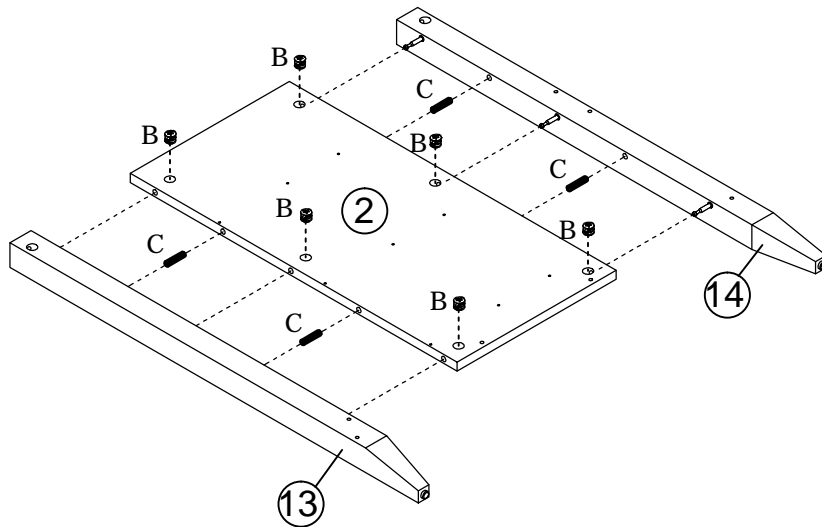
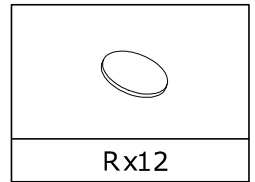
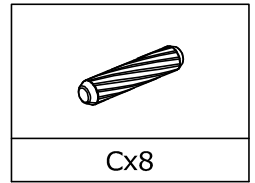
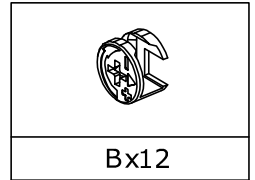


Tips: The number after "+" represents the spare hardware.

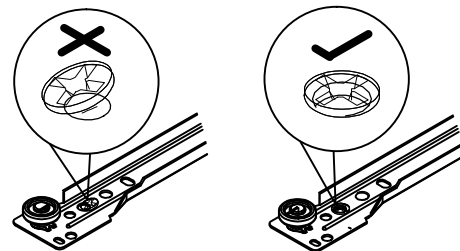
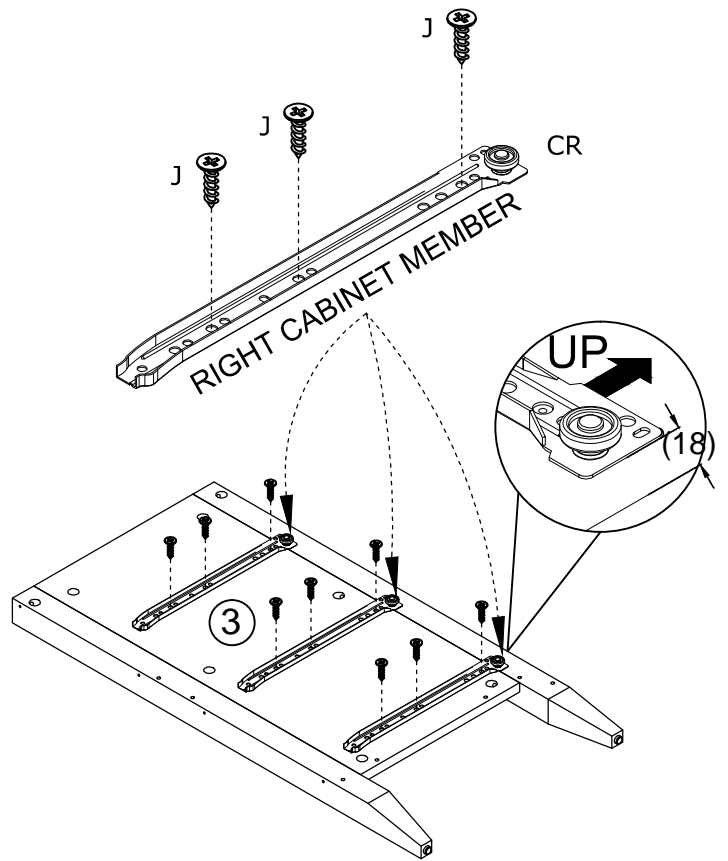
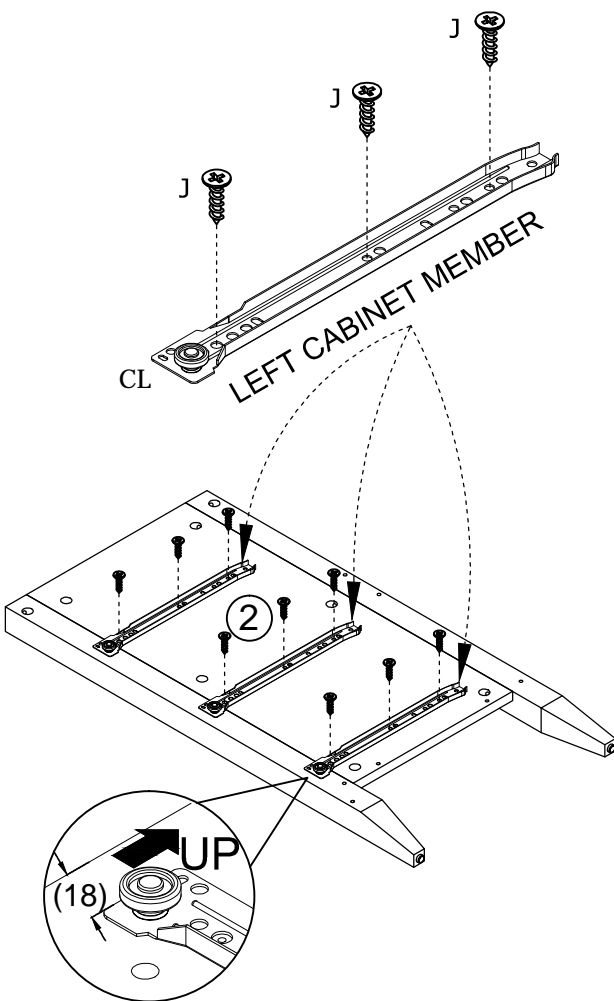
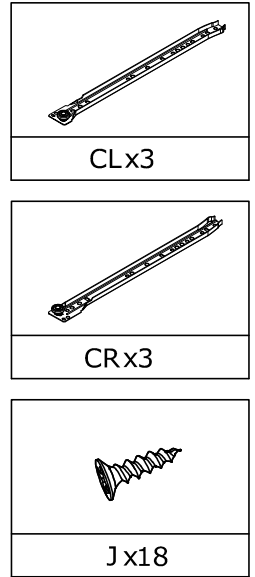
1



2



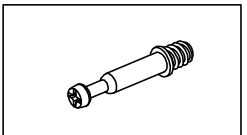
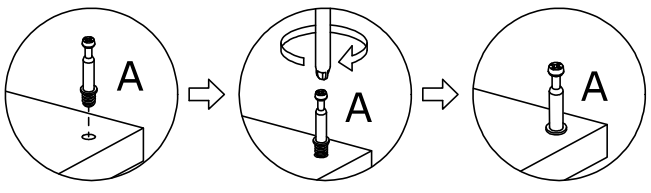
3



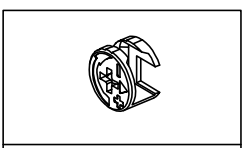
Please make sure that the screw is VERTICAL so as not to affect the sliding of the drawer.



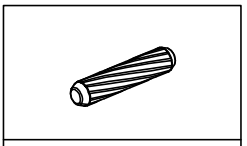
5



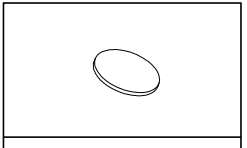
Ax6



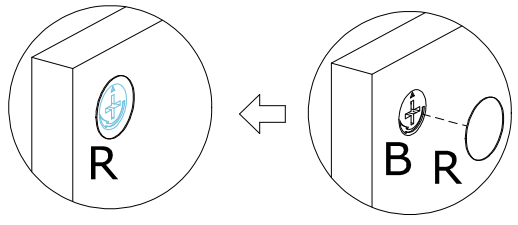
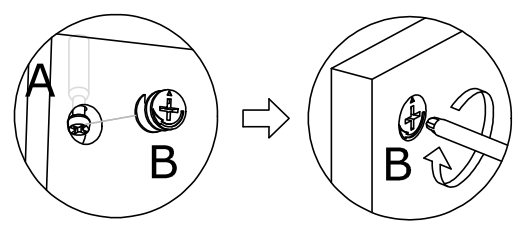
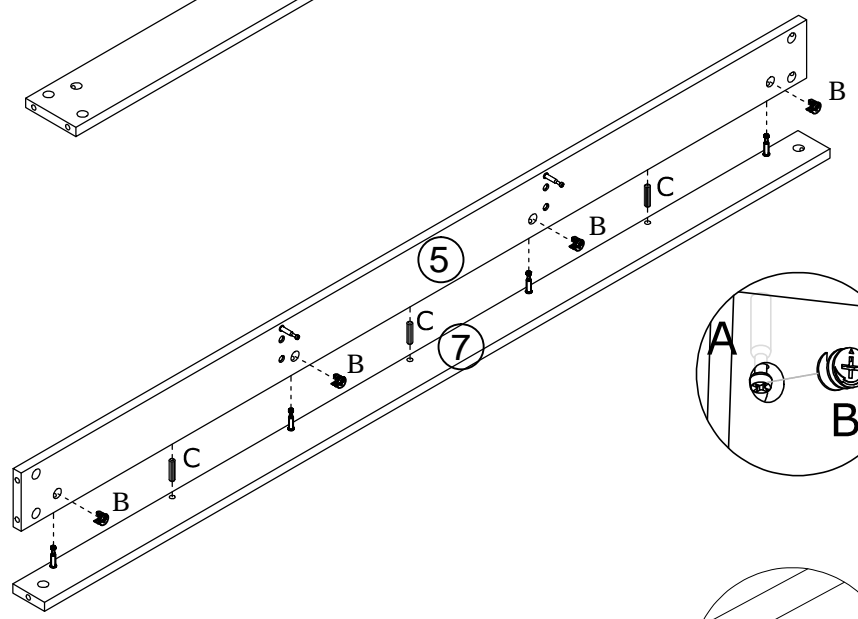
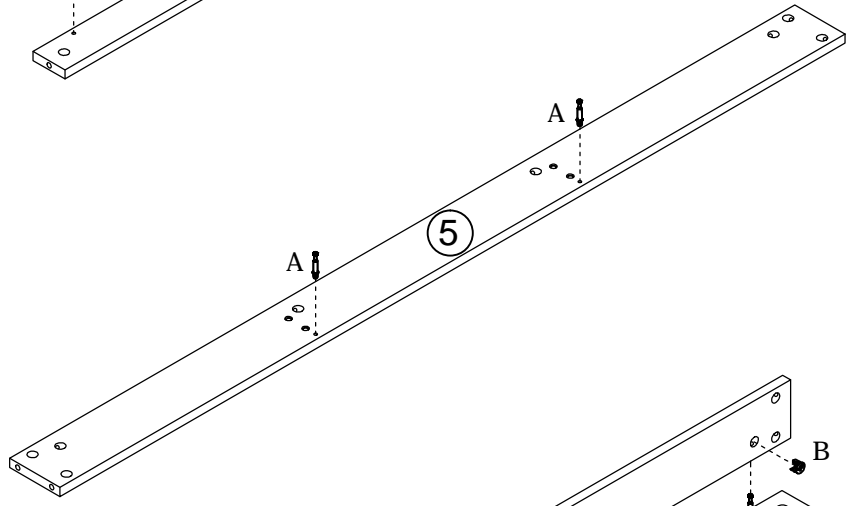
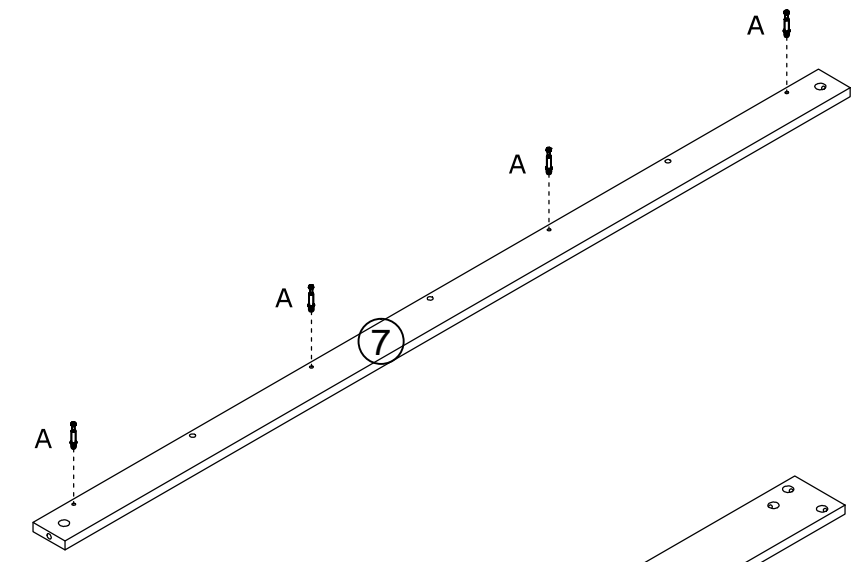
Bx4



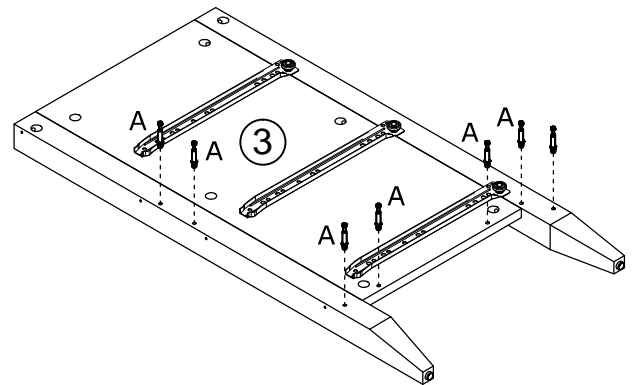
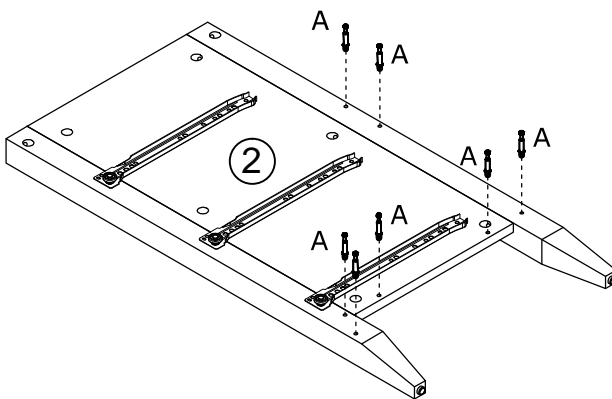
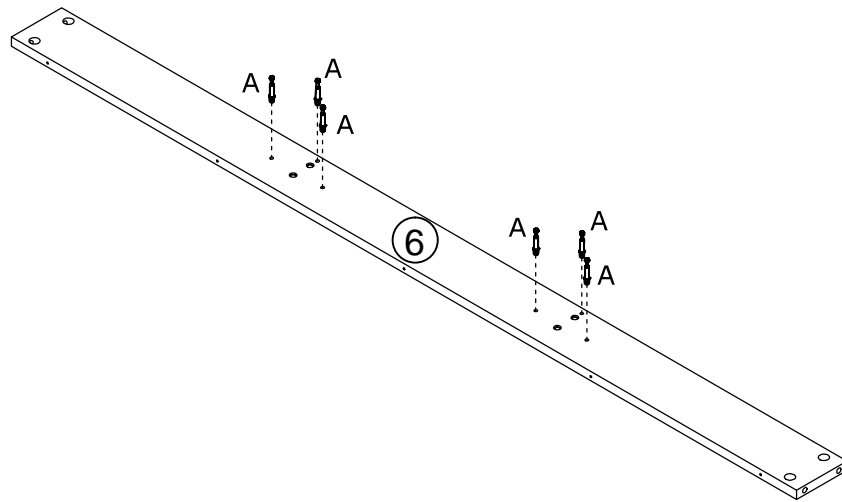
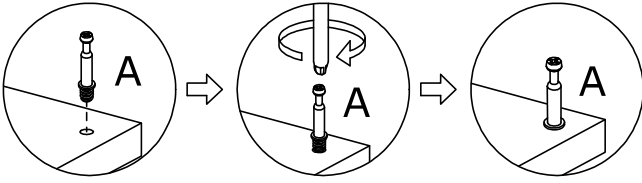
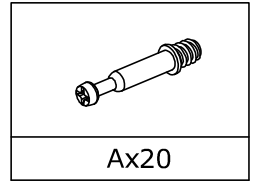
Cx3



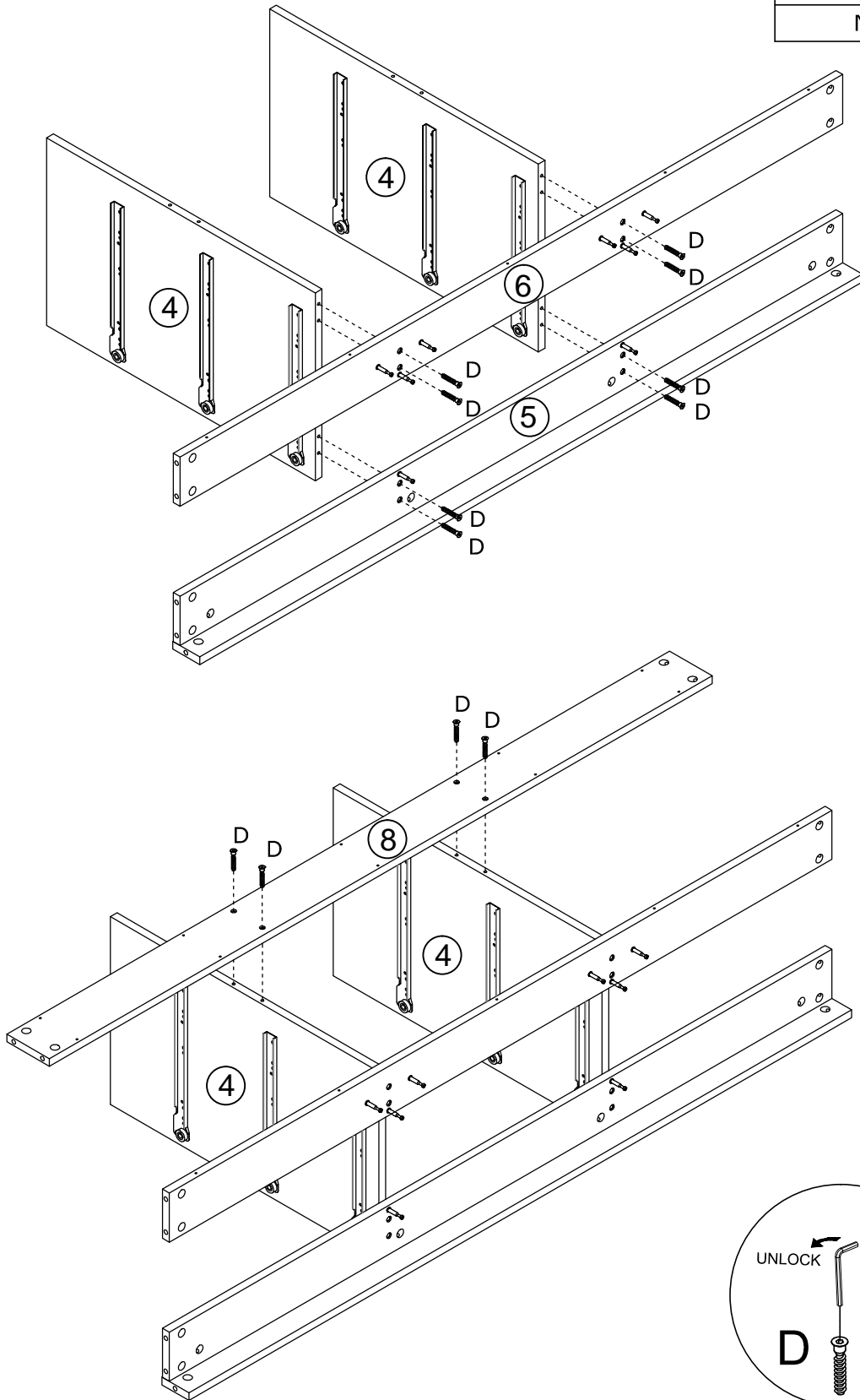
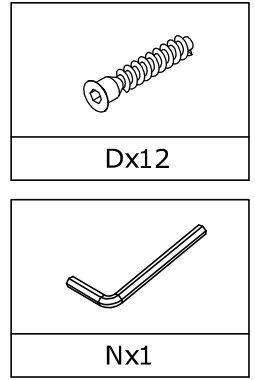
Rx4



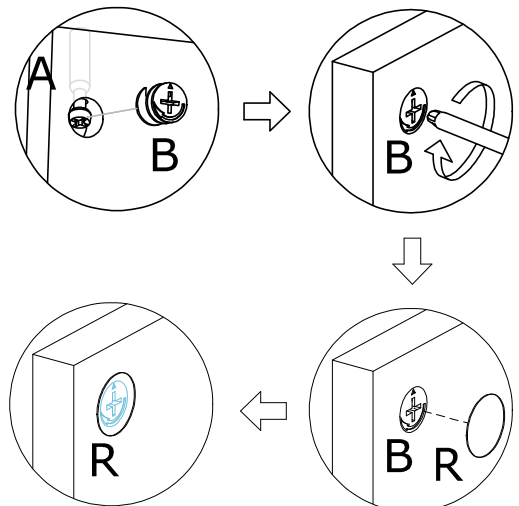
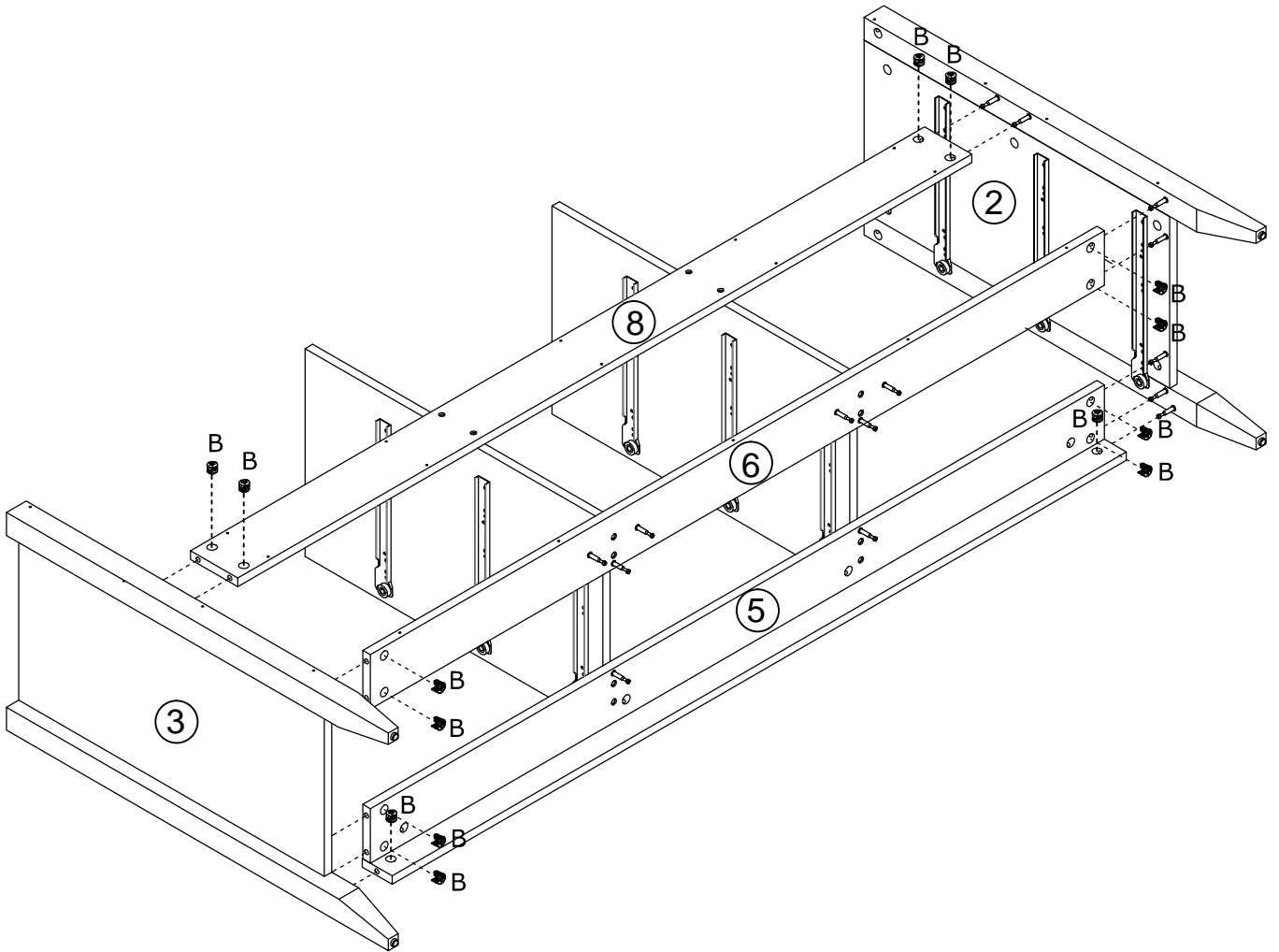
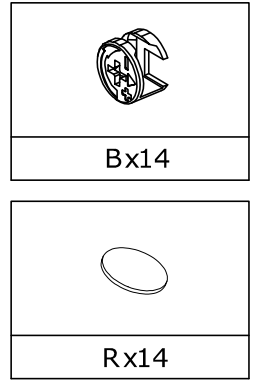
6



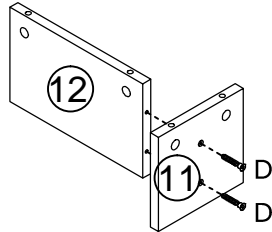
7



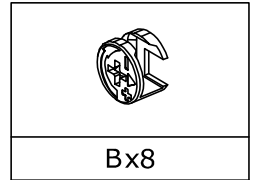
8



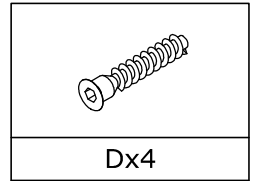
9



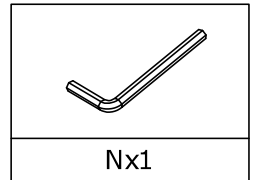
X2



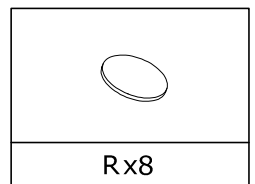
Bx8



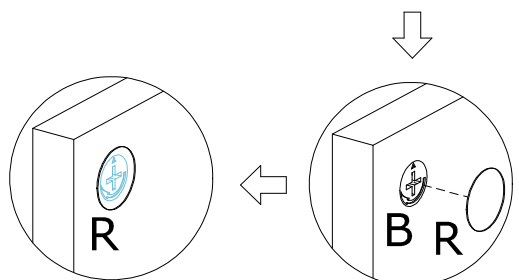
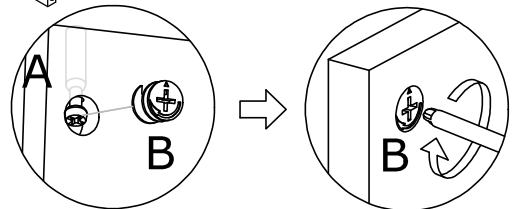
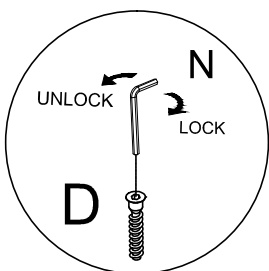
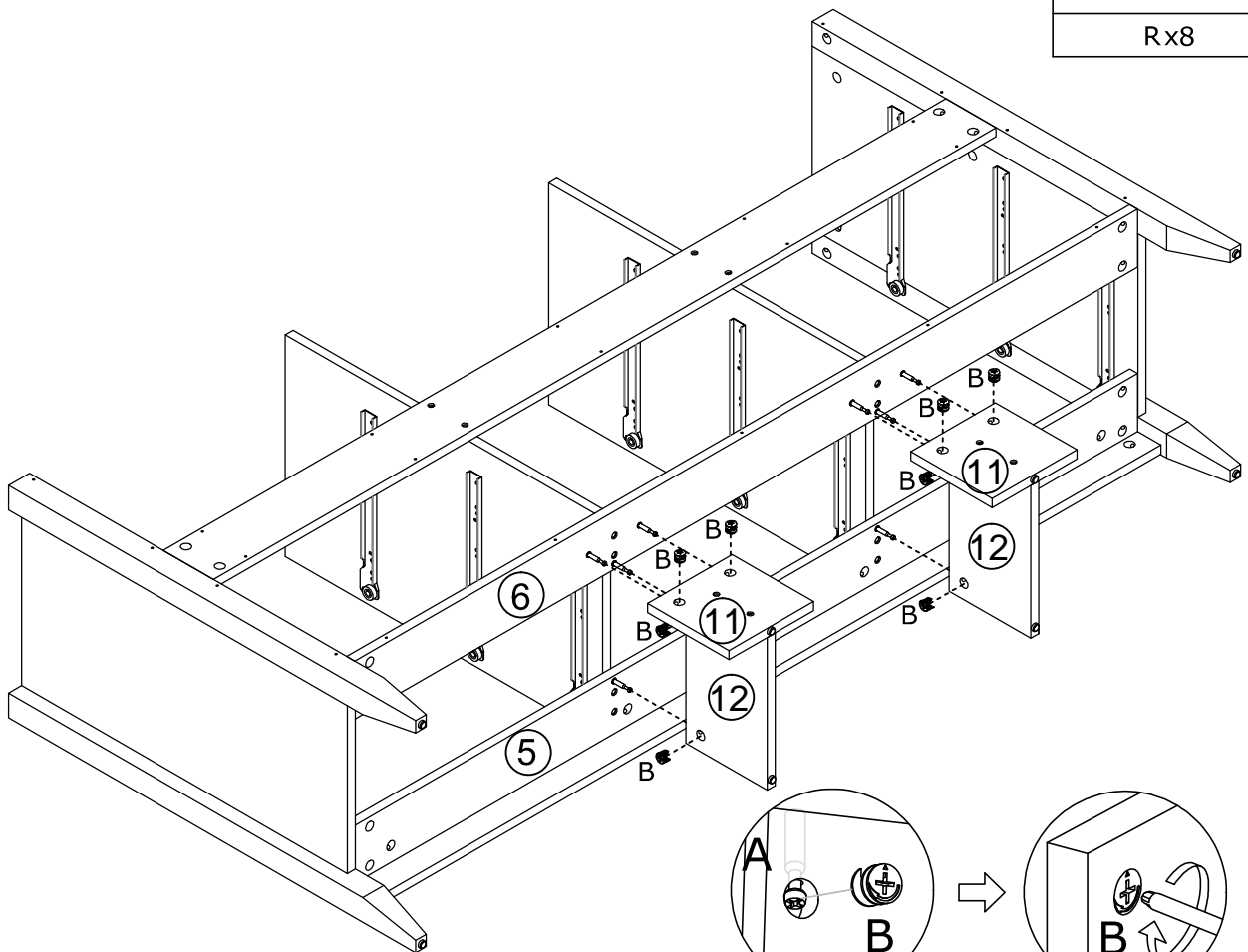
Dx4



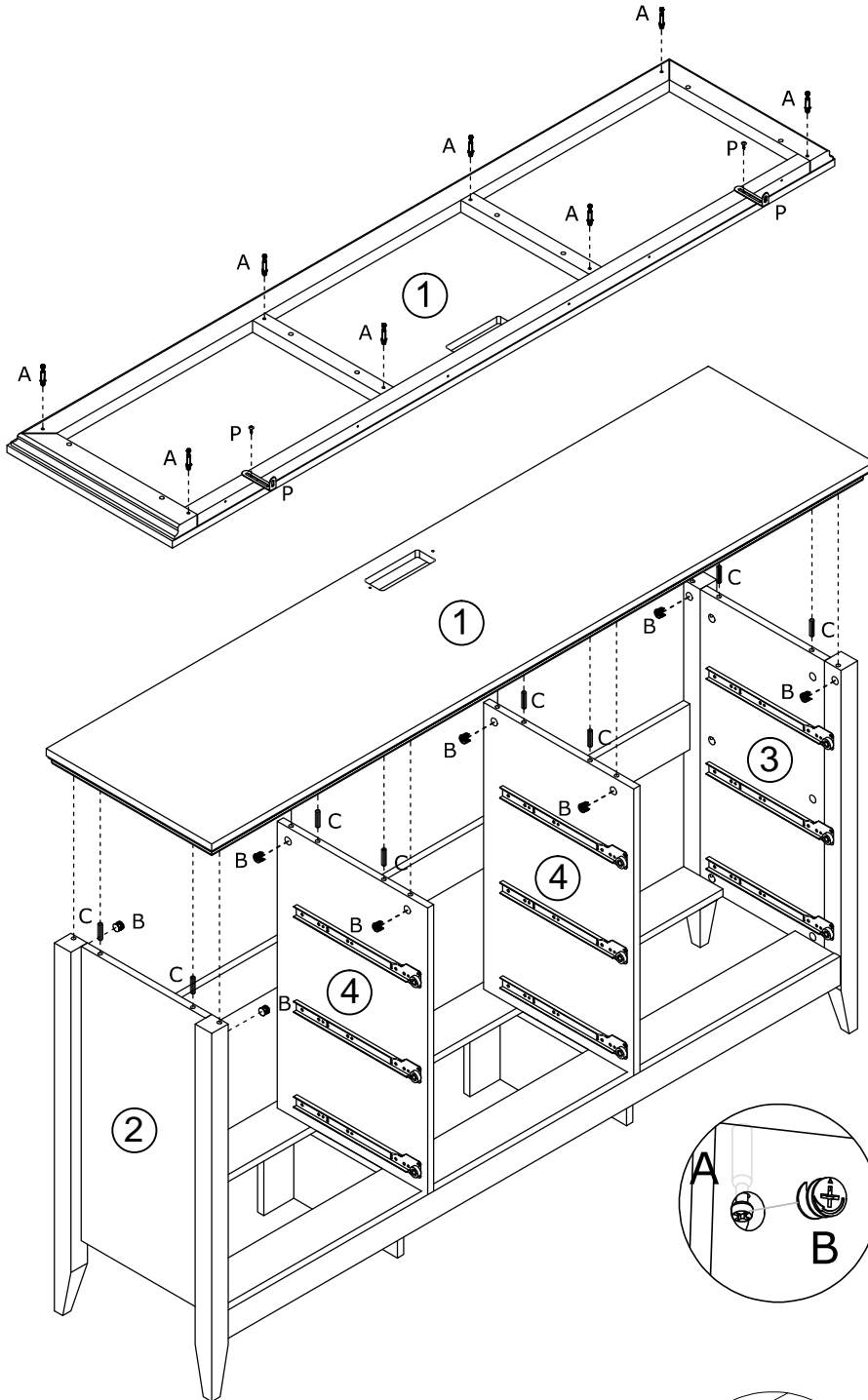
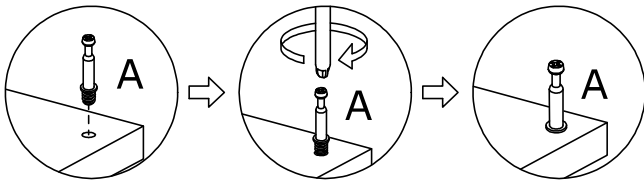
Nx1

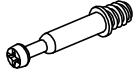


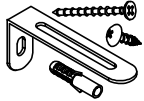



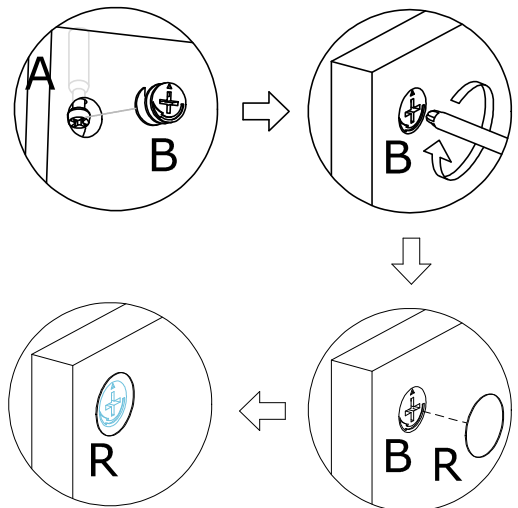
Rx8



10

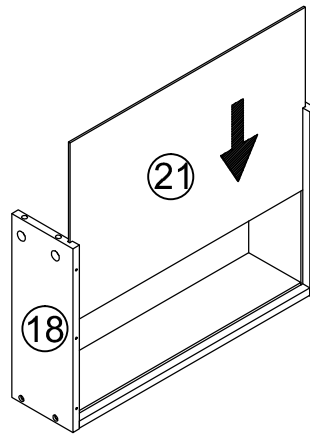
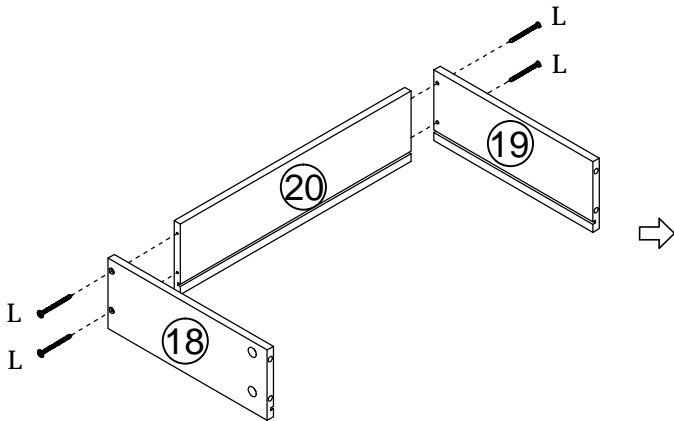
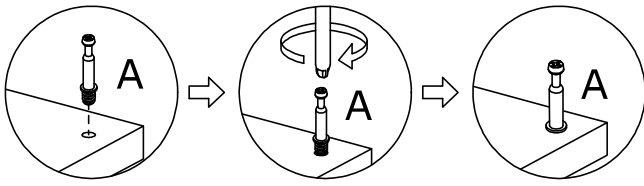


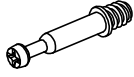




-   
Ax8
-   
Bx8
-   
Cx8
-   
Px2
-   
Rx8

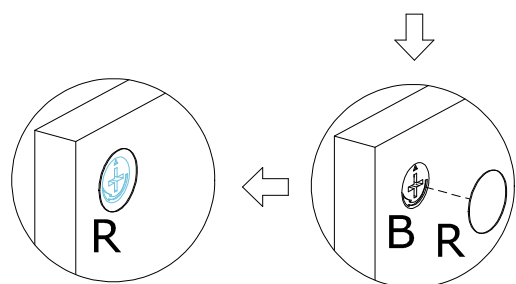
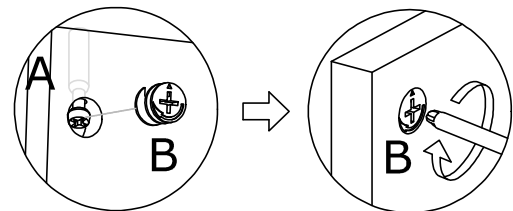
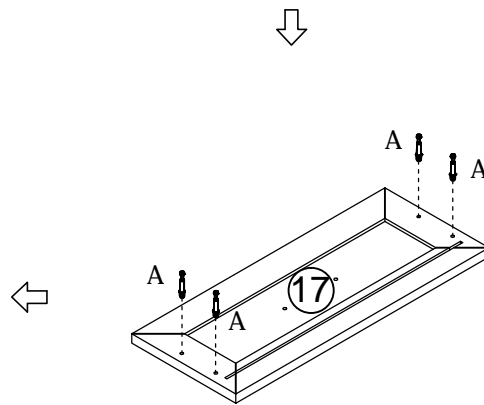
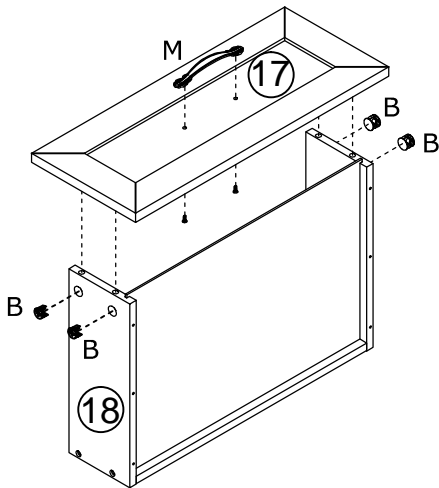




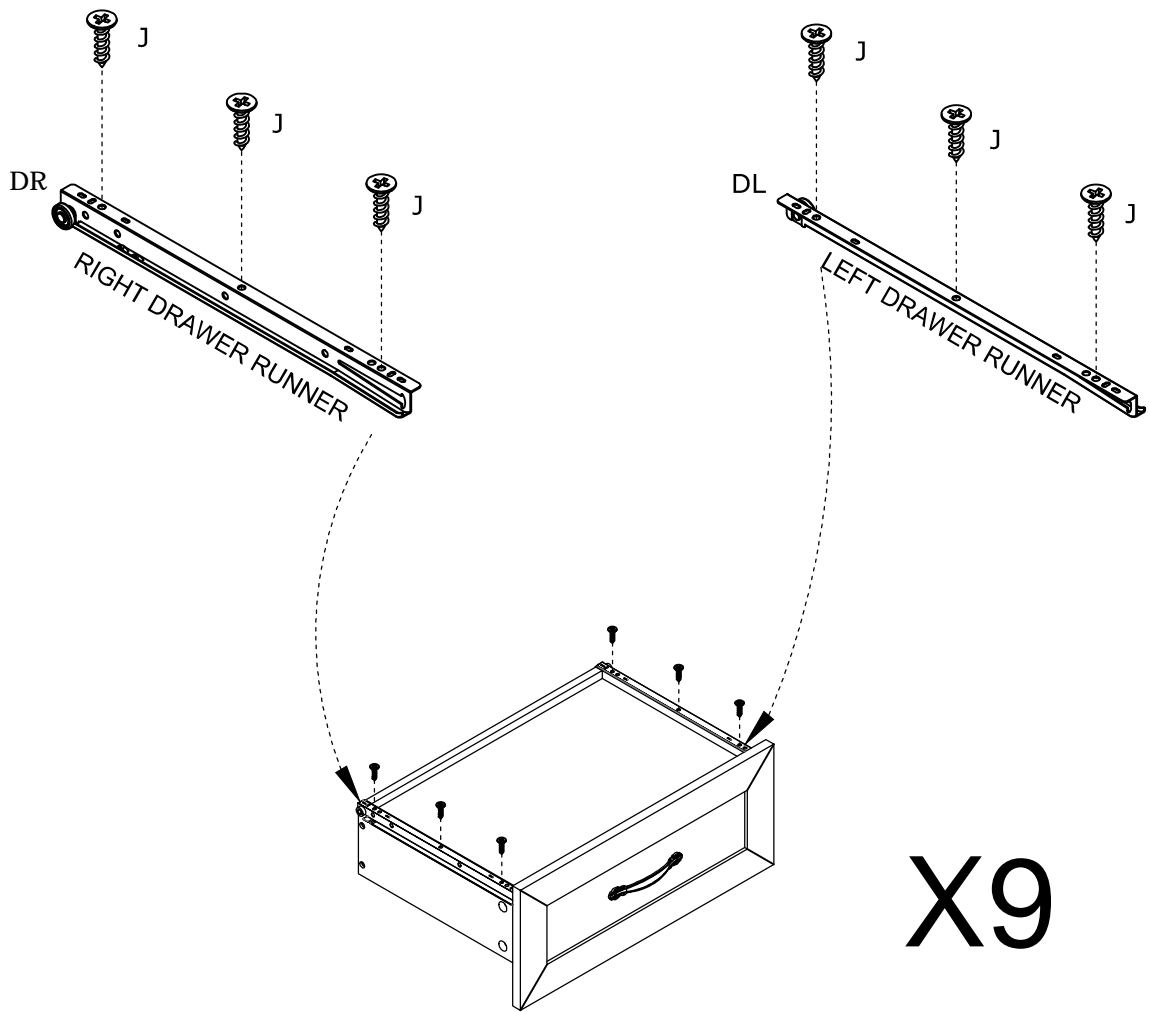
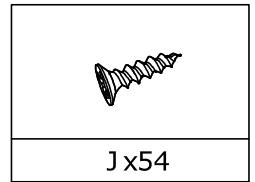
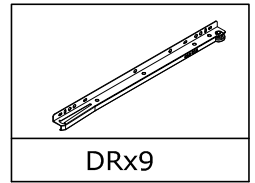
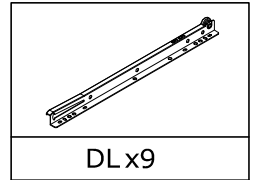
12



-   
Ax36
-   
Bx36
-   
Lx36
-   
Mx9
-   
Rx36

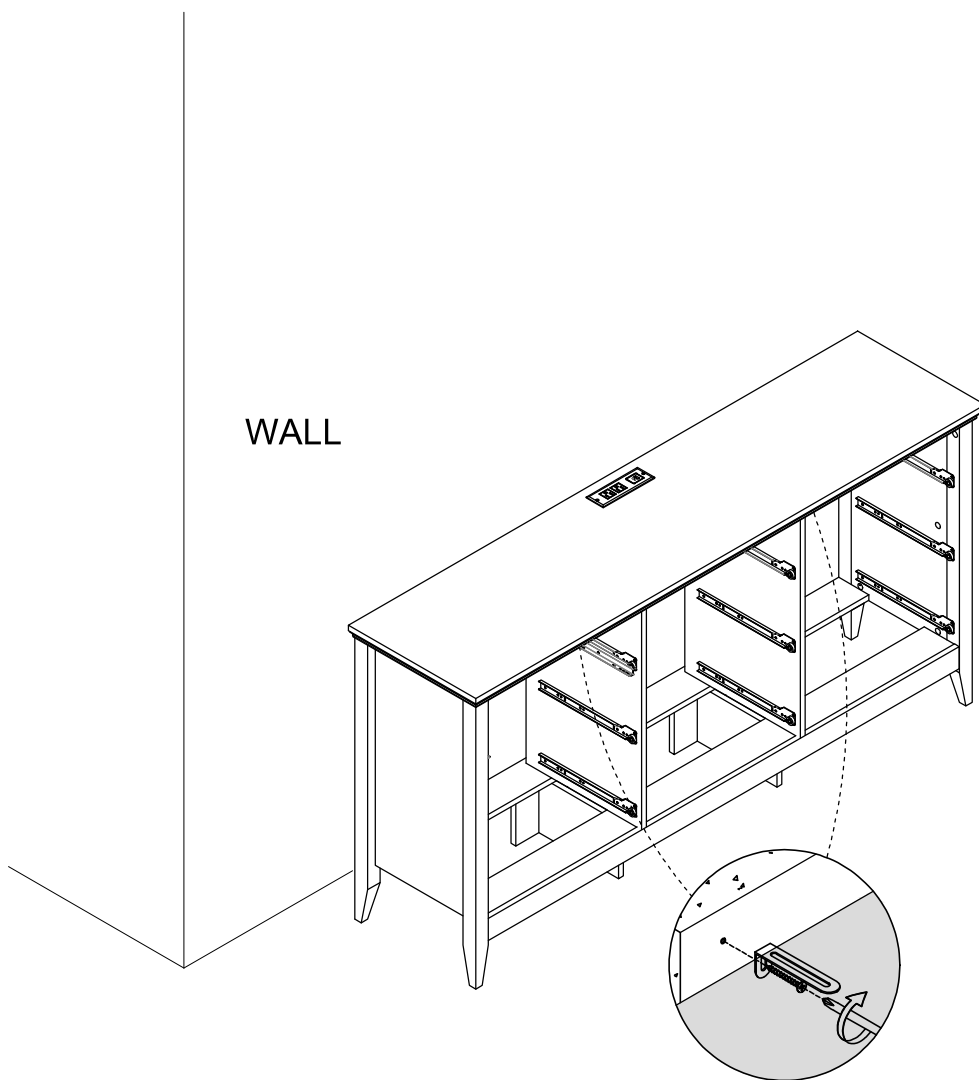
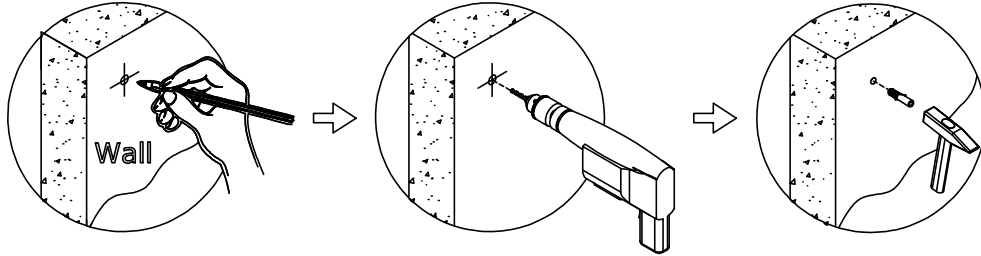
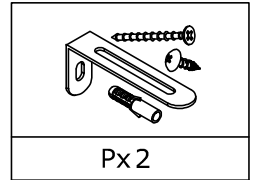


13

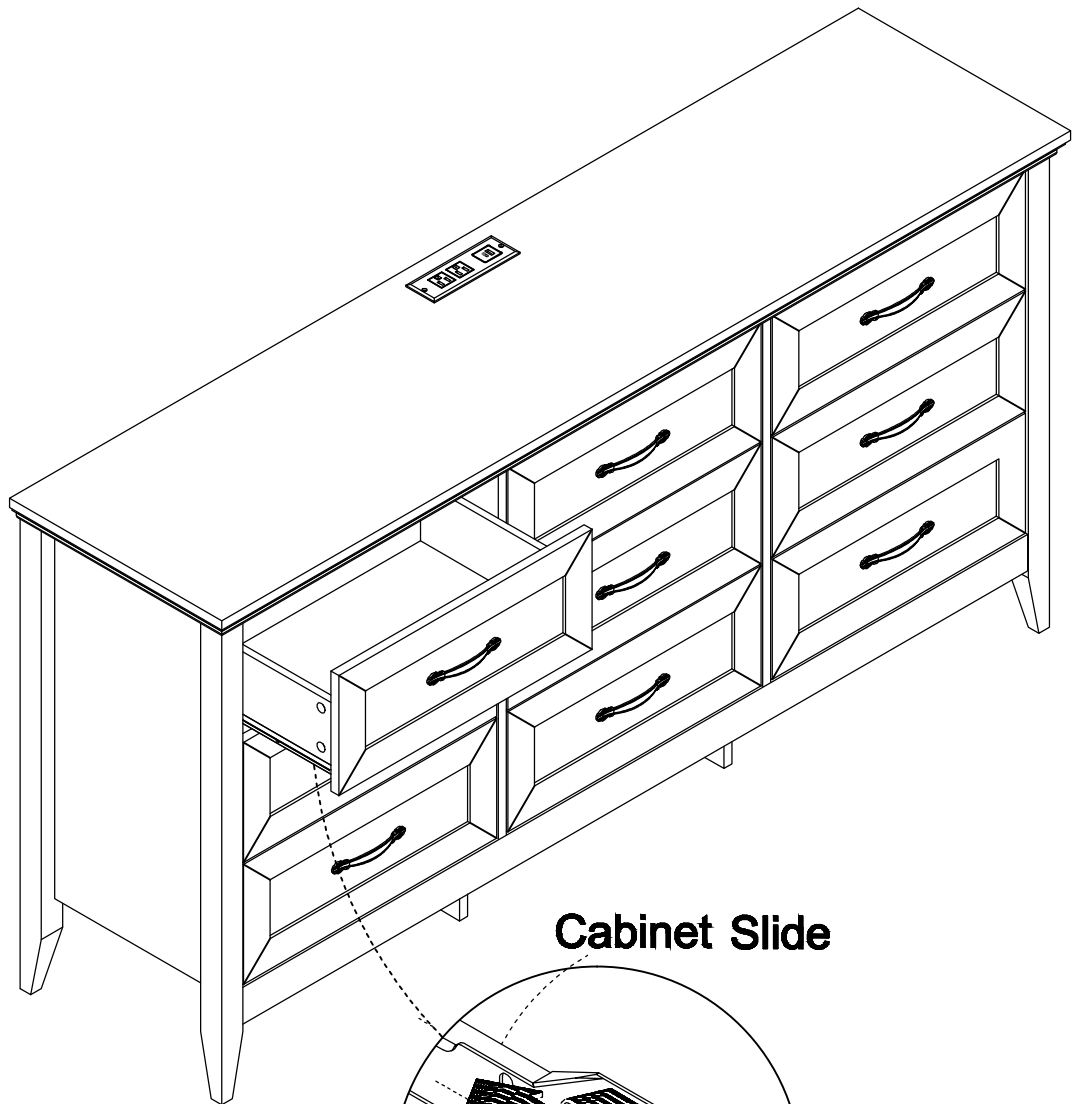


14

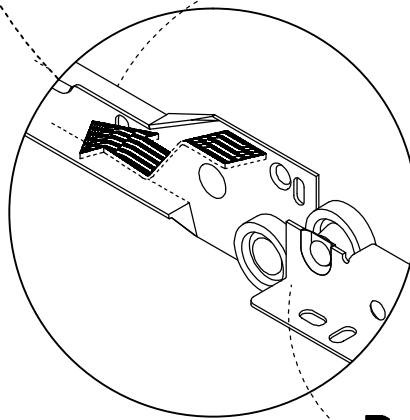
Attention: For safety and stability, we suggest you have to secure the anti-tip accessories to the wall to prevent tipping, injury, and properly damage.



15



**Cabinet Slide**



**Drawer Slide**