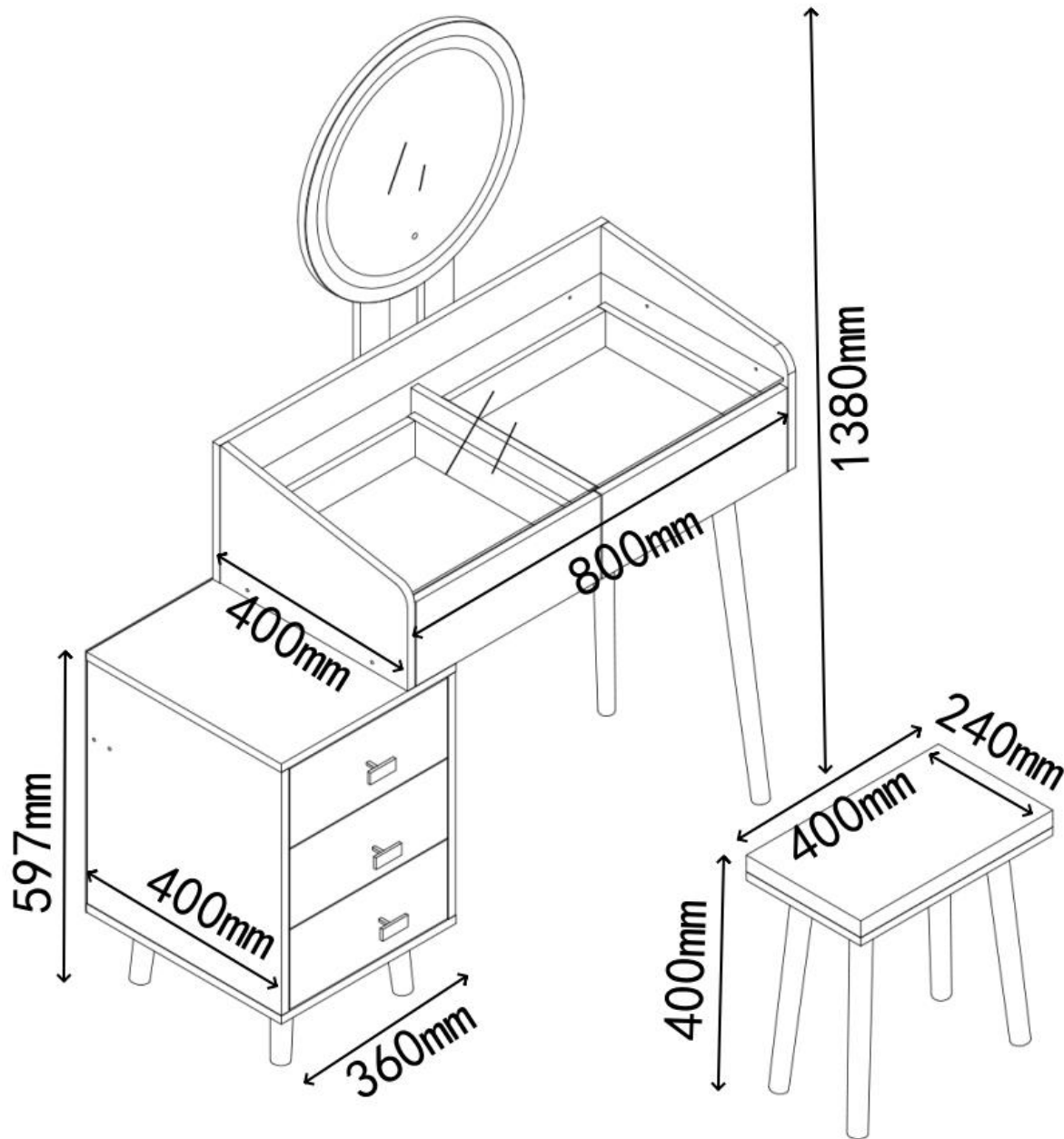



Dressing table with Mirror and stool

Assembly Instructions – Please keep for future reference



Dimensions	No. people	Assembly Time	OW #
Width: 106cm Depth: 40cm Height: 138cm		60 mins (approx.)	A

Important

- PLEASE READ THESE INSTRUCTIONS FULLY BEFORE STARTING ASSEMBLY
- PLEASE DO NOT THROW THE PACKAGING AWAY UNTIL YOU ARE SATISFIED WITH PURCHASE, GOODS NEED TO BE RETURNED IN ORIGINAL PACKAGING.

Safety and Care Advice

Important

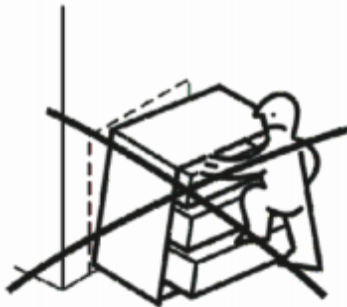
- PLEASE READ THESE INSTRUCTIONS FULLY BEFORE STARTING ASSEMBLY
- PLEASE DO NOT THROW THE PACKAGING AWAY UNTIL YOU ARE SATISFIED WITH PURCHASE, GOODS NEED TO BE RETURNED IN ORIGINAL PACKAGING.

- Check you have all the components and tools listed on pages 4 and 5.
- Remove all fittings from the plastic bags and separate them into their groups.
- Keep children and animals away from the work area, small parts could choke if swallowed.
- Make sure you have enough space to lay out the parts before starting.
- Do not stand or put weight on the product, this could cause damage.
- Assemble the item as close to its final position (in the same room) as possible.
- Assemble on a soft, level surface to avoid damaging the unit or your floor.
- We do not recommend the use of power drill/drivers for inserting screws, as this could damage the unit. Only use hand screwdrivers.
- Dispose of all packaging carefully and responsibly.



Warnings

CHILD SAFETY



CLIMBING MAY RESULT IN SERIOUS INJURY

ANCHOR AND PROTECT A CHILD

Use of anti-tip kit is required

- Place heaviest items in the lowest drawers.
- Useless specifically designed to accommodate, do not set TVs or other heavy objects on top of this product.
- Never allow children to climb or hang on drawers, doors or shelves.
- Never open more than one drawer at a time.
- Do not defeat or remove the drawer interlock system.
- Use of tip-over restraints may only reduce, but not eliminate, the risk of tip-over.

Care and Maintenance

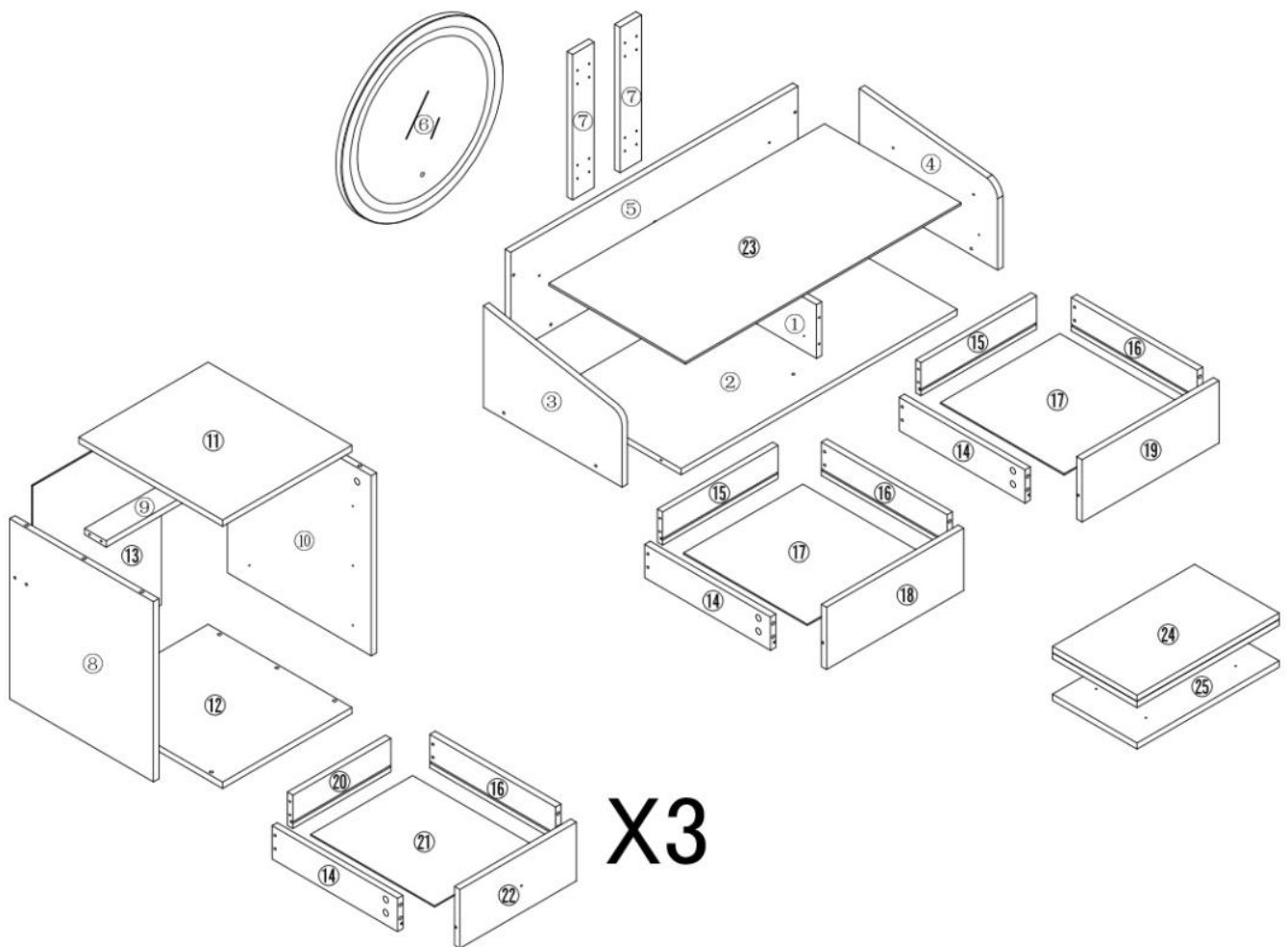
- Only clean using a damp cloth and mild detergent, do not use bleach or abrasive cleaners.
- From time to time check that there are no loose screws on this unit.
- This product should not be discarded with household waste. Take to your local authority waste disposal centre.

If kept outside please ensure in the winter months that the product is correctly covered or put away into a dry environment to prevent corrosion, weathering or damage.

If your product is not designed to be outside, we recommend that it is always kept indoors in a dry environment.

If you are unhappy with the product and wish to return it, please follow the retailer's returns procedure.

Exploded View



Components - Panels

Please check that you have all the components listed below before constructing your item.

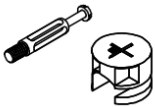




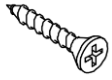

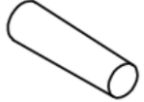





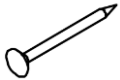
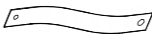


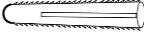

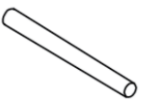


Part No	Description	Qty	Size (mm)	Thickness (mm)
1	PARTITION PANEL	1	128.5*368	15
2	BOTTOM PANEL	1	768*368	15
3	LEFT SIDE PANEL	1	245*385	15
4	RIGHT SIDE PANEL	1	245*385	15
5	BACK PANEL	1	800*245	15
6	MIRROR PANEL	1	470*470	15
7	MIRROR BOARD CONNECTOR PANEL	2	350*60	15
8	CABINET LEFT SIDE PANEL	1	433.5*400	15
9	CABINET CONNECTOR	1	328*60	15
10	CABINET RIGHT SIDE PANEL	1	433.5*400	15
11	CABINET TOP PANEL	1	360*400	15
12	CABINET BOTTOM PANEL	1	360*400	15
13	CABINET BOTTOM PANEL	1	463.5*358	3
14	DRAWER LEFT SIDE PANEL	5	350*80	15
15	BIG DRAWER STOPPER	2	321.5*80	15
16	DRAWER RIGHT SIDE PANEL	5	350*80	15
17	BIG DRAWER BOTTOM PANEL	2	331.5*344	3
18	LEFT BIG DRAWER FACE	1	381*150	15
19	RIGHT BIG DRAWER FACE	1	381*150	15
20	SMALL DRAWER STOPPER	3	273*80	15
21	SMALL DRAWER BOTTOM PANEL	3	283*344	3
22	SMALL DRAWER FACE	3	324*141.5	15
23	TABLE TOP GLASS COVER	1	767*380	5
24	STOOL CUSHION	1	400*240	32
25	STOOL TOP PANEL	1	395*235	15

Important – Please read these instructions fully before starting assembly

Components - Fixings

Please check that you have all the components listed below before constructing your item.

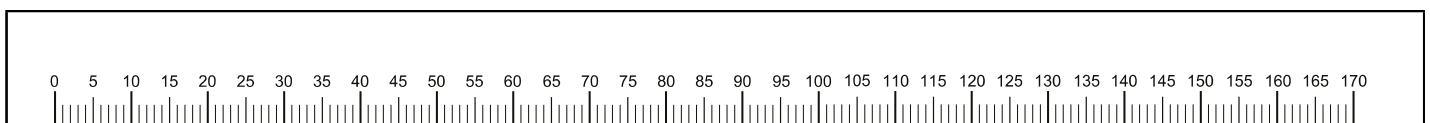
Note: The quantities below are the correct amount to complete the assembly. In some cases more fittings may be supplied than are required.

(A)	 24 PCS	(B)	8*40mm  6PCS	(C)	5*40mm  43 PCS	(D1)	350mm  5 SETS
(D2)	350mm  5 SETS	(E)	3.5*14mm  100 PCS	(F)	67*67mm  4PCS	(G)	120mm  4 PCS
(H)	600mm  3 PCS	(I)	22*4mm  3 PCS	(J)	2*12mm  8 PCS	(K)	 6 PCS
(L)	3.5*25mm  20 PCS	(M)	 30 PCS	(N1)	 2 PCS	(N2)	3.5*35mm  2 PCS
(N3)	3.5*14mm  2 PCS	(N4)	6*35mm  2 PCS	(O)	Φ 13  17 PCS	(P)	360mm  4 PCS
(Q)	 1 PC	(R)	 1 PC				

Tools Required



Ruler – Use this to measure your screws (mm)

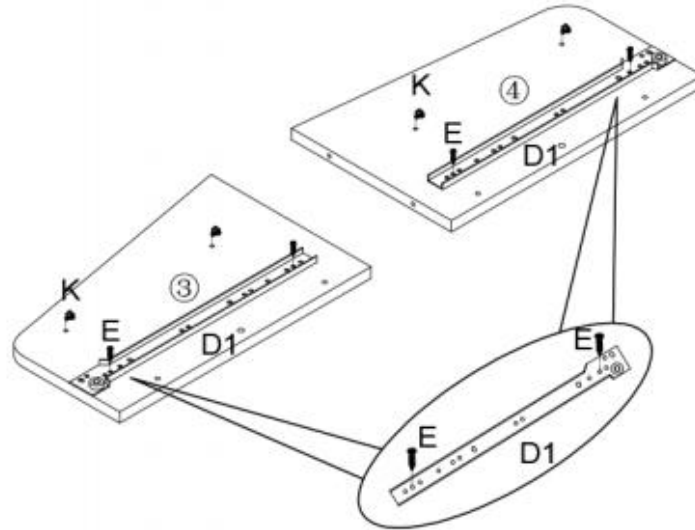


Important – Please read these instructions fully before starting assembly

Assembly Instructions

STEP 1

Fix part runner D1 on board ③ and ④, using screws E.
Fix 4pcs part K on board ③ and ④

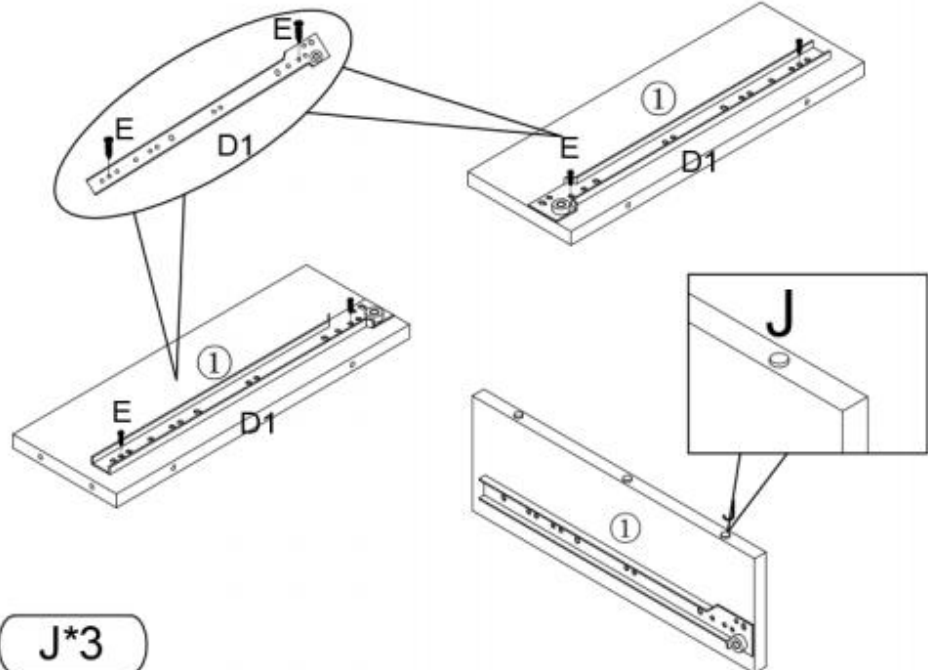


K*4
D1*1 E*4

Panel Required	Qty
③	1
④	1

STEP 2

Fix part runner D1 on both sides of board ①, using screws E, and fix part J

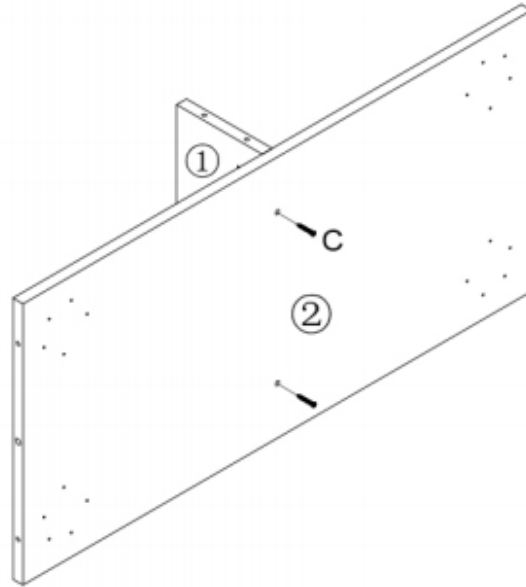


J*3
D1*1 E*4

Panel Required	Qty
①	1

STEP 3

Connect board ① to board ②, using screws C

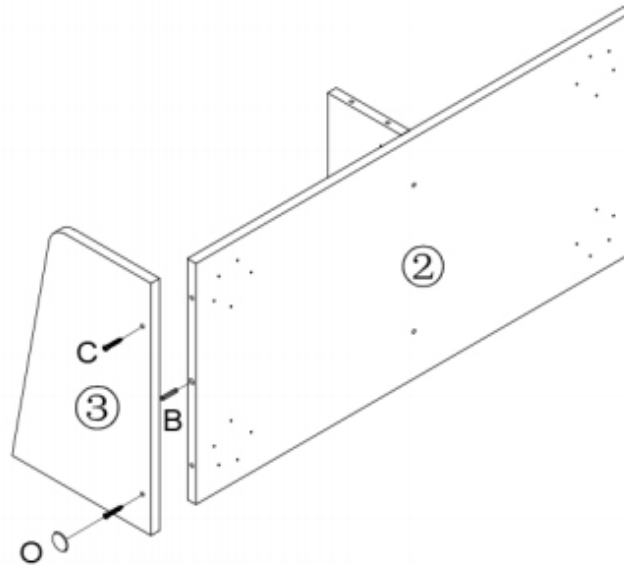


C*2

Panel Required	Qty
②	1
①	1

STEP 4

Connect board ③ to board ②, using screws C and B, and cover screw top with part O



O*2

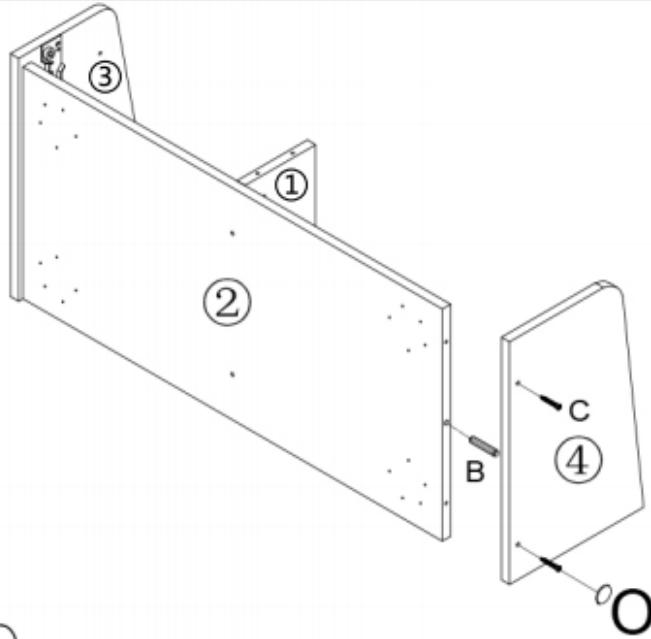
B*1

C*2

Panel Required	Qty
②	1
③	1

STEP 5

Connect board ④ to board ②, using screws C and B, and cover screw top with part O



O*2

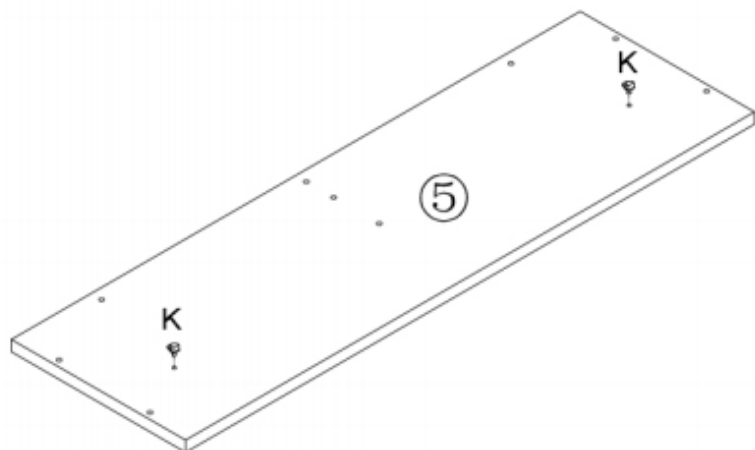
B*1

C*2

Panel Required	Qty
②	1
④	1

STEP 6

Fix 2 pcs part K on board ⑤, using screws E

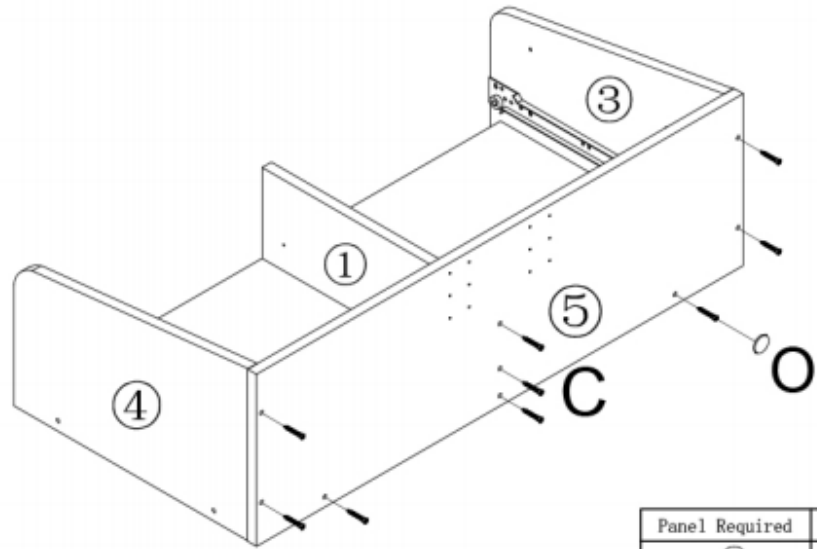


K*2

Panel Required	Qty
⑤	1

STEP 7

Connect board ⑤, using screws C, and cover with part O

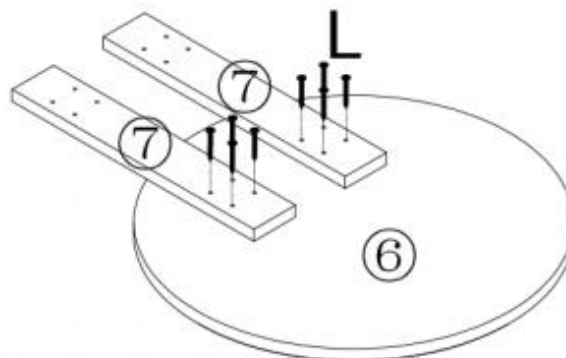


C*9 O*9

Panel Required	Qty
①	1
③	1
④	1
⑤	1

STEP 8

Connect 2 pcs board ⑦ to board ⑥, using screw L



L*8

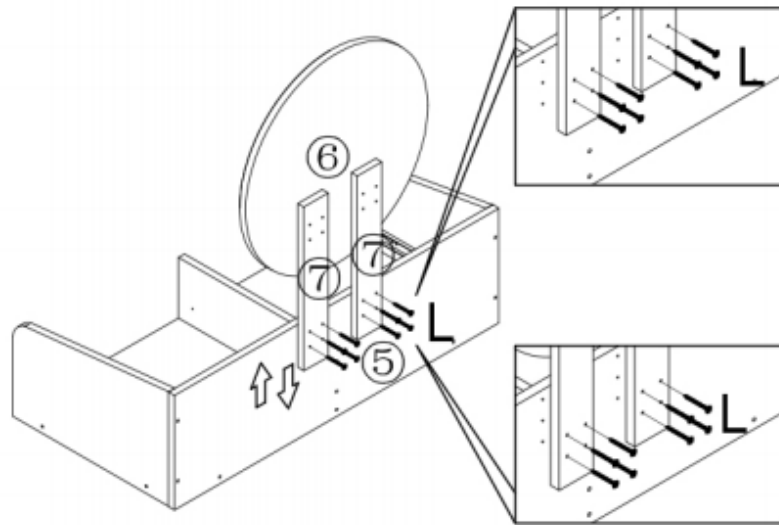
Panel Required	Qty
⑥	1
⑦	2

STEP 9

Connect 2 pcs board ⑦ to board ⑤, using screw L

NOTE

You can adjust mirror height by choose different holes a or b as picture showing

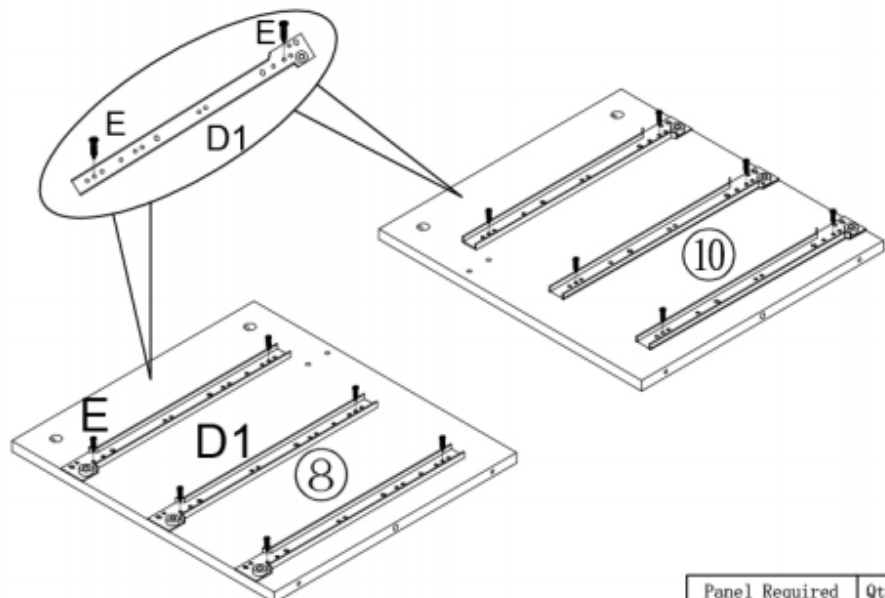


L*8

Panel Required	Qty
⑤	1
⑥	1
⑦	2

STEP 10

Fix 3 sets D1 on board ⑧ and ⑩, using screws E, please note the right hole

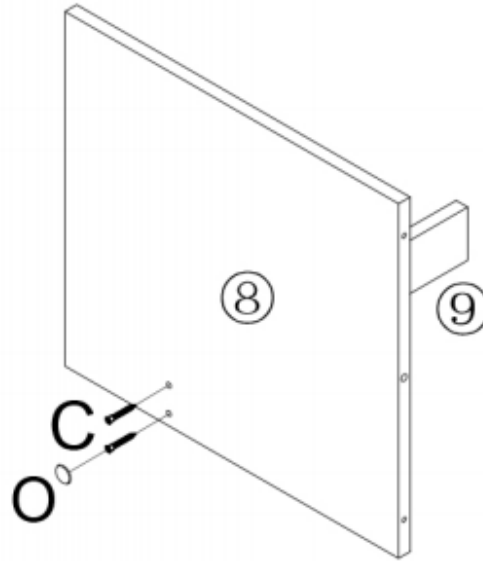


D1*3 E*12

Panel Required	Qty
⑧	1
⑩	1

STEP 11

Connect board ⑧ and ⑨, using screws C, and cover with part O



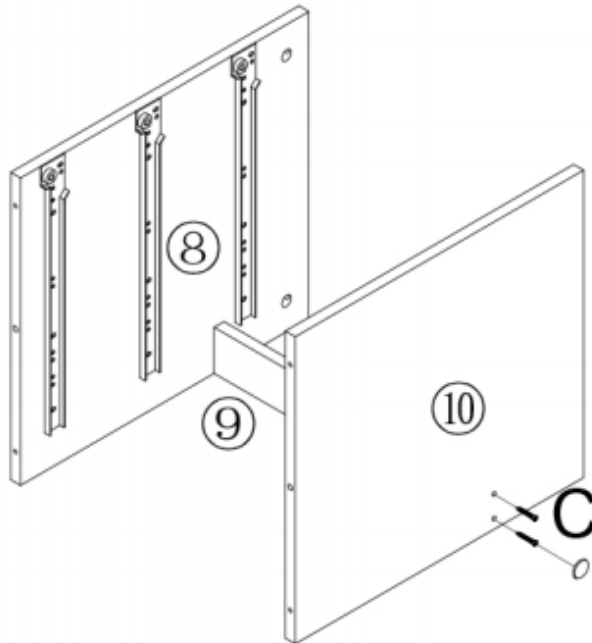
C*2

O*2

Panel Required	Qty
⑧	1
⑨	1

STEP 12

Connect board ⑩ and ⑨, using screws C, and cover with part O



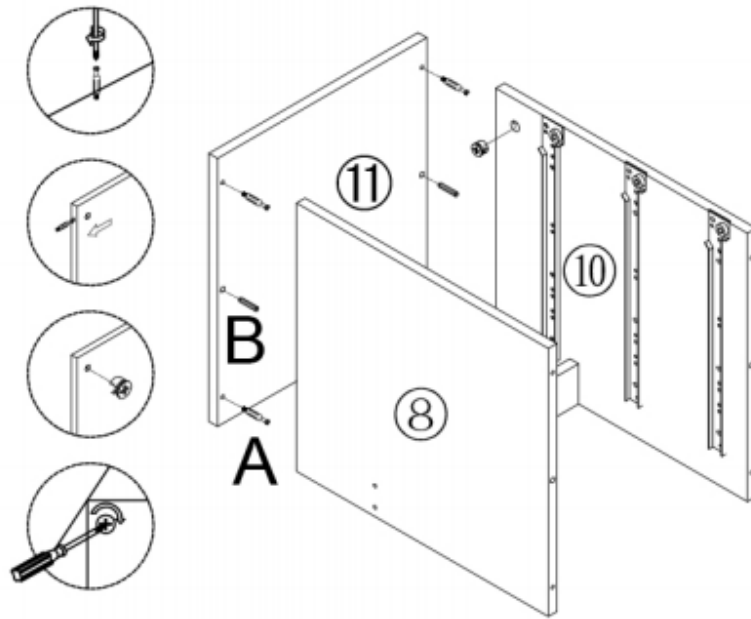
C*2

O*2

Panel Required	Qty
⑧	1
⑨	1
⑩	1

STEP 13

Connect board ⑪ with board ⑧ and ⑩, using screw A and B, please note the intall way of screw

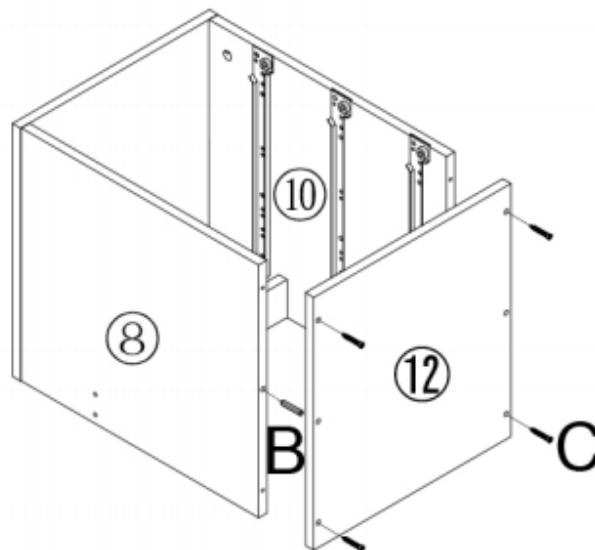


A*4 B*2

Panel Required	Qty
⑧	1
⑩	1
⑪	1

STEP 14

Connect board ⑫ with board ⑧ and ⑩, using screws C

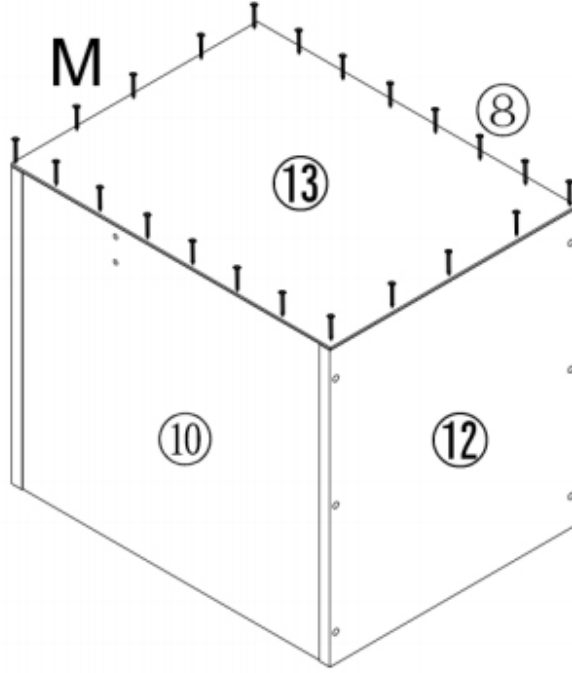


B*2 C*4

Panel Required	Qty
⑧	1
⑩	1
⑫	1

STEP 15

Fix board ⑬, using screws M

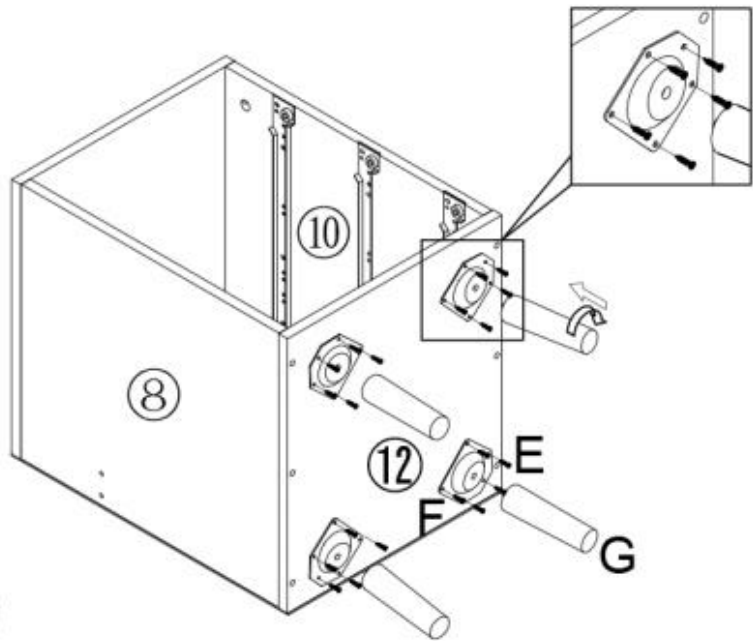


M*30

Panel Required	Qty
⑧	1
⑩	1
⑫	1
⑬	1

STEP 16

Fix 4 pcs part F, using screws E,
then screw part G into F



G*4

E*20

F*4

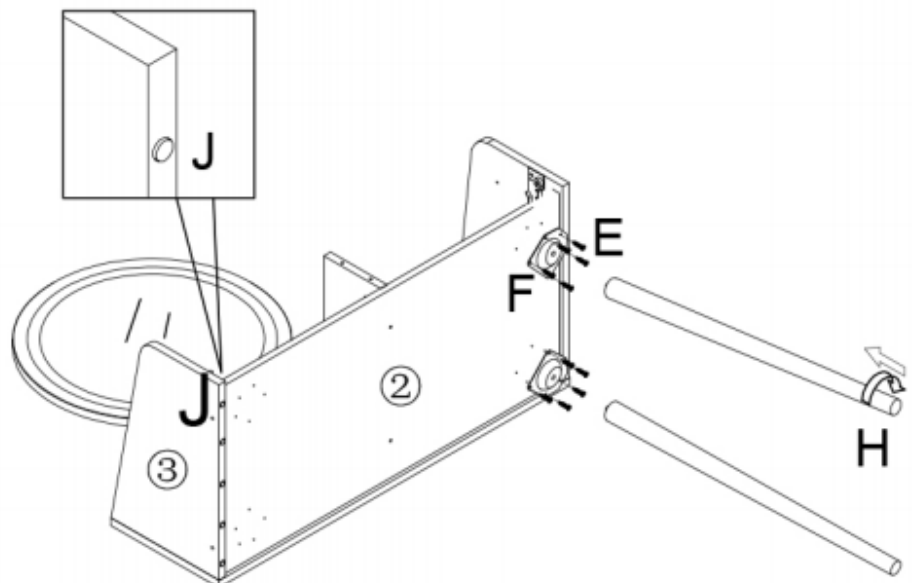
Panel Required	Qty
⑫	1

STEP 17

Put on part J, then fix 2 pcs part
F on board 2, using screws E,
then screw legs H into F

NOTE

If you want put the cabinet on
the left, please follow steps
17-18



H*2

J*5

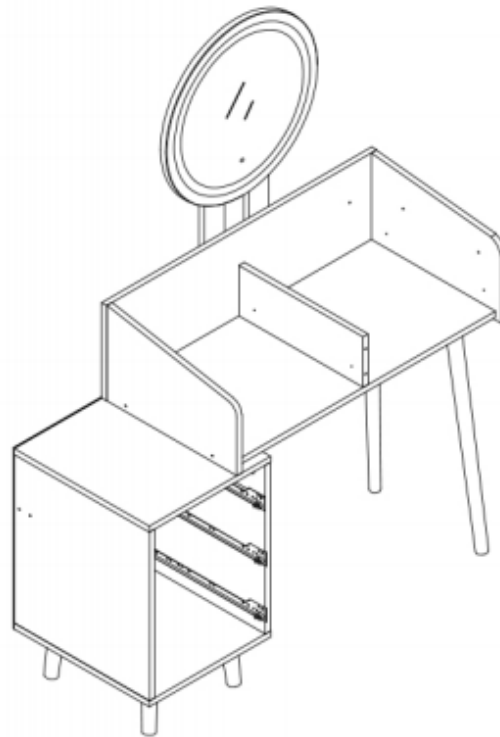
E*10

F*2

Panel Required	Qty
②	1
③	1

STEP 18

Put the table on the cabinet,
table on right side.

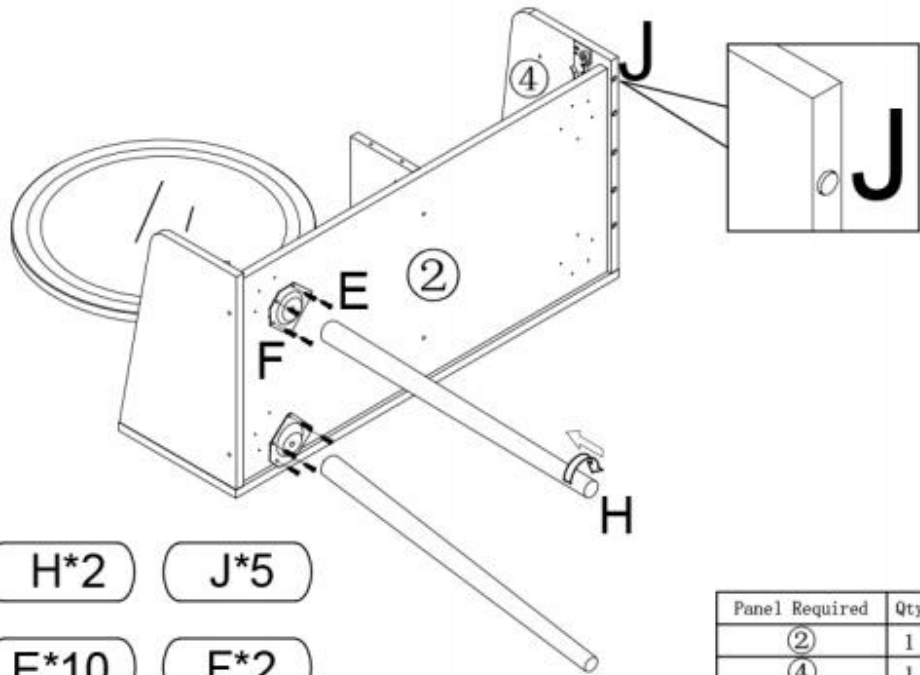


STEP 19

Put on part J, then fix 2 pcs part
F on board 2, using screws E,
then screw legs H into F

! **NOTE**

If you want put the cabinet on
the left, please follow steps
19-20

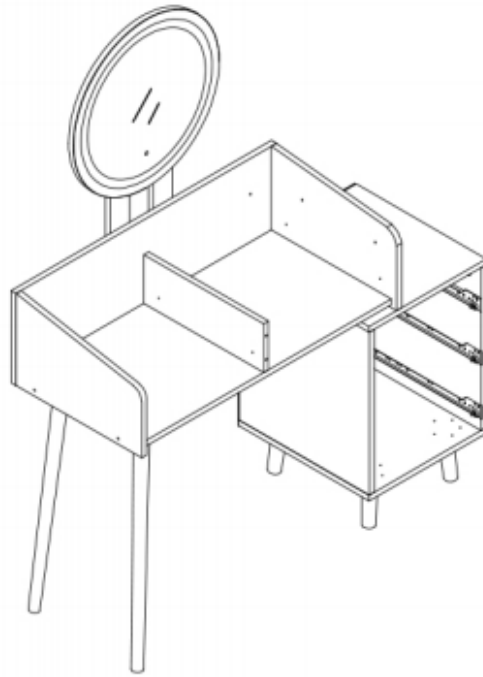


- H*2
- J*5
- E*10
- F*2

Panel Required	Qty
②	1
④	1

STEP 20

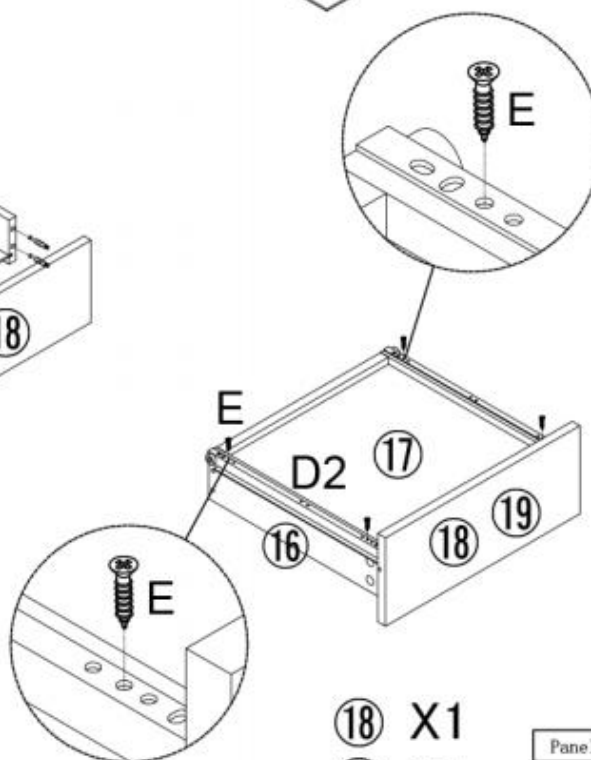
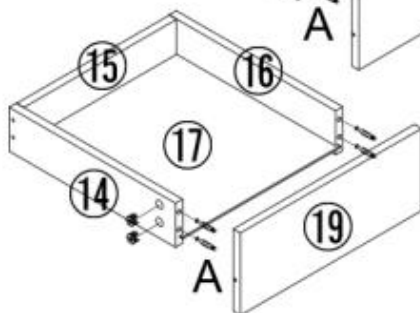
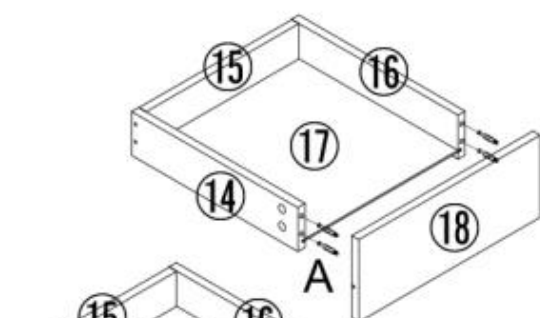
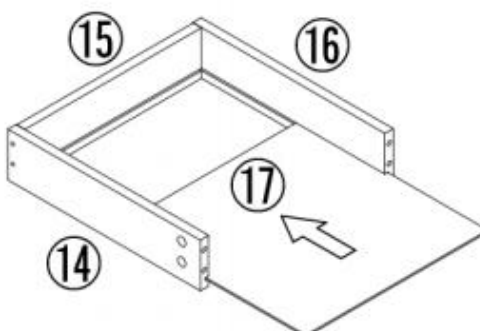
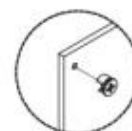
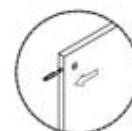
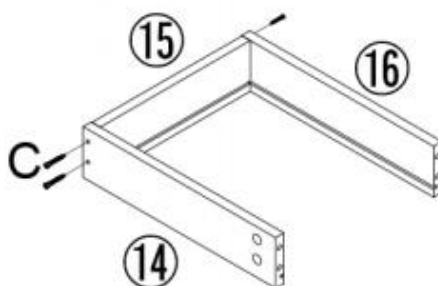
Put the table on the cabinet
table on left side.



STEP 21

Fix 2 Set Drawers

Connect board 15 with 14 and 16, using screws C, then push board 17 in, then connect with board 18, the second set using board 19, then fix runners D2 on board 14 and 16, please note the right hole.



18 X1
19 X1

Panel Required	Qty
14	2
15	2
16	2
17	2
18	1
19	1

D2*2

E*8

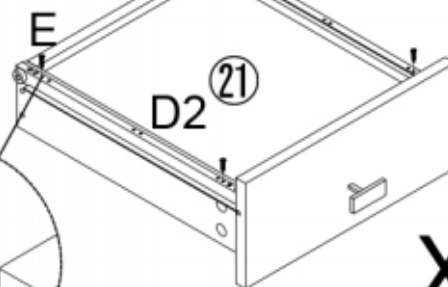
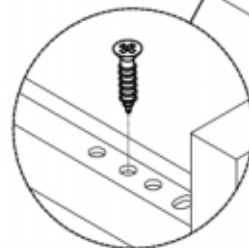
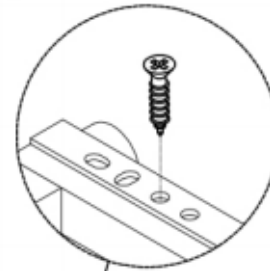
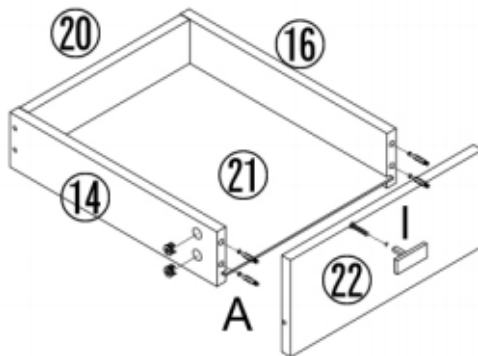
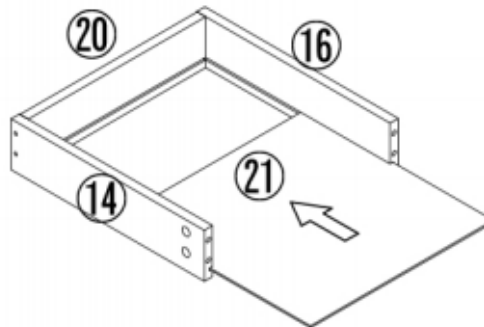
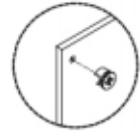
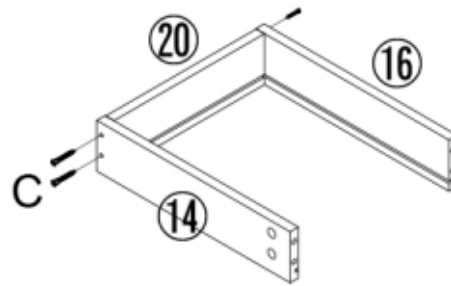
A*8

C*8

STEP 22

Fix 3 Set Drawers

Connect board 20 with 14 and 16, using screws C, then push board 21 in, then connect with board 22, then fix 3 sets runners D2 on board 14 and 16, please note the right hole



X3

I*3

D2*3

E*12

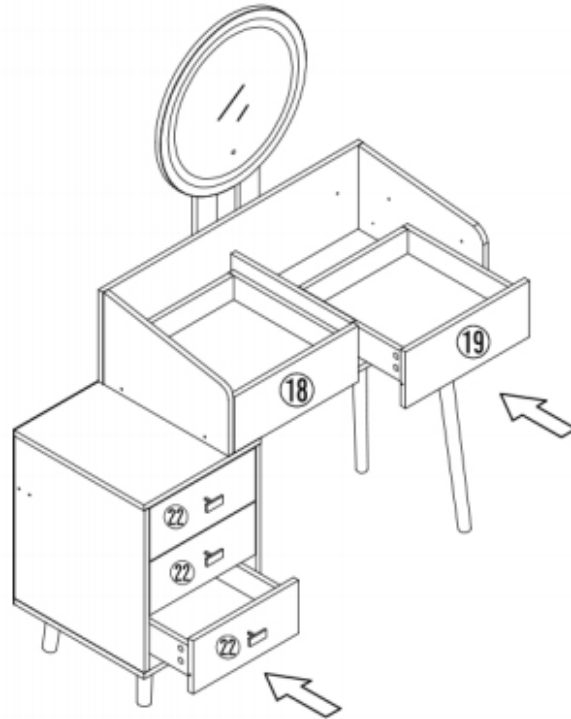
A*12

C*12

Panel Required	Qty
14	3
16	3
20	3
21	3
22	3

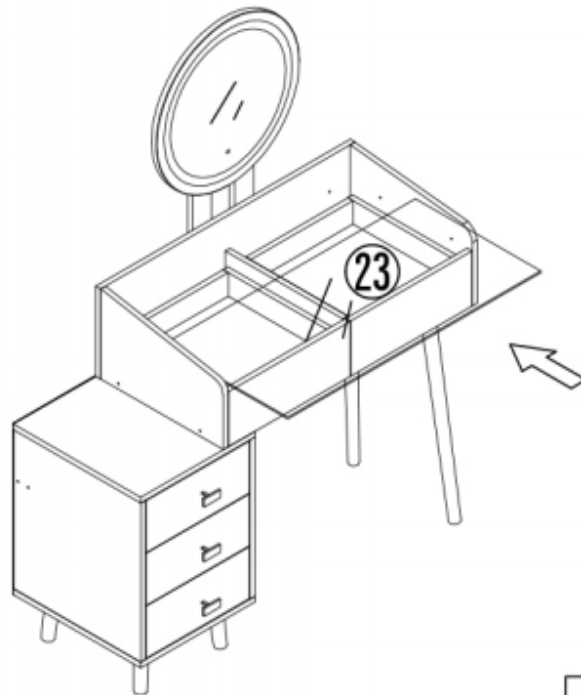
STEP 23

Push the drawers in



STEP 24

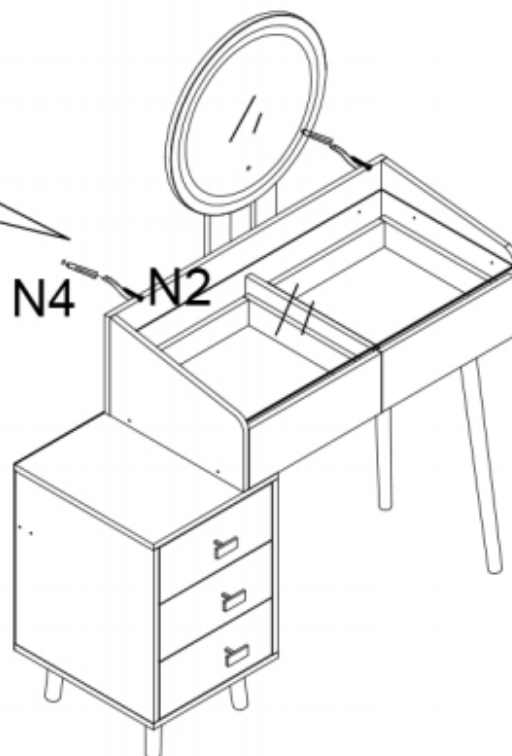
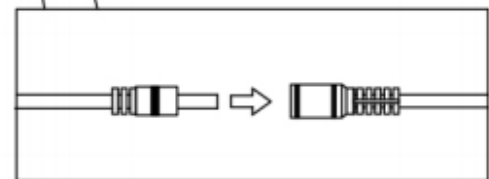
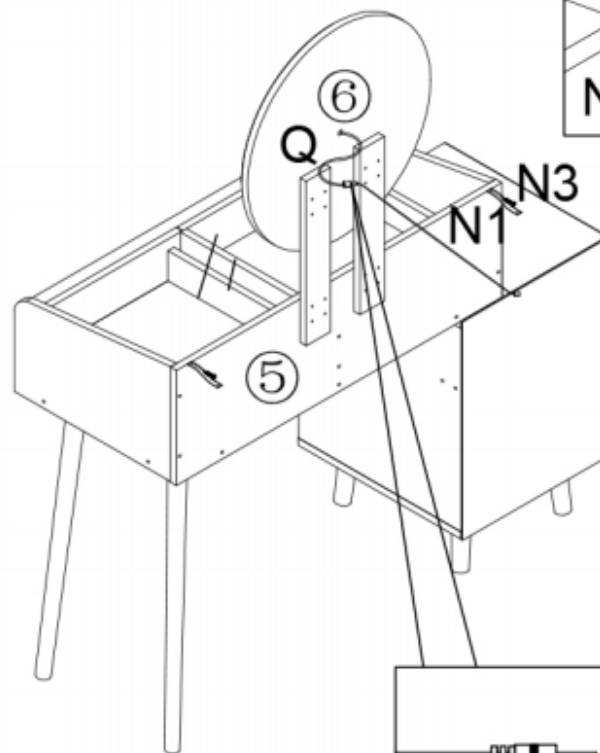
Fix glass part 23



Panel Required	Qty
23	1

STEP 25

Fix 2 sets part N



Q*1

N3*2 N4*2

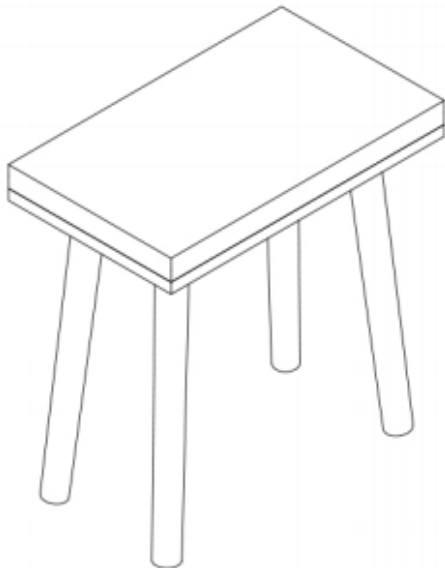
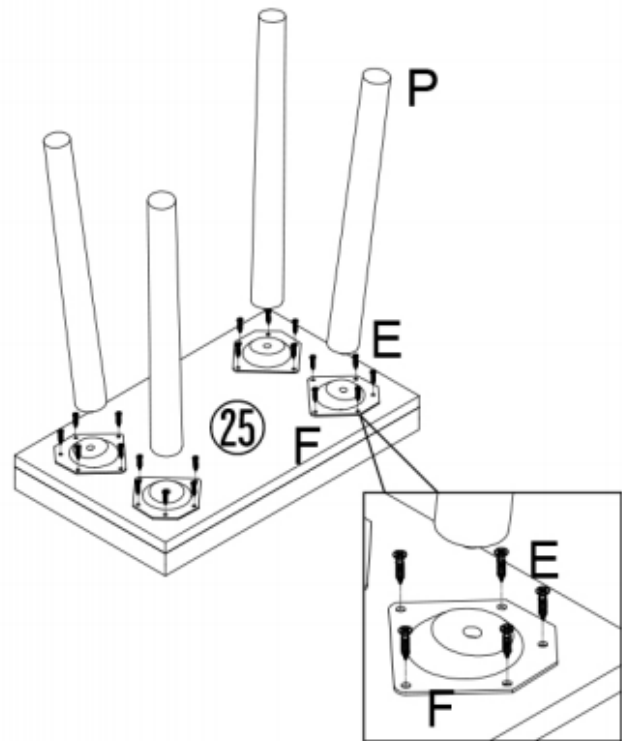
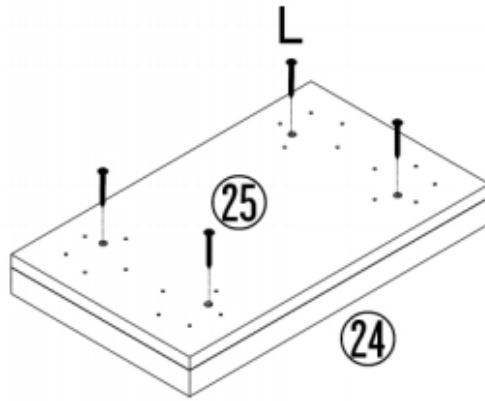
N1*2 N2*2

Panel Required	Qty
⑤	1
⑥	1

STEP 26

NOTE

Fix the stool, connect board ②④ and ②⑤, using screw L, then fix 4 pcs part F on board ②⑤, using screws E, then screw legs P into F



L*4

P*4

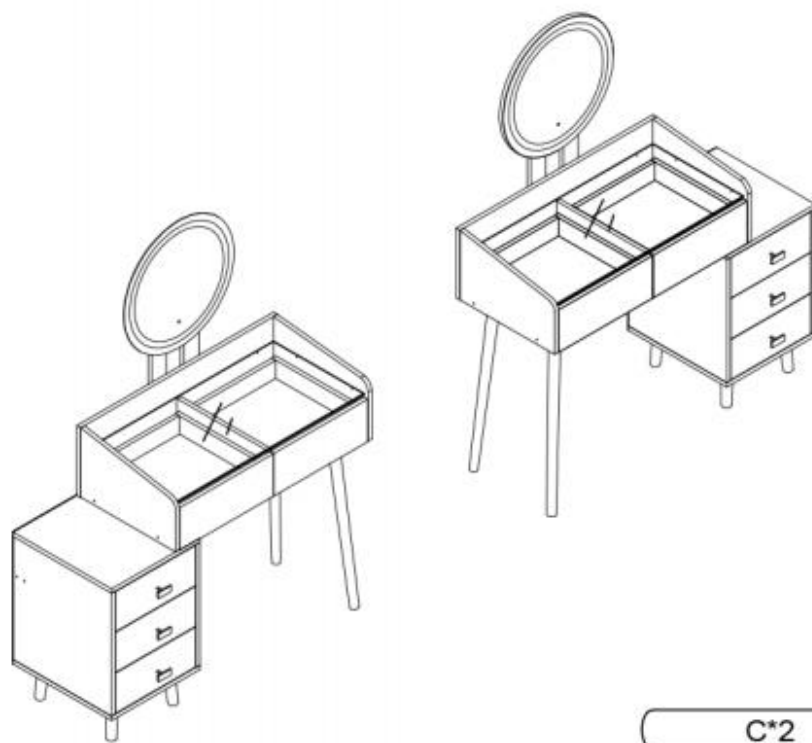
E*20

F*4

Panel Required	Qty
②④	1
②⑤	1

STEP 27

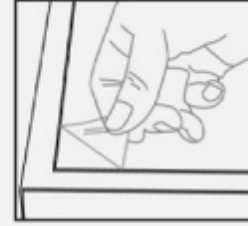
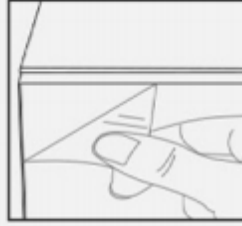
Job done



C*2

PROTECTIVE FILM

Please remove the protective film before using.

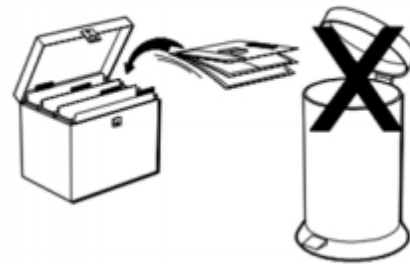
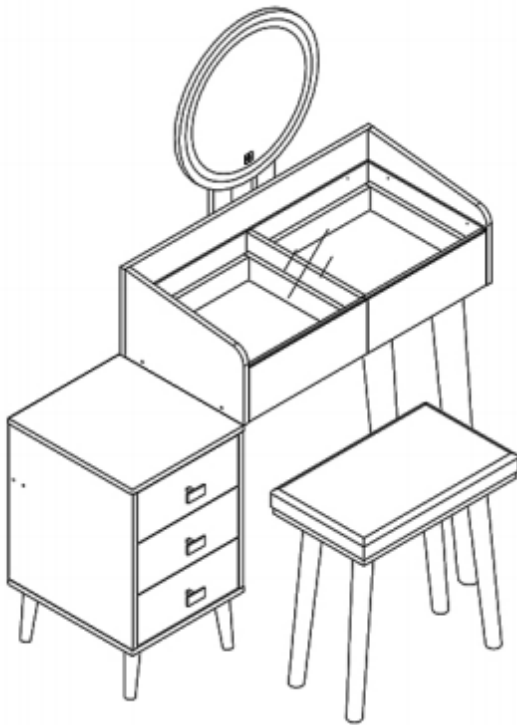


Assembly Completed

Your Dressing Table/Stool is now completely assembled

Periodically check to ensure that the components are in their proper position, free from damage

Also, make sure the connectors are tight and secure.



Keep instructions for future reference

WARNINGS

- ! This product should only be used on a firm and level floor.
- ! **DO NOT** use this product if parts are missing, damaged or worn.
- ! **DO NOT** sit or stand on the table.
- ! **DO NOT** stand on the Stool