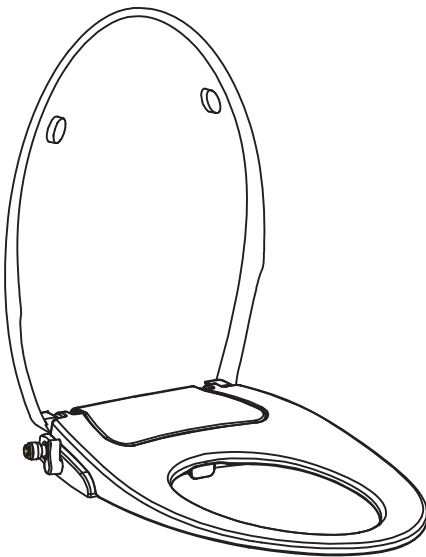


Warranty card included

# ANNWA

## Installation and User Manual

- Thank you for purchasing ANNWA product. Please read through the manual carefully for appropriate use of the product.
- After you read through the manual, keep it at a proper place for further reference.

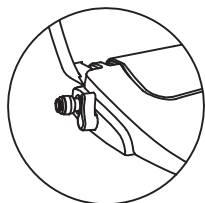


**Model: PG303A-HPN**

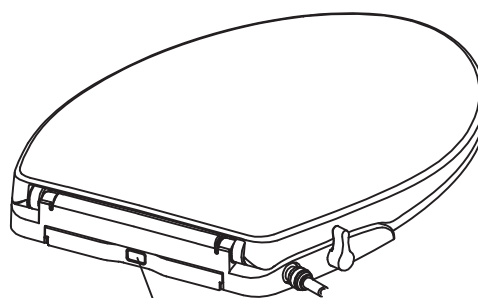
<b>Part List</b> .....	1-2
Product Parts .....	1
Components .....	2
<b>Installation</b> .....	3-6
Cautions .....	3
Product Installation Procedure .....	3-5
Connecting Water Hose .....	5
<b>Operation</b> .....	6
Front Wash .....	6
Rear Wash .....	6
Stop .....	6
<b>Clean and Detachment</b> .....	7
<b>Product Maintenance</b> .....	8
<b>Self Diagnosis and Specifications</b> .....	9
<b>Limited Warranty</b>	

## 1 Part List

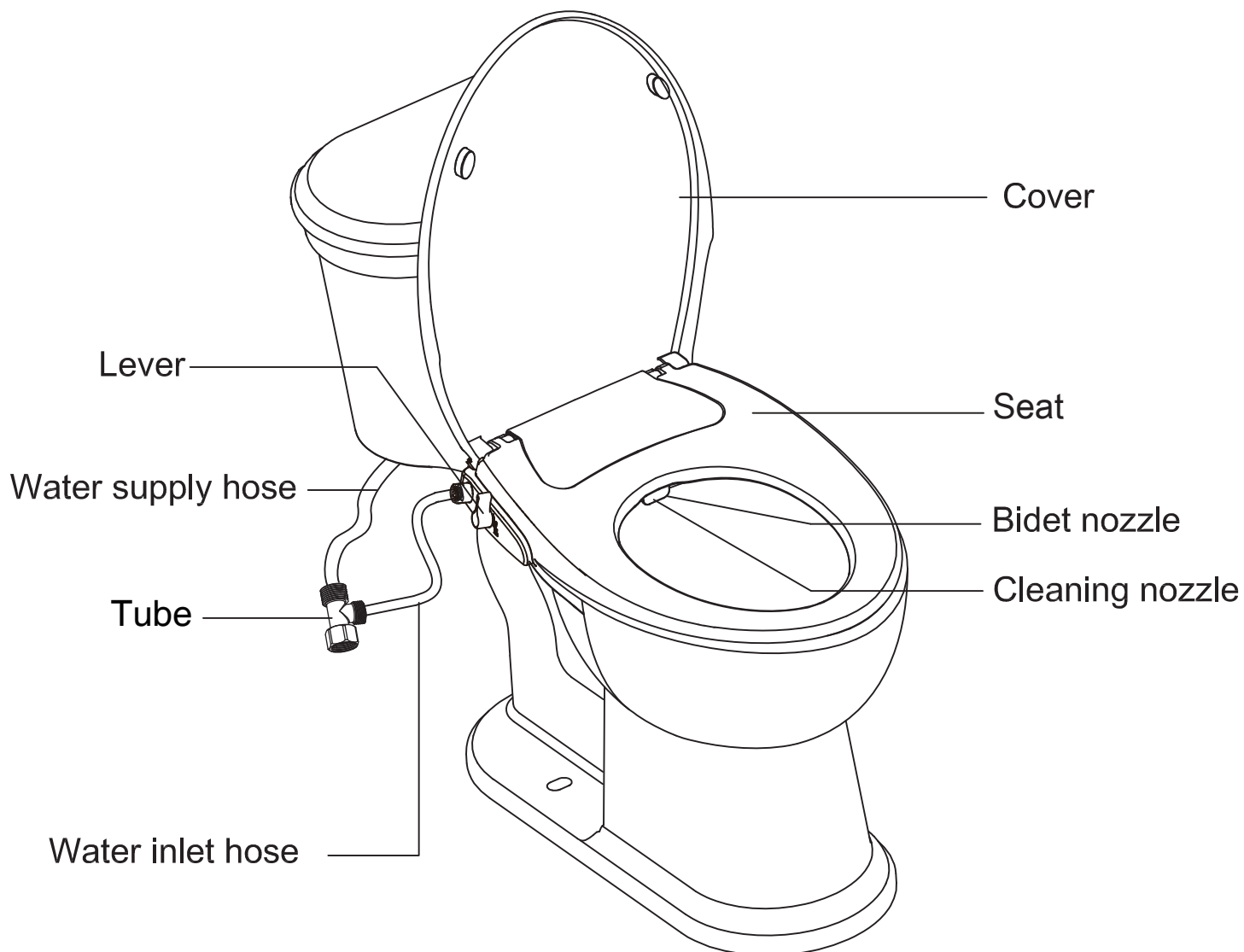
### ■ Product Parts



Water inlet on the left

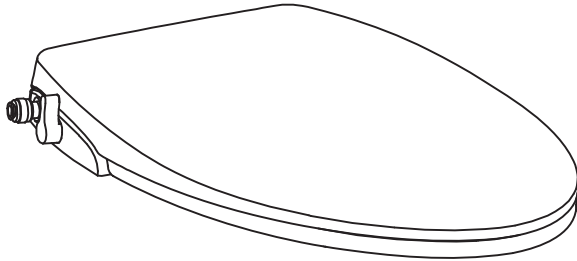


Release button

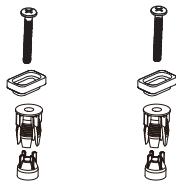


## ■ Components

### 1.Main body



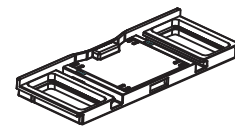
### 2.Fixing Components



Bolts(2)

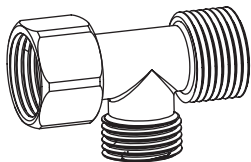
Adjustable plates(2)

Separating expansive nuts(2)

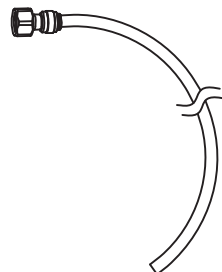


Mounting panel

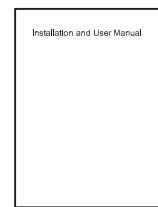
### 3. Tube



### 4.Water inlet hose



### 5.Installation and User Manual



## 2 Installation

Please make sure you read the instructions carefully and install it properly.

### ■ Cautions

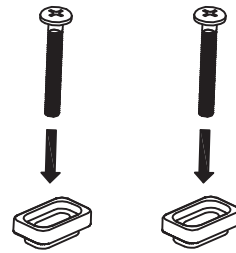
1. The water pressure requirement is from 0.07 to 0.6 MPa(10-87PSI). Please use as instructed.
2. The water shutoff valve should be near where the product can be installed and detached.

### ■ Product Installation Procedure

#### ■ Pre-installation

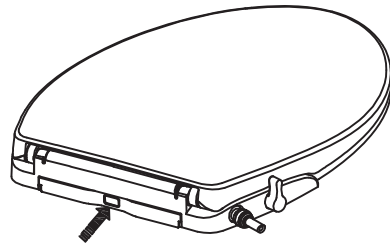
1. Insert the connecting bolts in adjustable plates.

As figure, insert the connecting bolts in the holes of adjustable plates.



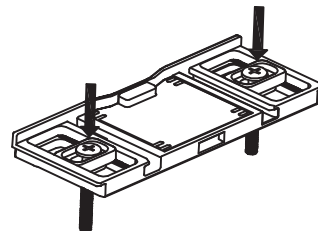
2. Press the button, take out the adjustable panel.

As figure, press the button, take out the adjustable panel.



3. Insert connecting bolts with adjusting pieces in the mounting panel.

As figure, insert the connecting bolts in the holes of adjusting pieces in the holes of the mounting panel.

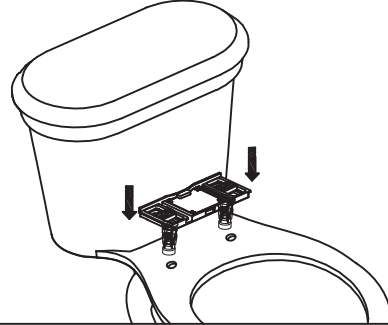


## ■ Installation Porcedure

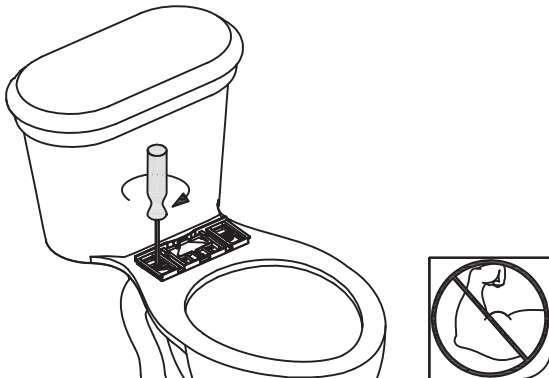
1.As figure, install the nuts to the bolts.



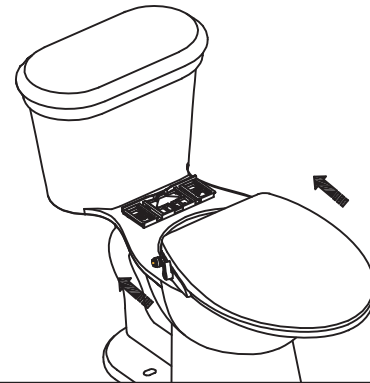
2.As figure, take the mounting panel to the holes of the ceramic. Adjust position for connecting bolts and adjusting pieces, make the connecting bolts aim at according expansive nuts. .



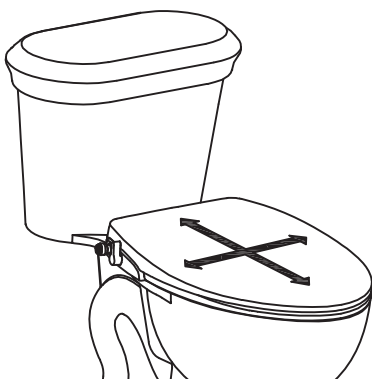
3.Drive the screw, do not fully tighten for further adjustment.



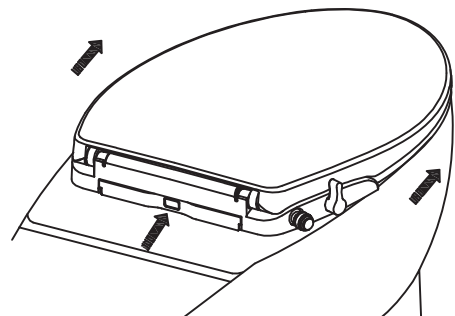
4.Fix the mounting panel, push the seat to the end.



5.Adjust the toilet seat as necessary.



6.Press the button to release the seat.

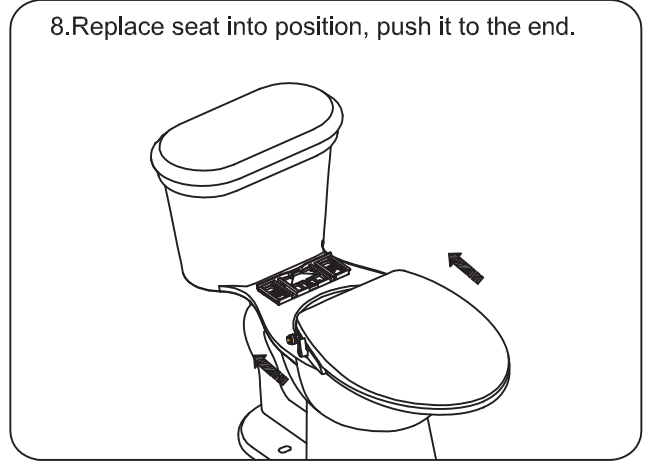


## ■ Installation Porcedure

7. Tighten all screws.

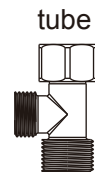


8. Replace seat into position, push it to the end.

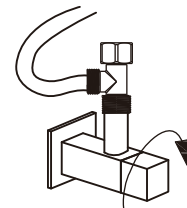


## ■ Connecting water hose

1. Close the water valve and detach water pipe from the water tank. Connect the tube to the water tank and the water valve. Make sure that rubber packing is inserted in between.

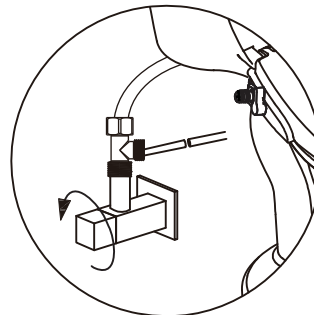


Water pipe from the water tank



Water valve

2. Connect the nut of supply hose with tube, and fully tighten.



Prohibition

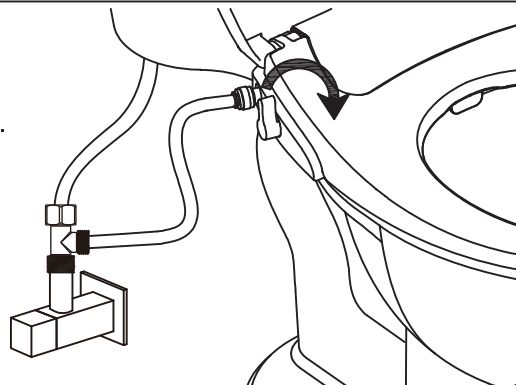
1. Do not lift the product with the seat cover and seat open.  
2. Cannot use with the hot water which temperature is higher than 40° C. This may cause a mechanical trouble.

## 3 Operation

### ■ Front wash



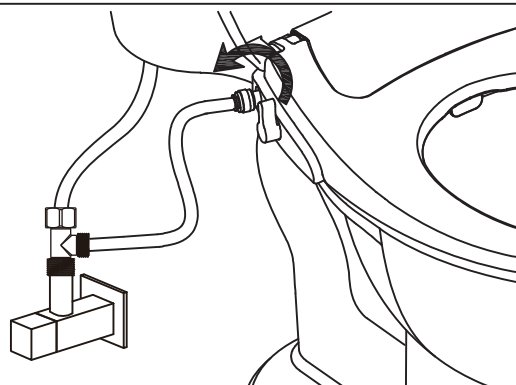
- Turn the lever clockwise from the horizontal position.
- Nozzle for FRONT WASH moves forward and start the function.
- The water volume changes with the turning of lever.



### ■ Rear wash

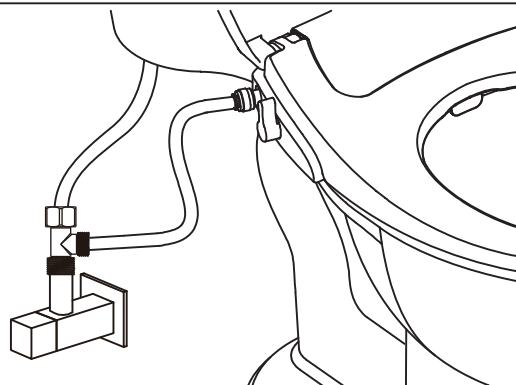


- Turn the lever anticlockwise from the horizontal position.
- Nozzle for REAR WASH moves forward and start the function.
- The water volume changes with the turning of lever.



### ■ Stop

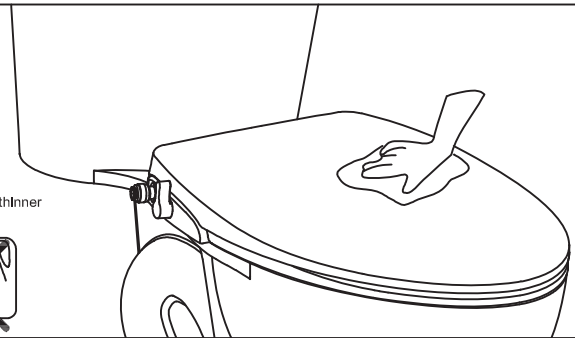
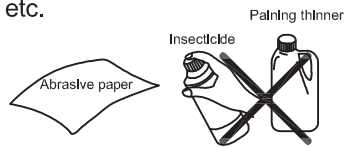
- During rear wash and front wash status, rotate the knob to horizontal and stop washing.
- Nozzle moves back to original position.
- The water volume changes with the turning of lever until totally shut off.



## 4 Clean and detachment

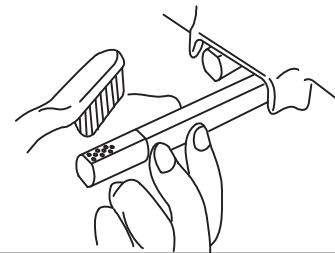
1. Clean the outside parts of the seat.

Use a smooth sponge/cloth with diluted kitchen detergent to clean the product. Do not use the following types: hydrogen chloride detergent, painting thinner, benzene, abrasive paper, polishing agent, fragrance and insecticide, etc.



2. Clean the nozzle.

Pull out the nozzle softly and use smooth cloth/sponge or toothbrush with kitchen detergent to clean the nozzle.



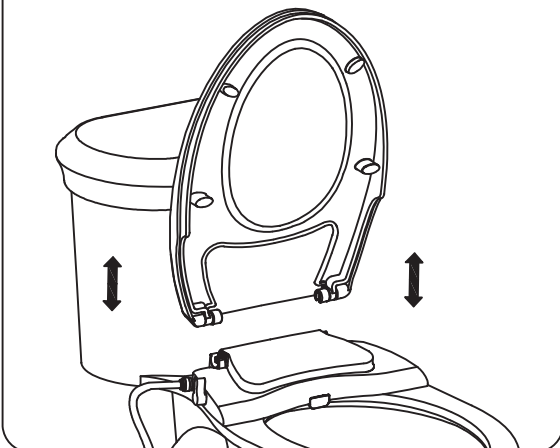
This seat has two quick-release function:

Seat & Cover release: Open the seat & cover to 90 ° and lift the seat & cover as pic 4;

Whole unit release: another method is press the button, pull the whole unit forward as pic 5.

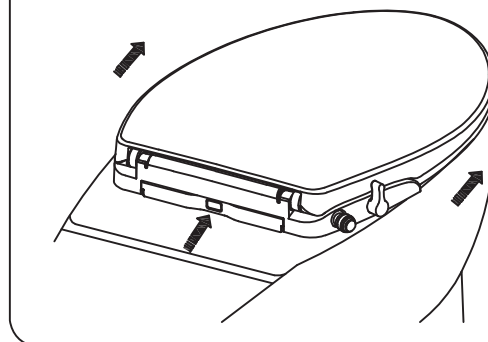
4. Seat Cover release.

Open the seat and cover to 90° and lift the seat cover upward to release the main body. After cleaning, insert the seat cover into the holes perpendicularly to install the seat.



5. Whole unit release.

Press the button, pull the seat forward.

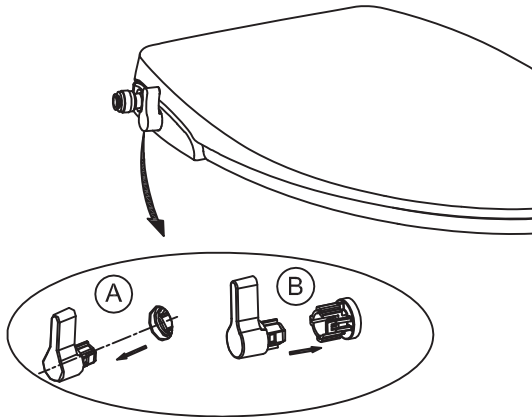


## 5 Product maintenance

### 1. Lever replacement.

As per figure A, remove the old lever along the axis direction.

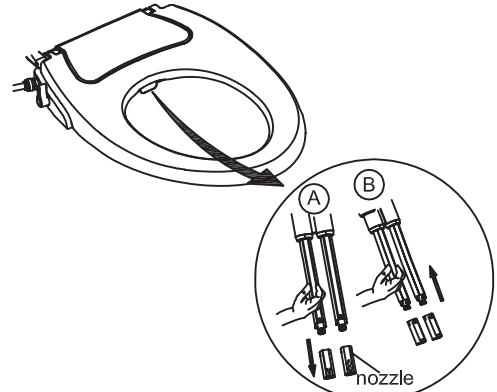
As per figure B, insert the new lever rib into the corresponding control valve slot. The installation is completed with a "click" sound.



### 2. Nozzle replacement.

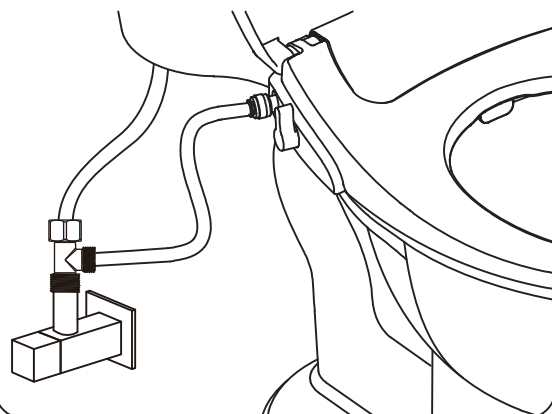
As per figure A, pull out the tube and do not release then remove the old nozzle along the axis direction.

As per figure B, insert the new nozzle into the tube along the corresponding slot. The nozzle replacement is completed.



### 3. Water hose leaking solution.

If water leaks from the water hose, re-tighten the nuts to avoid water leaking.



## 6 Self Diagnosis and Specifications

### Self Diagnosis and Troubleshooting

Status	Cause	Solution
Water is too low during Washing	1.Low water pressure of the unit	During rear washing/front washing, turn the lever fast to biggest volume
	2.Low water pressure of water supply	When water supply pressure is lower than 0.7kgf/cm <sup>2</sup> , contact local department for water pressure question
No water comes out during washing	1. Water shut-off valve is turned off	Turn on the water shut-off valve
	2. Nozzle head is blocked	Take off and clean the nozzle head
	3. External water pressure is low	Increase external water pressure
Water dropping from bowl when using the unit	External water pressure is too big	The maximum water pressure of the unit is 0.8MPa . If water supply pressure is higher than that, please contact local department for water pressure question.

If any failure still occurs after above trouble-shooting, please contact the retailer.



**Caution**

Do not disassemble, repair or remodel the unit.

### Specifications

Classification	Description
Model No.	A625
Water flow of rear wash	0.4 - 1.8 L/min
Water flow of rear wash	0.4 - 1.8 L/min
Backflow Prevention	Backflow Prevention
Water Supply	Direct from water pipes
Water Pressure Range	Static pressure:0.07- 0.6 MPa,Dynamic pressure:above 0.03MPa
Dimensions	370X500X60mm
Weight	2.3 KG

### To request service:

- 1.Please recheck the user's manual.
- 2.If failure or damage occurs after referring the manual,stop using the product and contact the retailer .
- 3.If you encounter any issues during use, please contact our customer service team through seller support or send an email to our official email address: [annwahelp@annwa.com.cn](mailto:annwahelp@annwa.com.cn)

## 7 Limited Warranty

Thank you for choosing ANNWA products. In order to protect your rights and interests, please fully understand the following warranty terms.

1. ANNWA bidet toilet seats are warranted to the original purchaser to be free from defects in material and workmanship for 18 months from the date of purchase. ANNWA's bidet toilet seats are not designed for commercial use; therefore, the warranty of commercial products are invalid.

2. Under the following conditions, customers will not be entitled to the free warranty.

- Beyond the warranty period.
- Failure caused by improper installation, usage and maintenance according to the product manual or use in a service environment that does not comply with the provisions of the product manual.
- Product failure or components damage caused by the use of detergent with coarse particles such as decontamination powder or polishing powder, nylon brush, abrasive cloth or sandpaper.
- Product failure or components damage caused by force majeure such as natural disasters (including earthquake, fire hazard, etc.) and other accidents (collision, smashing, stepping, etc.).