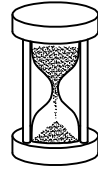
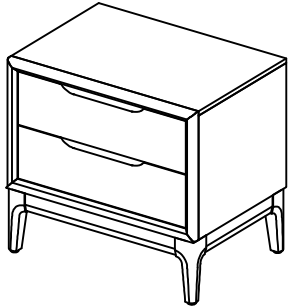
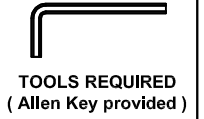
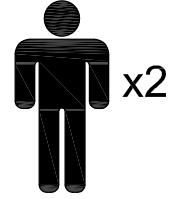


JUNE NIGHTSTAND

ASSEMBLY INSTRUCTIONS

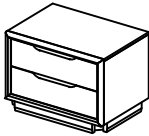
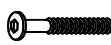


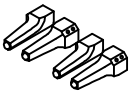



15 MIN



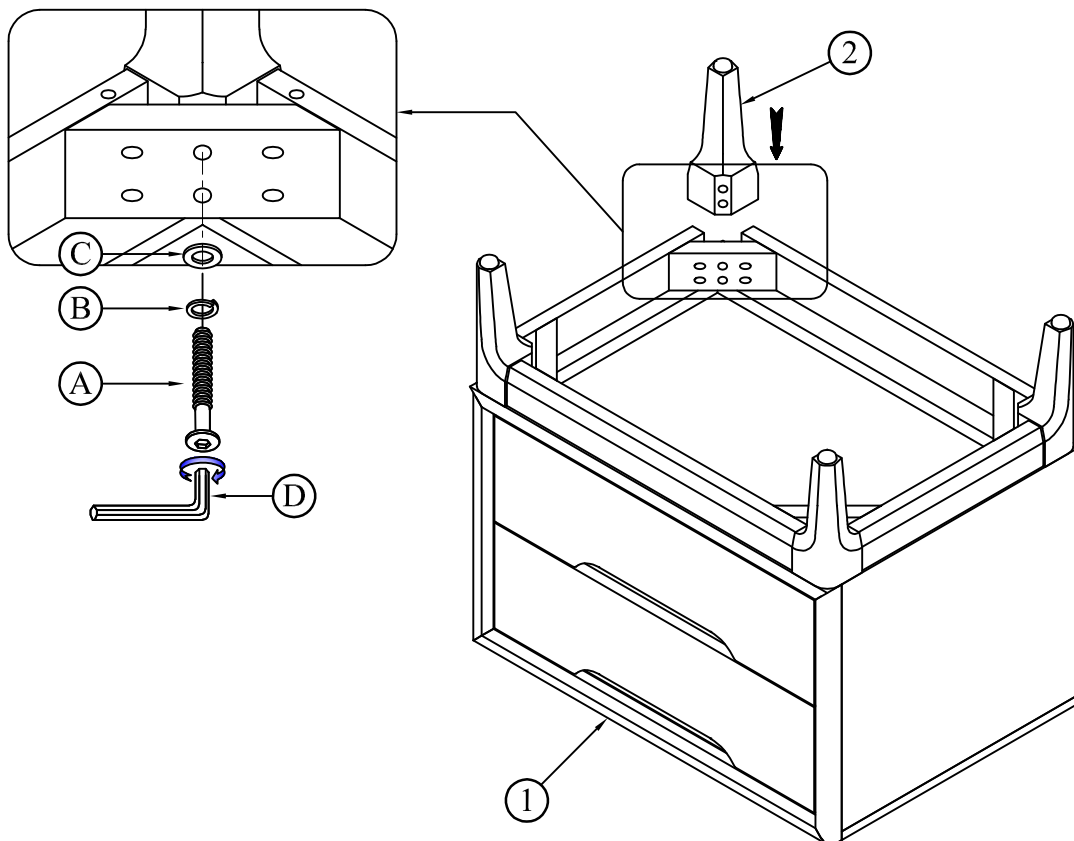
PART LIST

HARDWARE LIST

No.	Description	Sketch	Quantity	No.	Description	Sketch	Size	Quantity
1	BODY		1pc	A	Allen Bolt		M8 x 50mm	8pcs
				B	Spring Washer		M8 x 1.2 x 13mm	8pcs
				C	Flat Washer		M8 x 2 x 19mm	8pcs
2	LEGS		4pcs	D	Allen Key		4mm x 50	1pc

STEP 1

Center legs at the corner and align with pre-drilled holes. Secure and tighten screws to attach the leg

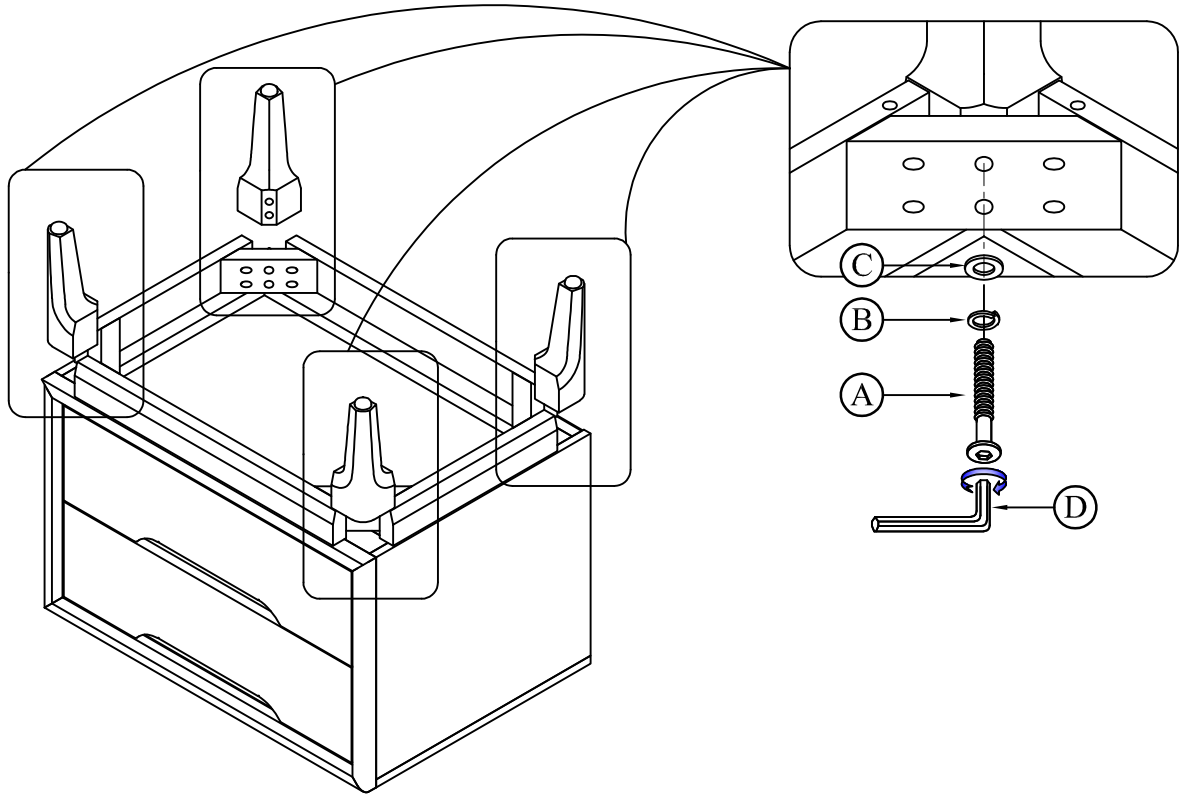


JUNE NIGHTSTAND

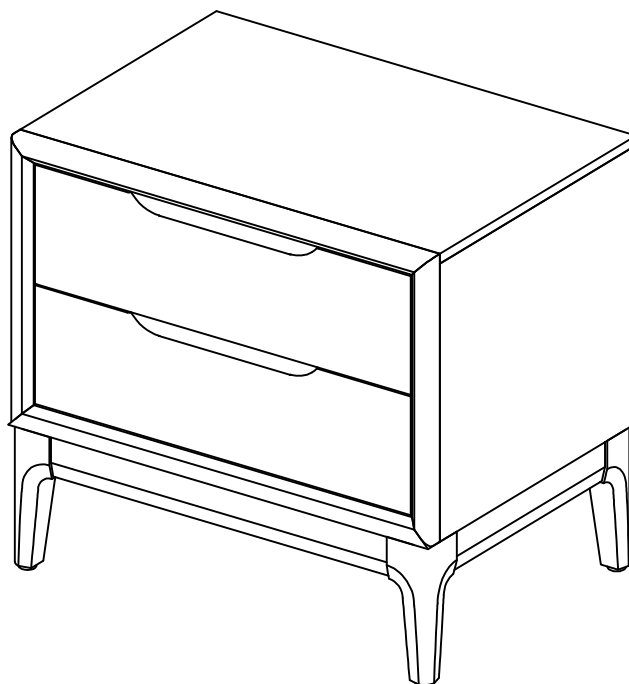
ASSEMBLY INSTRUCTIONS

STEP 2

Repeat this step in all 4 corners to install the legs



ASSEMBLY COMPLETED



"Carefully reposition the Nightstand Upright with the help of Two or more adults"