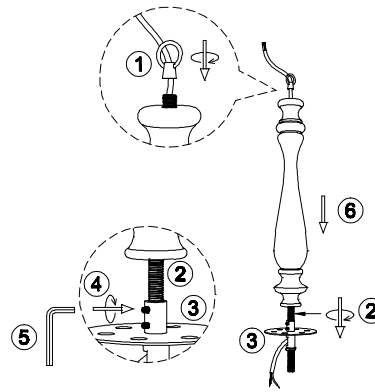
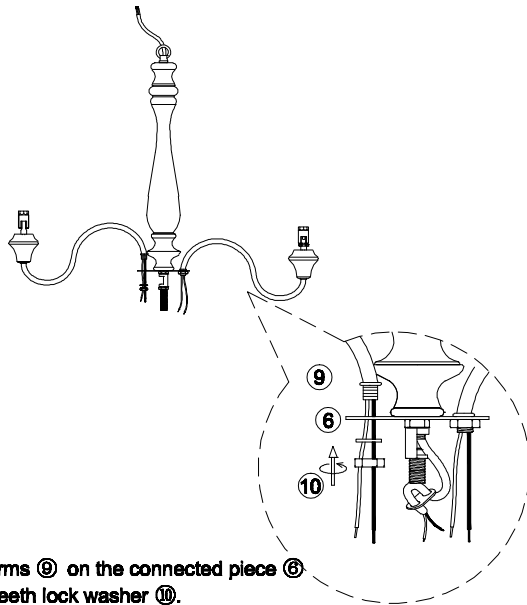


- ① hanging ring 1PCS
- ② threaded rod 1PCS
- ③ hanging vase 1PCS
- ④ grub screw 2pcs X 1PCS
- ⑤ hex key 1pcs X 1PCS
- ⑥ connected piece 1PCS X 3PCS
- ⑦ bottom box 1PCS X 3PCS
- ⑧ end cap 1PCS X 3PCS

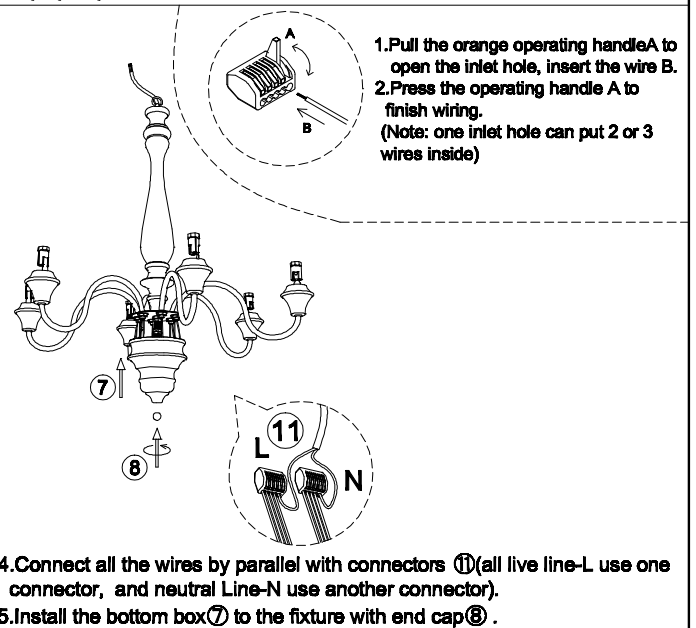
- ⑨ light arm D5036-6:6PCS D5036-8:8PCS
- ⑩ lock nut & teeth lock washer D5036-6:6PCS D5036-8:8PCS
- ⑪ splicing connector 2PCS
- ⑬ canopy 1PCS
- ⑭ cap nut 2PCS
- ⑰ cylinder tube D5036-6:6PCS D5036-8:8PCS
- ⑫ chain 1PCS



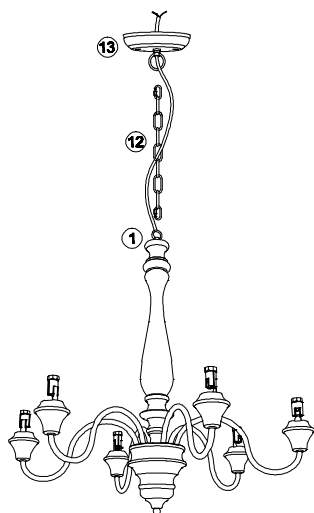
1. Let the main wire of the light fixture go through the threaded rod ②, rotate to fix threaded rod ② on the connected piece ⑥, lock it with grub screw ④ by hex key ⑤.
2. Let the hanging vase ③ go through the threaded rod ②, lock it with hanging ring ①.



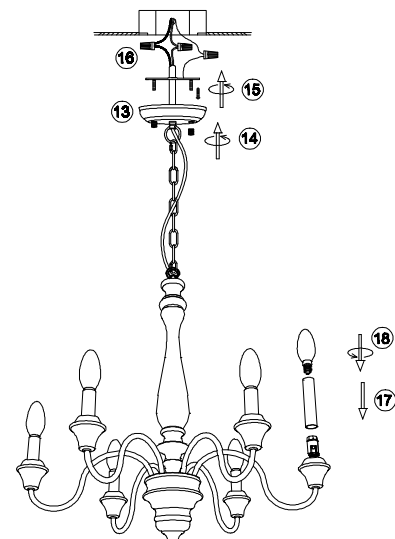
3. Install the light arms ⑨ on the connected piece ⑥ with lock nut & teeth lock washer ⑩.



4. Connect all the wires by parallel with connectors ⑪ (all live line-L use one connector, and neutral Line-N use another connector).
5. Install the bottom box ⑦ to the fixture with end cap ⑧.



6. Connect the light fixture with canopy ⑬ with chain ⑫, let the wire go through the chain ⑫ and canopy ⑬.



7. Install the bracket to the ceiling junction box with screw ⑮.
8. Connect the wire to your home line.
9. Install the fixture to the bracket with cap nut ⑭.
10. Put the cylinder tube ⑰ on the bulbholder and install the bulbs ⑯.

Please read carefully before installation!!!

Note : Please make sure that the electricity is powered off during installation !  
Only a professional electrician should install this kind of product !