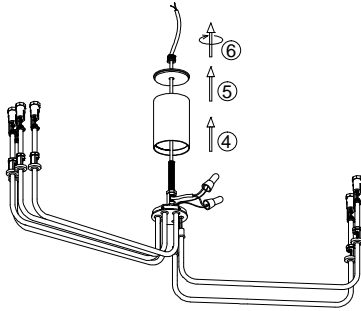
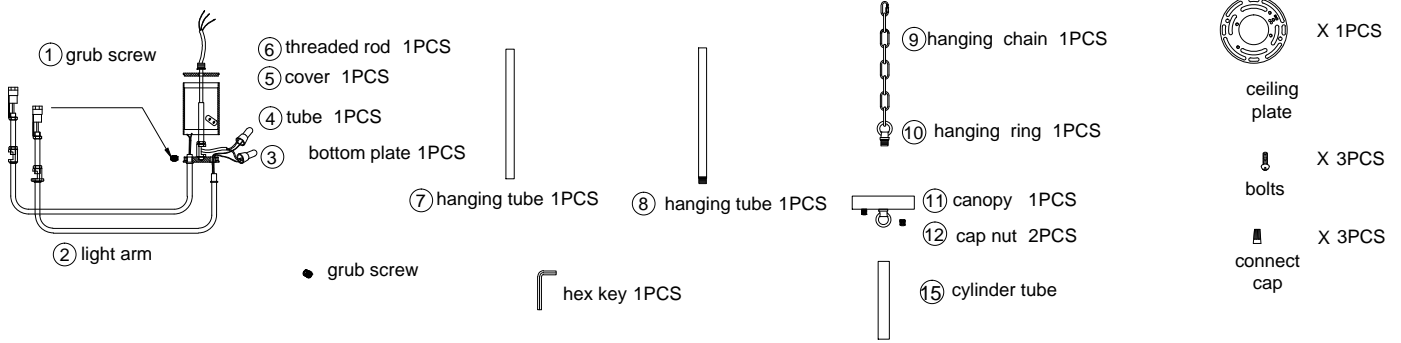
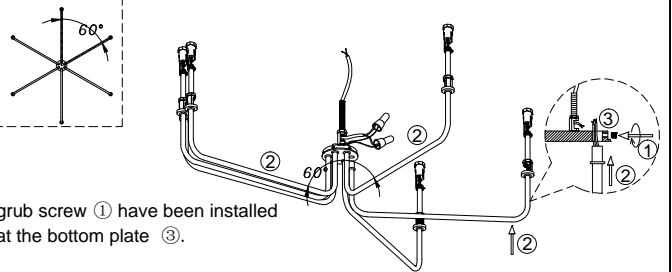


Installation & Assembly

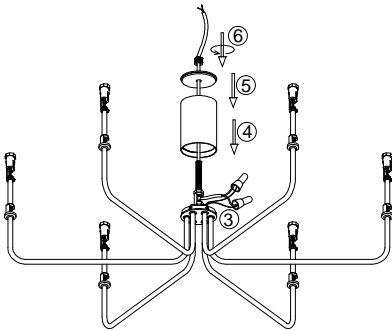


1. Rotate to loosen threaded rod ⑥, remove out the threaded rod ⑥, cover ⑤ and tube ④.

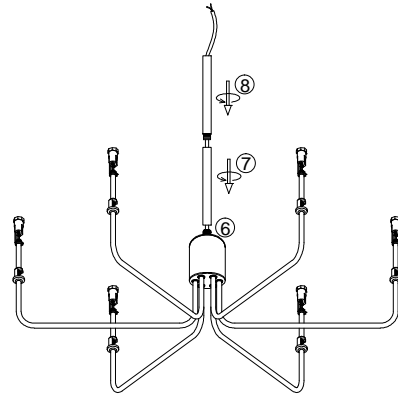


grub screw ① have been installed at the bottom plate ③.

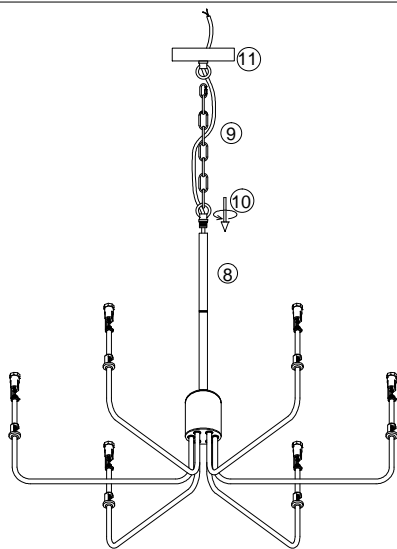
2. Install the light arm ② to the bottom plate with grub screw ③, but don't tighten the screw ③ at this step.
 3. Adjust the arms ② to suitable position like picture shown, use hex key to fasten the grub screw ③ at last.



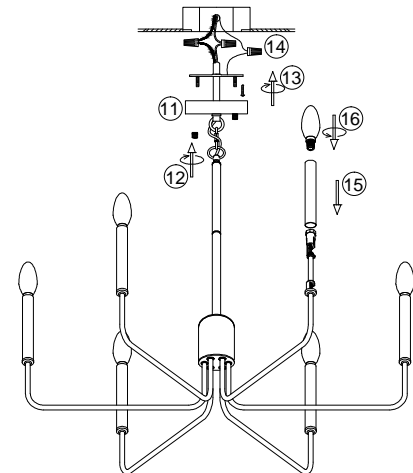
4. Let the wire go through the tube ④, cover ⑤ and threaded rod ⑥, rotate to fix all parts to the fixture.



5. Let the wire go through the hanging tube ⑦ and tube ⑧, rotate to install the tubes to the fixture.



6. Hang the fixture to the canopy ⑪ with chain ⑨, let the wire go through the chain ⑨ and canopy ⑪.



7. Install the bracket to the ceiling junction box with screw ⑬.
 8. Connect the wire to your home line with cap connector ⑭.
 9. Install the fixture to the bracket with cap nut ⑫.
 10. Put the cylinder tube ⑮ on top of bulb holder and install the bulb ⑯.

Please read carefully before installation!!!

Note : Please make sure that the electricity is powered off during installation !

Only a professional electrician should install this kind of product !