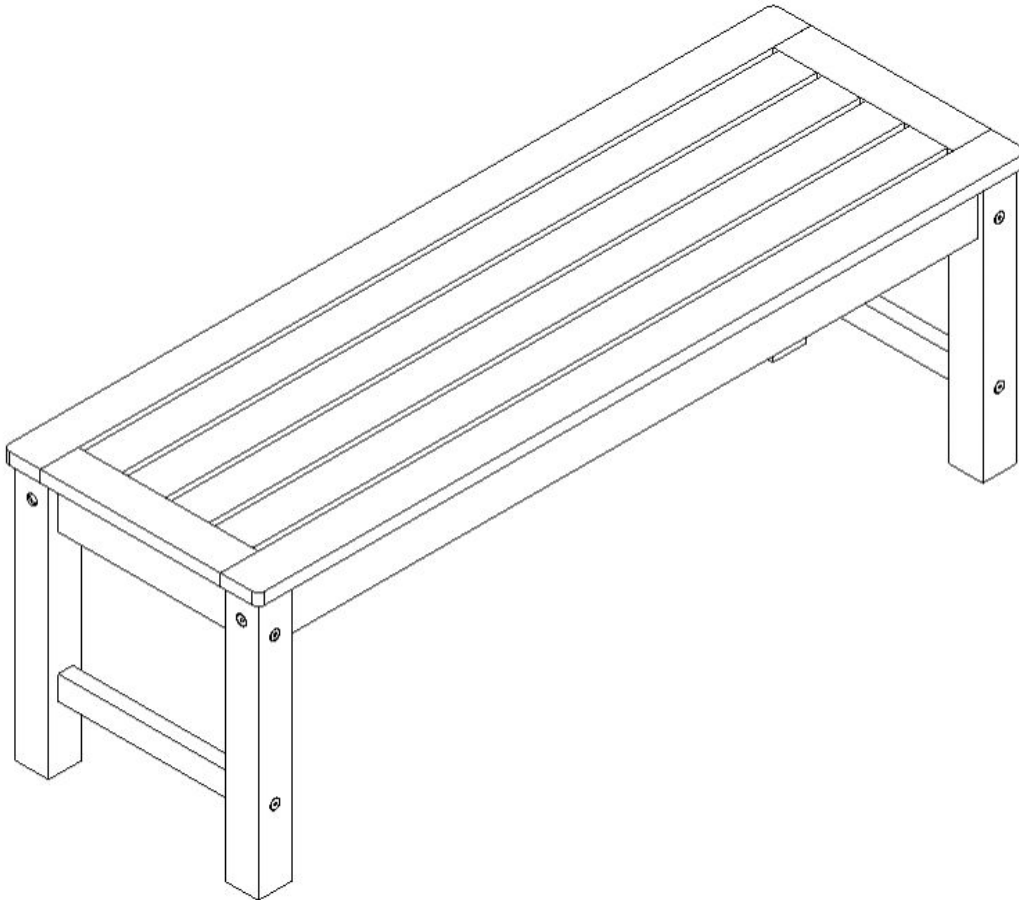

ASSEMBLY INSTRUCTIONS

Bench



***THIS ASSEMBLY MANUAL CONTAINS IMPORTANT SAFETY INFORMATION.
PLEASE READ AND KEEP FOR FUTURE REFERENCE.***

Important Safety Information

- *Please read all instructions carefully before assembling this furniture.*
- *For your safety, assembly by two or more adults is strongly recommended.*
- *Use only vendor-supplied hardware to assemble this item. Using unauthorized hardware could jeopardize the structural integrity of the item.*
- *Hardware may loosen overtime. Periodically check that all connections are tight.*





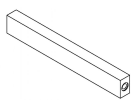
Before Assembly

- *Power tools are highly recommended for assembly.*
- *Remove all parts and hardware from the box. Place all items on a carpeted or scratch-free work surface, as this will avoid damaging parts during assembly.*
- *The shipping box provides an ideal work surface.*
- *To avoid accidentally discarding small parts or hardware, do not dispose of any packaging or contents of the shipping carton until assembly is complete.*
- *Use the parts and hardware lists below to identify and separate each of the pieces included.*
- **Note:** *Do not fully tighten all bolts until all parts are in place. Failure to follow these instructions may cause the bolts to misalign during assembly.*

Care and Cleaning

- *Routine cleaning of the furniture can be completed with only warm water and soap.*
- *You can use the sanding sponge for cleaning.*

Components

A		1	B1		2
B2		2	C		2
D		2			

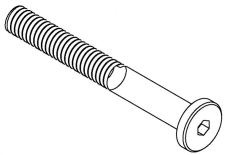
Hardware

E

M8*70mm Bolt

Sanding Sponge for Cleaning

Qty: 12



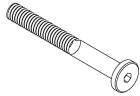

It is recommended to use power tools for installation

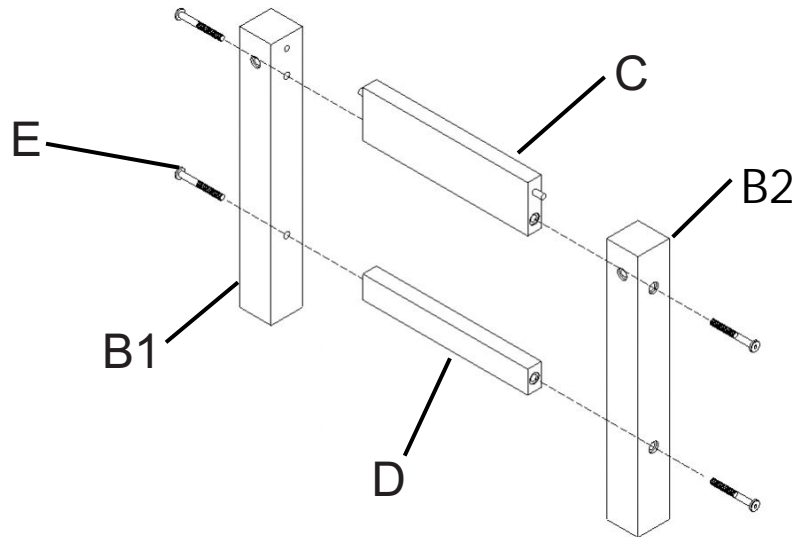
Tools Needed for Assembly





Allen key

Step 1

<p>E M8*70 mm Bolt Qty: 4</p> 	
---	---



Step 2

<p>E M8*70 mm Bolt Qty: 4</p> 	
--	---

