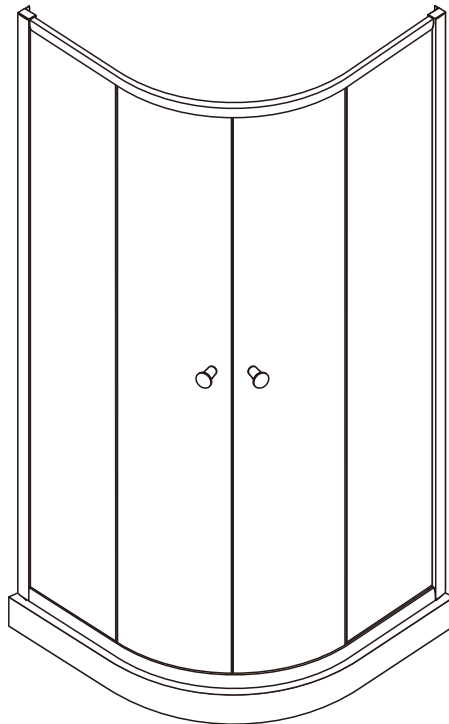


ANZZI™

Item: SD-AZ050-01**
ANZZI GLASS SHOWER DOOR
INSTALL & OPERATION MANUAL
V1.0



DON'T WAIT! REGISTER NOW!

Register your product within 90 days to ensure your product is recognized as an official purchase and is eligible for warranty coverage.

Mail in the completed registry card (Pg. 2) or register online at www.swcorp.com/register.



PRODUCT REGISTRATION*

IMPORTANT: YOUR WARRANTY WILL NOT BE RECOGNIZED UNLESS THIS CARD IS FULLY COMPLETED AND RETURNED OR ONLINE REGISTRATION IS COMPLETED.

To ensure that your warranty is registered and confirmed please do one of the following:

- 1. Register online at www.swcorp.com/register.** You will be asked to fill out the same information you would in the registration card. Registering online is fast, secure and ensures we receive your information.
- 2. Complete, cut-out and mail the registration card below.** By returning this registration card we confirm the date of purchase for your new product. This confirmation will allow us to process any warranty claims.

Mail the card to: 5701 NW 35 Avenue, Miami, FL 33142



Product Registration Card

Name..... Address

City..... State..... Zip.....

Phone Email.....

Date of Purchase

Installer's Name Phone

I have read the Owner's Manual carefully and understand and agree that any installation, operation or maintenance of the product must be done strictly in accordance with instructions and guidelines contained in the owner's manual and installation guide.

Signature..... Date.....

Have questions? Call us at 1-844-44-ANZZI or visit us at www.ANZZI.com

◆ General Information

Please inspect the product immediately upon receipt for transit damage, missing packs/parts or manufacturing fault. Damage reported later cannot be accepted. Please handle the product with care avoiding knocks and shock loading to all sides and edges of the glass.

Notes: Safety glass can not be re-worked.

Please read these instructions carefully before start of installation.

Special care should be taken when drilling walls to avoid hidden pipes or electrical cables.

Note: This product is heavy and may require two people to install.

Aftercare instructions

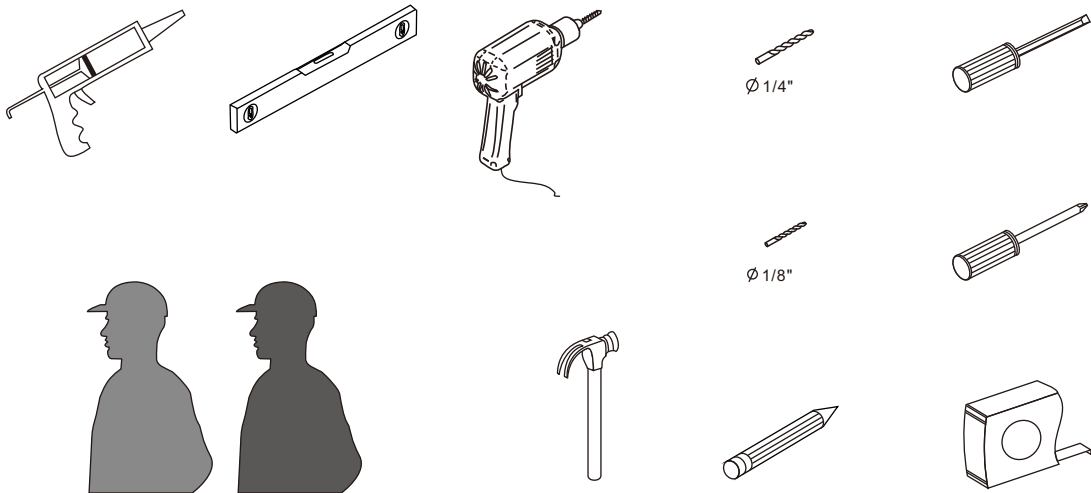
After use, your shower should be cleaned with soap and water. This is particularly important in hard water districts where insoluble lime salts may be deposited and allowed to build up.

Cleaners of a gritty or abrasive nature should not be used. Care should be taken to avoid contact with strong chemicals such as organic solvents and strippers.

Glass cleaners can be used but with caution, if in doubt contact the manufacturer of the cleaner in question.

Please keep these instructions for aftercare and customer service details.


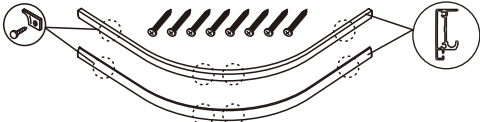



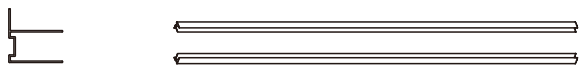
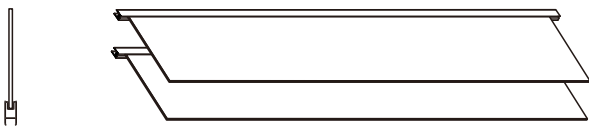
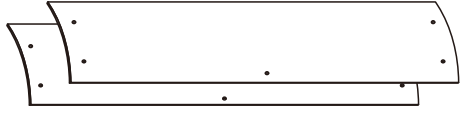

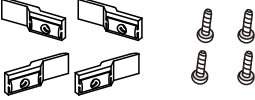

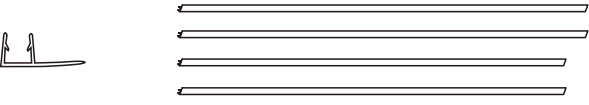


Tools Required



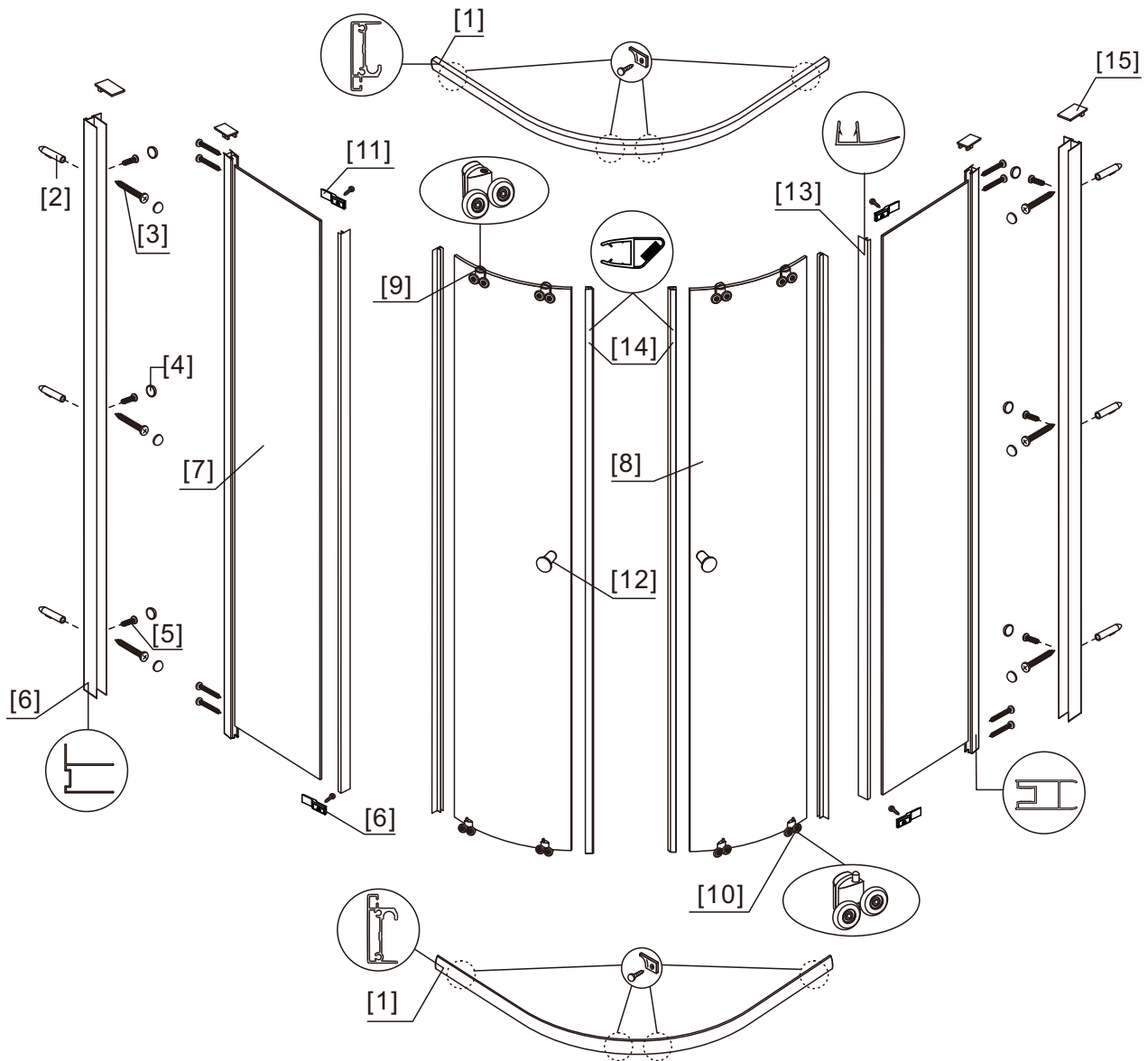
This product is heavy and may require two people to install.



◆ Box Contents:

1xInstallation Instruction.	➔	
[1] 2xHorizontal Rails. 8xScrews ST4x35.	➔	
[2] 6xWall Plugs. [3] 6xScrews ST4x35.	➔	
[4] 12xScrews Cover Caps.	➔	
[5] 6xScrews ST3.5x8.	➔	
[6] 2xWall Posts.	➔	
[7] 2xFixed Panels.	➔	
[8] 2xDoor Panels.	➔	
[9] 4xTop Rollers. [10] 4xBottom Rollers.	➔	
[11] 4xGlass Clamps. 4xScrews ST3.5x8.	➔	
[12] 2xHandle Sets.	➔	
[13] 4xWater Deflectors.	➔	
[14] 2xMagnetic Seals .	➔	
[15] 4xProfile Covers.	➔	

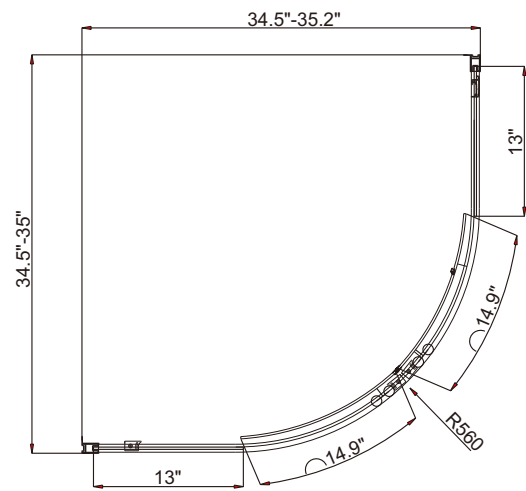
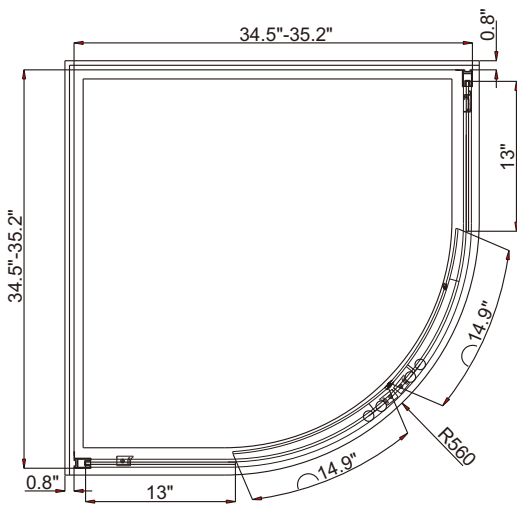
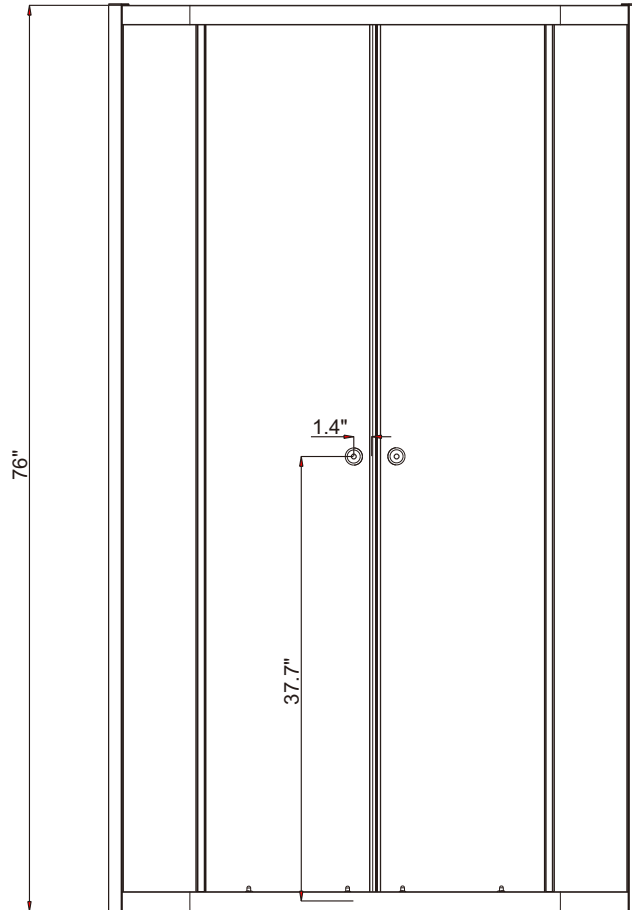
◆ Assembly Drawing



- [1] 2xHorizontal Rails.
- [2] 6xWall Plugs.
- [3] 14xScrews ST4x35.
- [4] 12xScrews Cover Caps.
- [5] 10xScrews ST3.5x8.
- [6] 2xWall Posts.
- [7] 2xFixed Panels.
- [8] 2xDoor Panels.

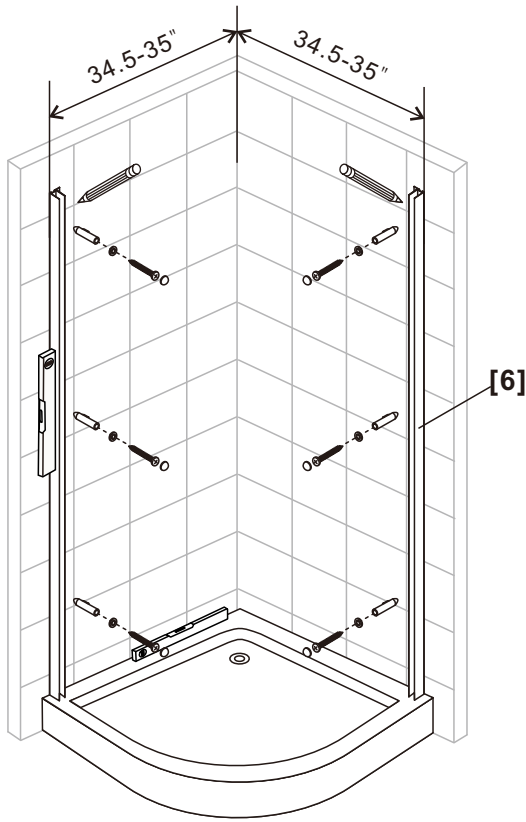
- [9] 4xTop Rollers.
- [10] 4xBottom Rollers.
- [11] 4xGlass Clamps.
- [12] 2xHandle Sets.
- [13] 4xWater Deflectors.
- [14] 2xMagnetic Seals .
- [15] 4xProfile Covers.

SD-AZ050-01** 36*36*76"

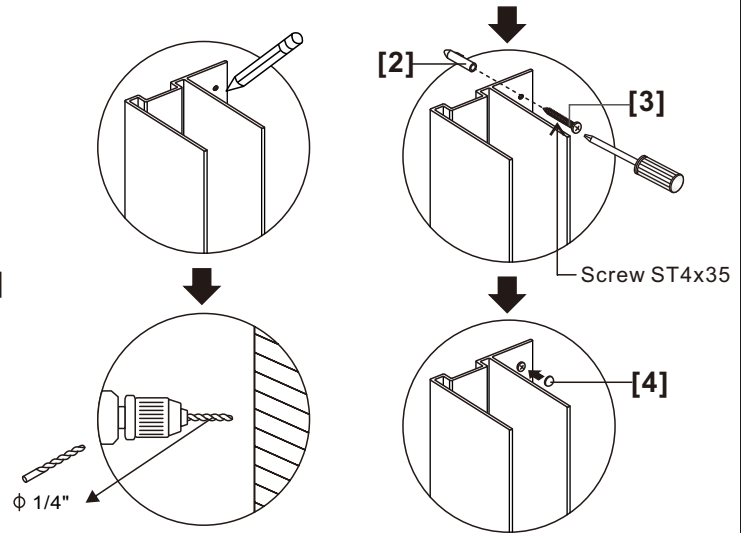


◆ Installation Steps

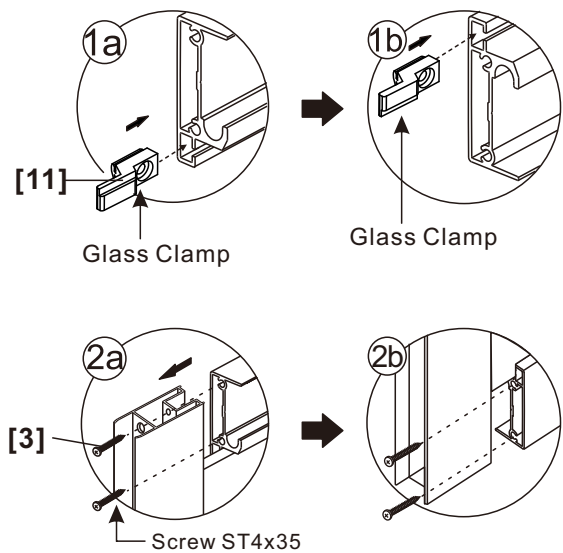
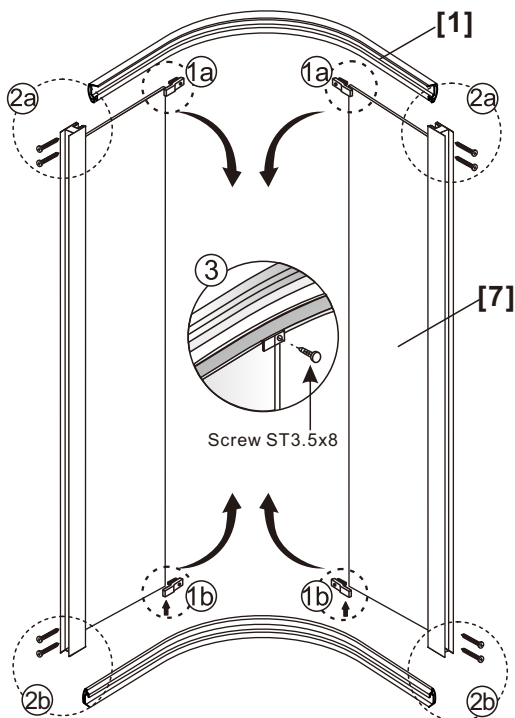
Step 1



The profile must be checked with the spirit level whilst marking.



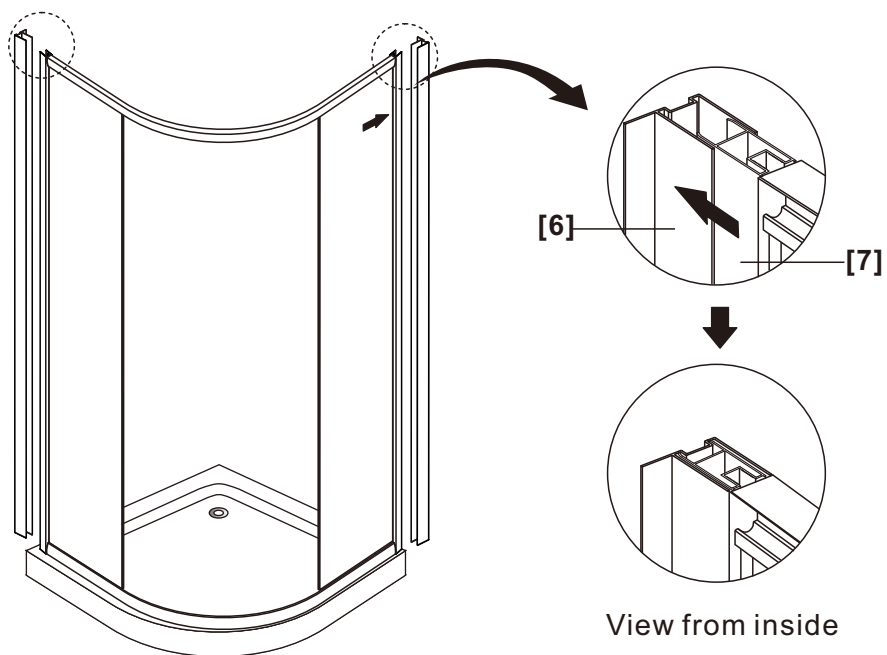
Step 2



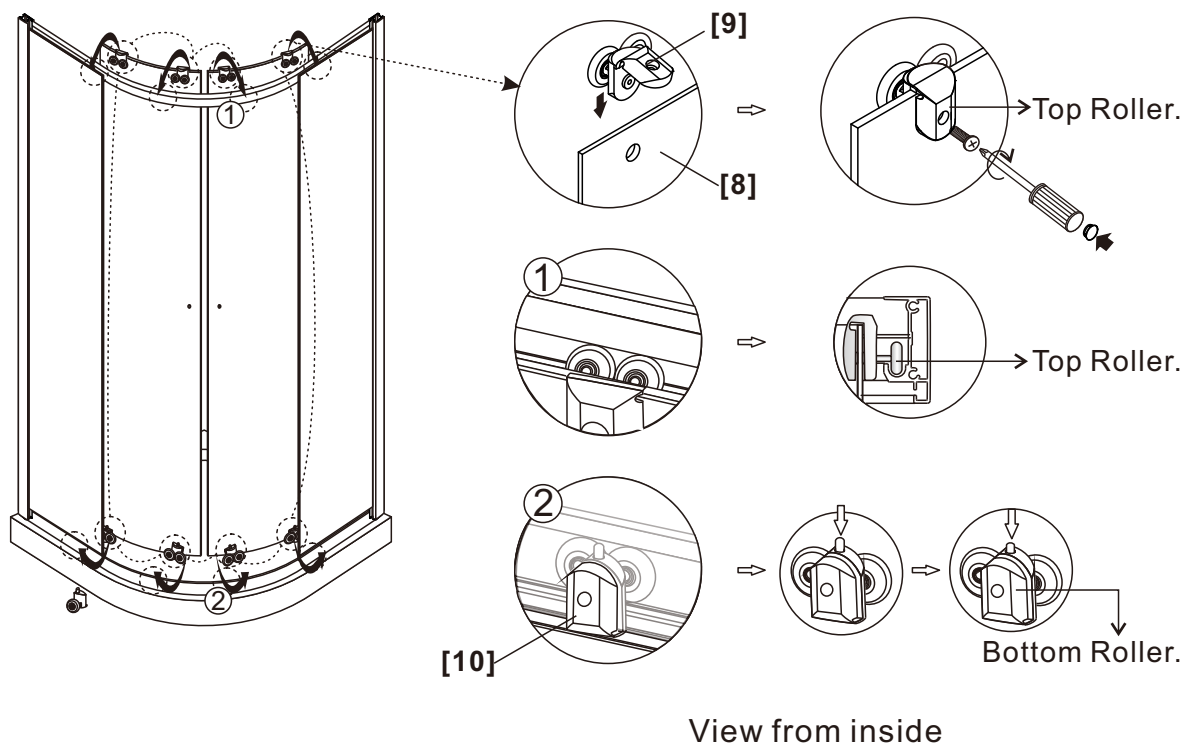
View from inside

⚠ Please note installation direction of the glass clamp!

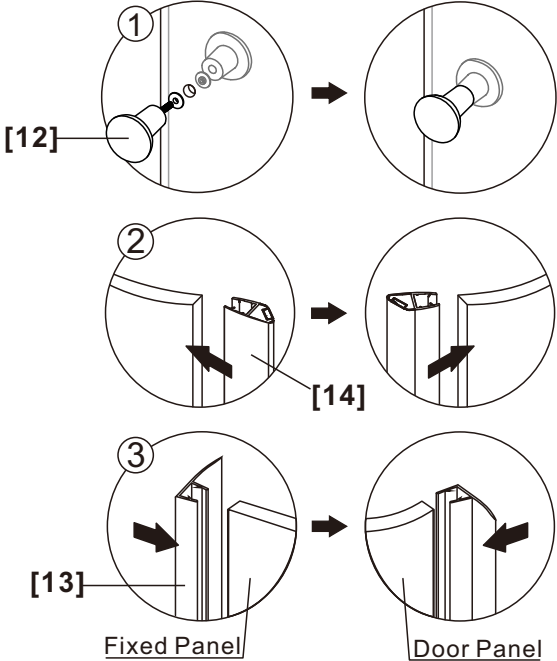
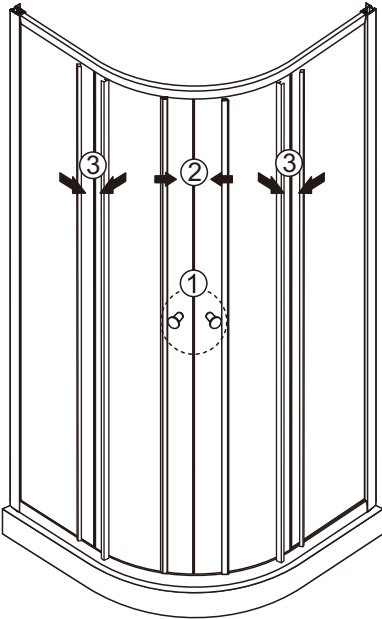
Step 3



Step 4

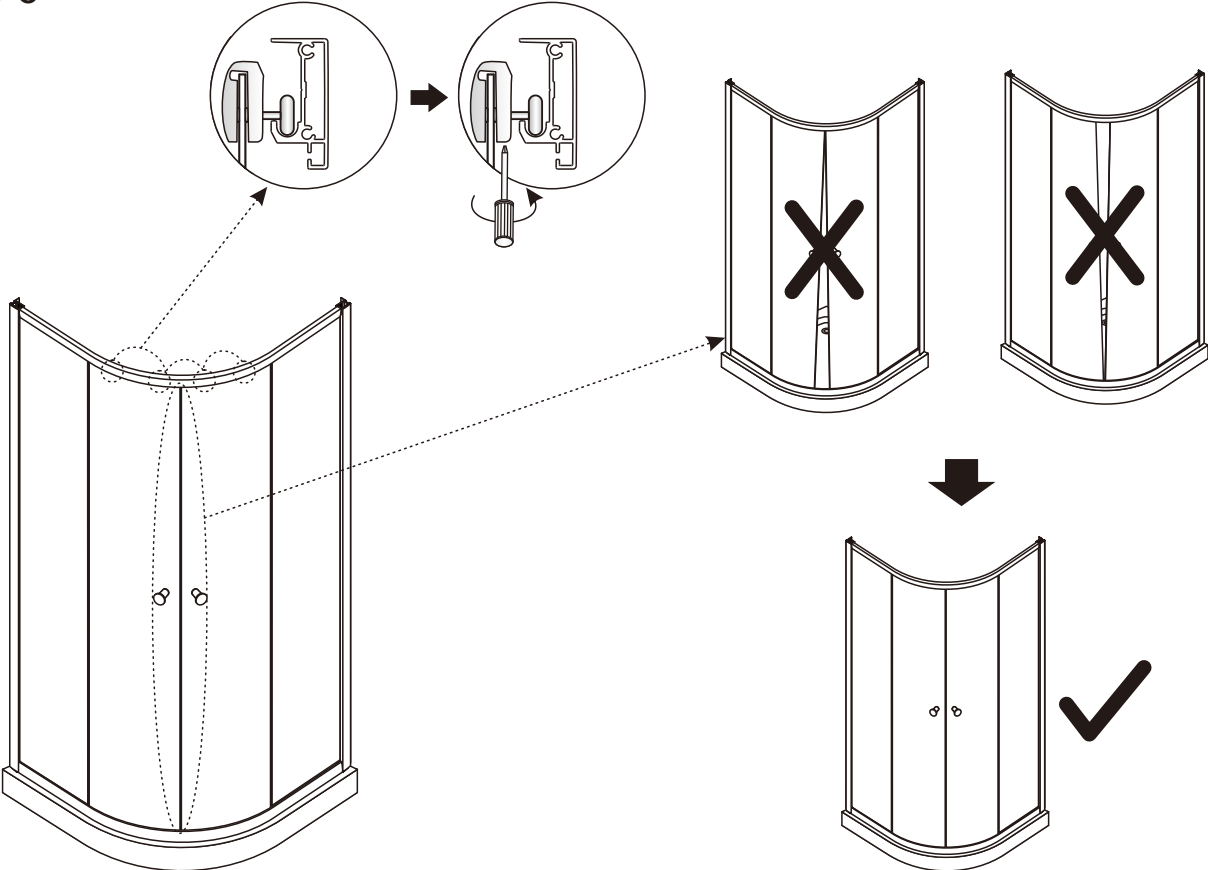


Step 5

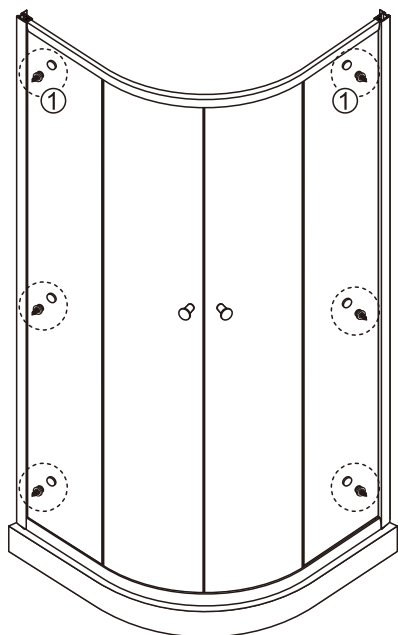


! Ensure wall profiles are plumb. Adjust enclosure to be square and level. Wheels should be adjusted to square the doors and ensure smooth running.

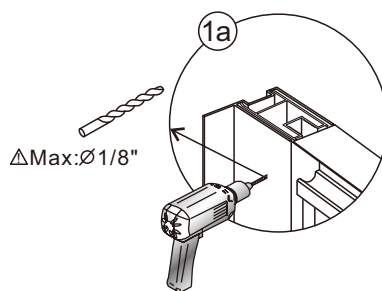
Step 6



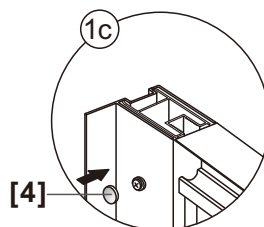
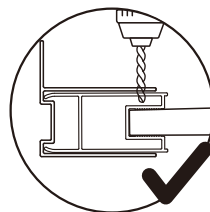
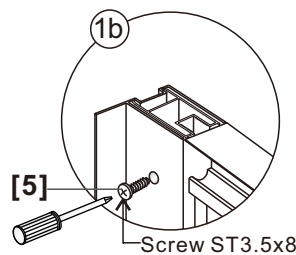
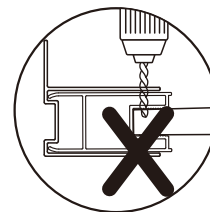
Step 7



Follow the indications on wall profiles to locate the drilling holes

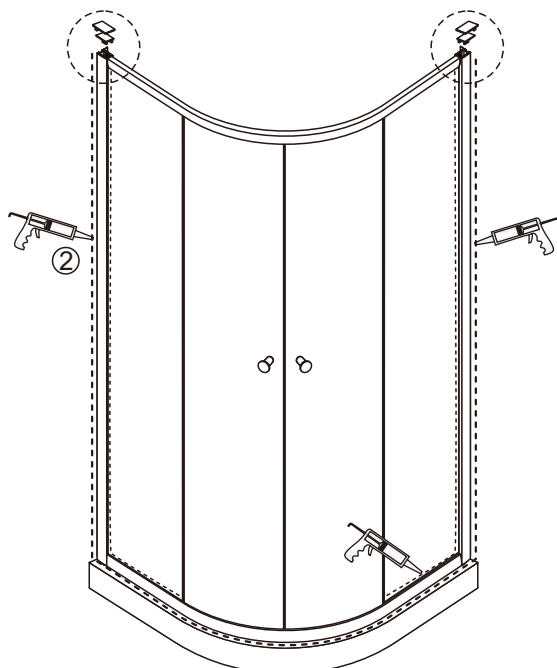


Take extra care not to drill through to exterior side.

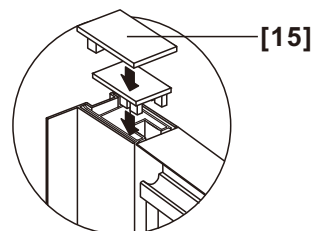


View from inside

Step 8



The sealant should be applied to the outside edge.



View from inside



Allow 24 hours for silicone to dry before use.