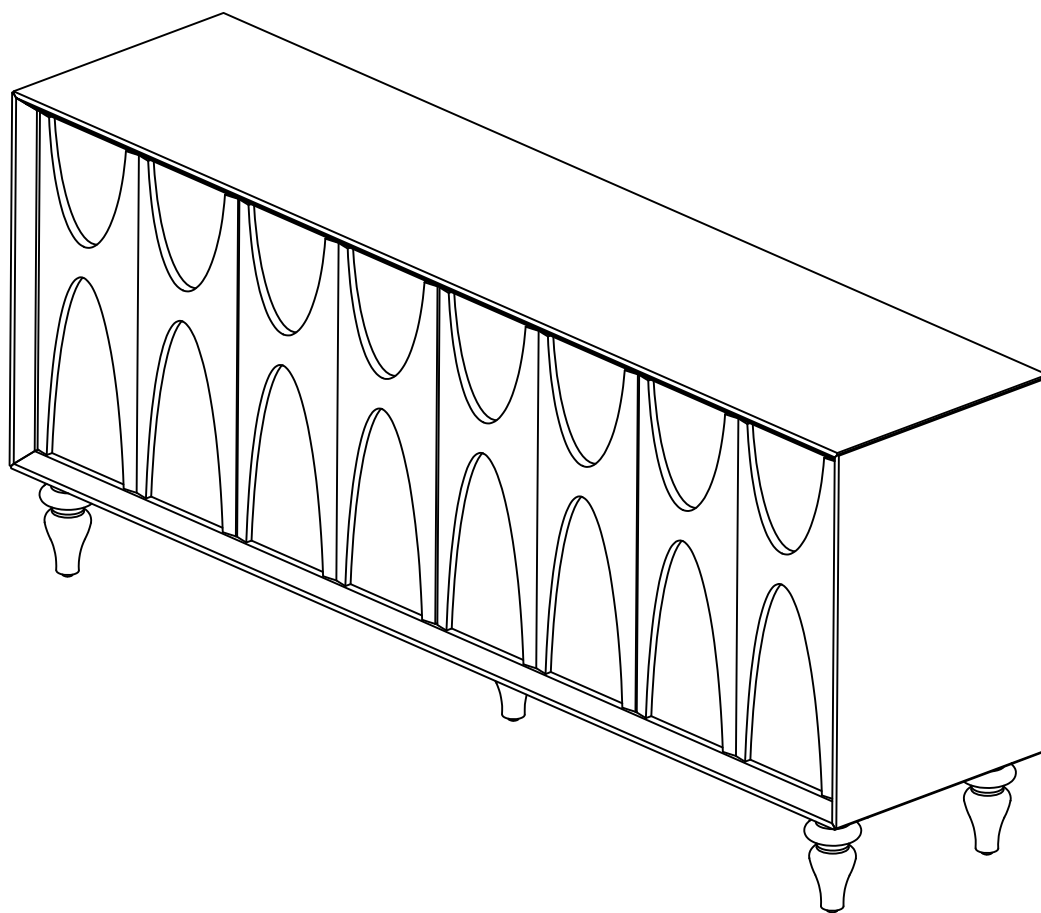


Assembly Instructions

Caution: You must read this before you proceed

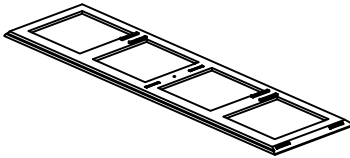
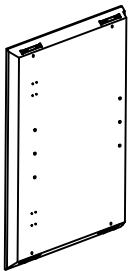
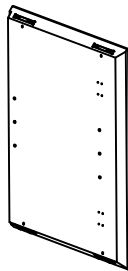
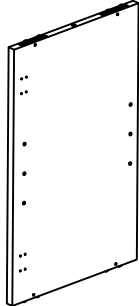
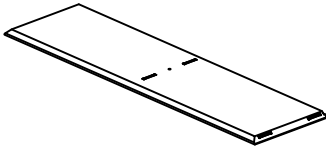
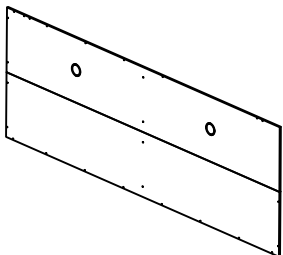
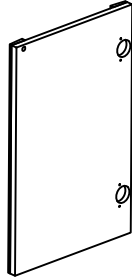
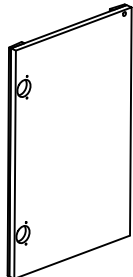
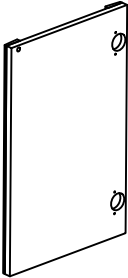
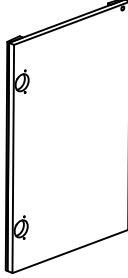
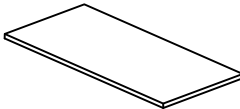
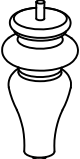
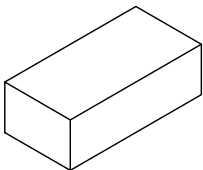
Sideboard



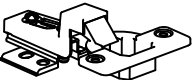
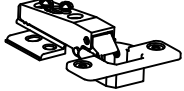


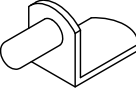
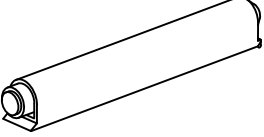
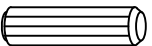

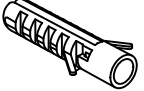
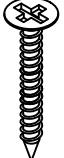

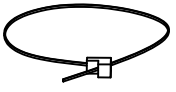
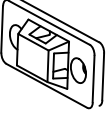
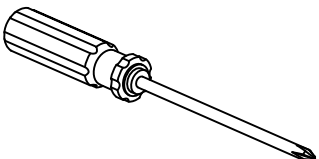
Product name:

sideboard

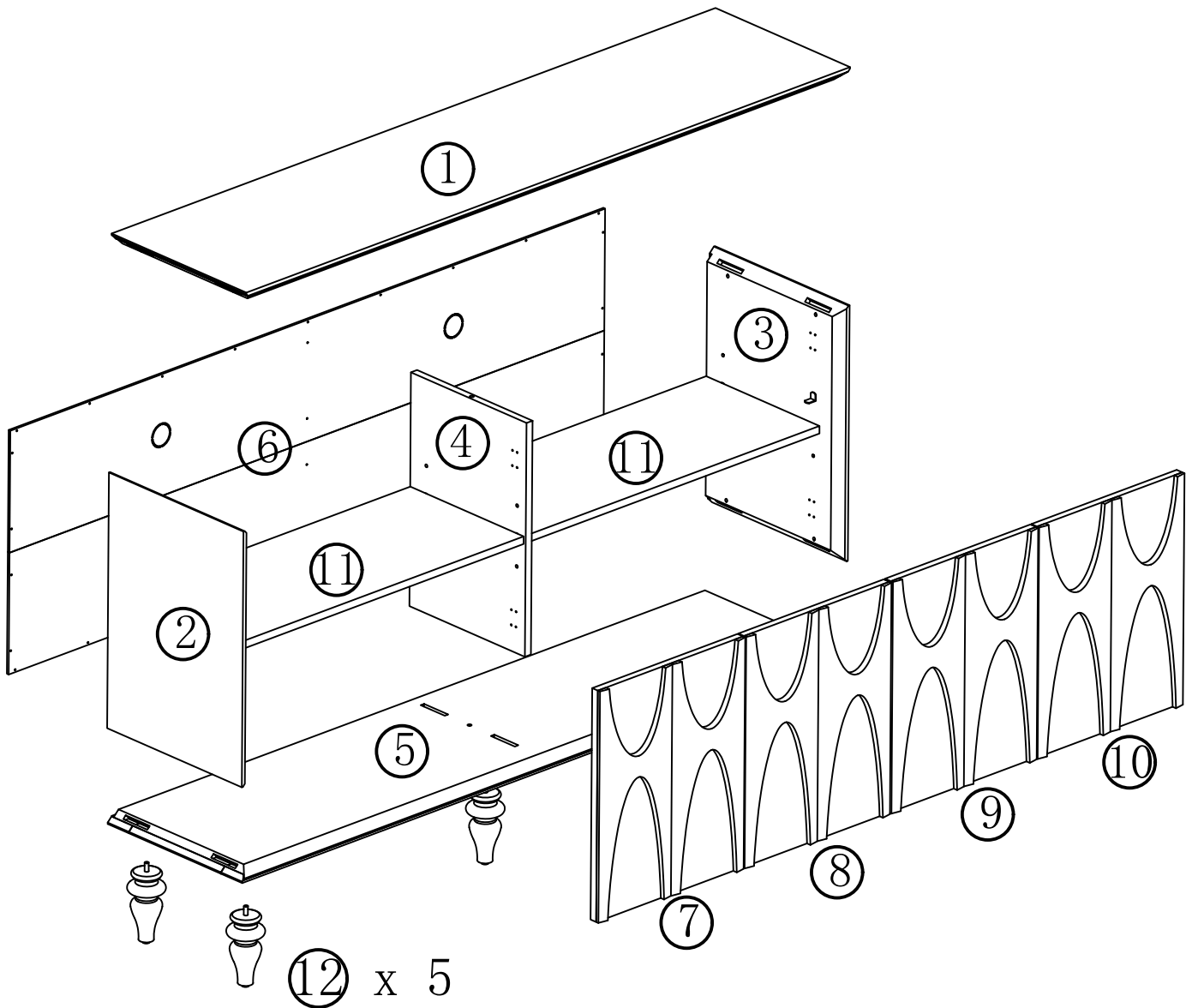
Parts list

<p>1 Top panel</p>  <p>2/2 x 1</p>	<p>2 The left side panel</p>  <p>2/2 x 1</p>	<p>3 The right side panel</p>  <p>2/2 x 1</p>	<p>4 The middle panel</p>  <p>1/2 x 1</p>
<p>5 Bottom panel</p>  <p>2/2 x 1</p>	<p>6 The back panel</p>  <p>2/2 x 1</p>	<p>7 The left side door</p>  <p>1/2 x 1</p>	<p>8 The left middle door</p>  <p>1/2 x 1</p>
<p>9 The right middle door</p>  <p>1/2 x 1</p>	<p>10 The right side door</p>  <p>1/2 x 1</p>	<p>11 The adjust shelves</p>  <p>2/2 x 2</p>	<p>12 The legs</p>  <p>2/2 x 5</p>
<p>13 Hardware box</p>  <p>2/2 x 1</p>			

Hardware

<p>A Larger cuts for side doors</p>  <p>x 4 pcs</p>	<p>B Smaller cuts fit in the middle doors</p>  <p>x 4 pcs</p>	<p>C Ø4x16mm screws</p>  <p>x 48 pcs</p>	<p>D M3.5x15mm screws</p>  <p>x 30 pcs</p>
<p>E Bracket</p>  <p>x 8 pcs</p>	<p>F Buffer</p>  <p>x 4 pcs</p>	<p>G wood dowel</p>  <p>x 2 pcs</p>	<p>H Allen Wrench 1/4"</p>  <p>x 1 pc</p>
<p>I Plastic Anchor (Wall Plug)</p>  <p>x 4 pcs</p>	<p>J M3.5x38mm</p>  <p>x 4 pcs</p>	<p>K M3x19mm</p>  <p>x 4 pcs</p>	<p>L Nylon Restraint Strap</p>  <p>x 2 pcs</p>
<p>M Mounting Brackets</p>  <p>x 4 pcs</p>	<p>Tools required (not included):</p>  <p>x 1 pc</p>		

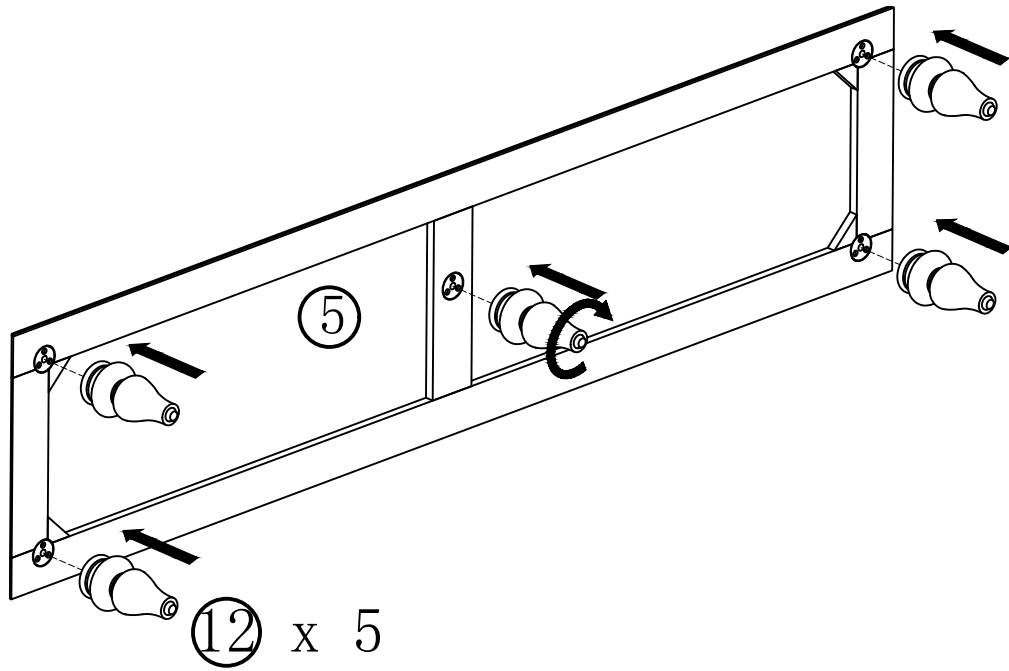
Overview



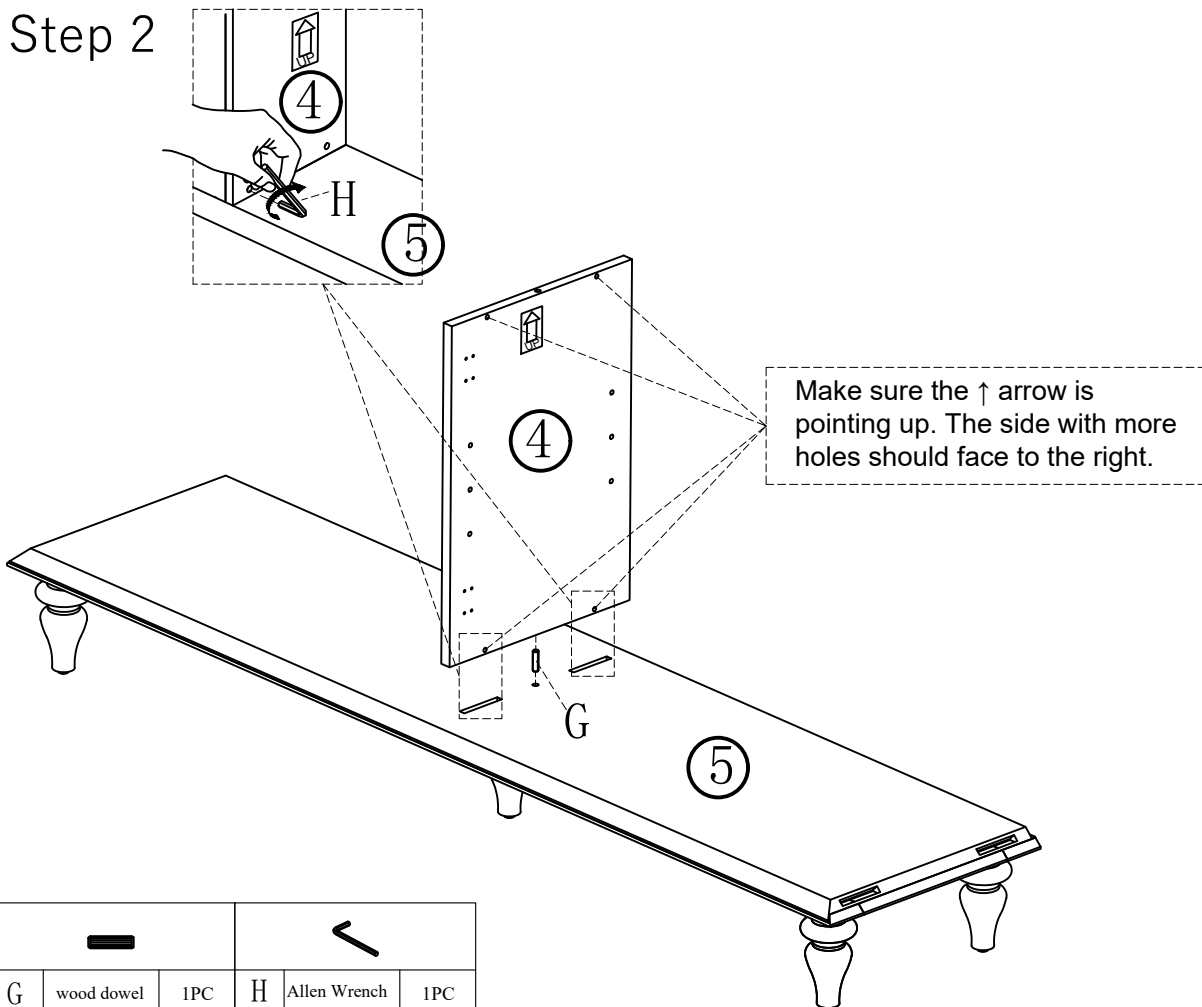
IMPORTANT :



- Read the instructions carefully from cover to cover.
- Do not assemble on flooring or carpet.
- Assemble on a clean non-marring surface (packing foam).
- Save all packaging until finished.
- Do not tighten bolts / screws completely until all bolts / screws are lined up and inserted into holes.
- Do not over tighten screws and bolts to avoid stripping.
- Please always use hand tools to assemble this product and never use power tools.

Step 1

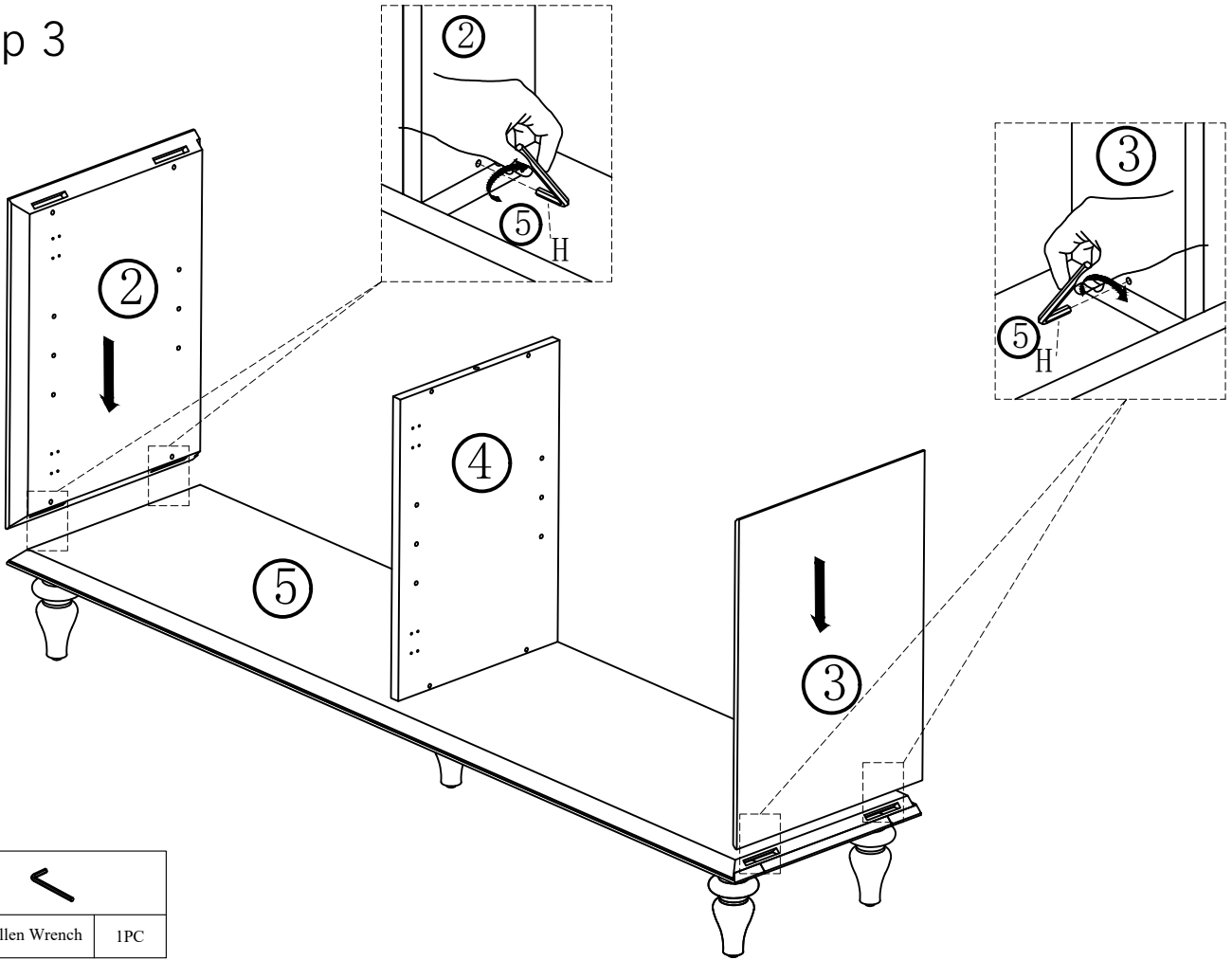


Step 2

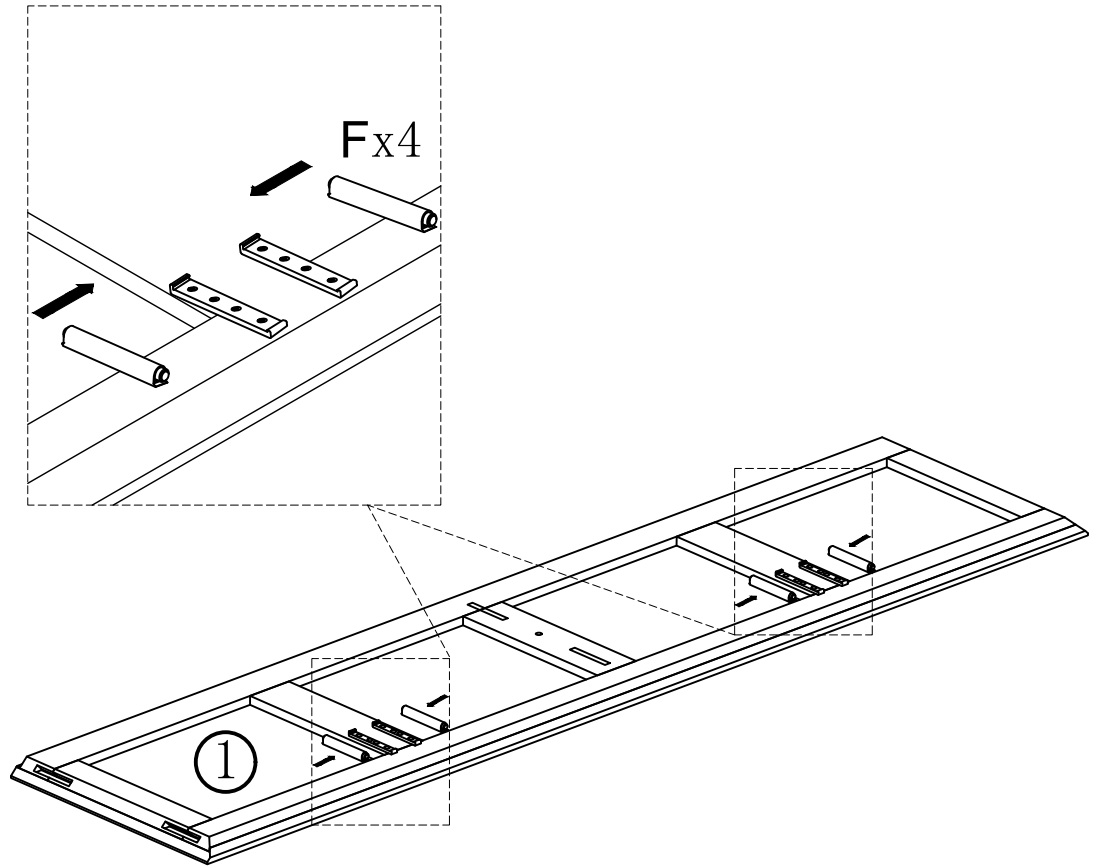


	
G wood dowel 1PC	H Allen Wrench 1PC

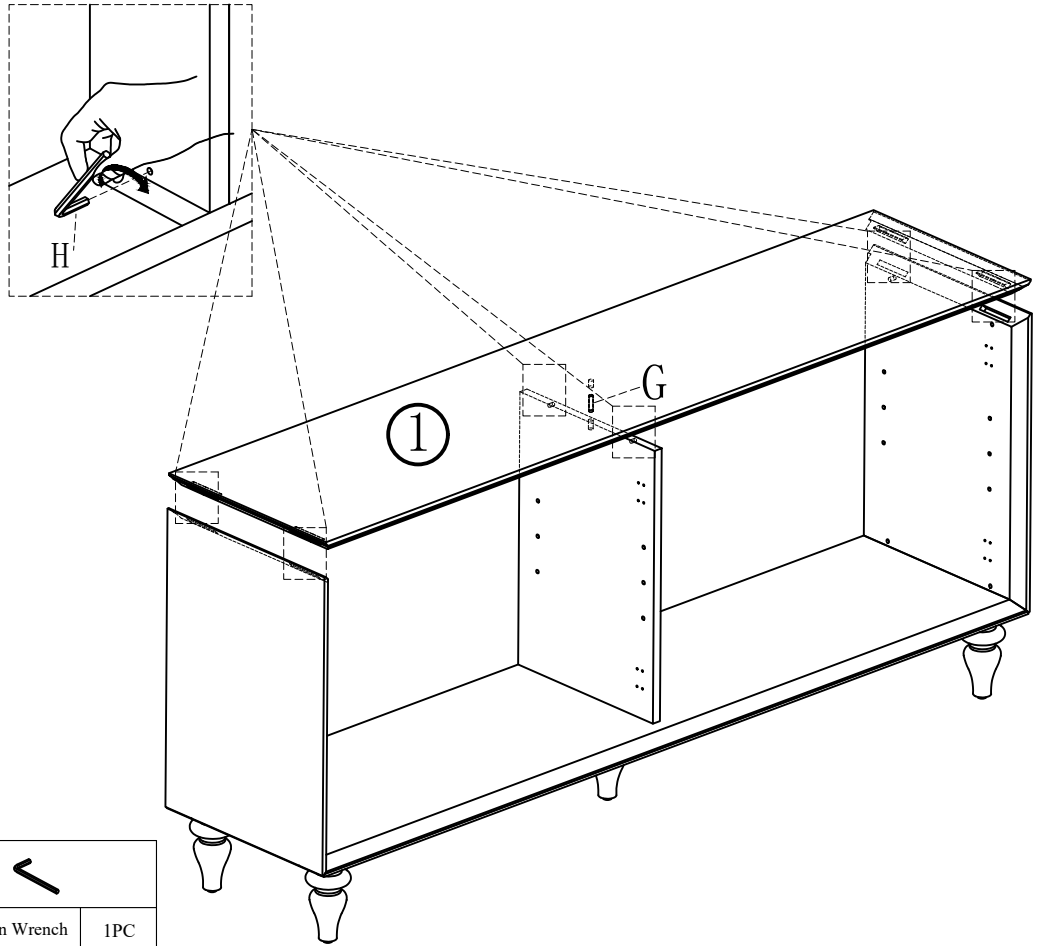
Step 3





Step 4

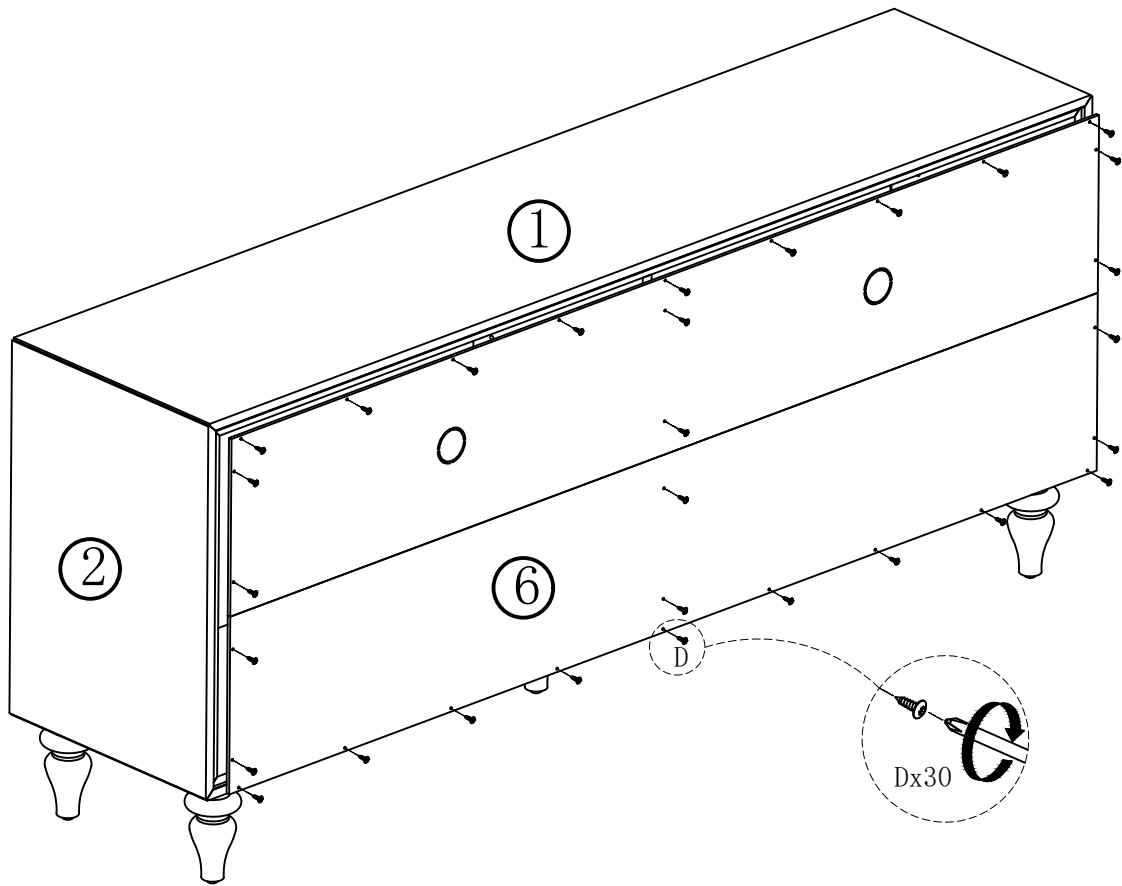



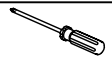
Step 5



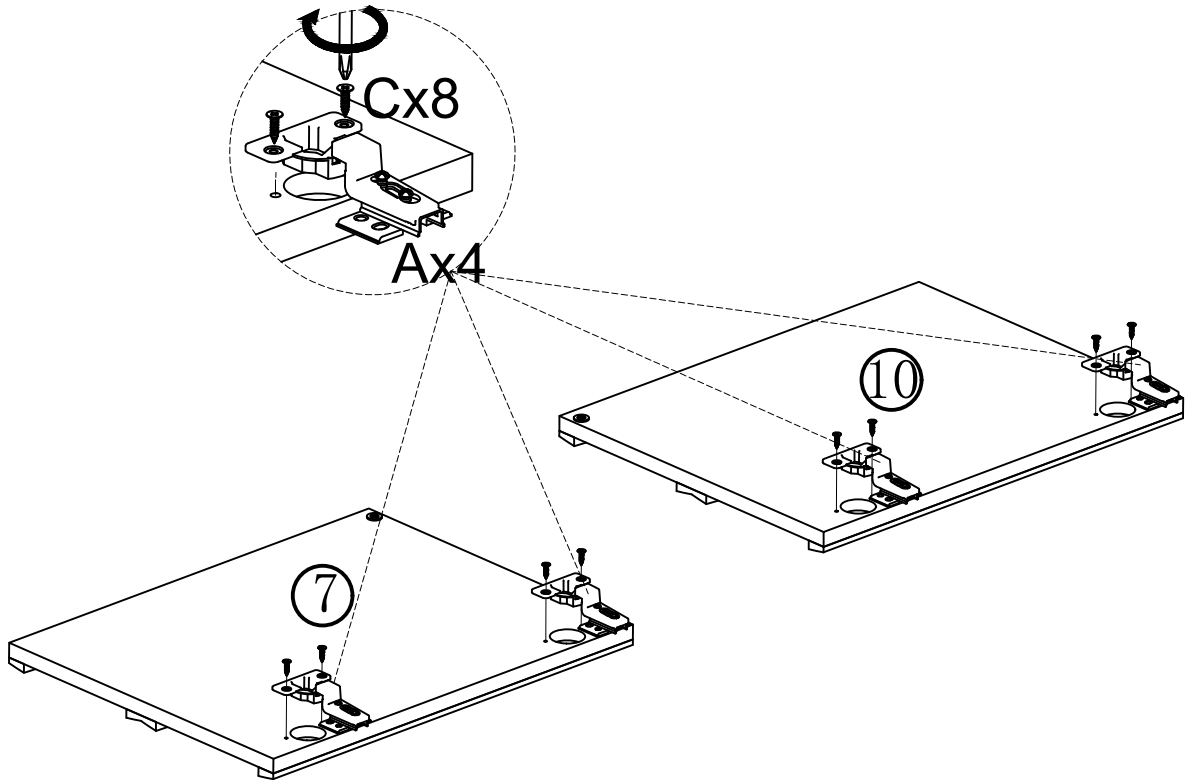
				
G	wood dowel	1PC	H Allen Wrench	1PC




Step 6



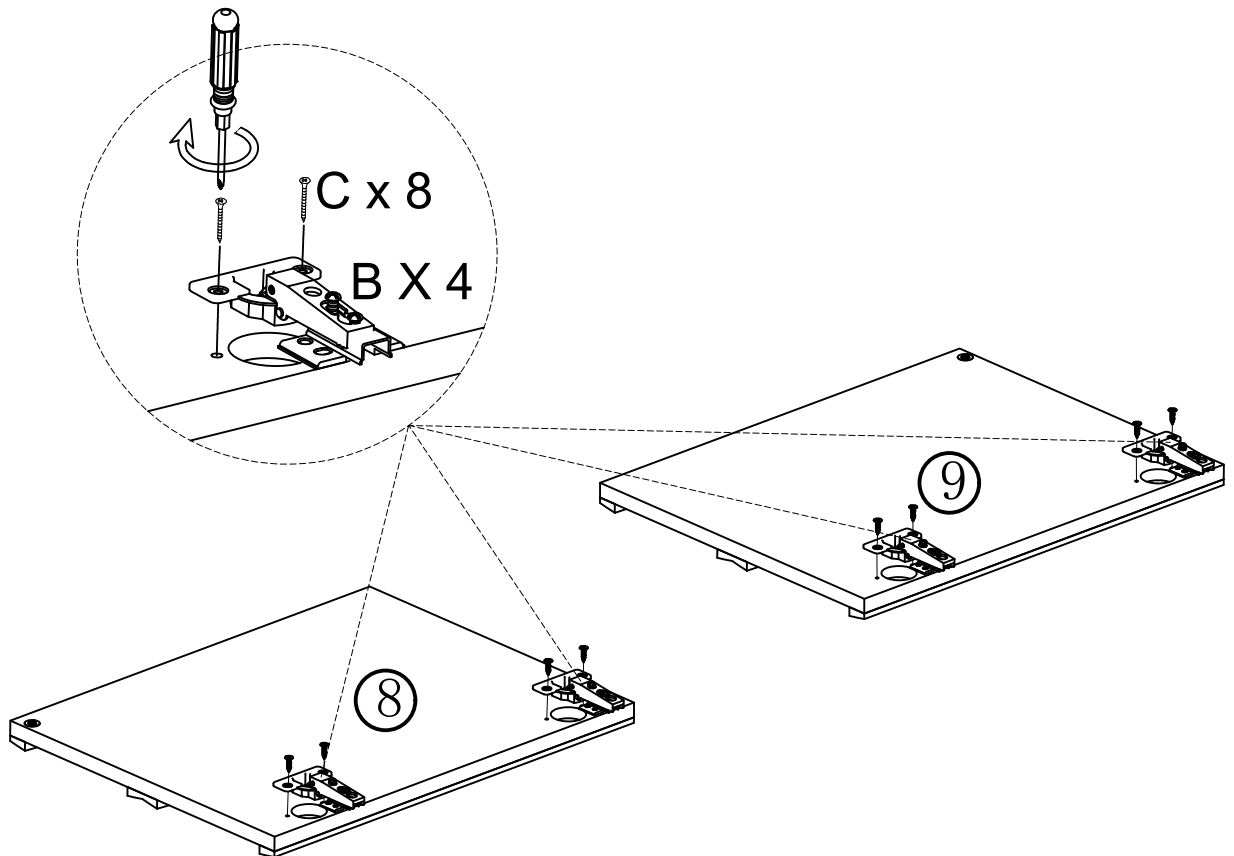
			
D	Ø3.5x15mm screws	30pcs	Not included

Step 7



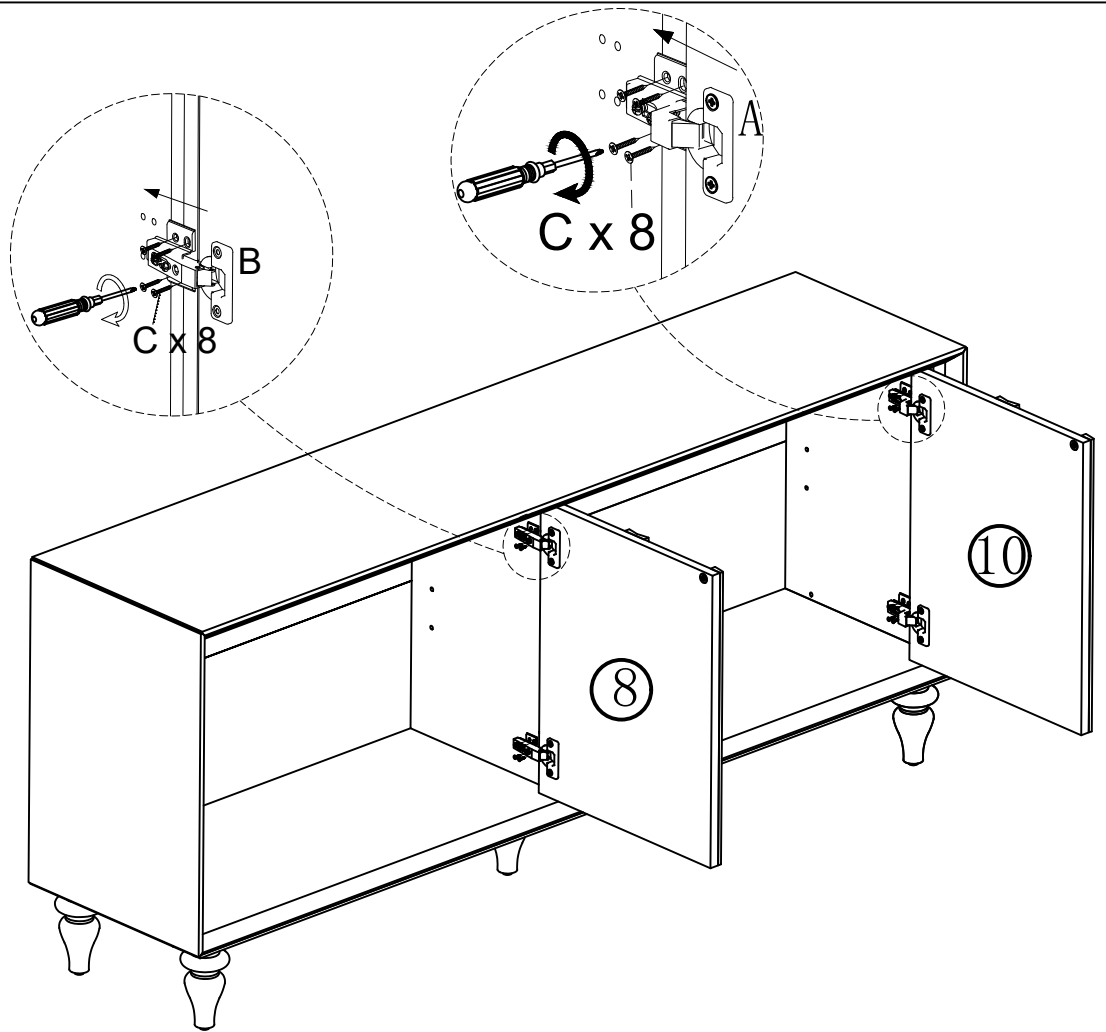
		
A Larger cuts for side doors 4PC	C Ø4x16mm screws 8PC	Not included



Step 8



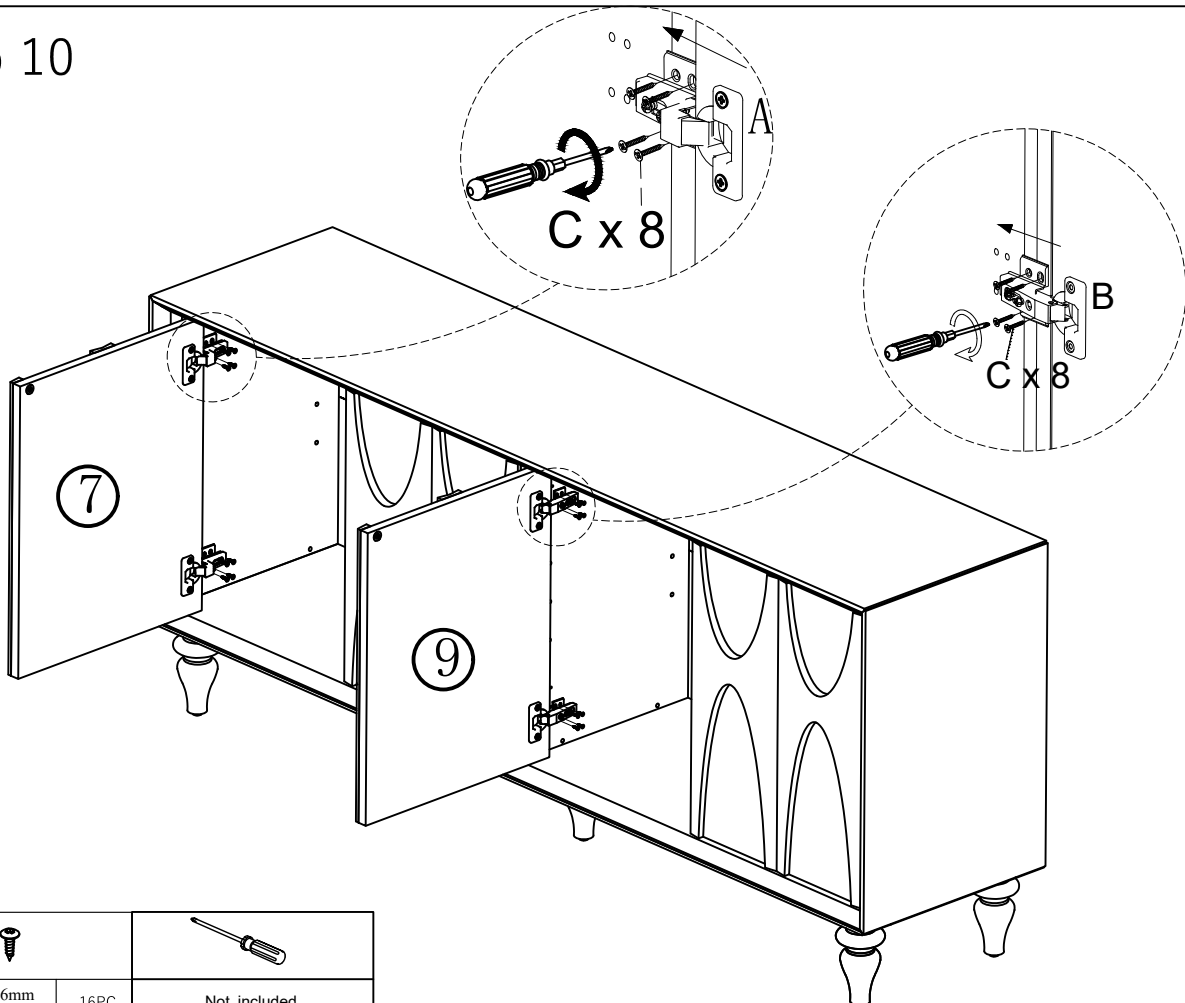
		
B Smaller cuts fit in the middle doors 4PC	C Ø4x16mm screws 8PC	Not included



Step 9



		
Not included		
		
C	Ø4x16mm screws	16PC

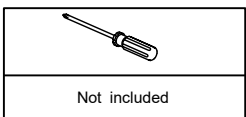
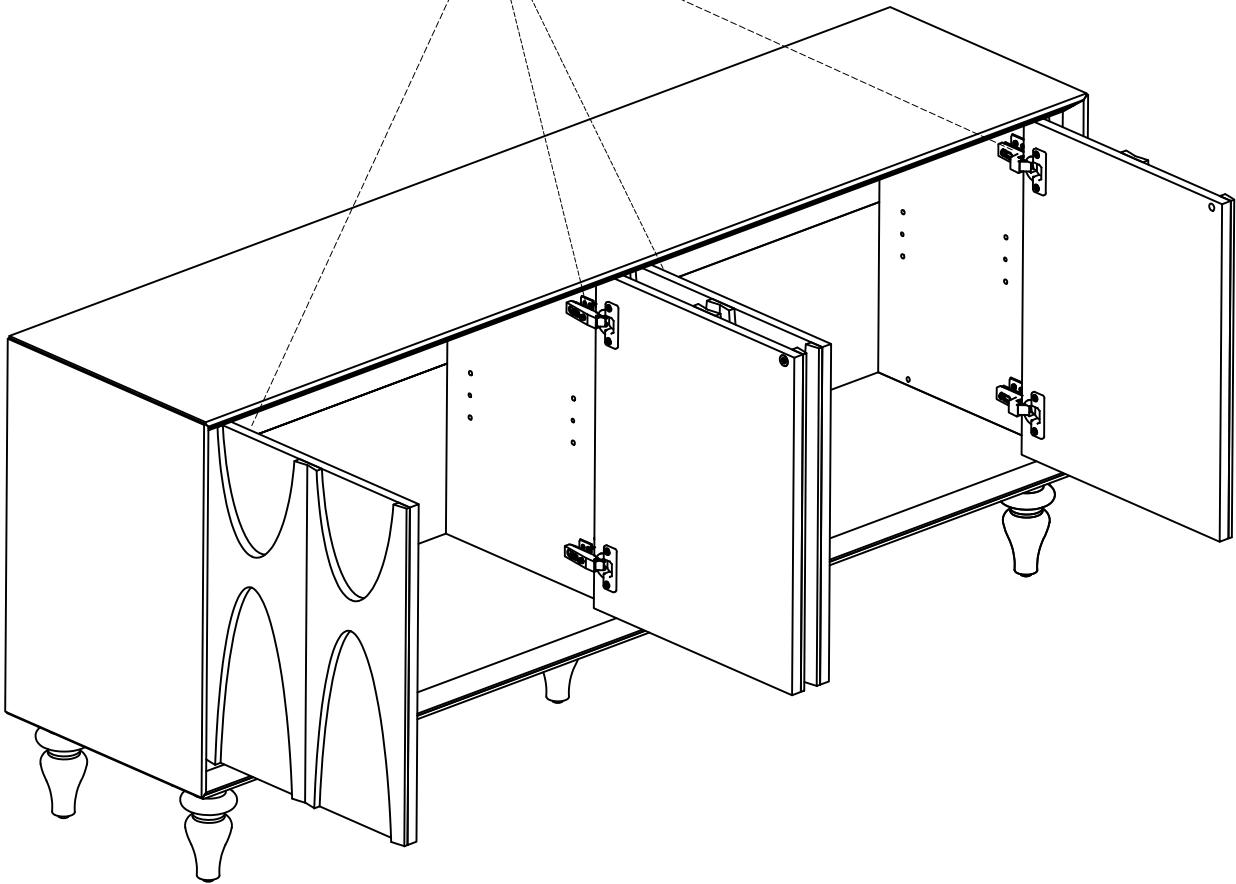
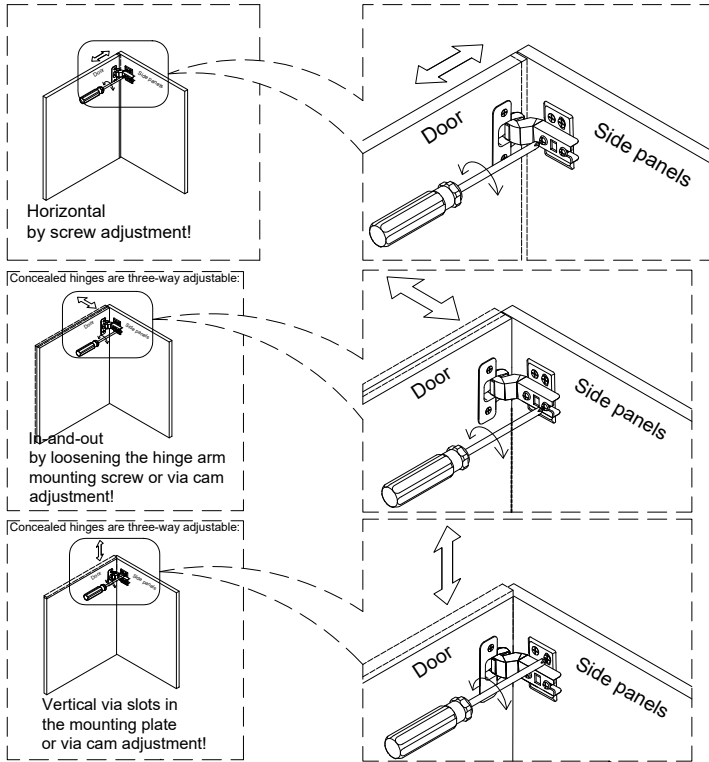
Step 10



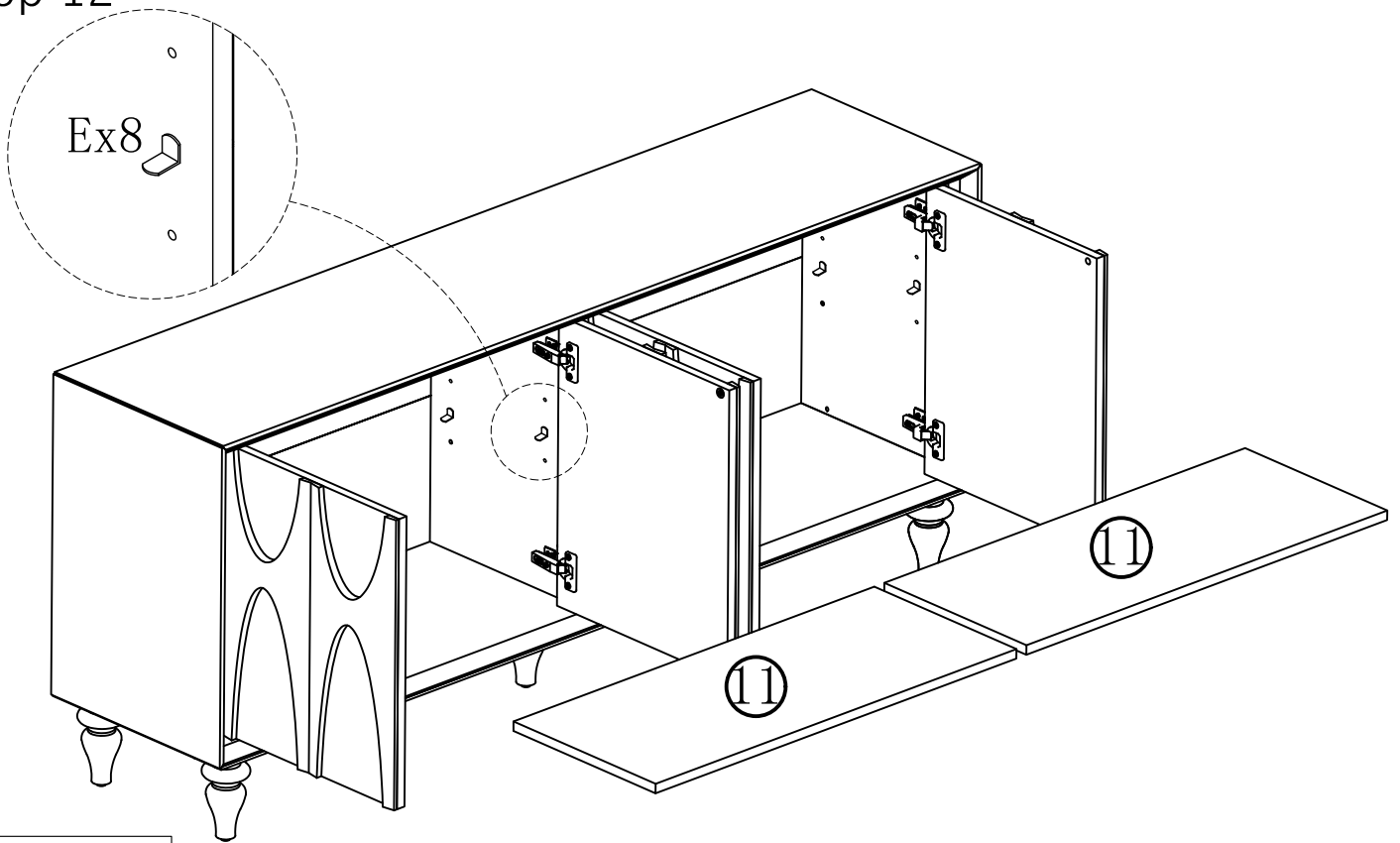
			
C	Ø4x16mm screws	16PC	Not included


Step 11

Note: Concealed hinges are three-way adjustable.

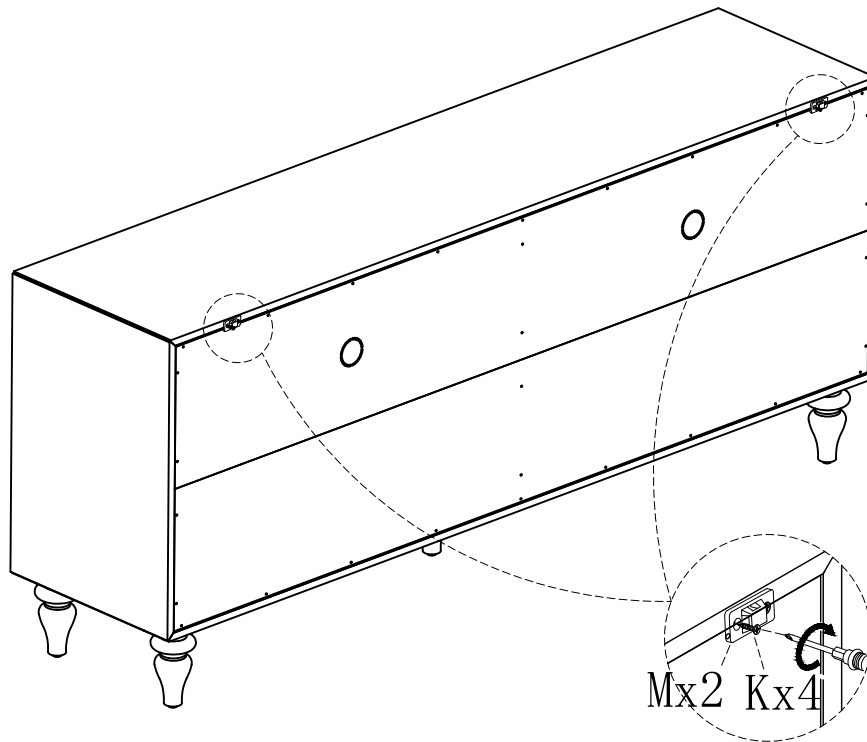




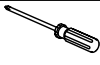
Step 12



		
E	Bracket	8PC

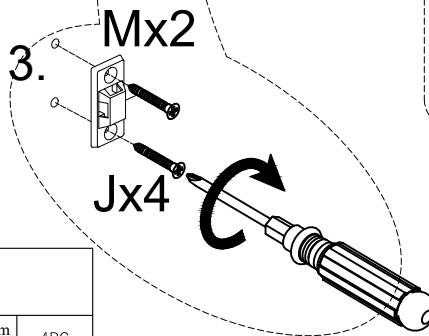
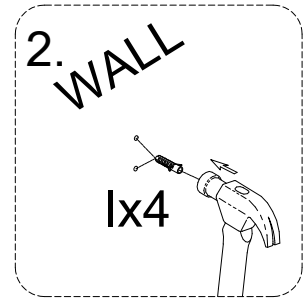
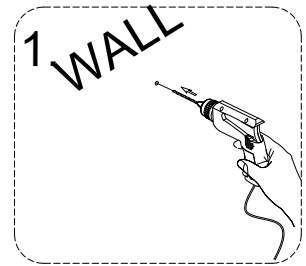
Step 13



					
M	Mounting Brackets	2PC	K	M3.5x19mm screws	4PC
Not included					

Step 14

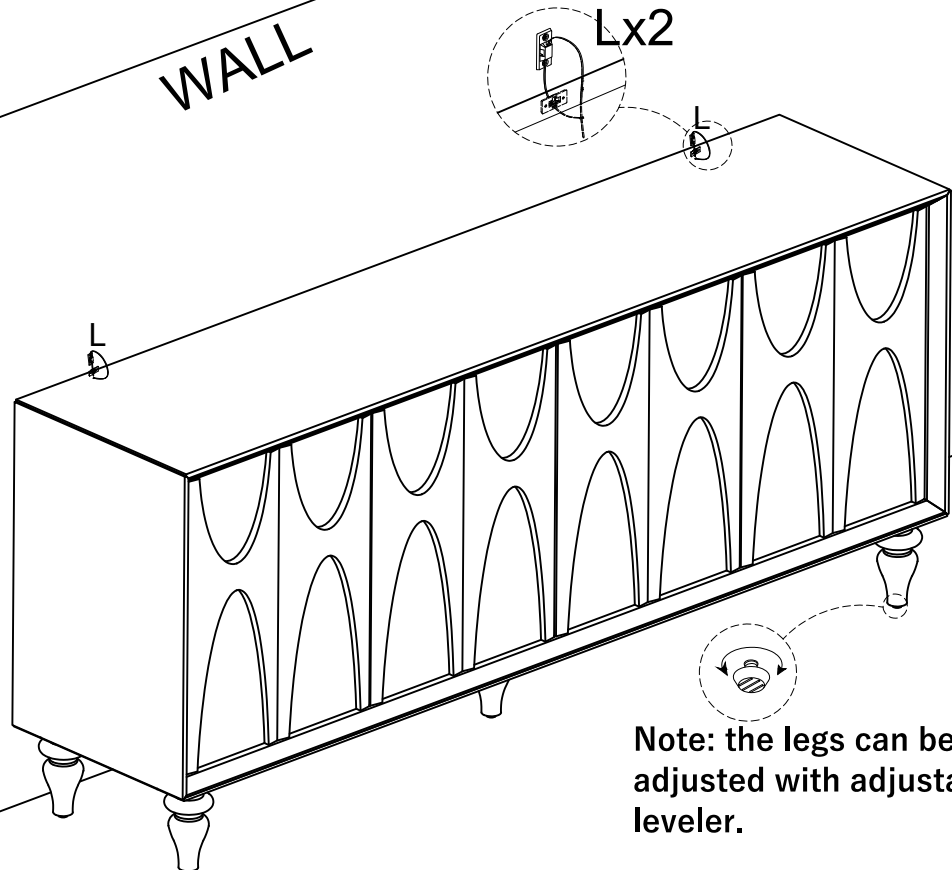
WALL



		Not included							
M	Mounting Brackets	2PC	I	Plastic Anchor (Wall Plug)	4PC	J	M3.5x38mm screws	4PC	

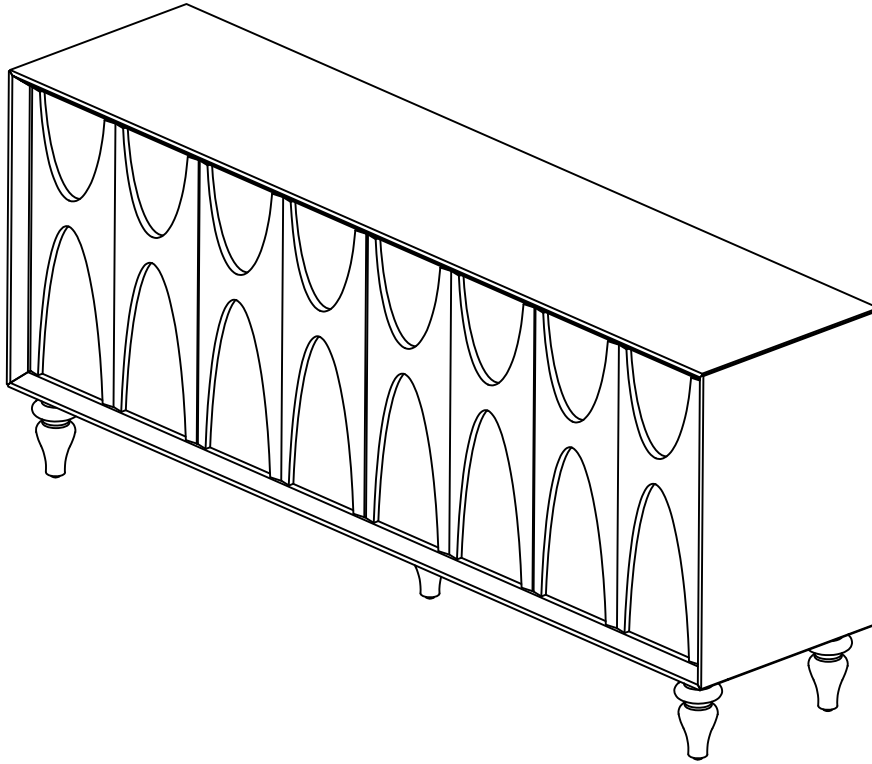
Step 15

WALL



Note: the legs can be adjusted with adjustable leveler.

L	Nylon Restraint Strap	2PC



Your Item is ready for use.
This Item should only be used on a flat, level surface.

Care & Maintenance

- Furniture may scratch the floor. We recommend using furniture pads to protect your floors.
- Avoid placing heavy objects on the tabletop.
- Do not put hot items directly on furniture surface.
- Do not clean furniture with harsh cleansers or polishers.
- Do not place furniture under direct sunlight.
- Do not place furniture near heating or cooling vents.
- Do not expose the product to high temperatures or humid environments.
- Do not write on furniture without a padded barrier to protect the surface.
- Do not place furniture outside. For indoor use only.
- Stains may be removed with mild soap solution and damp cloth.
- Children should not climb or jump on the furniture.
- Dust and clean up spills using a clean, non-colored, lint-free cloth.
- Regularly check screws to ensure stability.

Dear Customer,

Thank you for your purchase! We are committed to providing you with high-quality products and services. We hope you enjoy the comfort and convenience brought by this Item. If you have any further questions or any quality issues, please don't hesitate to contact our Customer Service People: