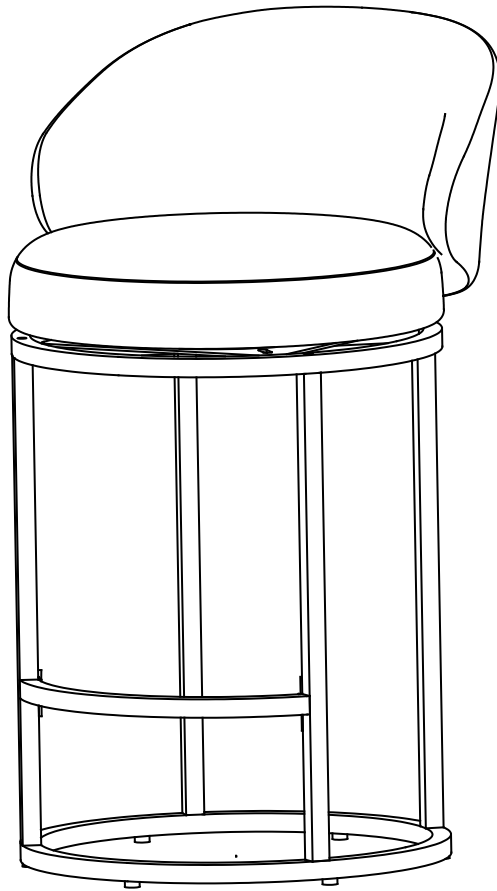







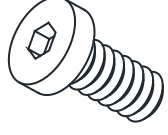
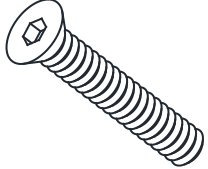
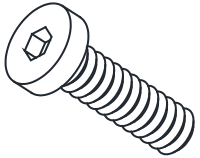




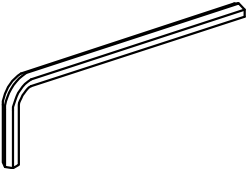

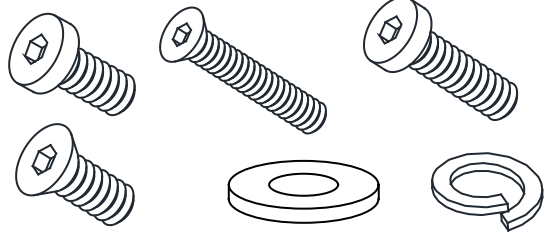

Assembly Manual

Counter Height Swivel Stool



 **CAUTION**

THIS ASSEMBLY MANUAL CONTAINS IMPORTANT SAFETY INFORMATION.
PLEASE READ AND KEEP FOR FUTURE REFERENCE.

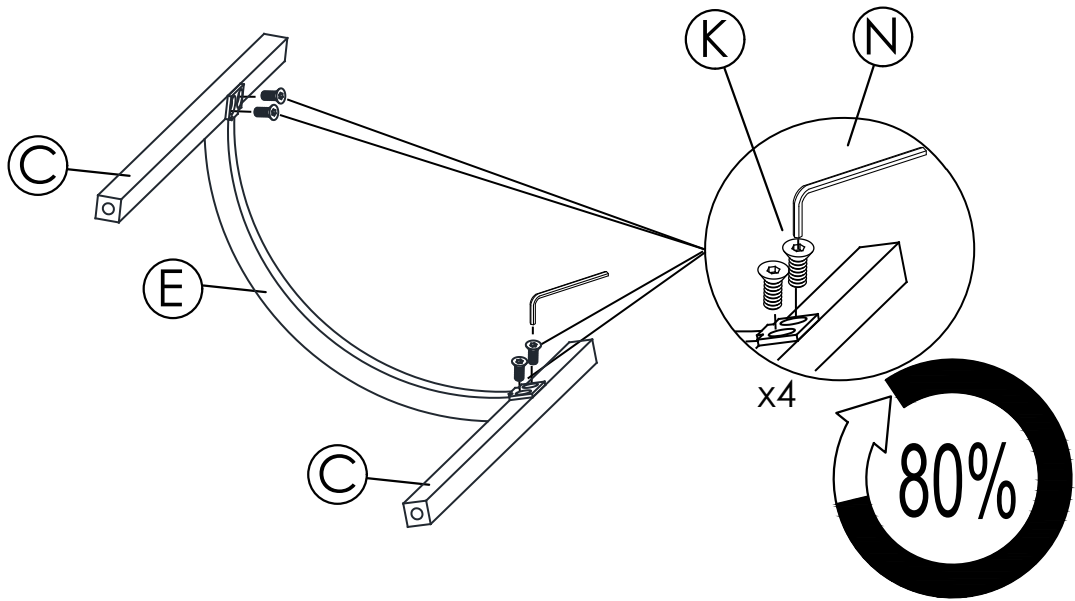
<p>Ax1</p>  <p>Seat</p>	<p>Bx1</p>  <p>Upper Base</p>	<p>Cx2</p>  <p>Front Leg</p>	<p>Dx2</p>  <p>Back Leg</p>
<p>Ex1</p>  <p>Footrest</p>	<p>Fx1</p>  <p>Bottom Base</p>	<p>Gx1</p>  <p>Swivel Plate</p>	<p>Hx6</p>  <p>M6 x 18mm Bolt</p>
<p>Ix8</p>  <p>M8 x 35mm Bolt</p>	<p>Jx2</p>  <p>M6 x 25mm Bolt</p>	<p>Kx4</p>  <p>M6 x 16mm Bolt</p>	<p>Lx8</p>  <p>Ø6xØ18 Flat Washer</p>
<p>Mx8</p>  <p>M6 Spring Washer</p>	<p>Nx1</p>  <p>4# Allen Wrench</p>	<p>Ox1</p>  <p>5# Allen Wrench</p>	<p>Px6</p>  <p>15mm Felt Pad</p>
<p>Extra Hardware</p> 			

Please read through the instructions below to familiarize yourself with the parts and steps before assembly.

Note: Do NOT use power tools for assembly.

ASSEMBLY INSTRUCTIONS

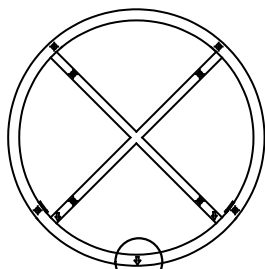
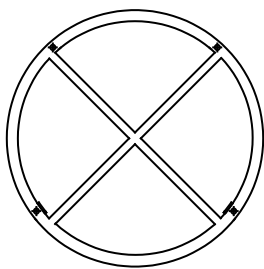
- 1** Attach two Front Legs (C) and the Footrest (E), using Short Bolts (K) and 4# Allen Wrench (N). **Do not fully tighten yet.**



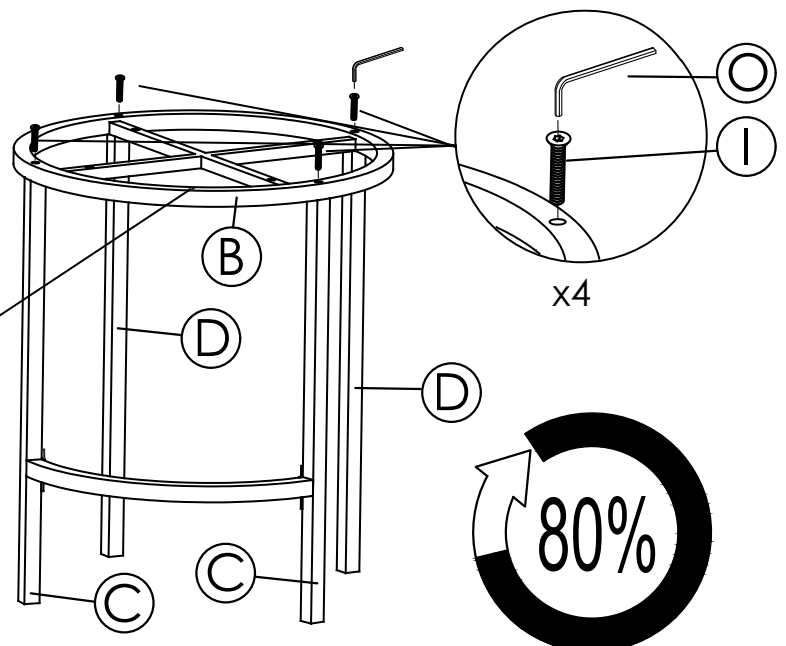
- 2** Make sure you have the Top Side of the Upper Base (B). Attach Front Legs (C) and Back Legs (D) with the Upper Base (B), using Long Bolts (I) and 5# Allen Wrench (O). **Do not fully tighten yet.**

Bottom Side

Top Side

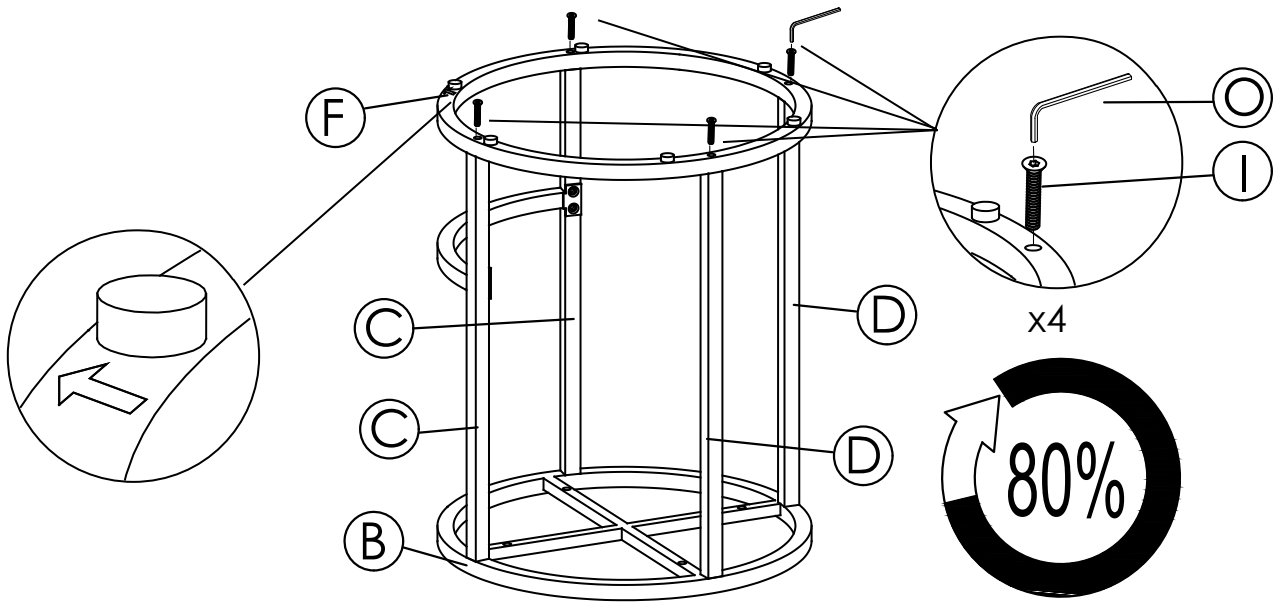


Note: the arrow on the Top Side must face forward, aligning with the footrest.

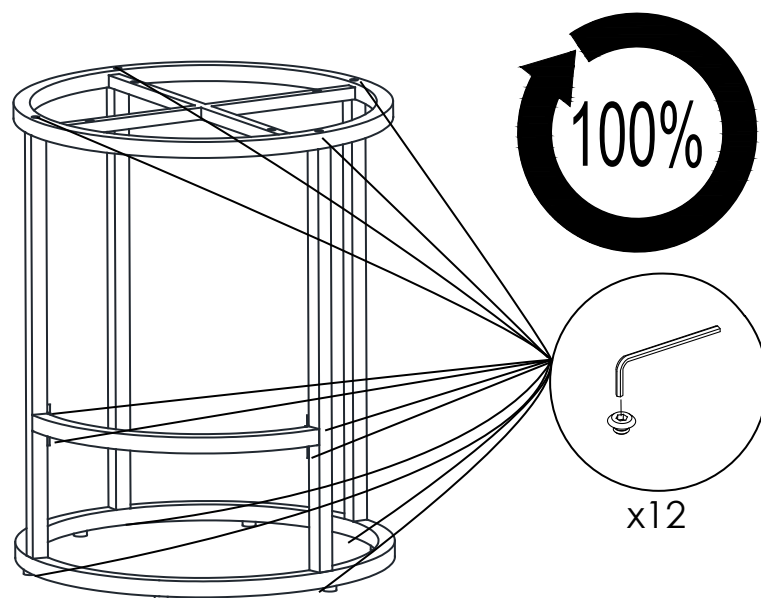


-
- 3** Attach the Bottom Base (F) and the assembled frame from Step 2, using Long Bolts (I) and 5# Allen Wrench (O). **Do not fully tighten yet.**

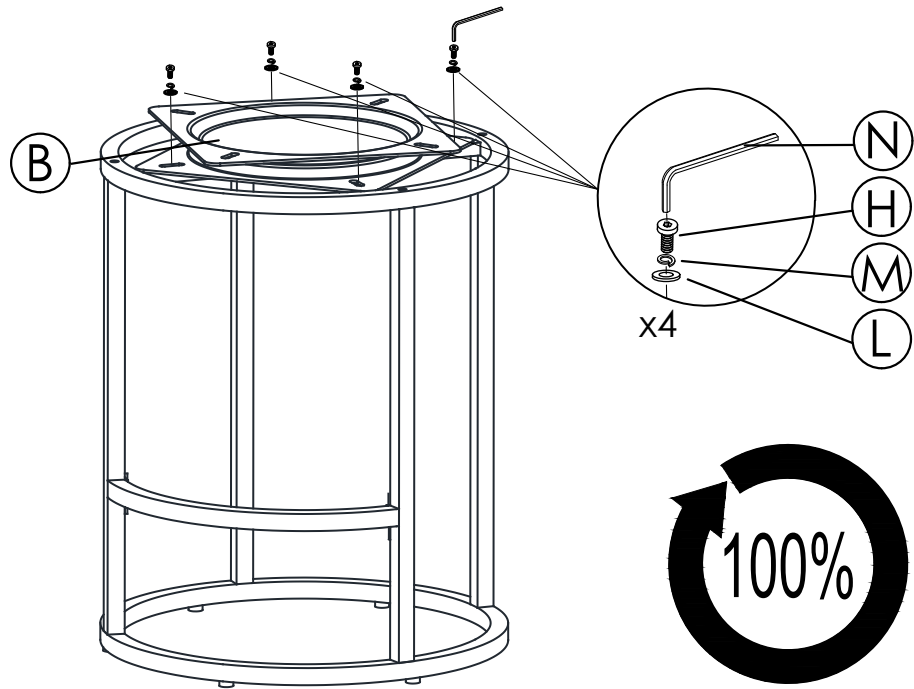
Note: The arrow on the Bottom Base (F) must face forward, align with the arrow on the Upper Base.



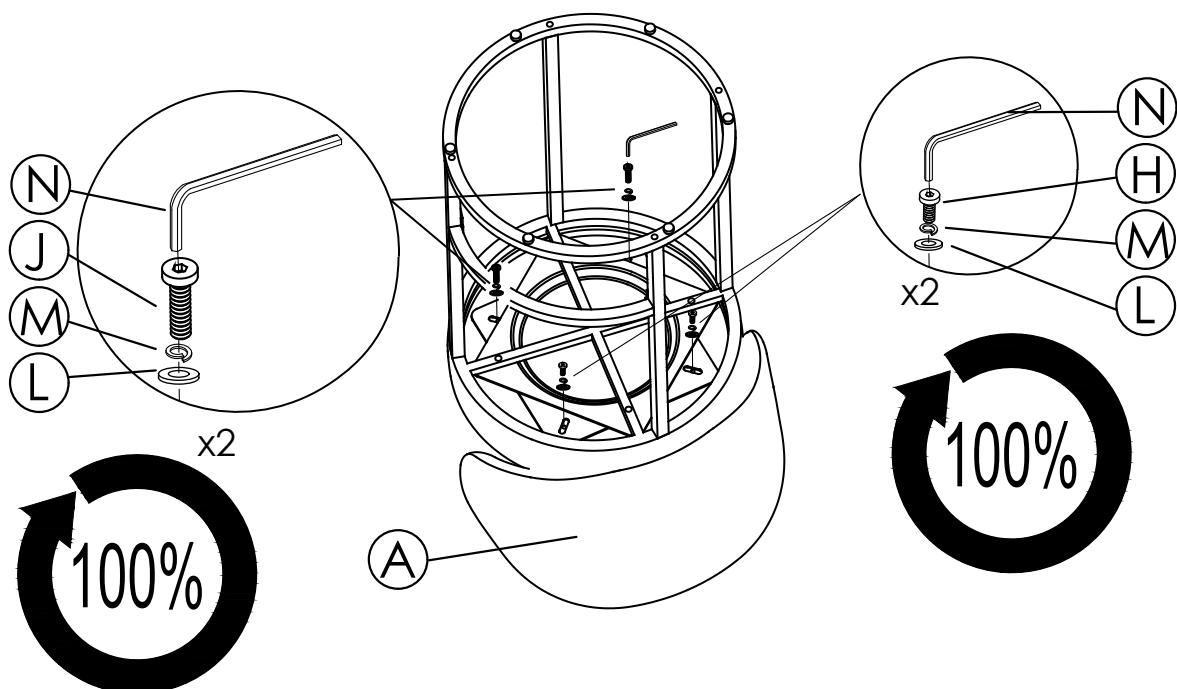
- 4** Adjust the angle of four legs slightly and fully tighten all bolts.



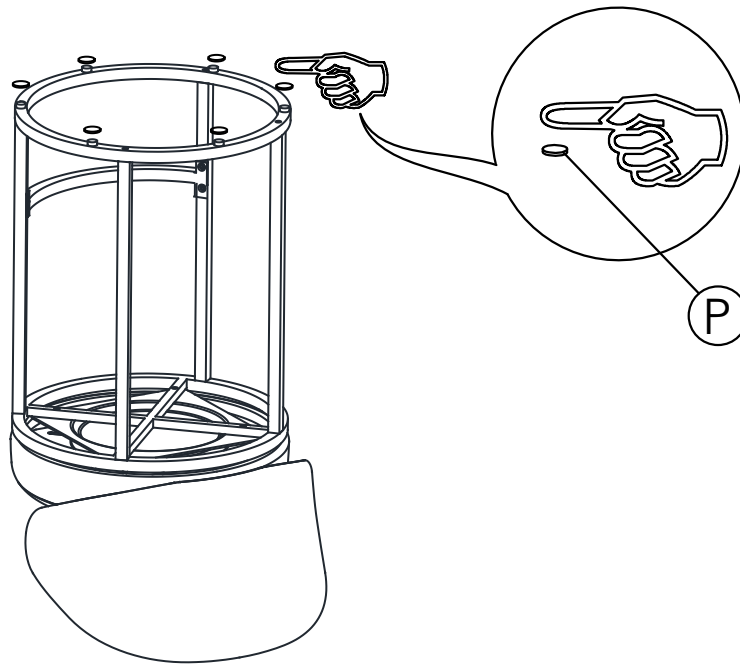
- 5** Attach the Swivel Plate (G) and the assembled frame from Step 4, using Flat Washers (L), Spring Washers (M), 18mm Bolts (H), and 4# Allen Wrench (N). **Fully tighten.**



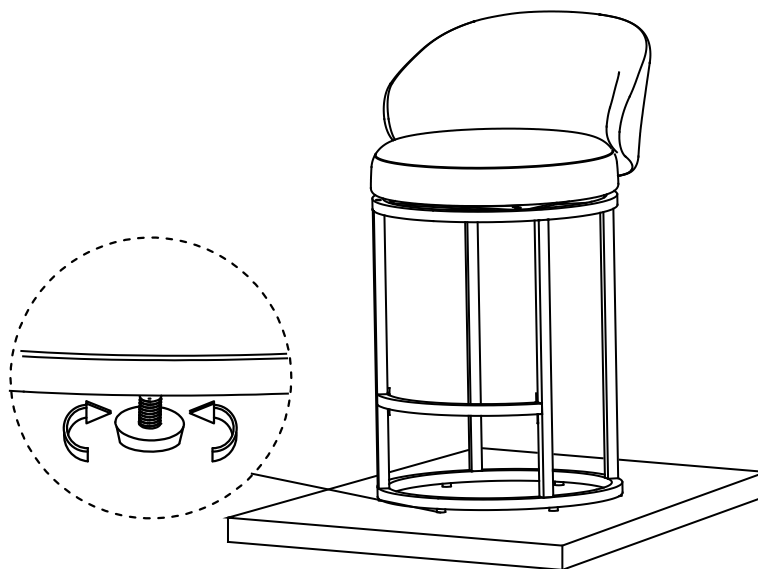
- 6** Attach the front holes of the Seat (A) and the assembled frame from Step 5, using Flat Washers (L), Spring Washers (M), 25mm Bolts (J), and 4# Allen Wrench (N). Attach the back ones, using Flat Washers (L), Spring Washers (M), 18mm Bolts (H), and 4# Allen Wrench (N). **Fully tighten all bolts.**



-
- 7** Complimentary Felt Pads (P) are included to help protect your floor or make the stool slide more easily.



- 8** Turn assembled stool upright and place on a flat surface.
Note: Each leg has an adjustable foot leveler to help level your stool.



9 Assembly complete. Enjoy.

