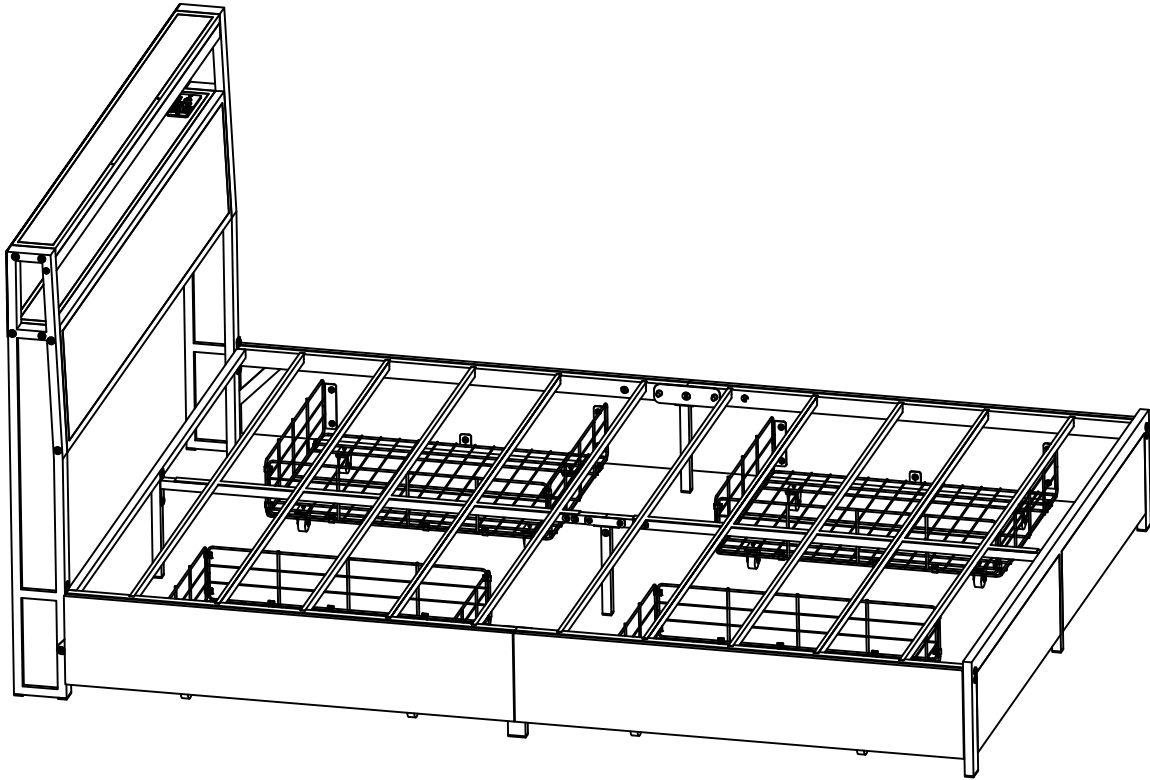
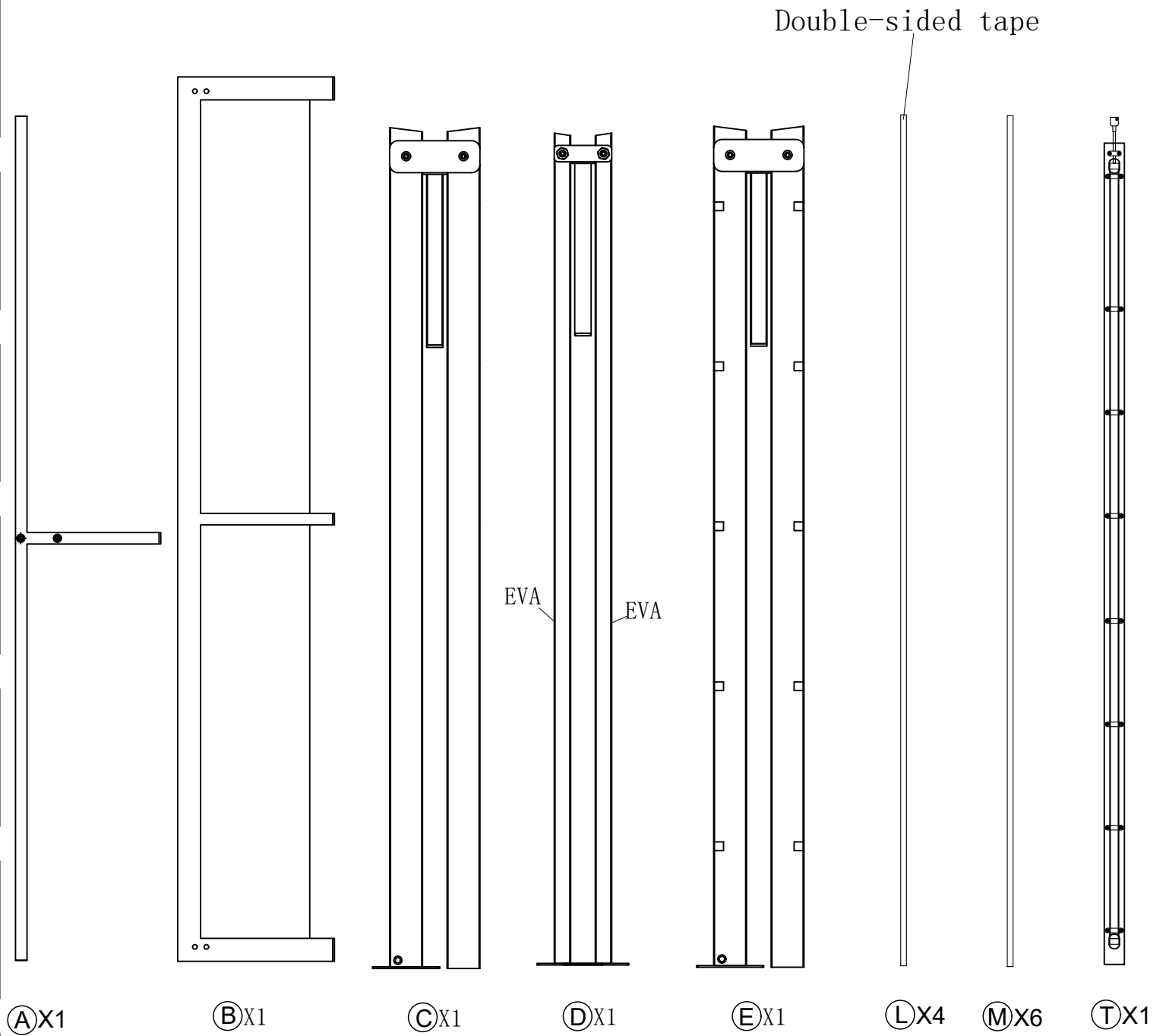


Bed Frame

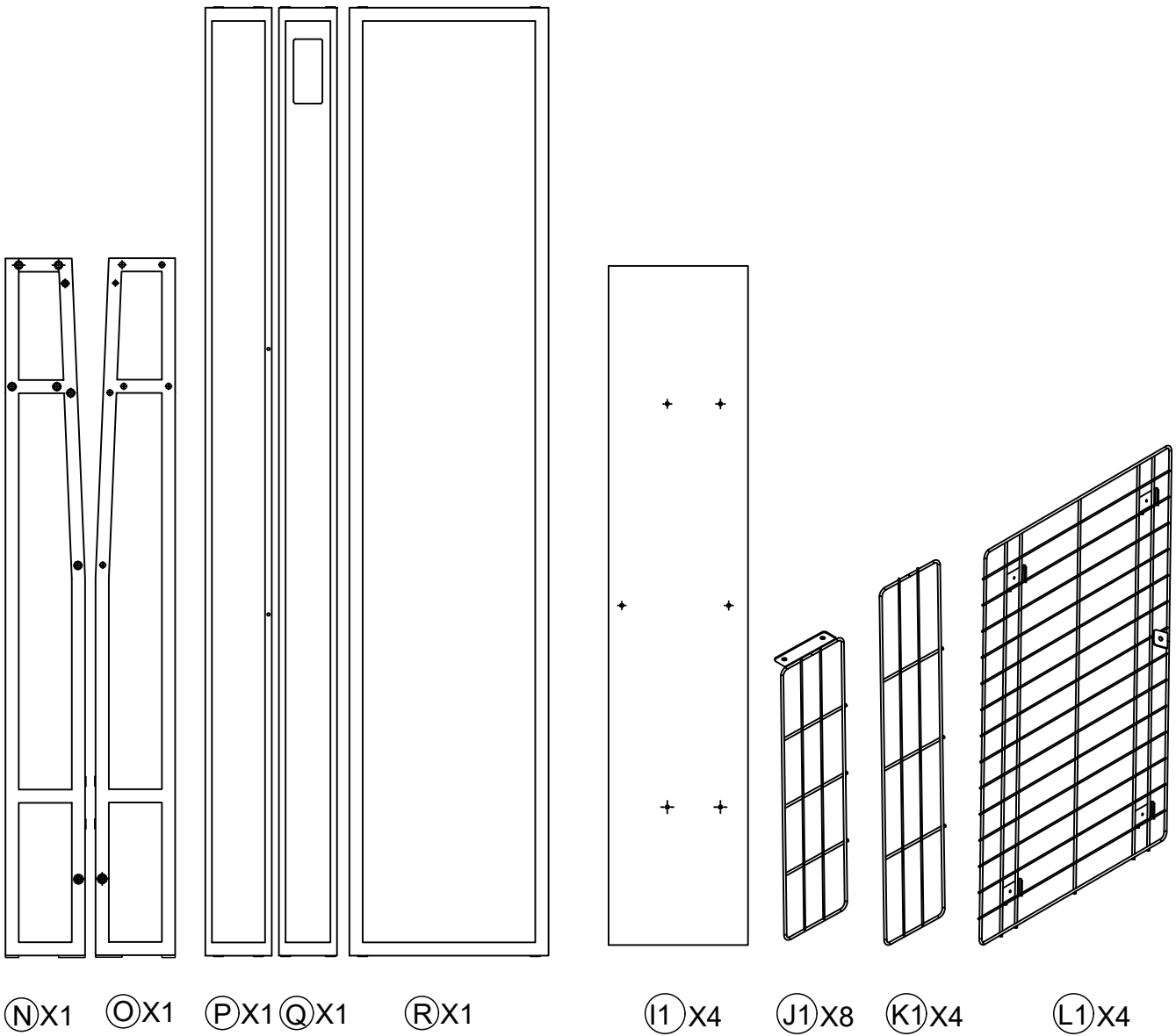


PRODUCT GUIDE AND INSTALLATION MANUAL

Parts List:



Parts List:



ⓃX1

ⓄX1

ⓅX1

ⓆX1

ⓇX1

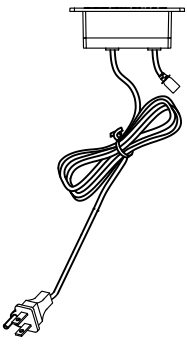
ⓈX4

ⓉX8

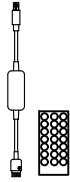
ⓊX4

ⓌX4

Parts List:



ⓏX1



ⓌX1



ⓋX1

M4x10mm

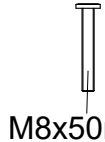


Ⓐ1X3



M8x35mm

Ⓓ1X4



M8x50mm

Ⓔ1X12



M6x35mm

Ⓕ1X2



ⓊX2



M8x12mm

Ⓑ1X12



M6x10mm

Ⓞ1X20



M6x50mm

Ⓖ1X2



M4x30mm

Ⓕ1X2



Ⓜ1X16



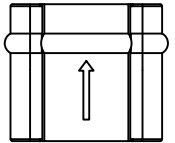
M4x6mm

Ⓝ1X18



M6x10mm

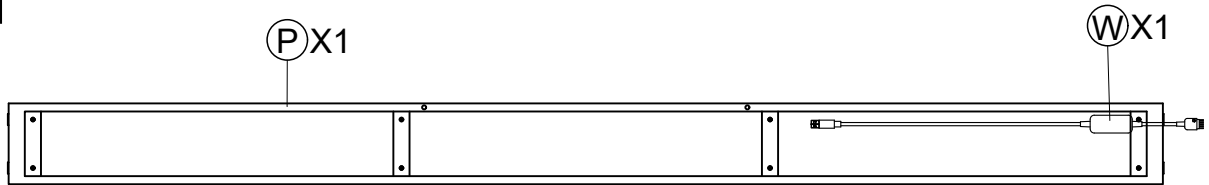
Ⓟ1X4



Ⓠ1X40

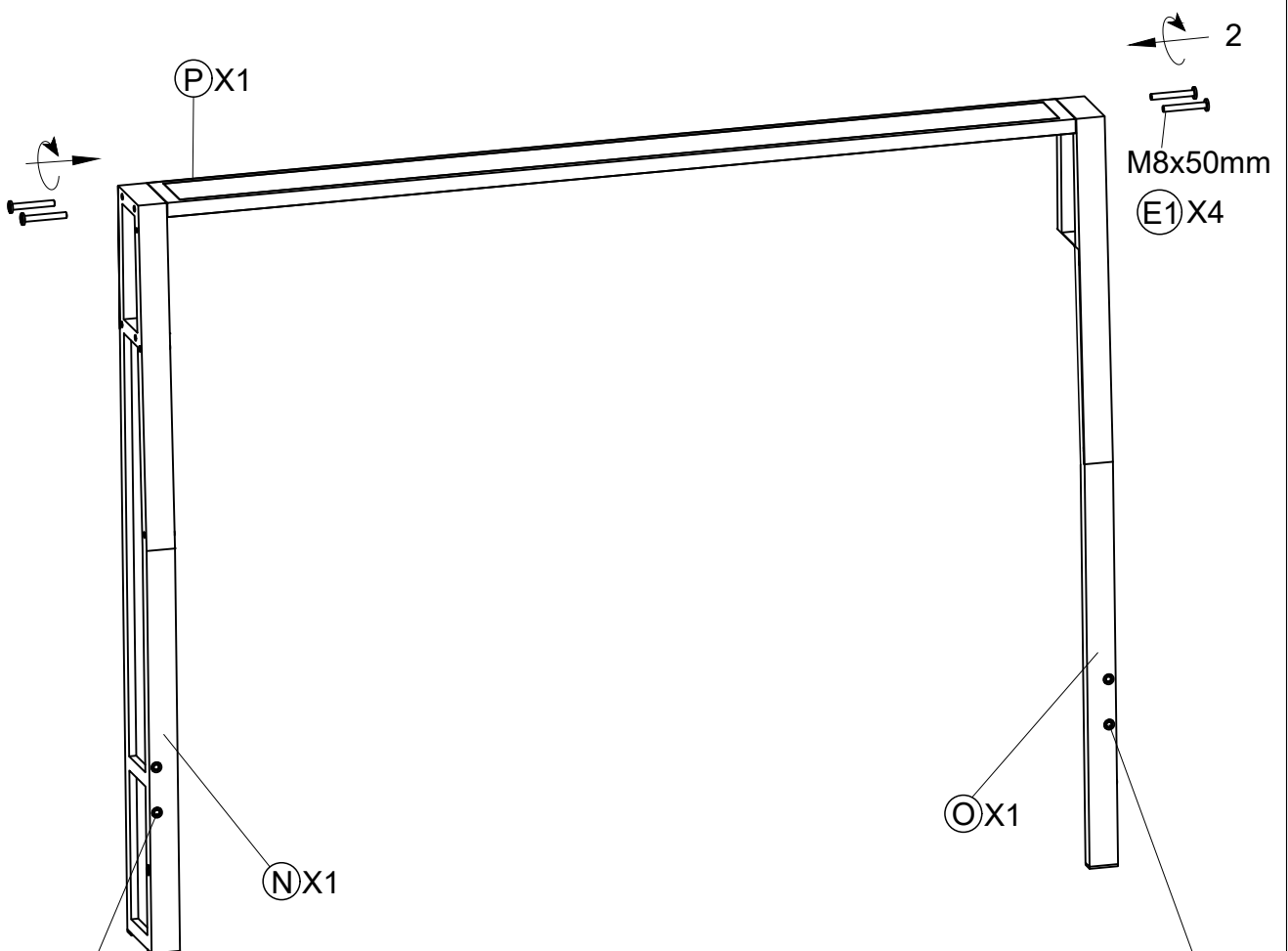
STEP 1

1.1



Tear off the double-sided adhesive tape of the "W" and then stick it to "P"

1.2



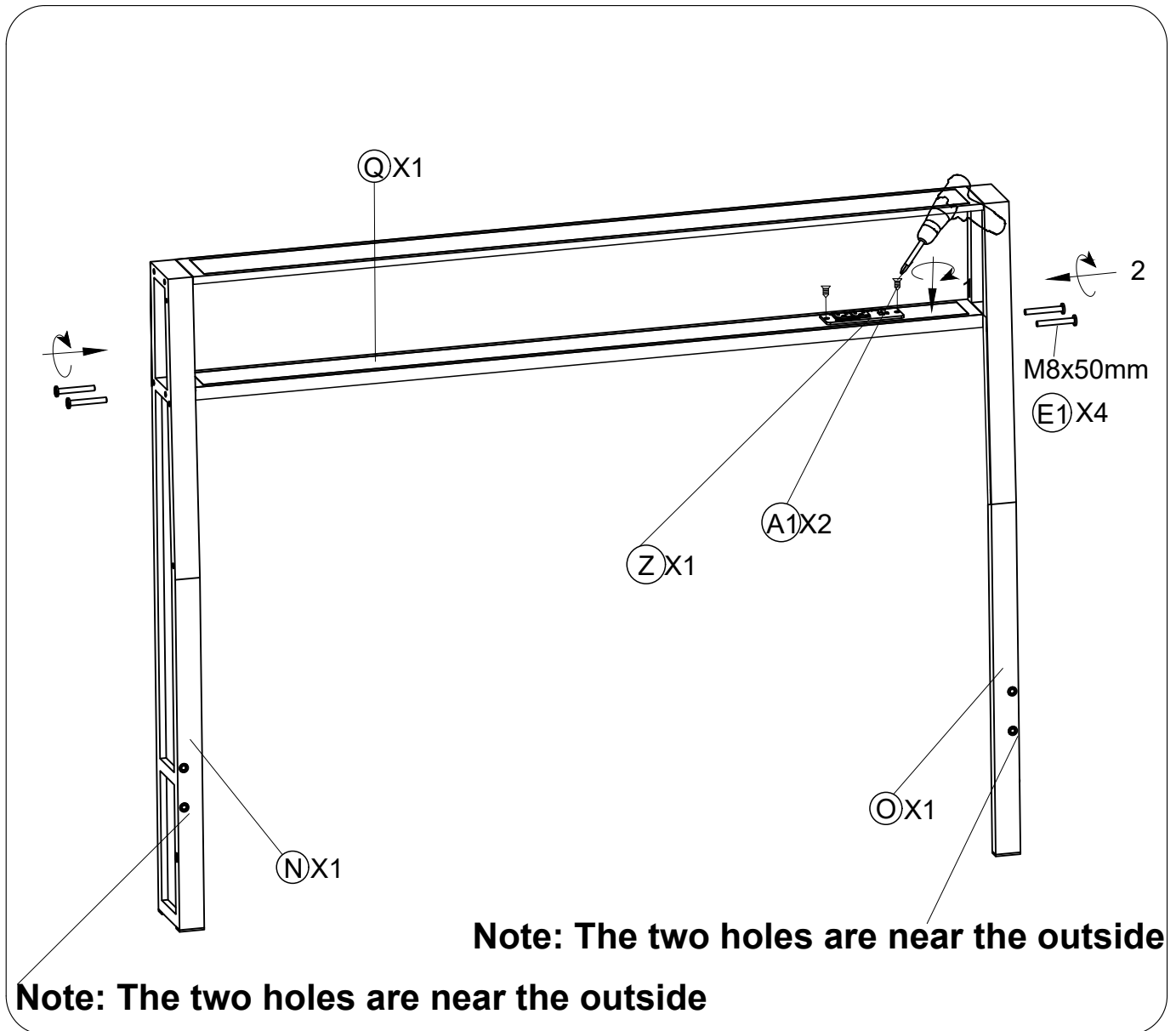
Note: The two holes are near the outside

Note: The two holes are near the outside

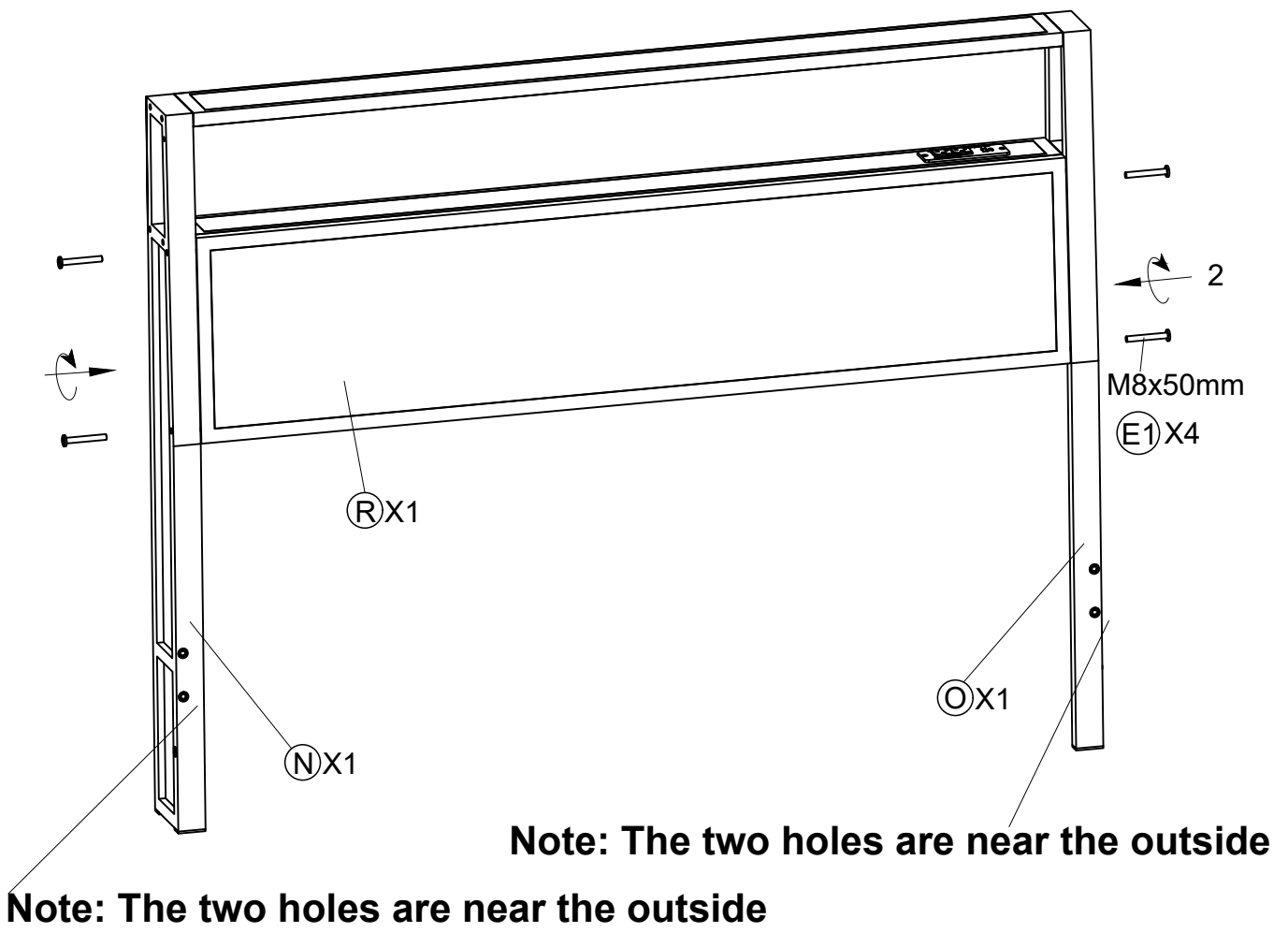
STEP 2

We suggest using drill machine to install A1 screws

*Note: no holes on the board is normal

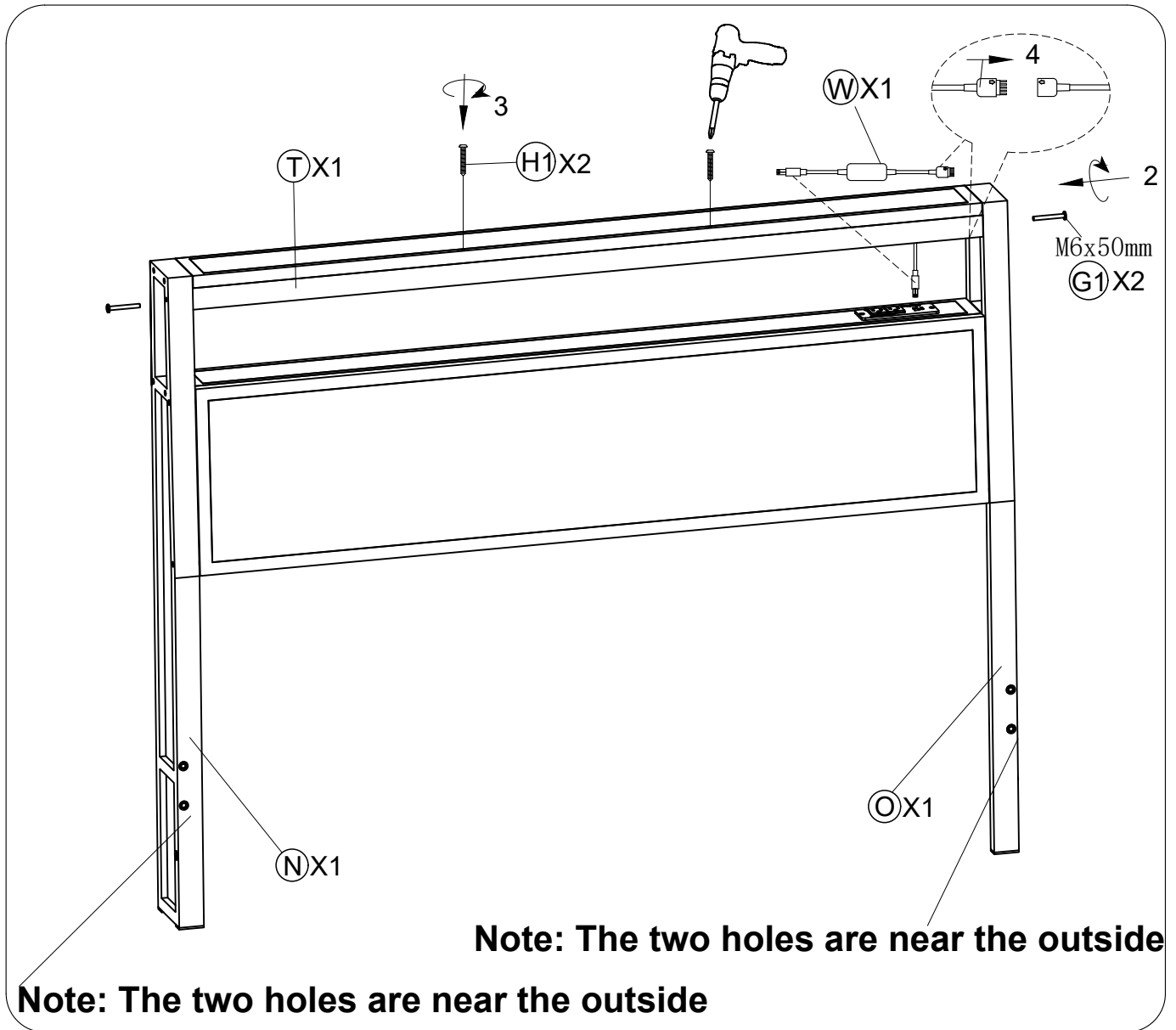


STEP 3

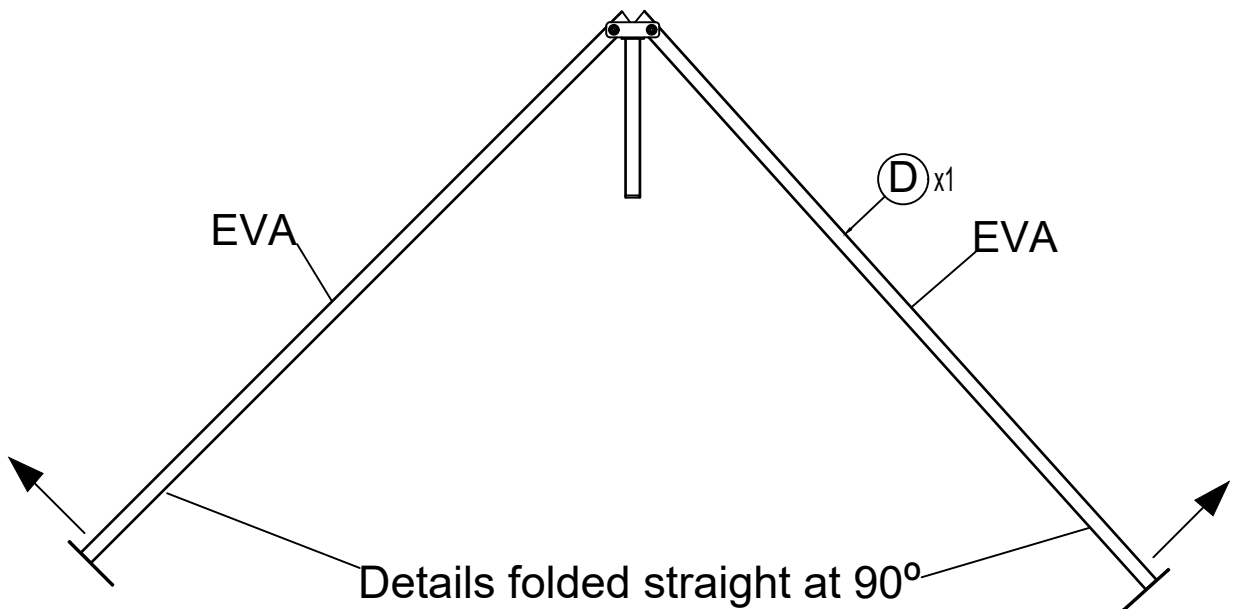
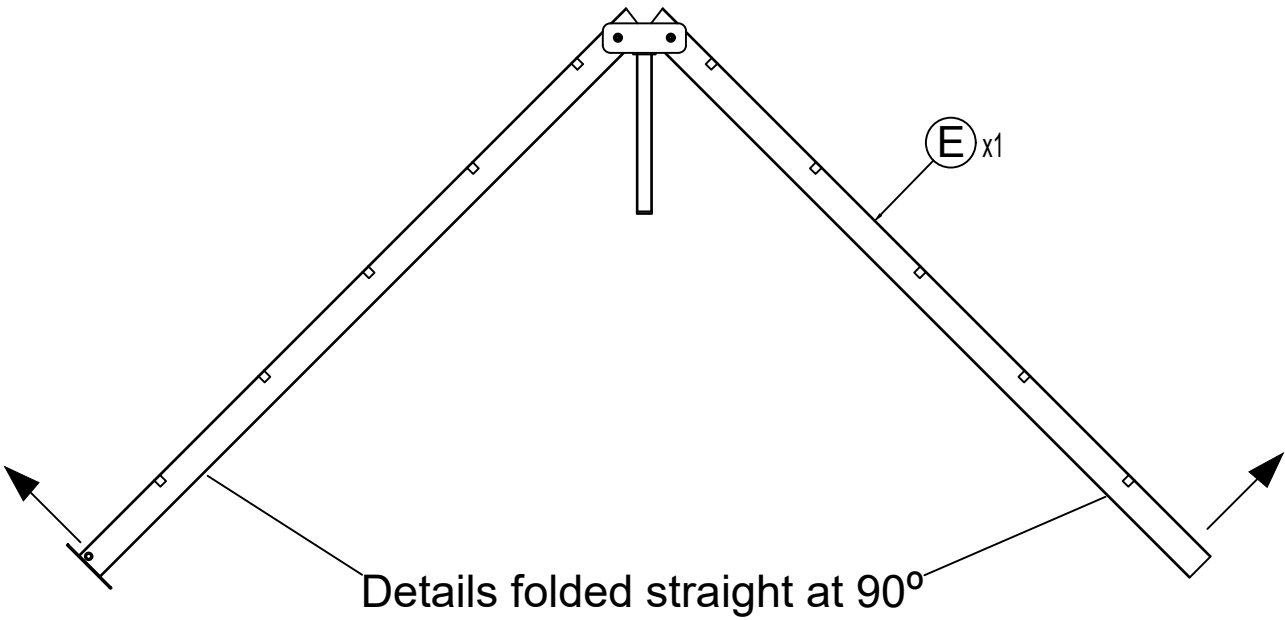
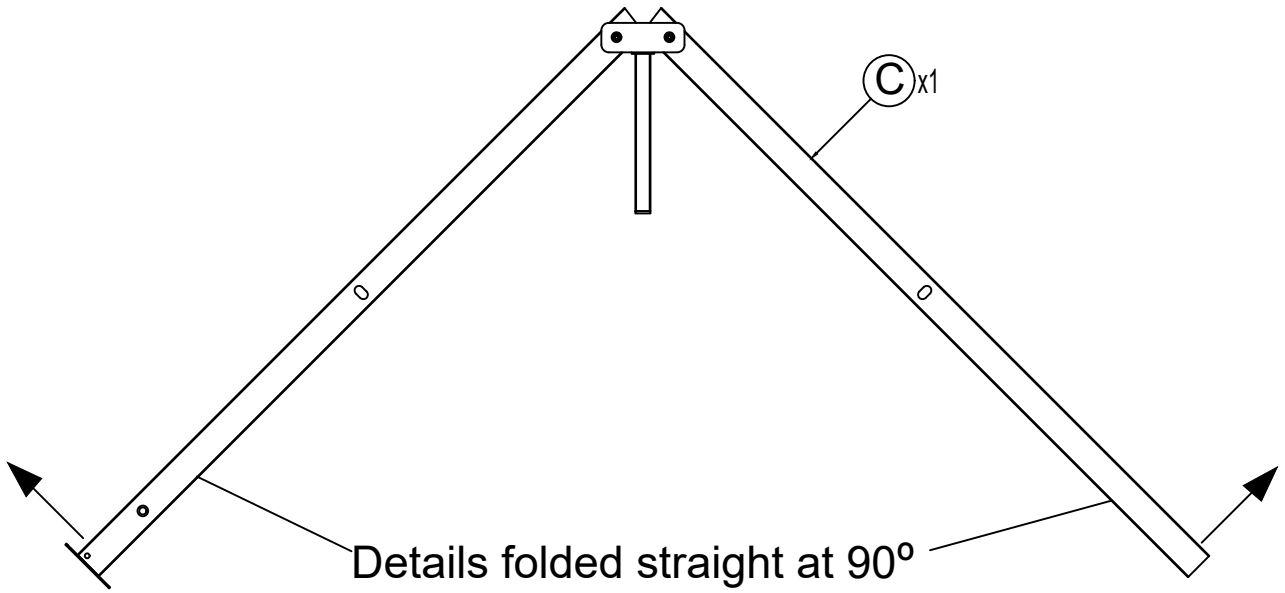


STEP 4

We suggest using drill machine to install H1 screws



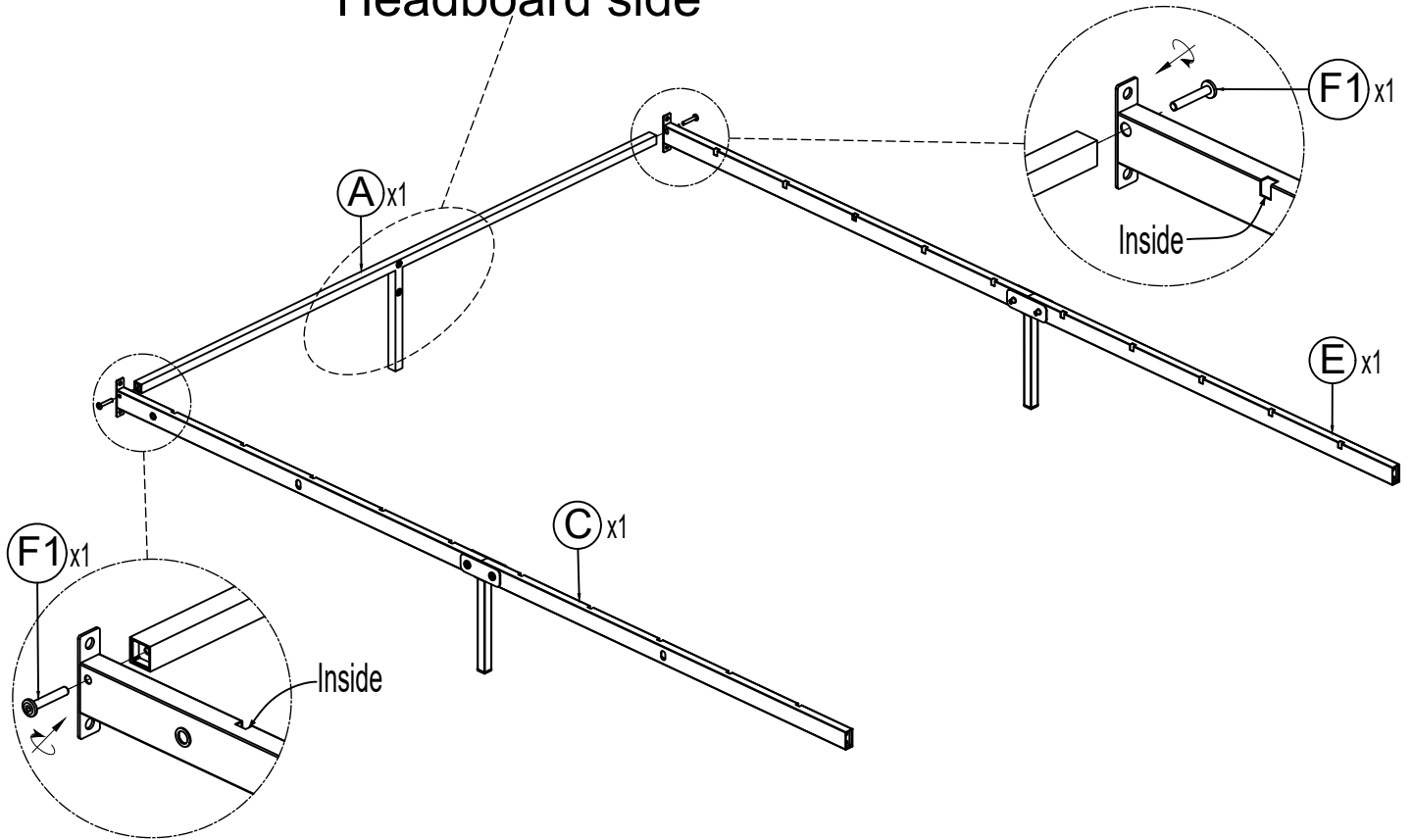
STEP 5



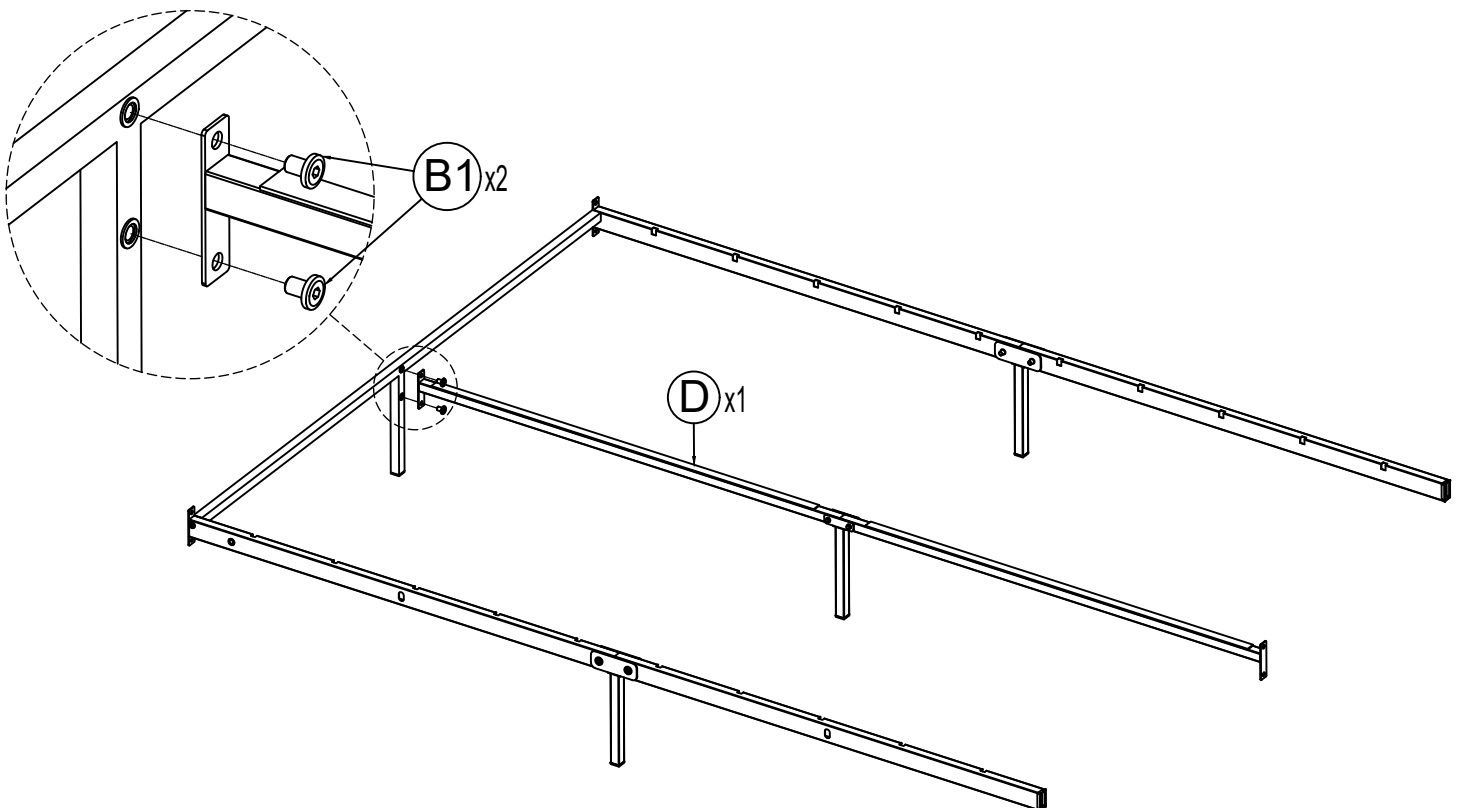
STEP 6

7.1

Headboard side

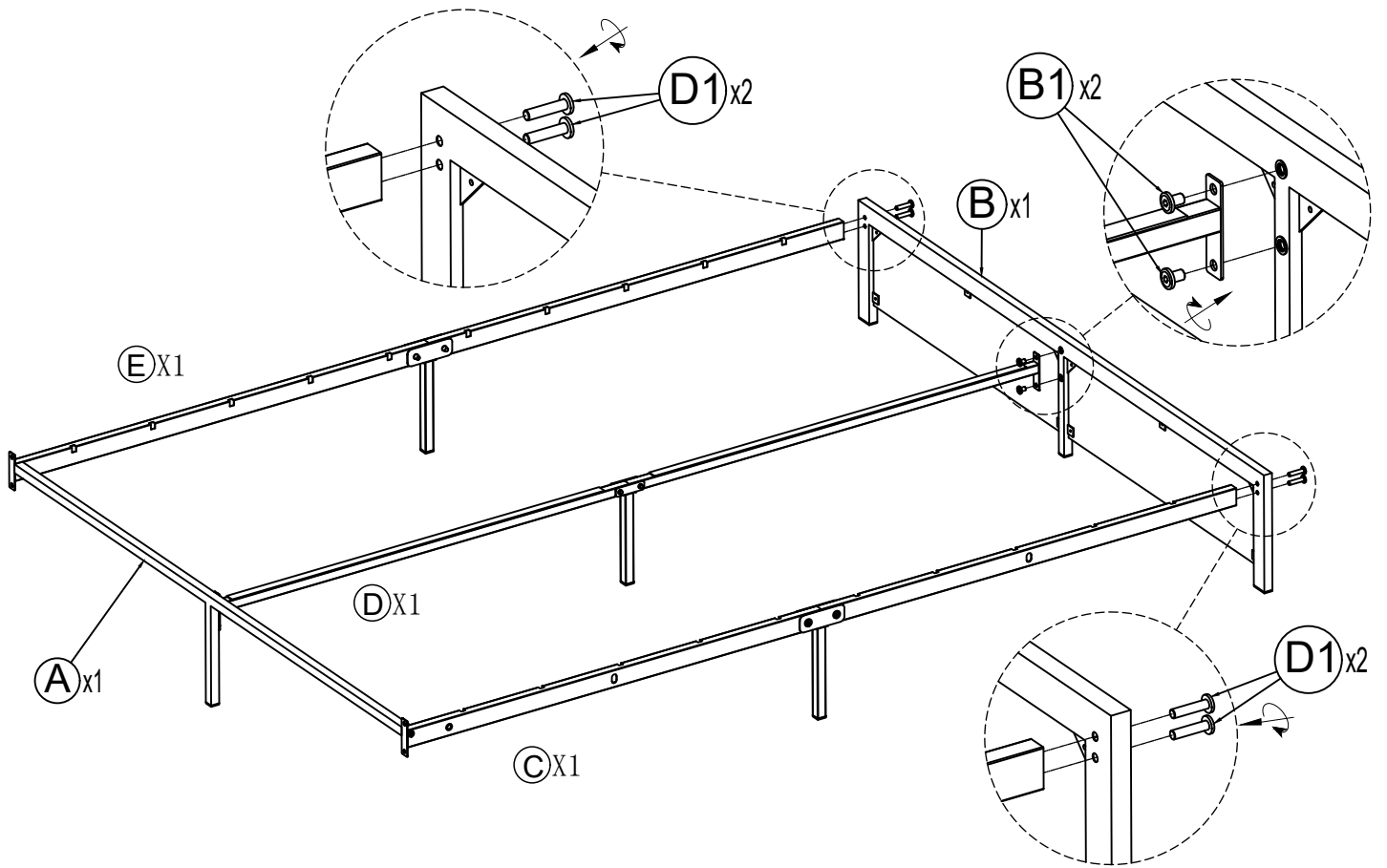


7.2

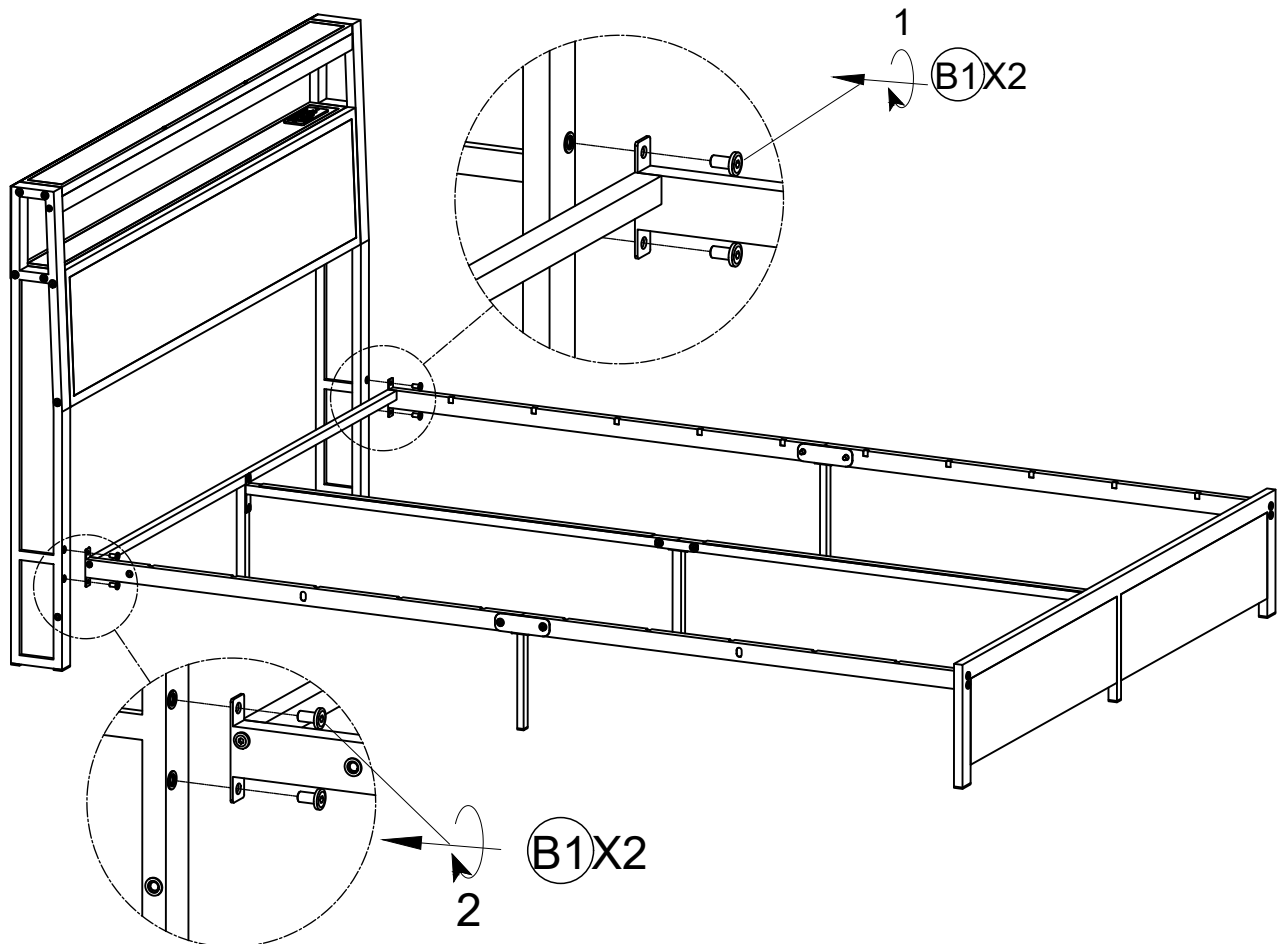


STEP 7

8.1

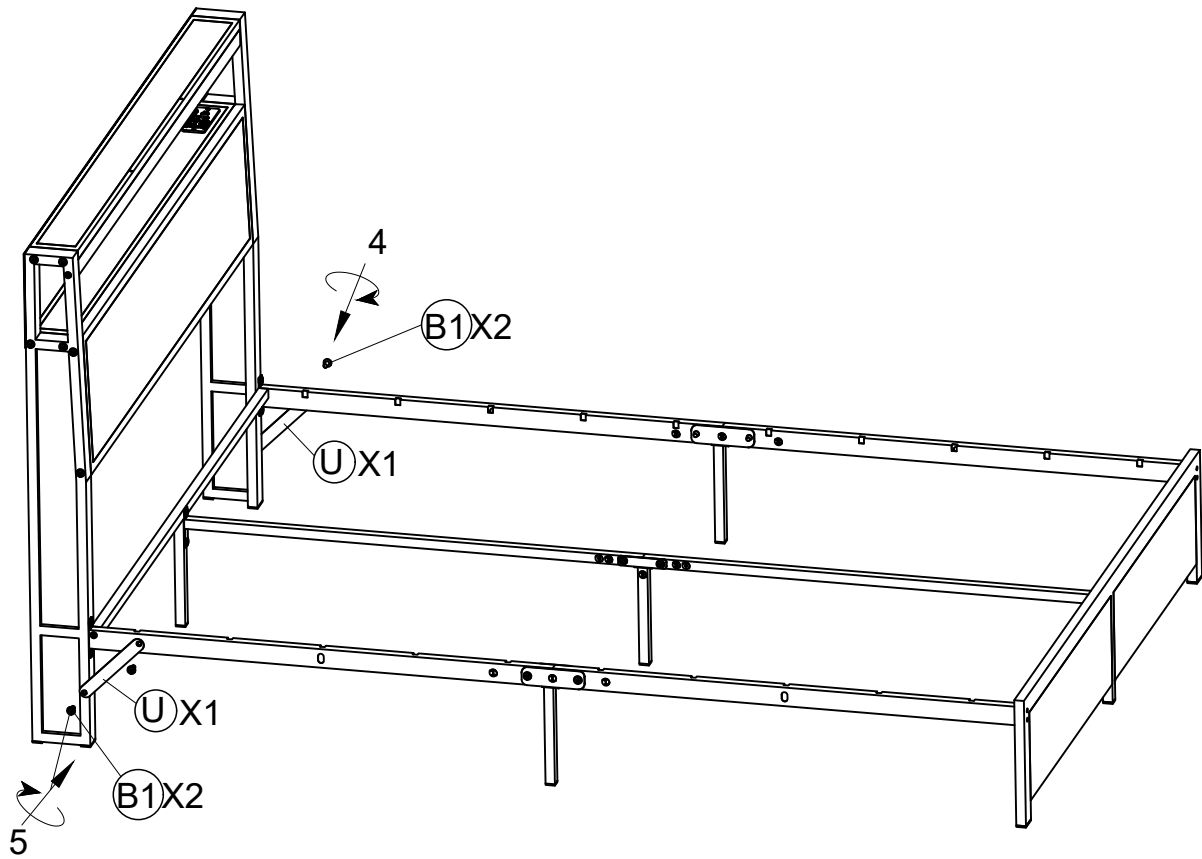


8.2

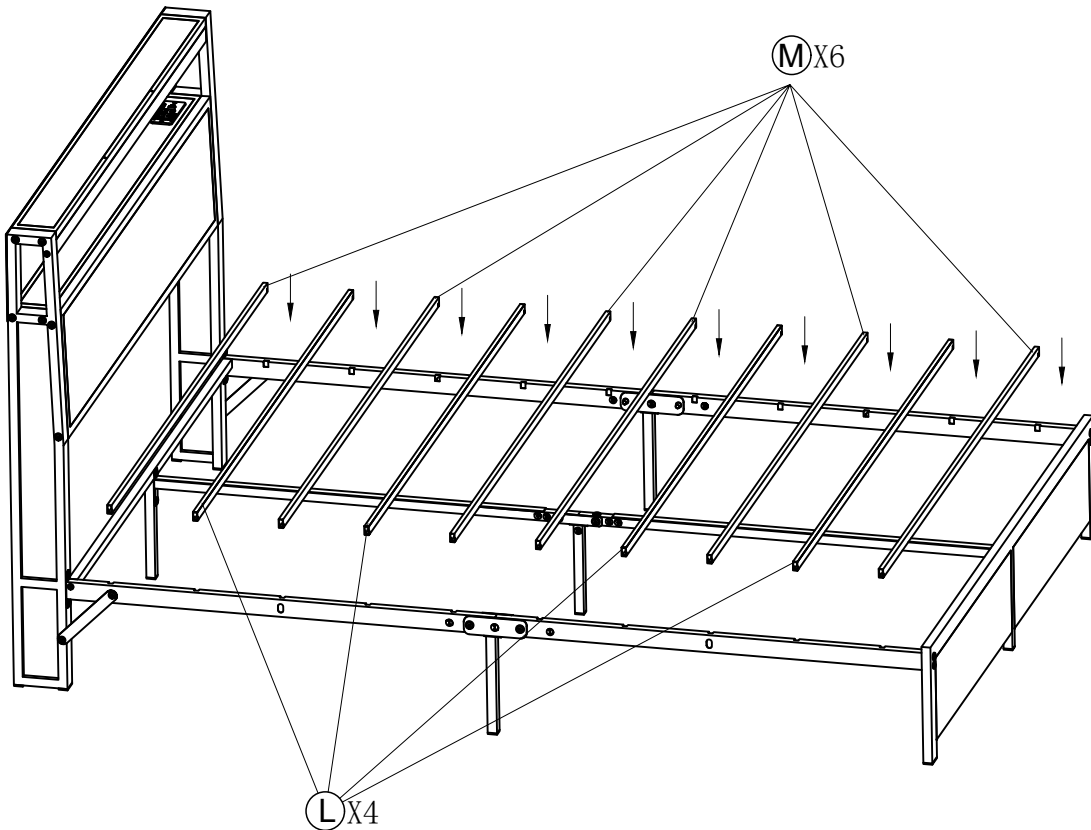


STEP 8

9.1



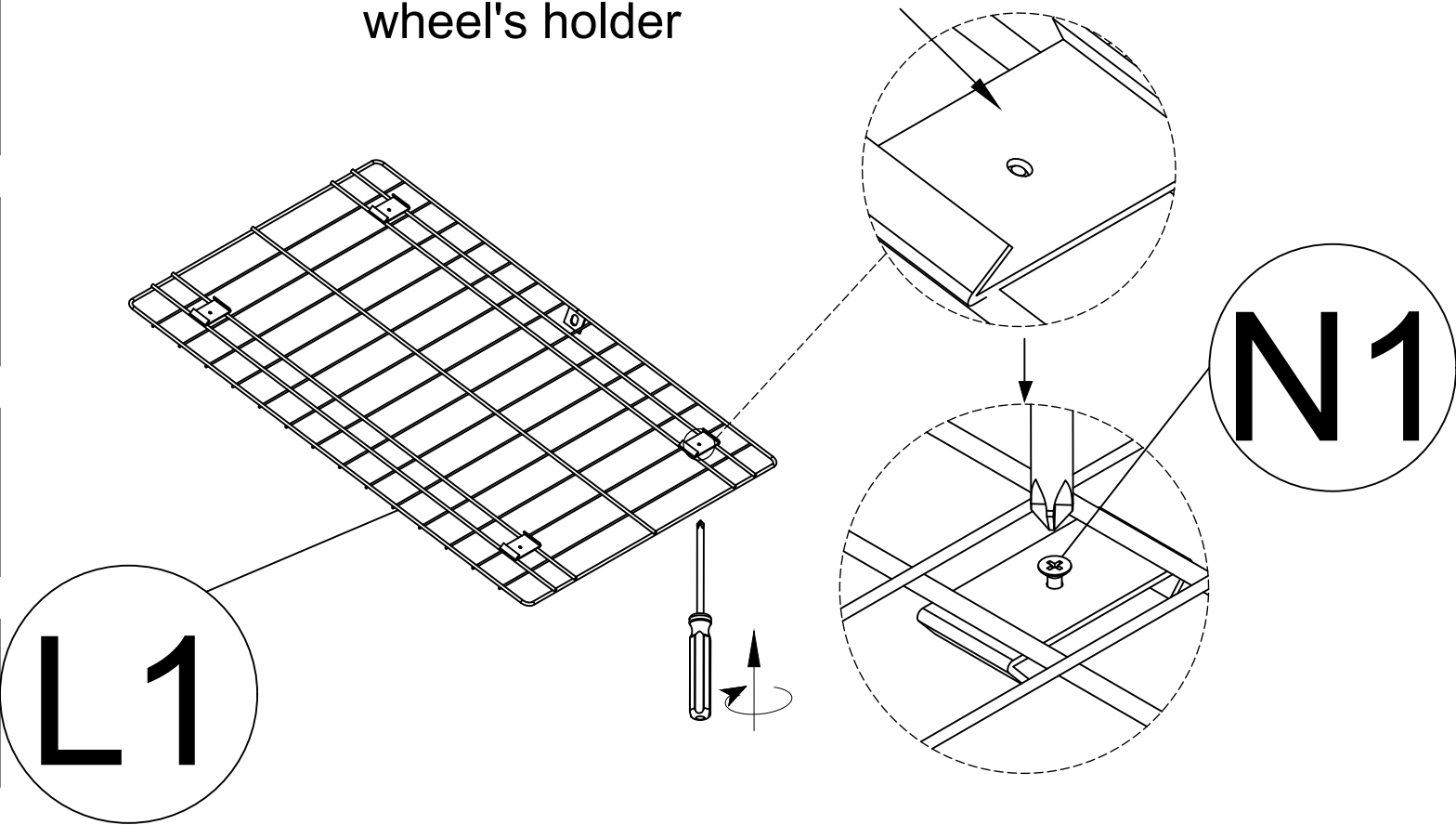
9.2



Tear off the double-sided adhesive tape before place the mattress.

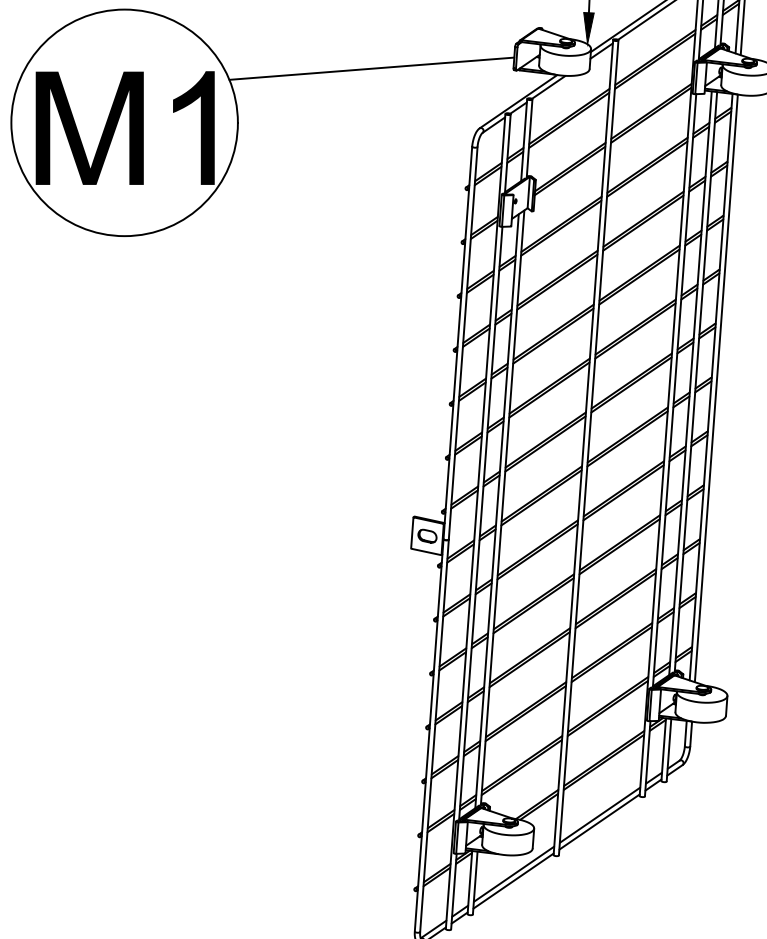
STEP 9

Don't let the screw get through all the wheel's holder

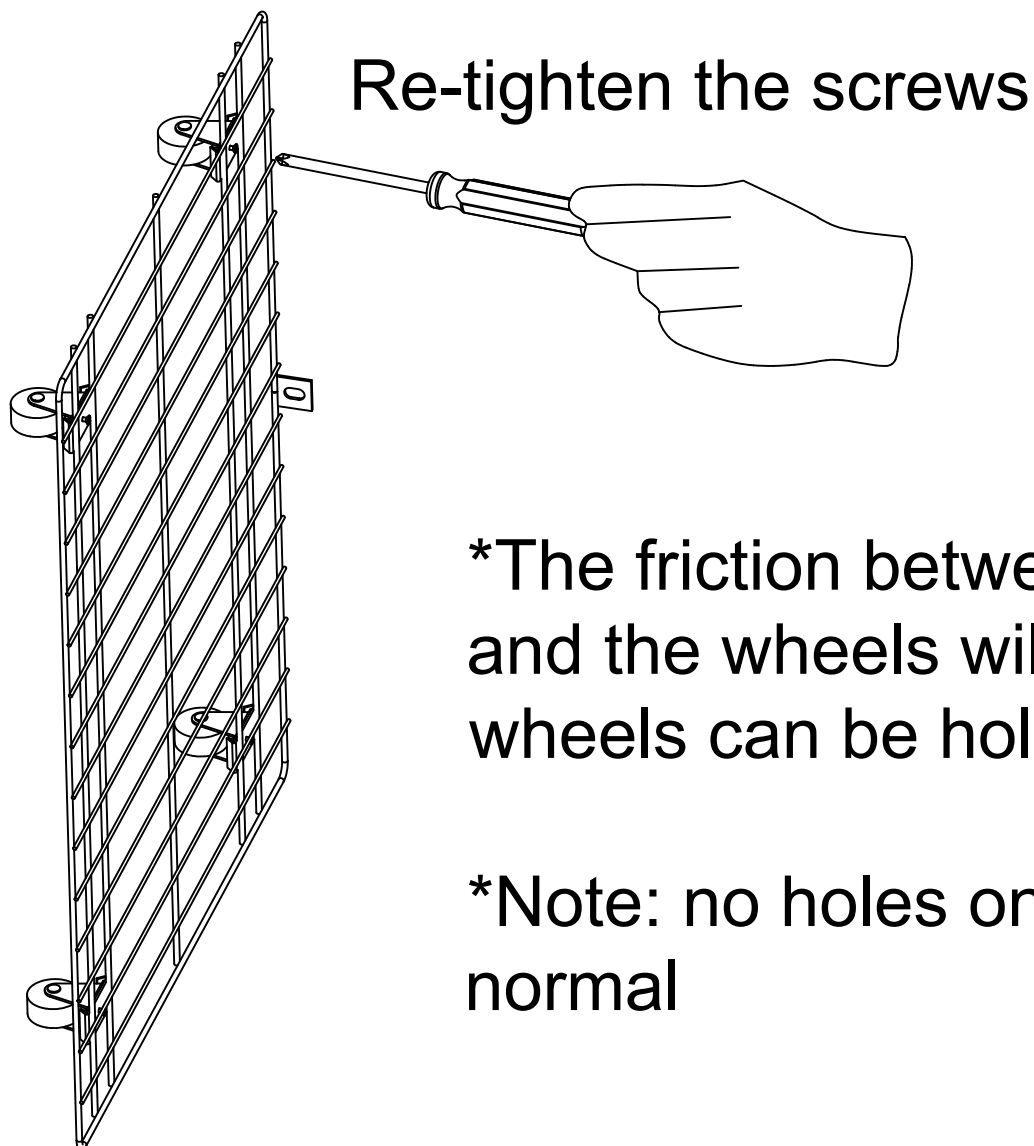


STEP 10

Slide in



STEP 11



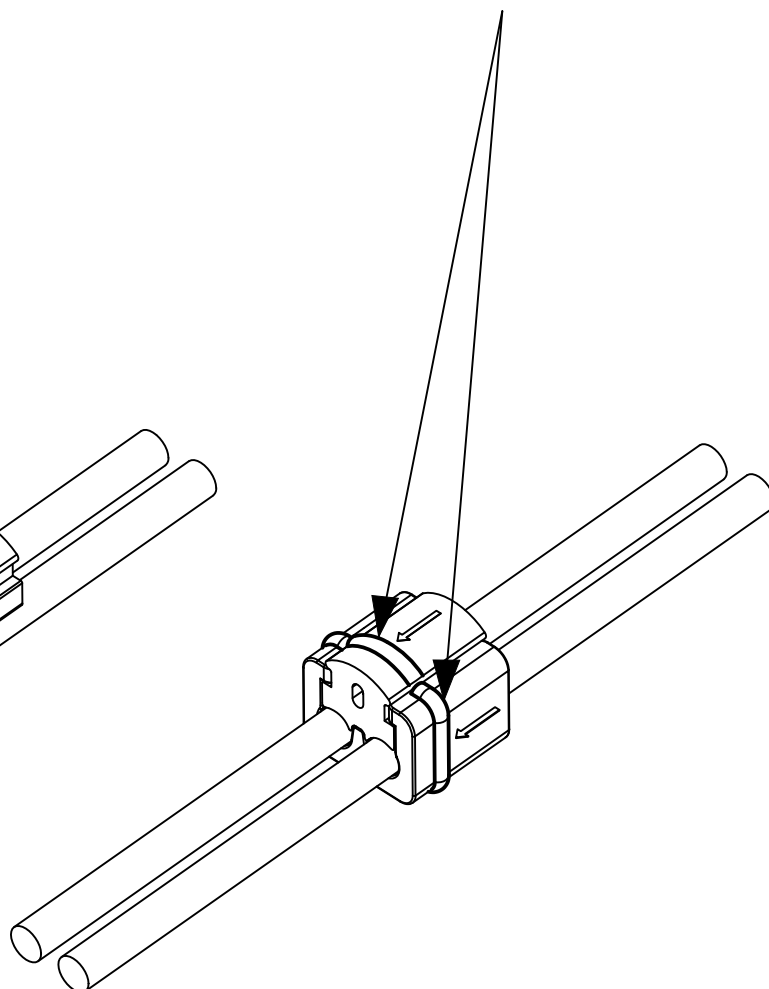
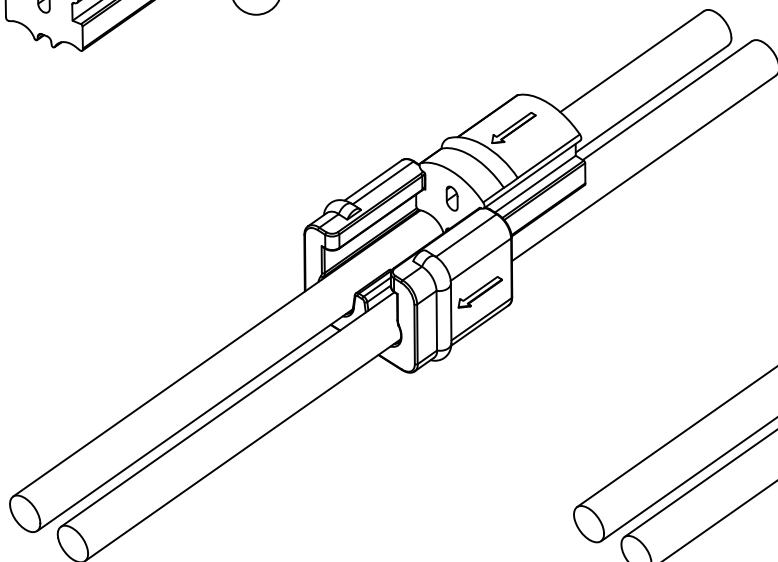
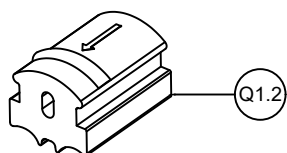
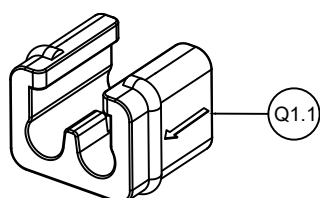
Re-tighten the screws

*The friction between the screw and the wheels will make the wheels can be holded

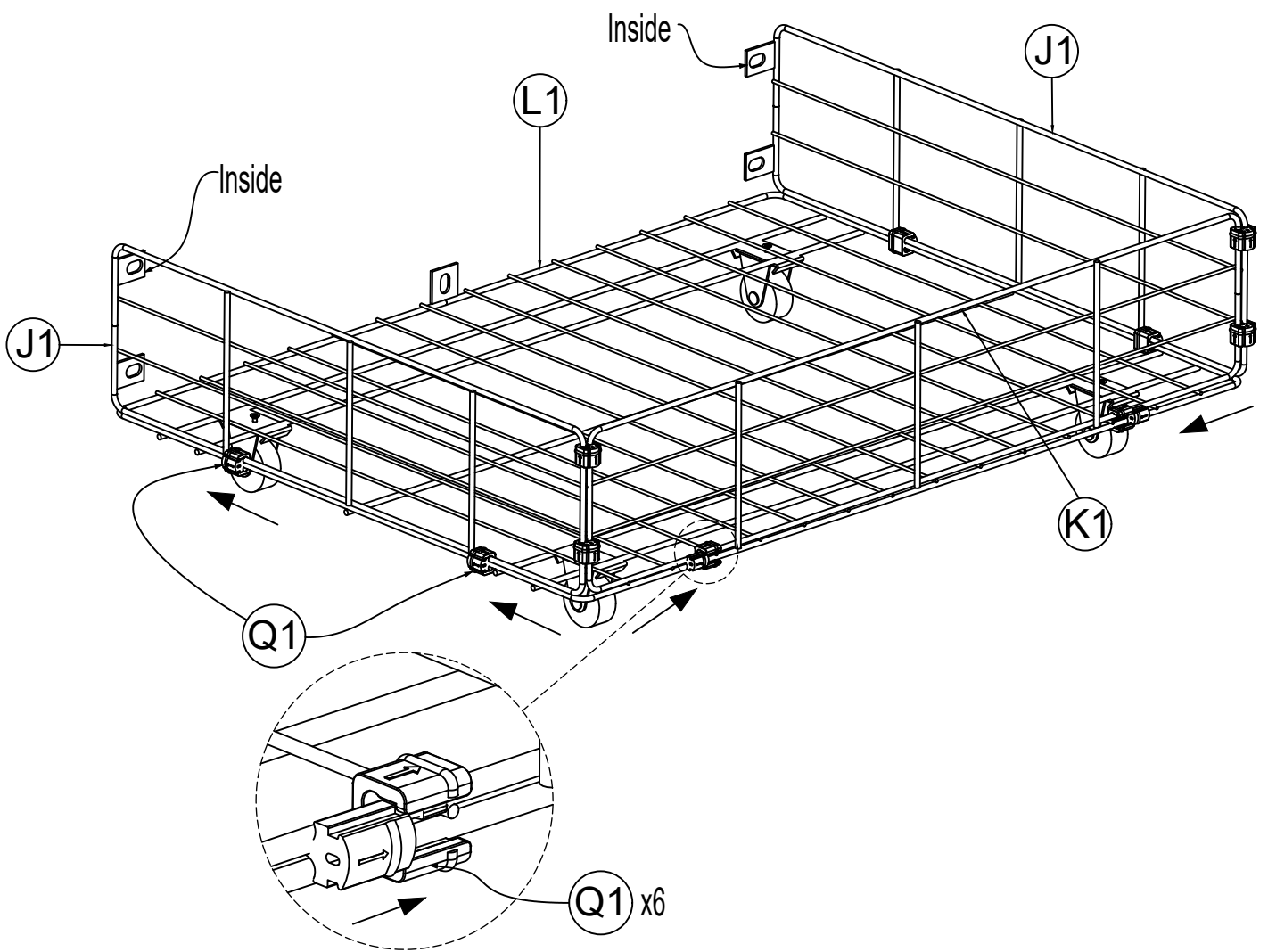
*Note: no holes on the wheels is normal

Detailed assembly instructions Q1

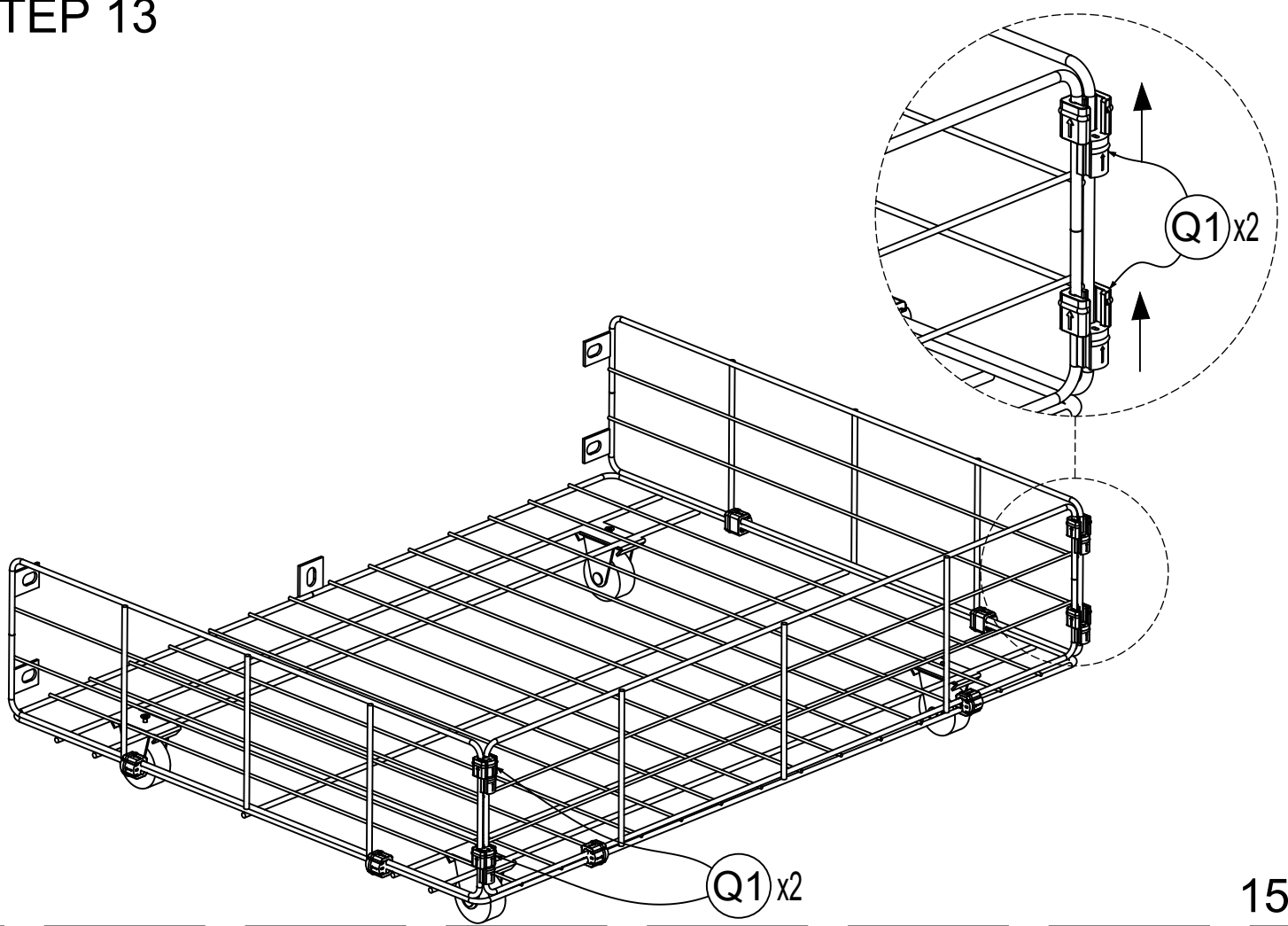
these two lines
on Q1.1 and
Q1.2 need to
be matched



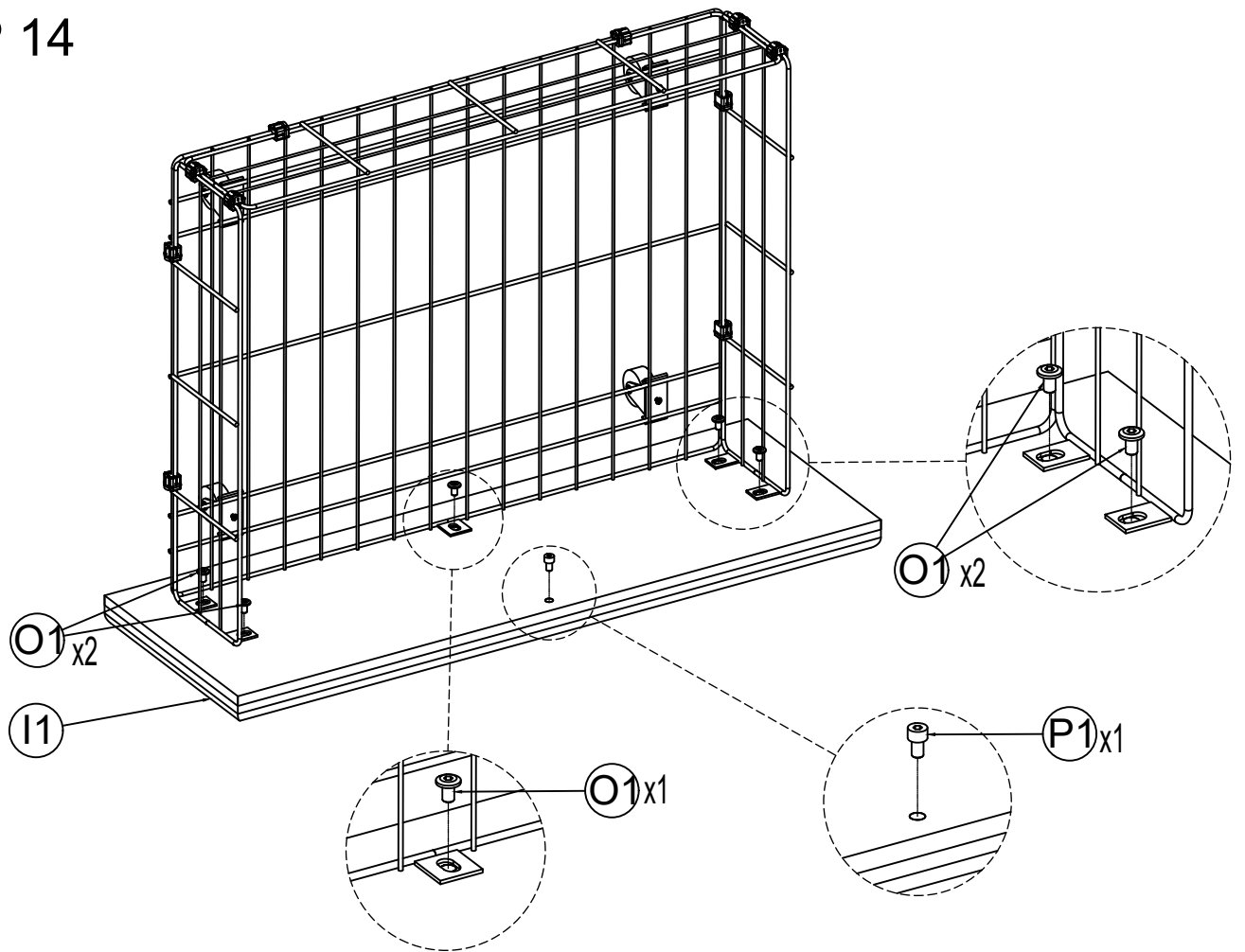
STEP 12



STEP 13

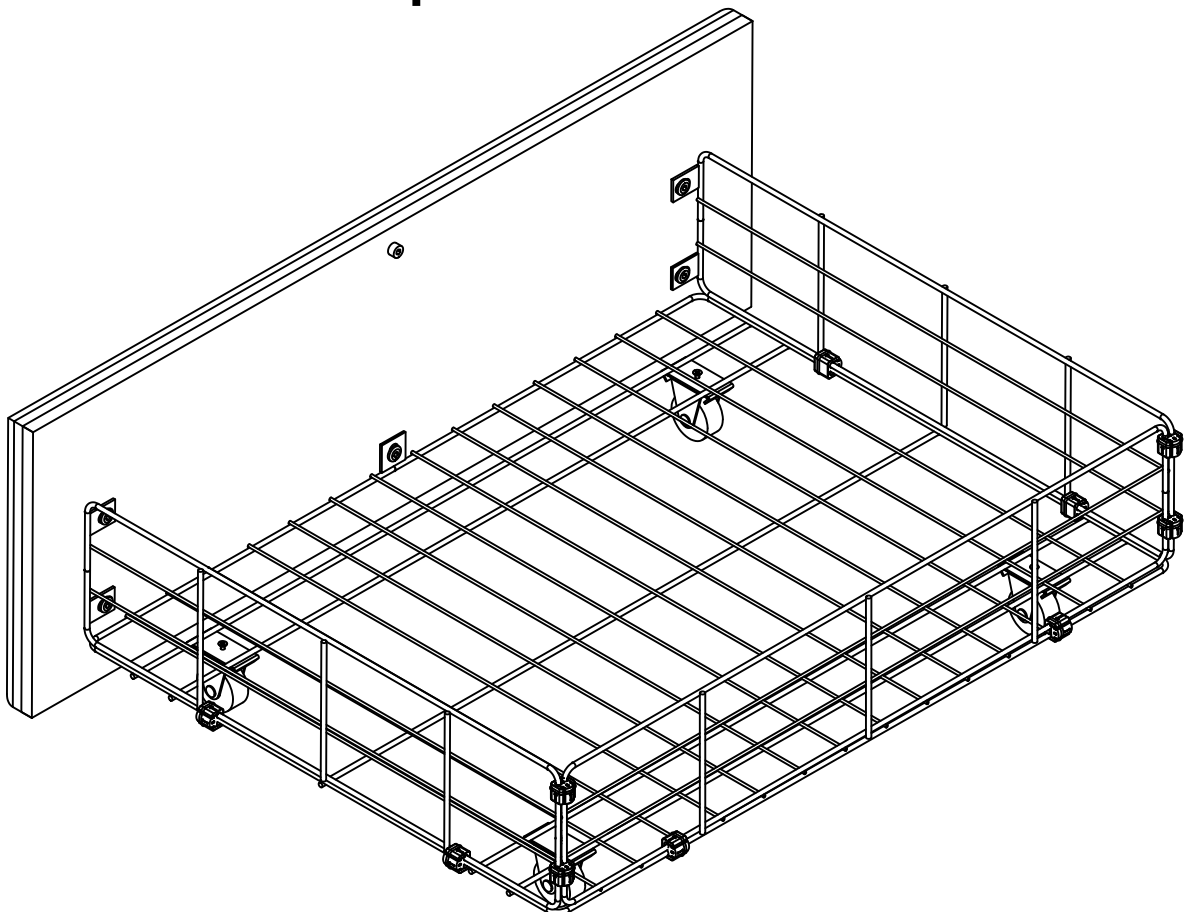


STEP 14

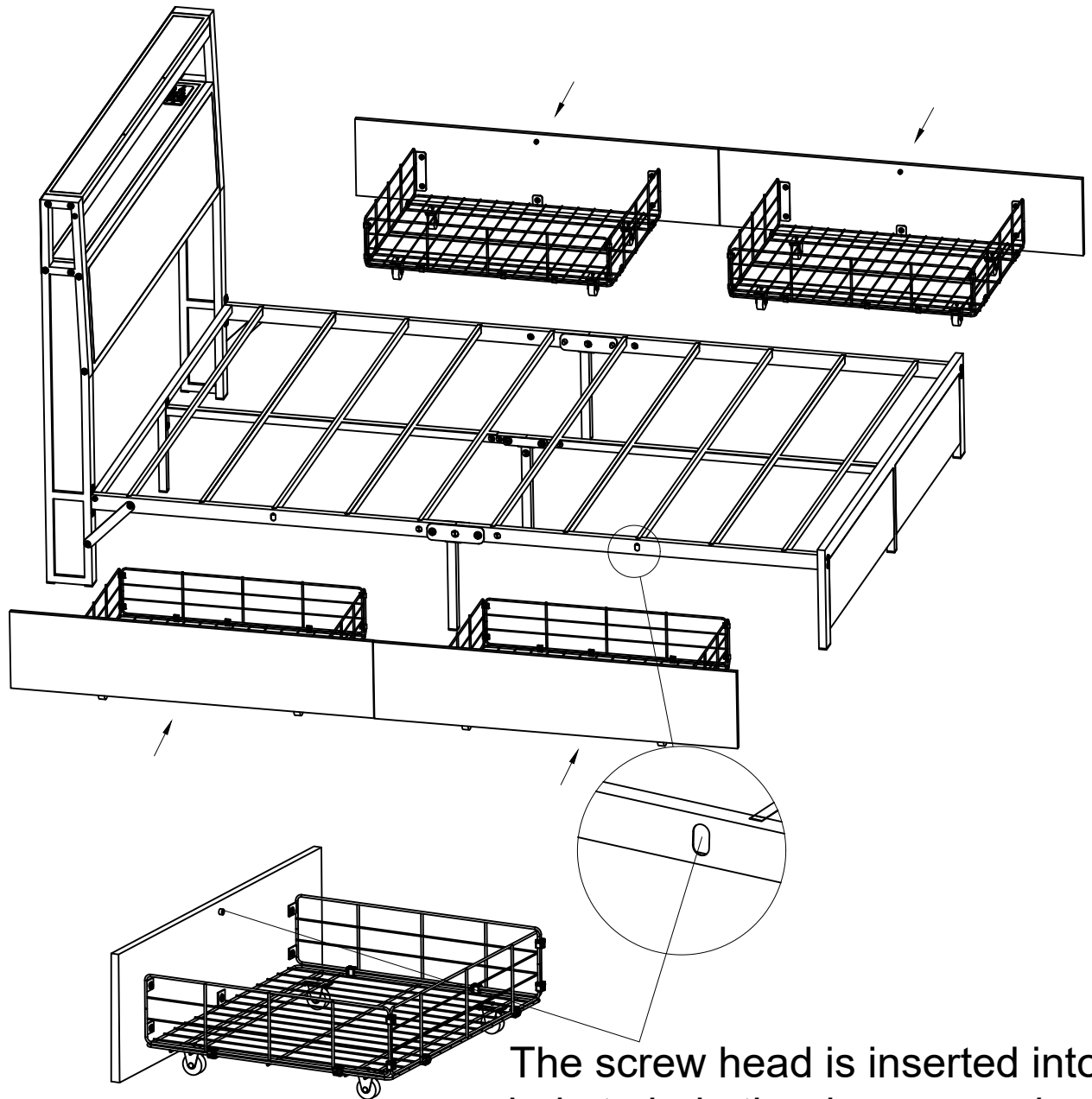


STEP 15

4pcs



STEP 16



The screw head is inserted into this hole to help the drawer can be in the fixed position.

REMOTE CONTROL

