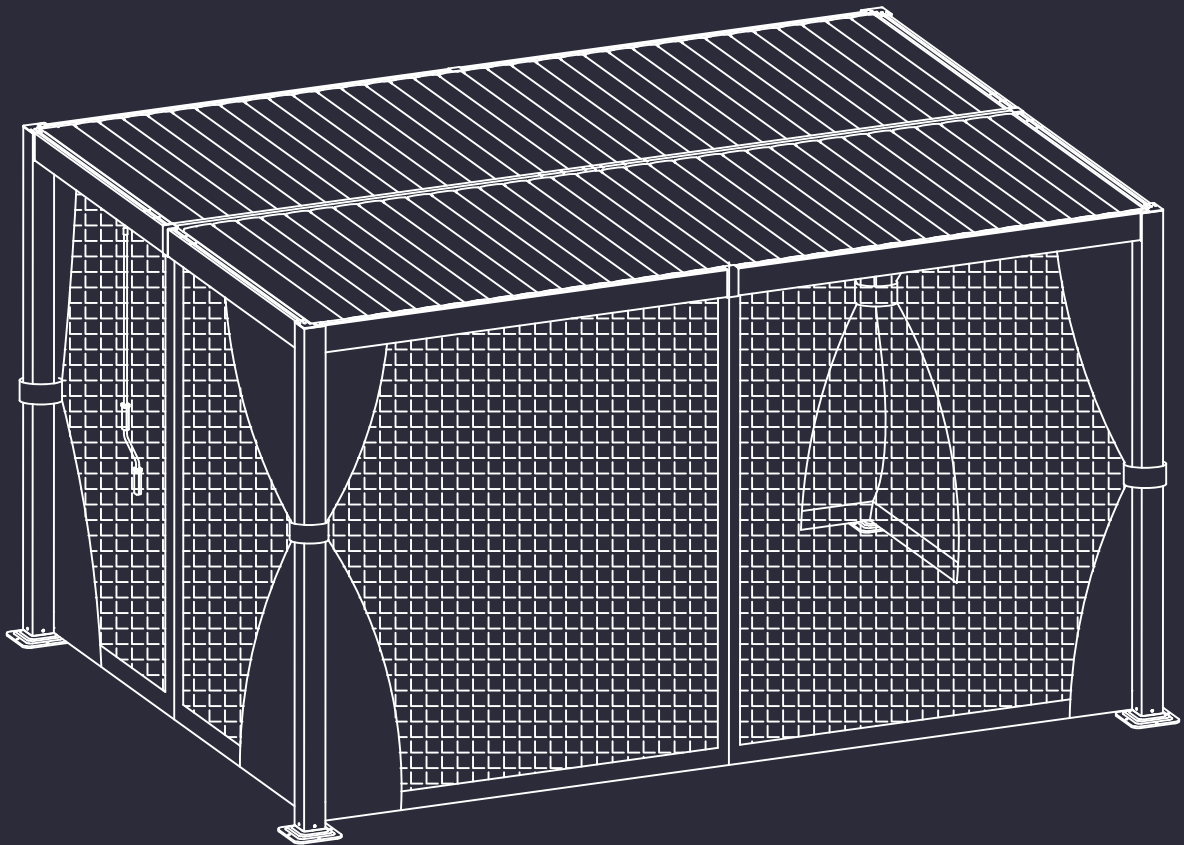


OWNER'S MANUAL

Outdoor Pergola



“Happy Families Through Happy Living”

Contact Us

connect with us on social media



If you have any questions,
Please contact customer service.
Email: support@happatio.com

Scan the QR code to watch the installation video.



SAFETY PRE CAUTIONS

WARNING



Do not allow snow to accumulate on the louver roof. If moderate to heavy snow is expected, open the louvers. In the case of high winds or other extreme weather conditions, open the louvers and raise or remove any shade screen accessories that have been installed to avoid potential damage to your pergola.



Please read and understand this entire manual before attempting to assemble or install this product.



Some parts may have sharp edges. Please wear protective gloves when assembling or installing this product.



Before beginning to assemble, choose and measure out the location on which you want to place your pergola. Make sure your space is large enough. Then, find a large and convenient assembly area where you can lay out and pre-assemble all parts for your pergola.



Children and pets should be kept from your assembly area. Supervise children and pets if they are in the assembly area.



This item is heavy. Please handle with care. Two or more people are required for this assembly.

CAUTION

- ★ Check every part against the part list before beginning your assembly. If any part is missing or damaged, do not attempt to assemble the product. Instead, please contact us.
- ★ You will need these additional tools: a ladder and an adjustable wrench.
- ★ Once a unit has been pre-assembled as per the instructions, set it aside until later.
- ★ We care about your experience. Please feel free to contact us if you have any questions or issues. We will try to offer you efficient solutions.

WARRANTY COVERAGE REQUIREMENTS:

- ★ Pictures of the damaged parts.
- ★ The order number of your product.
- ★ Please gather all of this information before you contact us.
- ★ Do not use this item in a way inconsistent with the manufacturer's instructions, as this could void the product warranty.

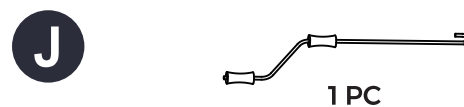
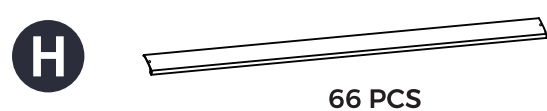
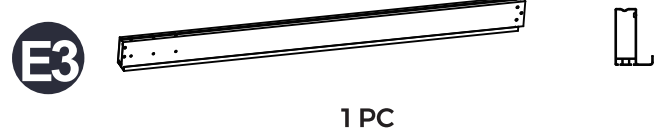
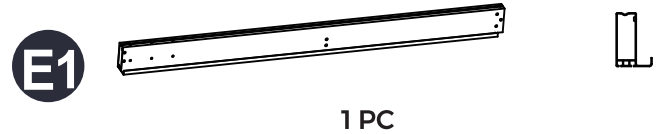
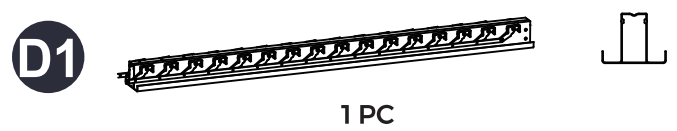
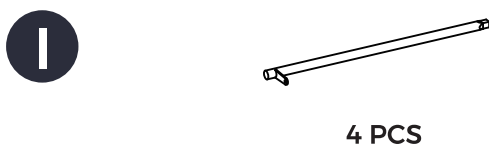
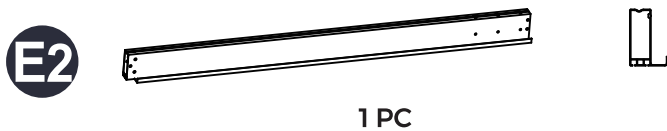
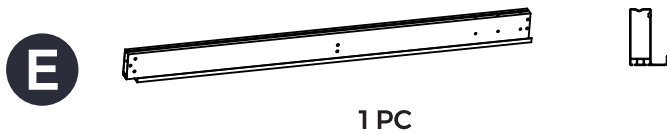
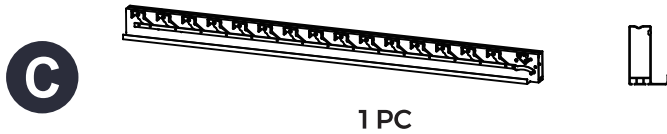
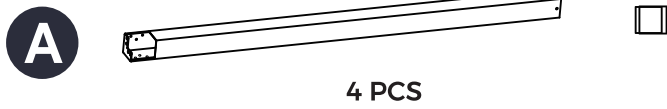


E-mail:
support@happatio.com


Social Media



PERGOLA INSTALLATION STEPS



E-mail:
support@happatio.com

Social Media



PERGOLA INSTALLATION STEPS

K



4 PCS

L



2 PCS

M



2 PCS

N



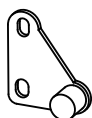
2 PCS

O



4 PCS

Q



2 PCS

R



2 PCS

S



4 PCS

T



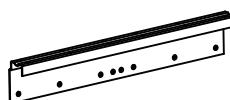
2 PCS

U



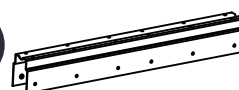
4 PCS

V



4 PCS

W



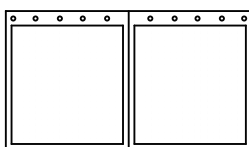
1 PC

X



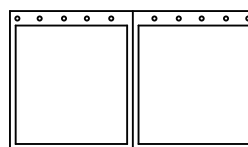
1 PC

Y



4 PCS

Z



4 PCS



E-mail:
support@happatio.com

Social Media



PERGOLA INSTALLATION STEPS



M6*18

28 PCS



M6*15

32 PCS



M6*13

4 PCS



M4*12

4 PCS



M6*10

104+2 PCS



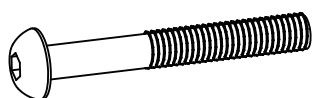
M6

8 PCS



M6*40

4 PCS



M8*52

24 PCS

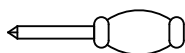


5mm

4mm

4mm

3 PCS

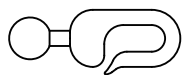


1 PC



10mm

1 PC



96 PC



8 PCS



8 PCS



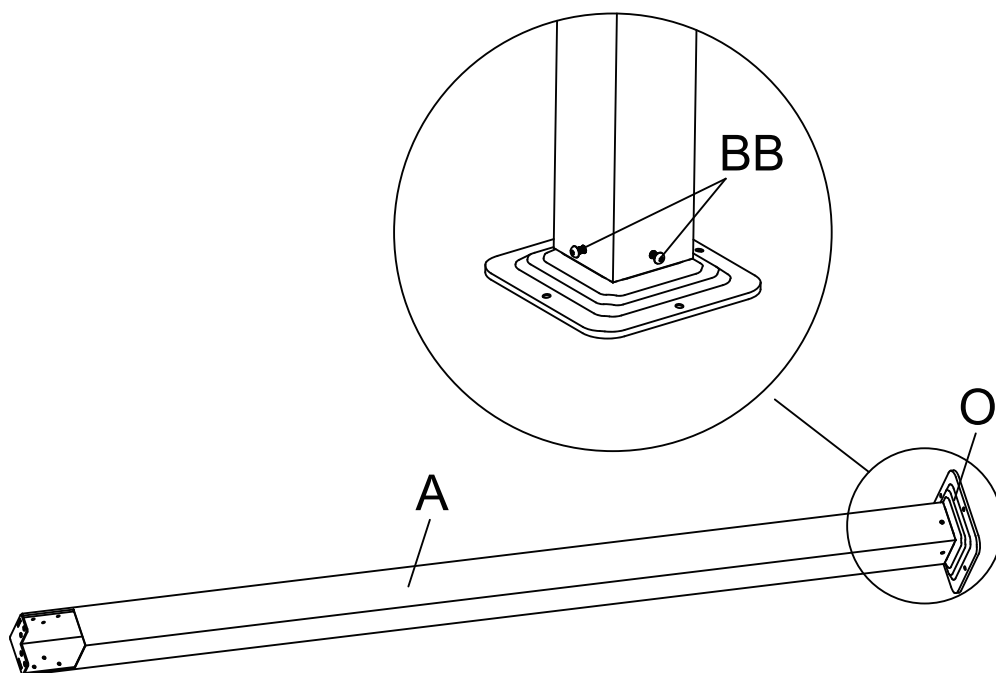
E-mail:
support@happatio.com

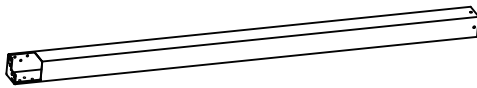
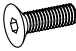

Social Media



PERGOLA INSTALLATION STEPS

STEP 1



A	4		BB	16	 M6*15
O	4				



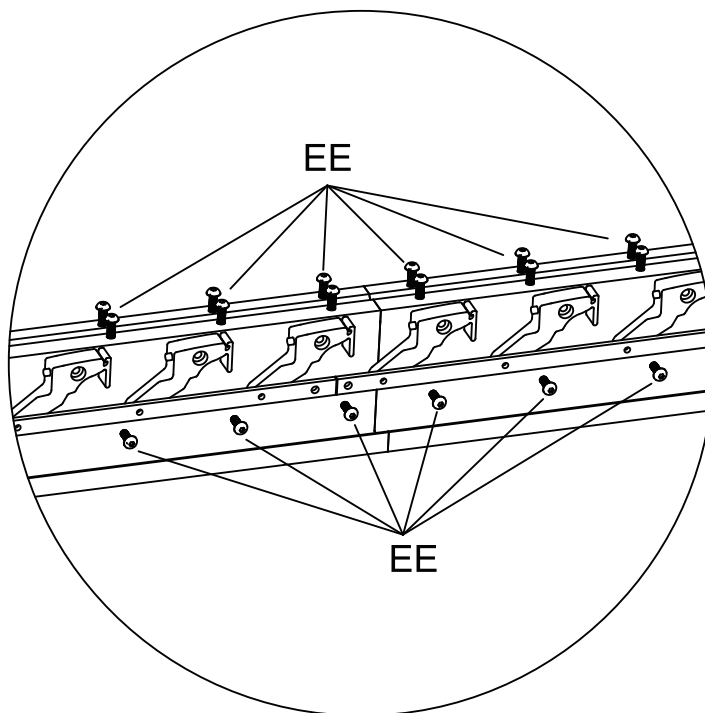
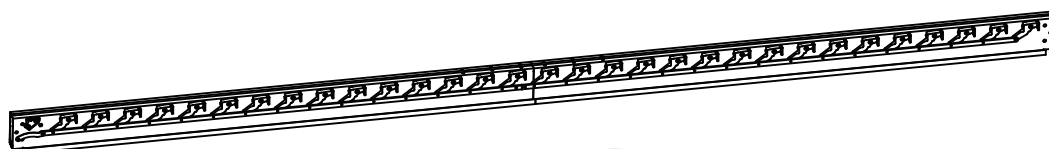
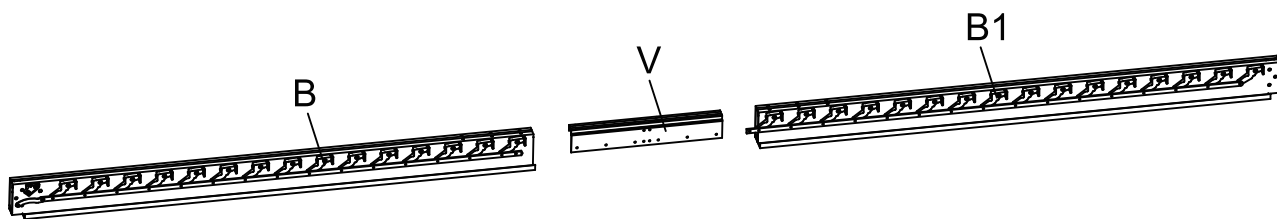
E-mail:
support@happatio.com

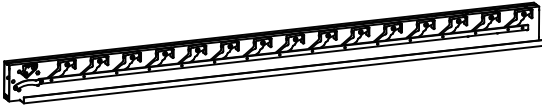
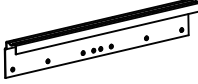
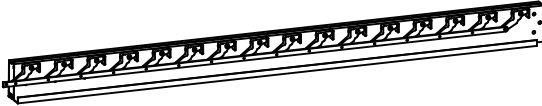


Social Media



PERGOLA INSTALLATION STEPS

STEP 2



B	1		V	1	
B1	1		EE	18	 M6*10



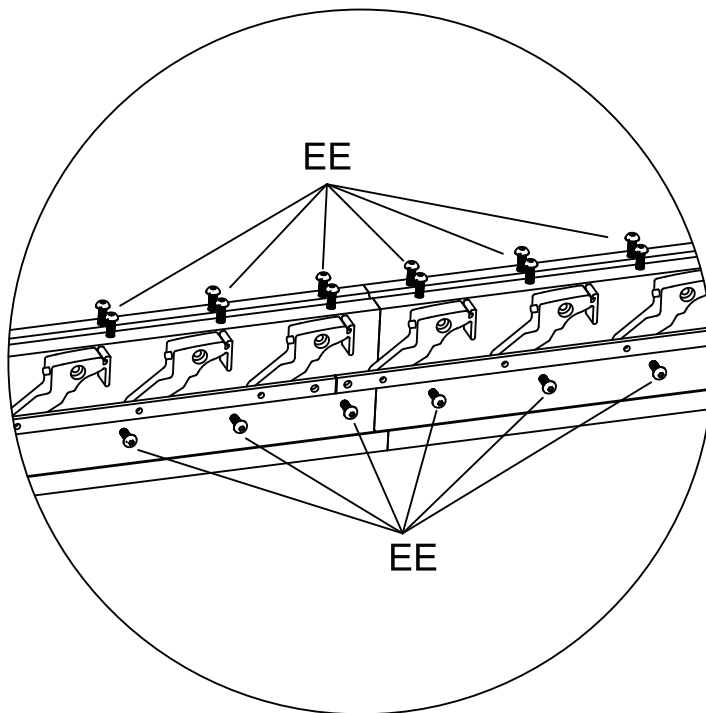
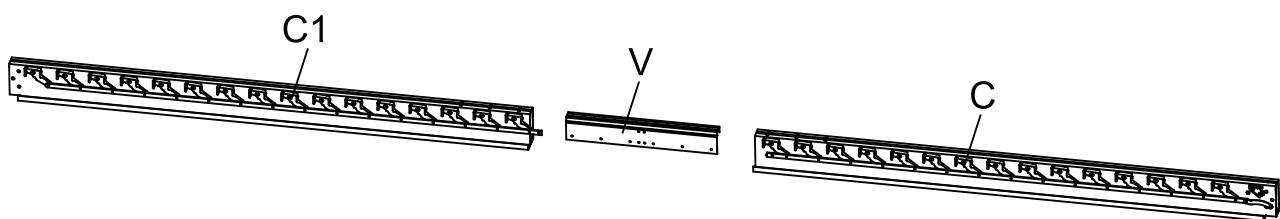
E-mail:
support@happatio.com

 Social Media



PERGOLA INSTALLATION STEPS

STEP 3



C	1		V	1	
C1	1		EE	18	M6*10



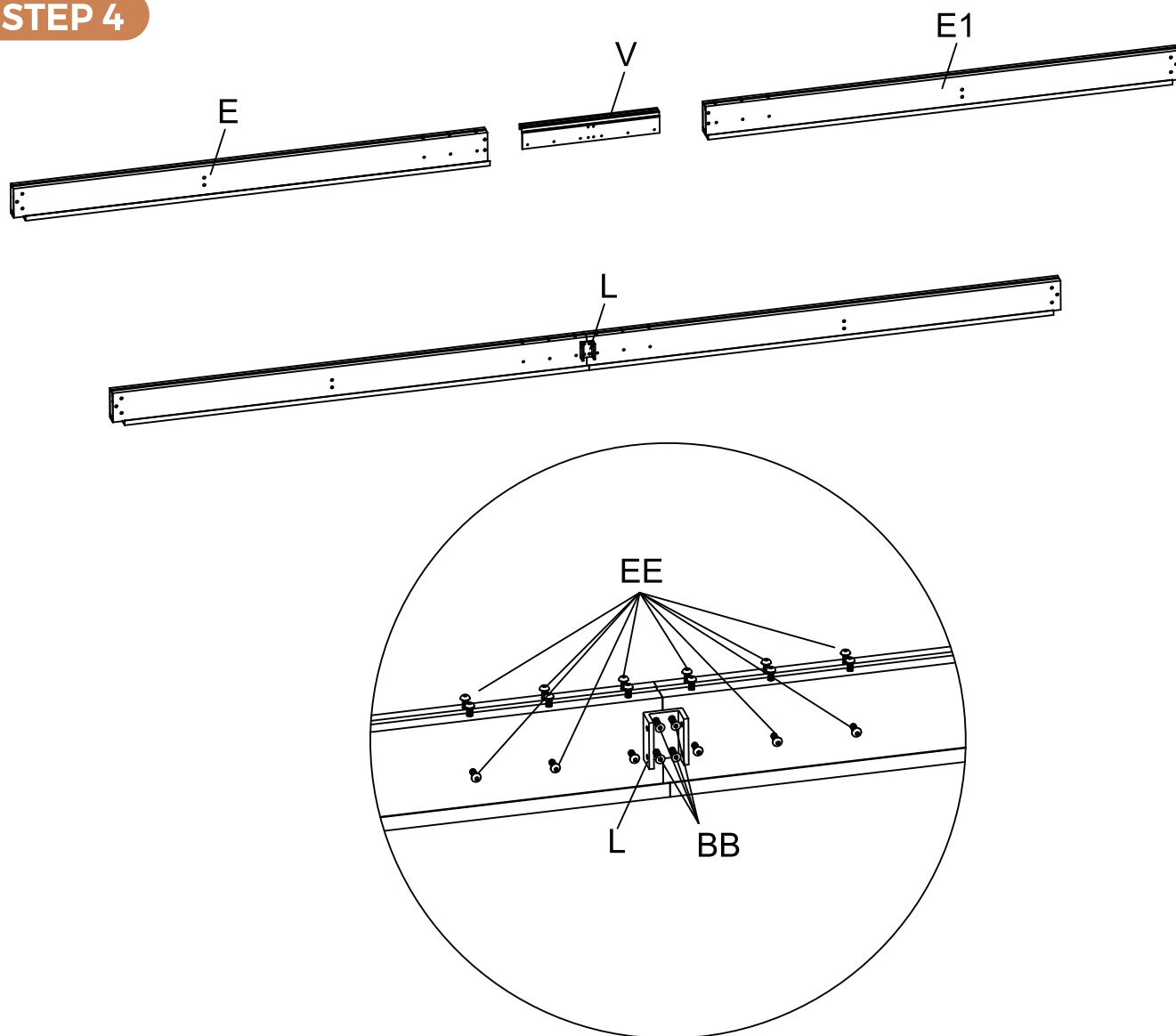
E-mail:
support@happatio.com


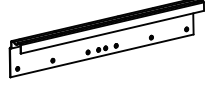

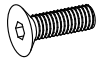
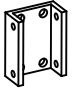
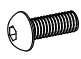
Social Media



PERGOLA INSTALLATION STEPS

STEP 4



E	1		V	1	
E1	1		BB	4	 M6*15
L	1		EE	18	 M6*10



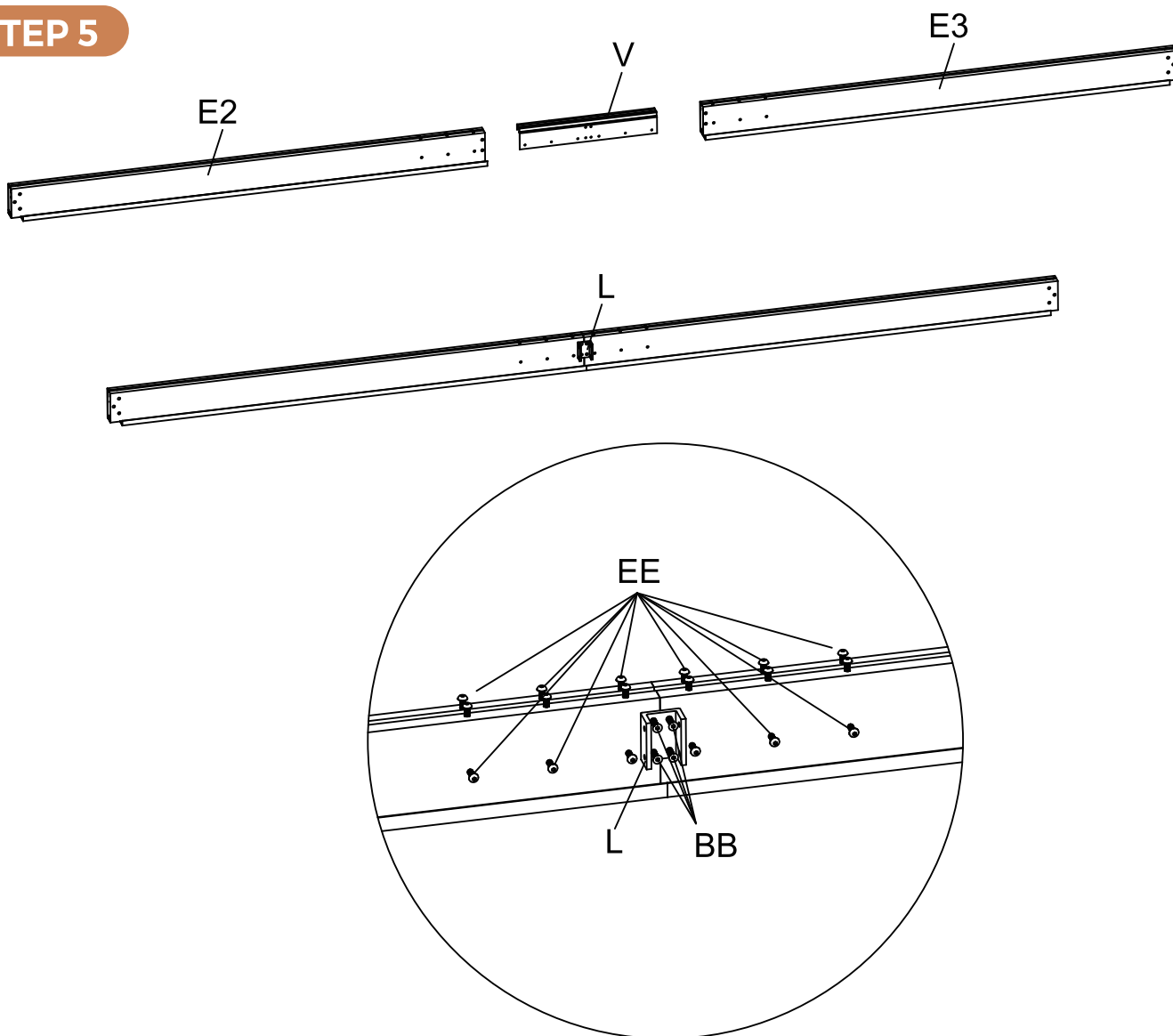
E-mail:
support@happatio.com


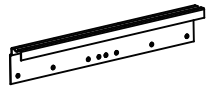

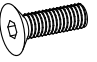
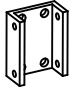

Social Media



PERGOLA INSTALLATION STEPS

STEP 5



E2	1		V	1	
E3	1		BB	4	 M6*15
L	1		EE	18	 M6*10



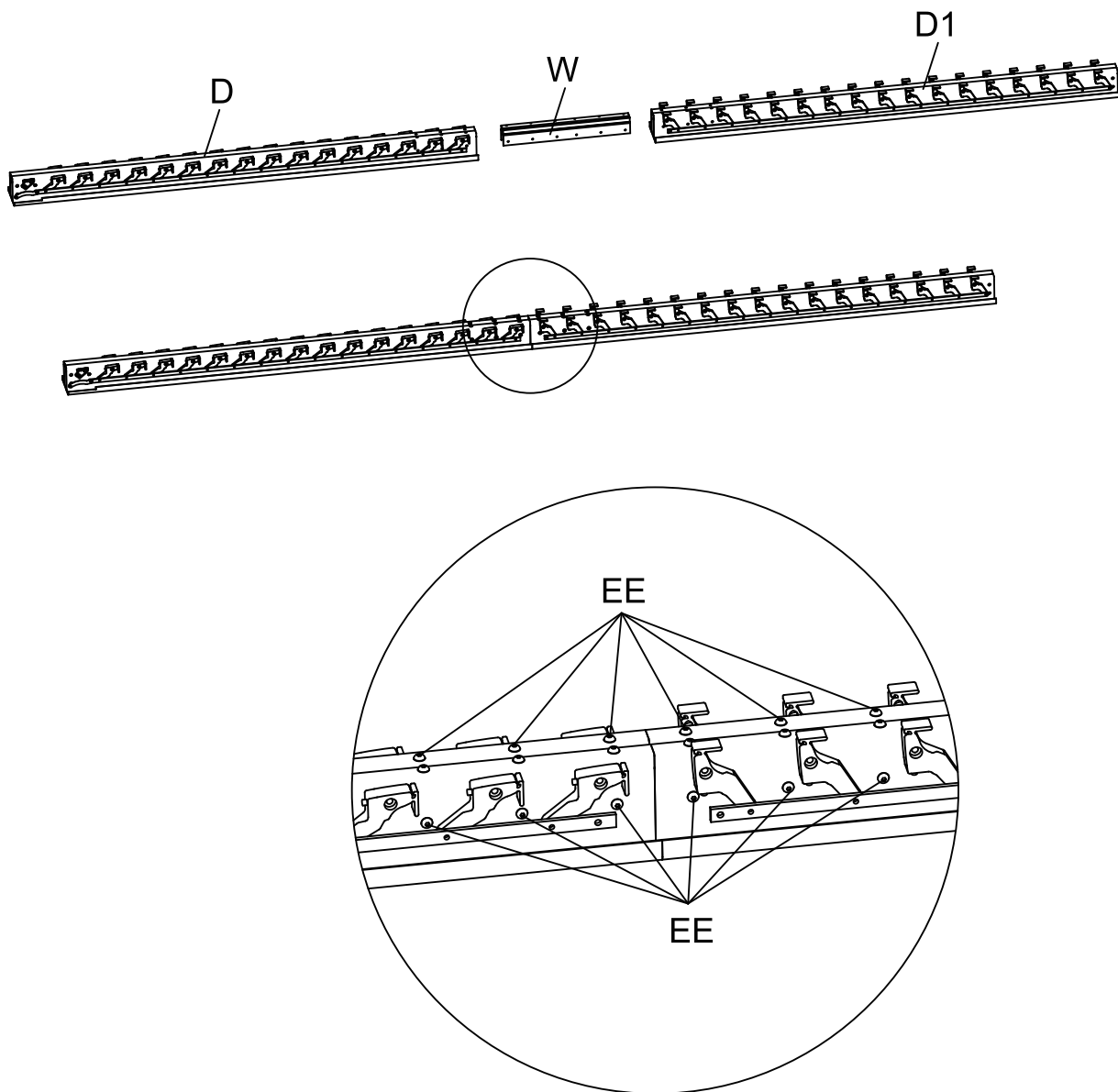
E-mail:
support@happatio.com


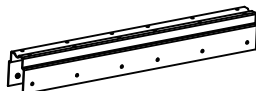


 Social Media



PERGOLA INSTALLATION STEPS

STEP 6



D	1		W	1	
D1	1		EE	24	 M6*10



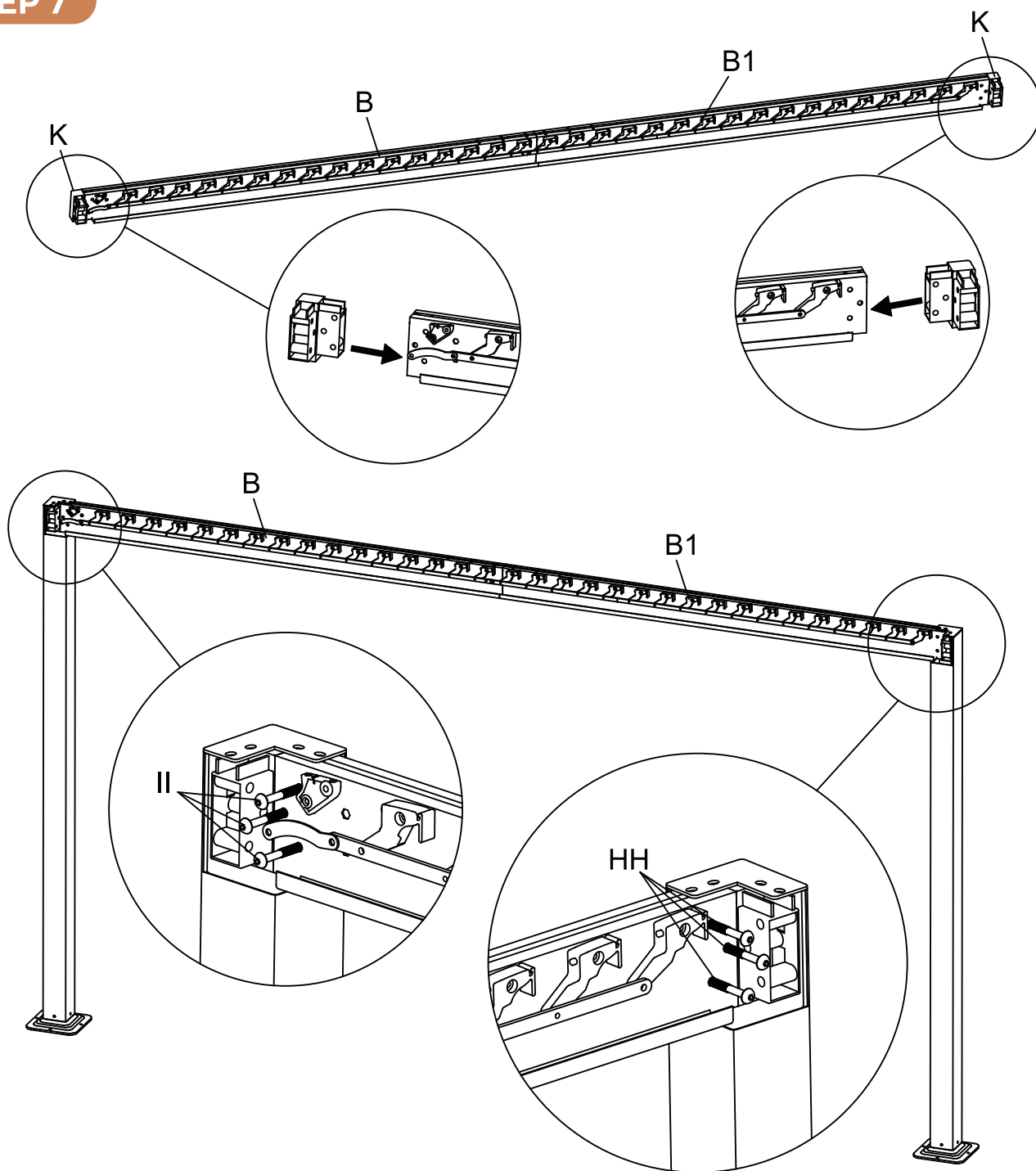
E-mail:
support@happatio.com

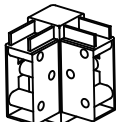

Social Media



PERGOLA INSTALLATION STEPS

STEP 7



K	2		HH	6	 M8*52
---	---	---	----	---	--



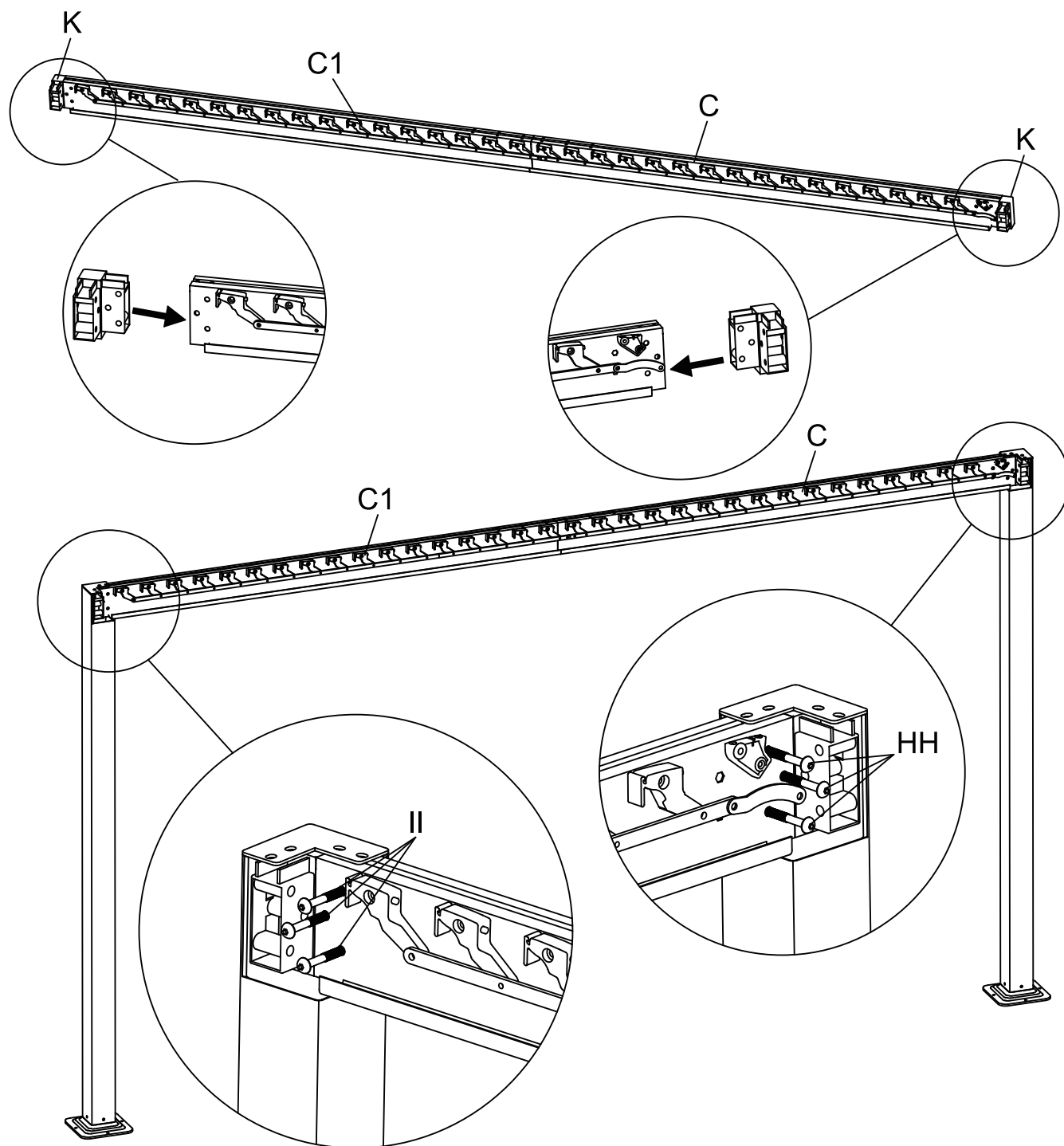
E-mail:
support@happatio.com

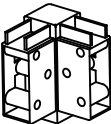
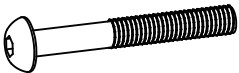
 Social Media



PERGOLA INSTALLATION STEPS

STEP 8



K	2		HH	6		M8*52
---	---	---	----	---	---	-------



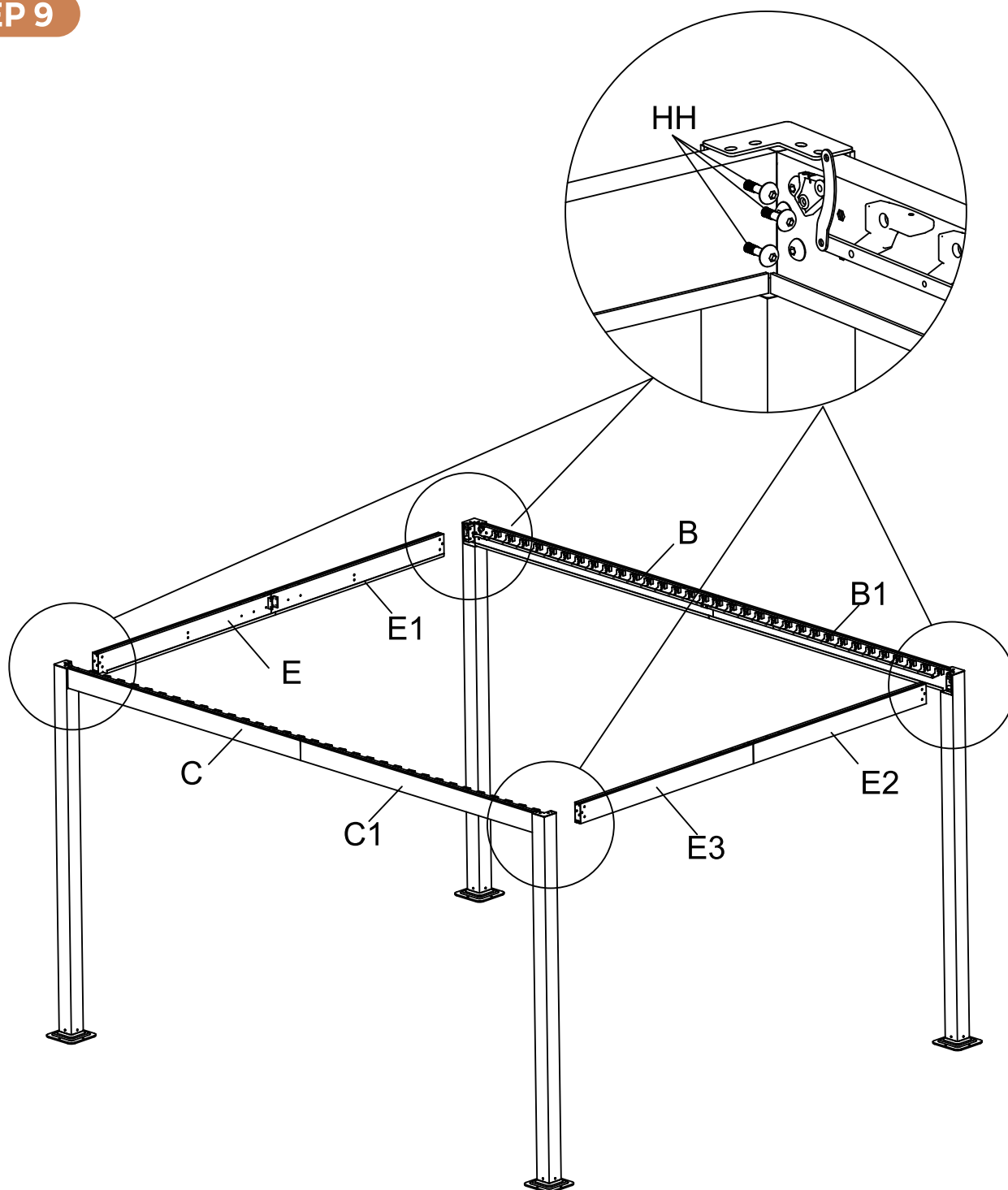
E-mail:
support@happatio.com


 Social Media



PERGOLA INSTALLATION STEPS

STEP 9



HH	12	
		M8*52



E-mail:
support@happatio.com

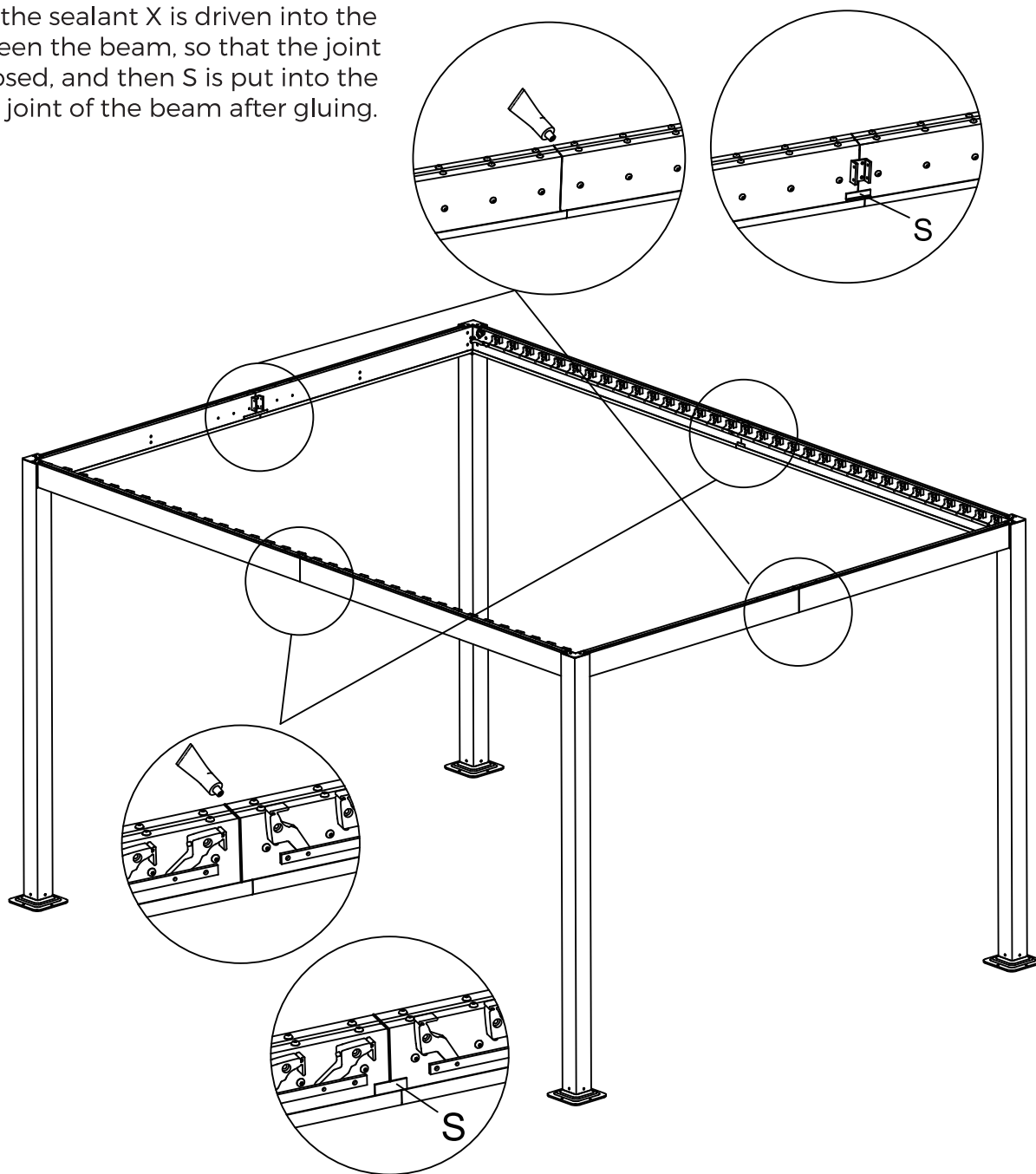

Social Media





PERGOLA INSTALLATION STEPS

STEP 10

First of all, the sealant X is driven into the joint between the beam, so that the joint is more closed, and then S is put into the sink at the joint of the beam after gluing.



S	4		X	1	
---	---	---	---	---	---



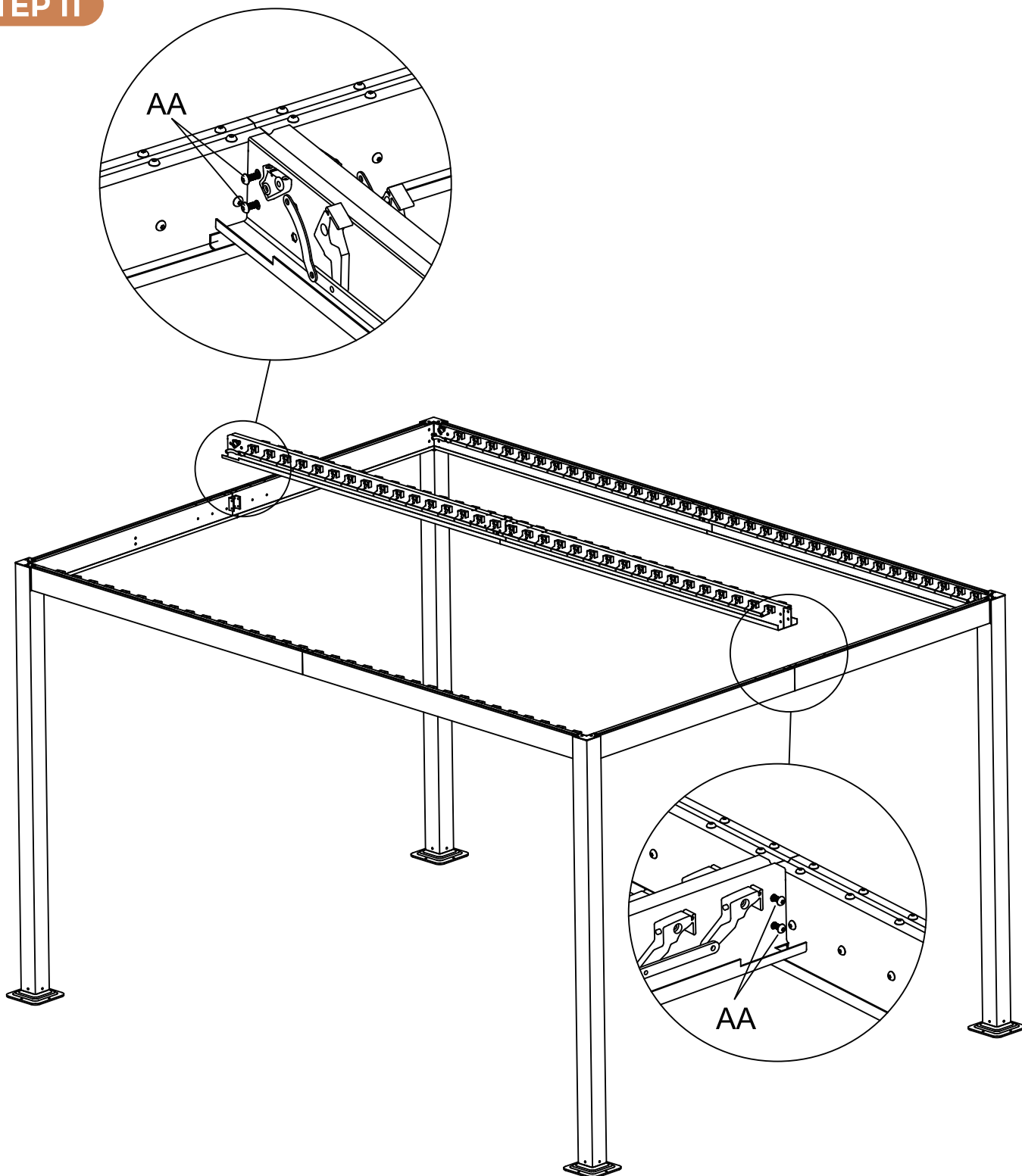
E-mail:
support@happatio.com



Social Media



PERGOLA INSTALLATION STEPS

STEP 11



AA	8	 M6*18
----	---	---



E-mail:
support@happatio.com

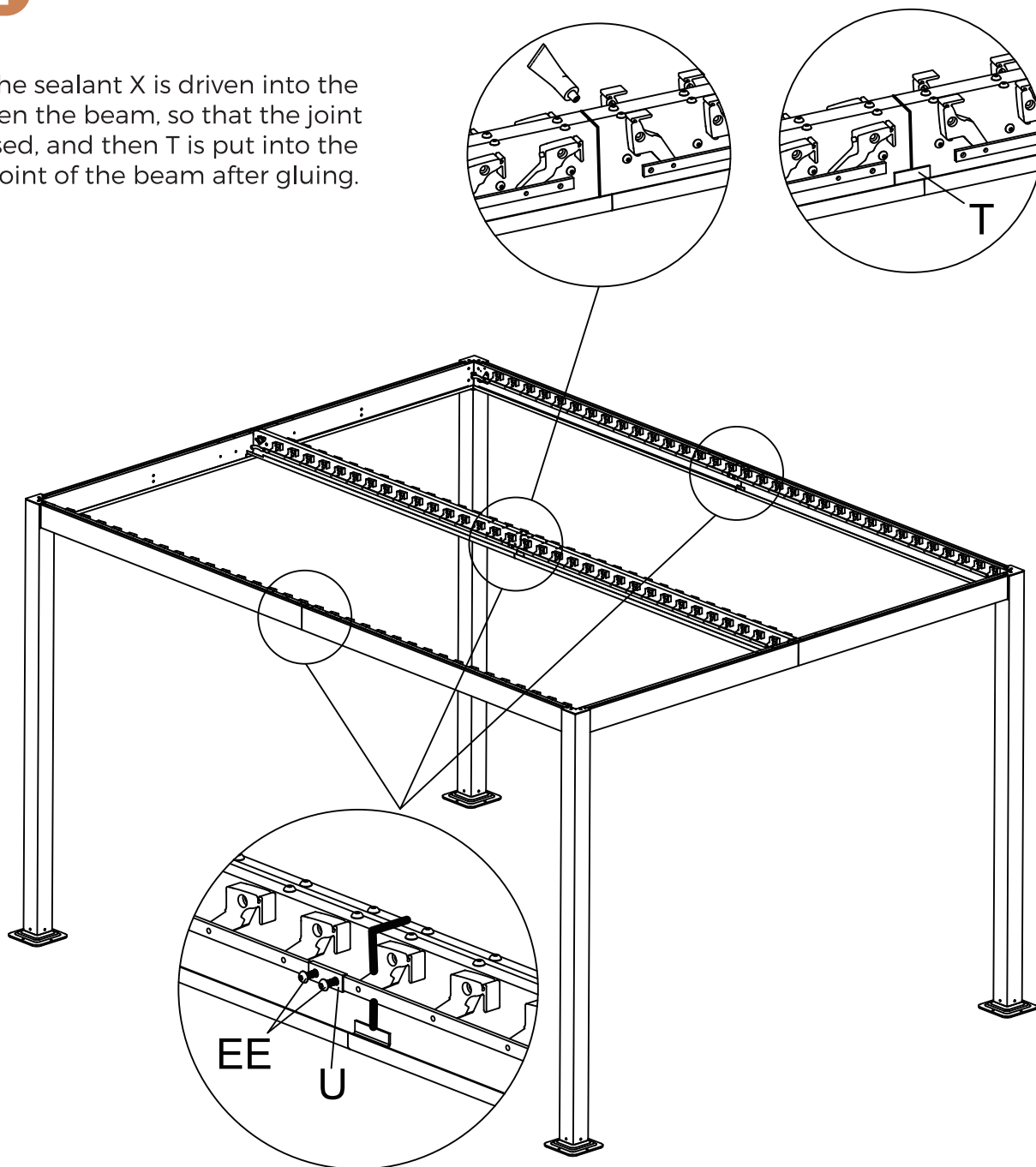

Social Media


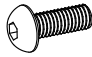



PERGOLA INSTALLATION STEPS

STEP 12

First of all, the sealant X is driven into the joint between the beam, so that the joint is more closed, and then T is put into the sink at the joint of the beam after gluing.



T	2		EE	8	 M6*10
U	4				



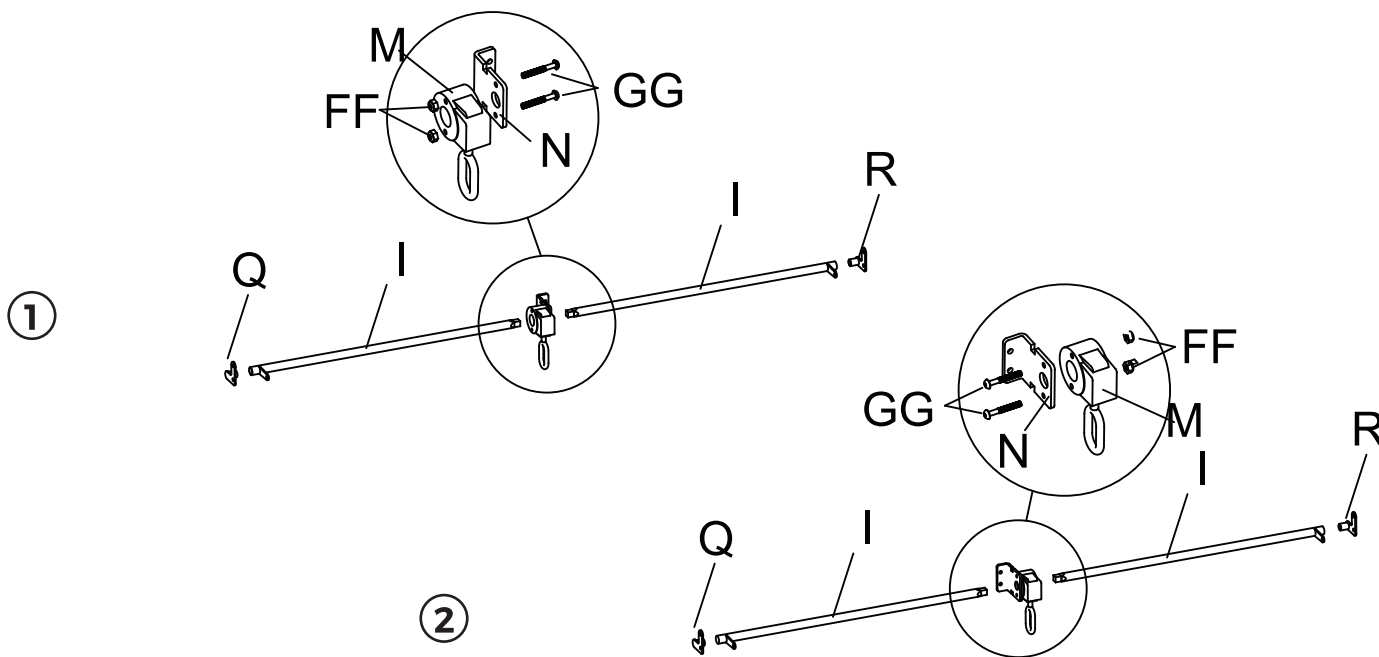
E-mail:
support@happatio.com


Social Media

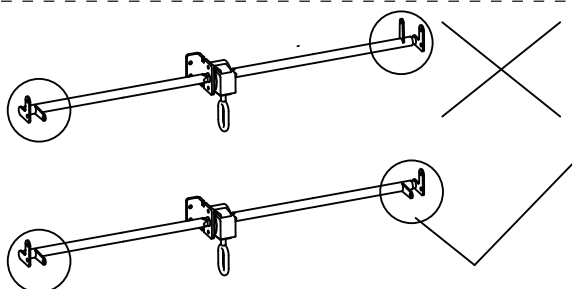


PERGOLA INSTALLATION STEPS

STEP 13



Example:



I	4		M	2	
Q	2		N	2	
R	2		GG	4	
FF	4				



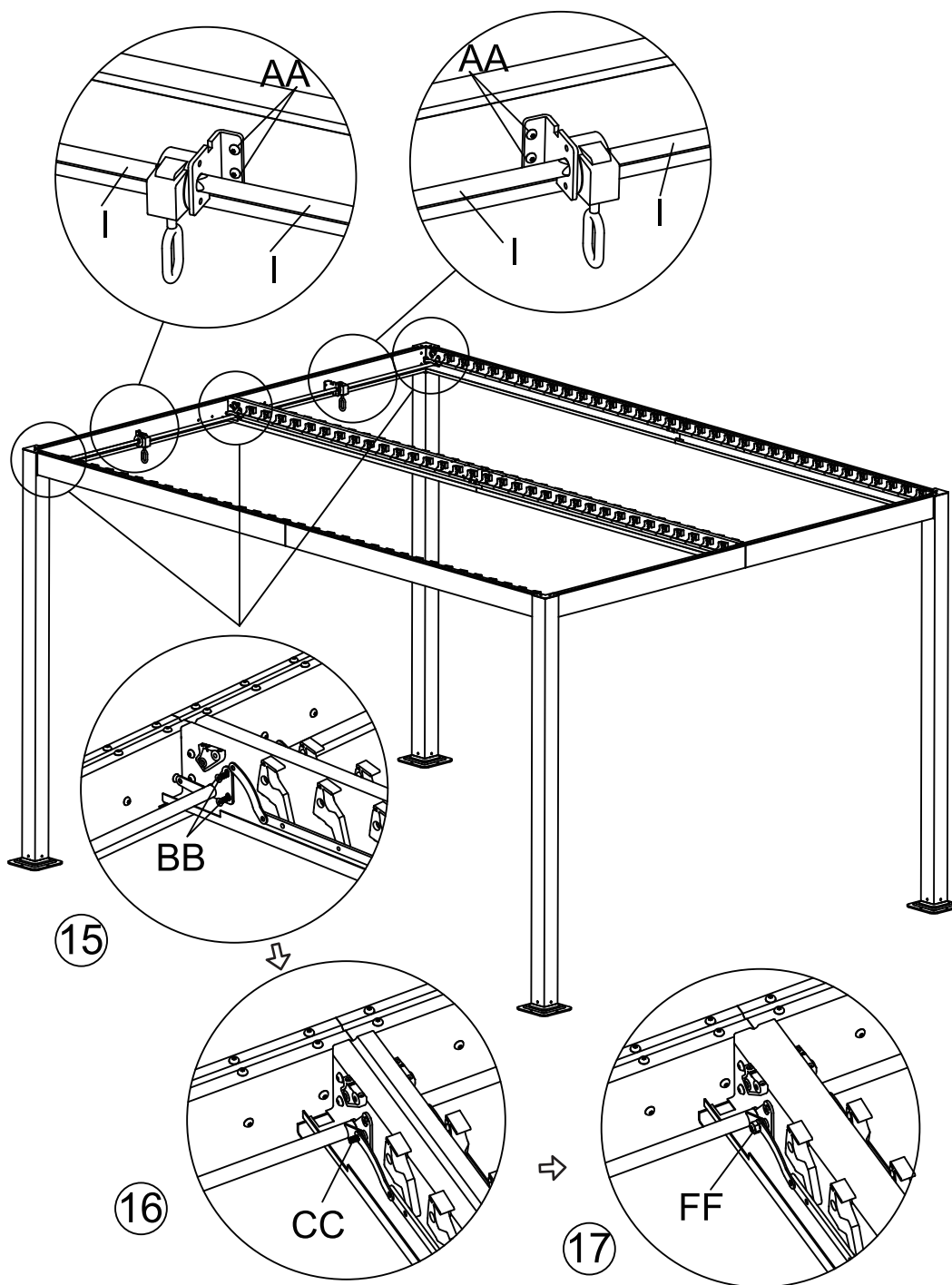
E-mail:
support@happatio.com


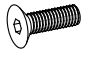
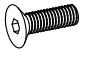

Social Media



PERGOLA INSTALLATION STEPS

STEP 14



AA	4	 M6*18	BB	8	 M6*15
CC	4	 M6*13	FF	4	 M6



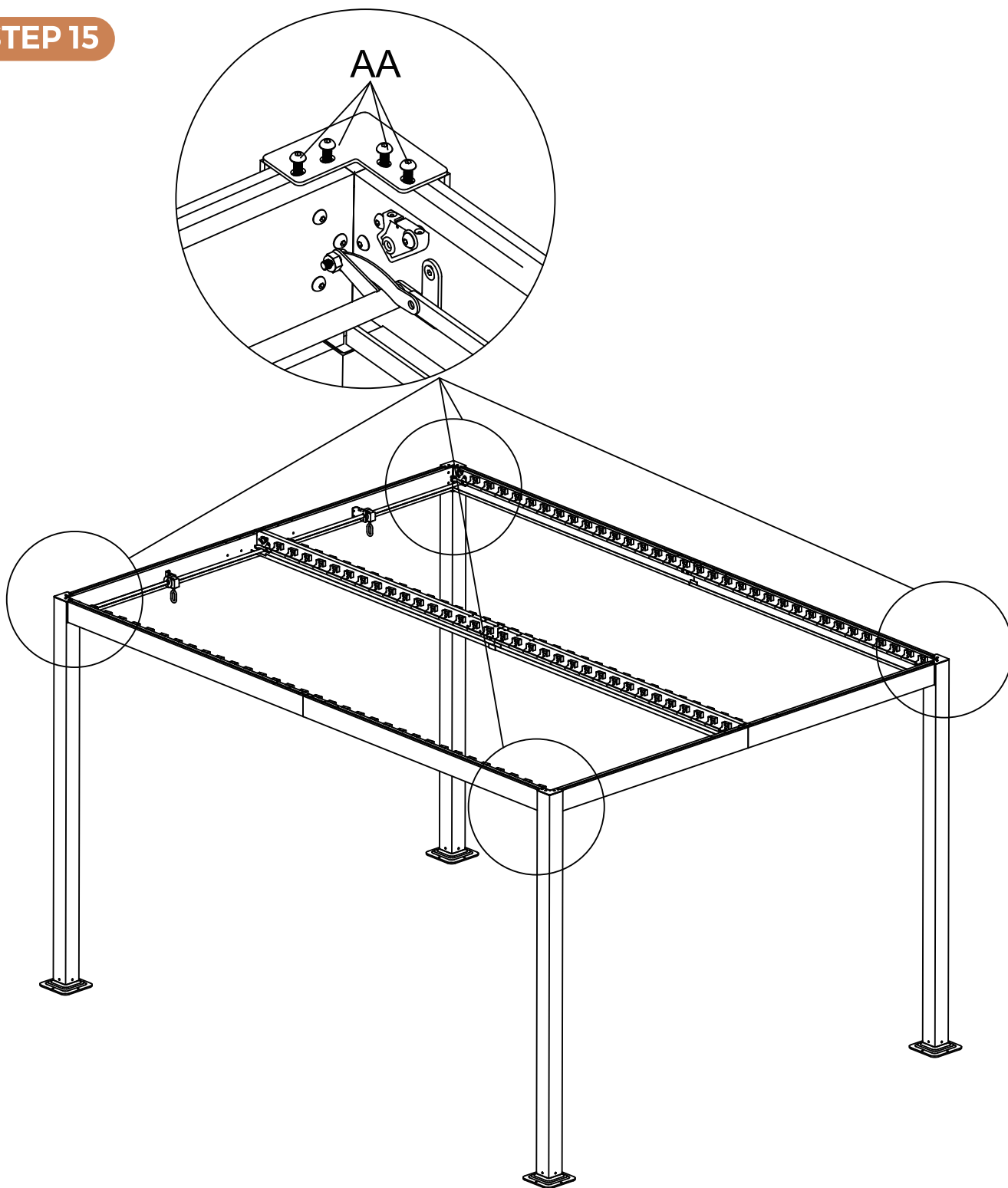
E-mail:
support@happatio.com


Social Media



PERGOLA INSTALLATION STEPS

STEP 15



AA	16	 M6*18
----	----	---



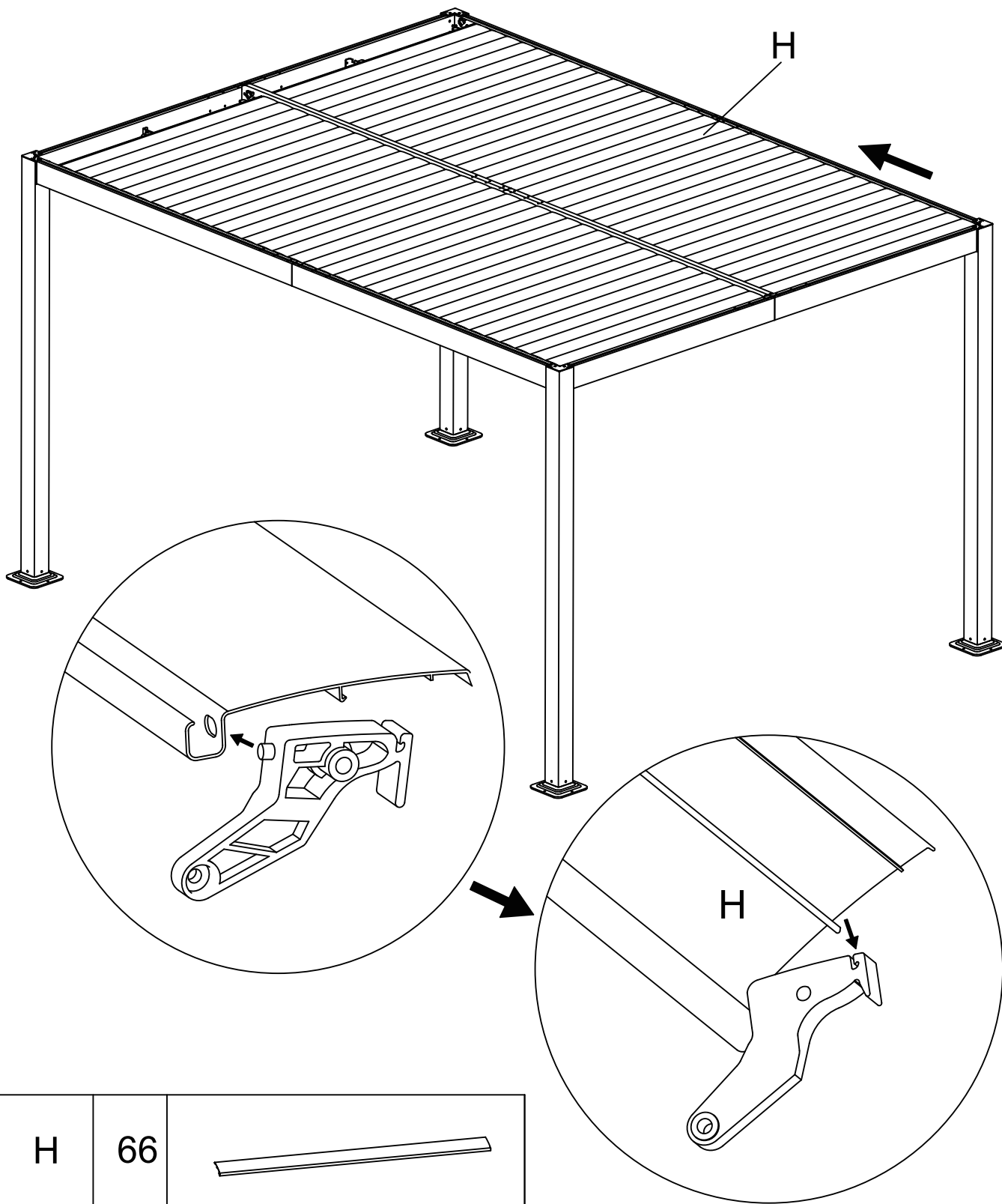
E-mail:
support@happatio.com


Social Media



PERGOLA INSTALLATION STEPS

STEP 16



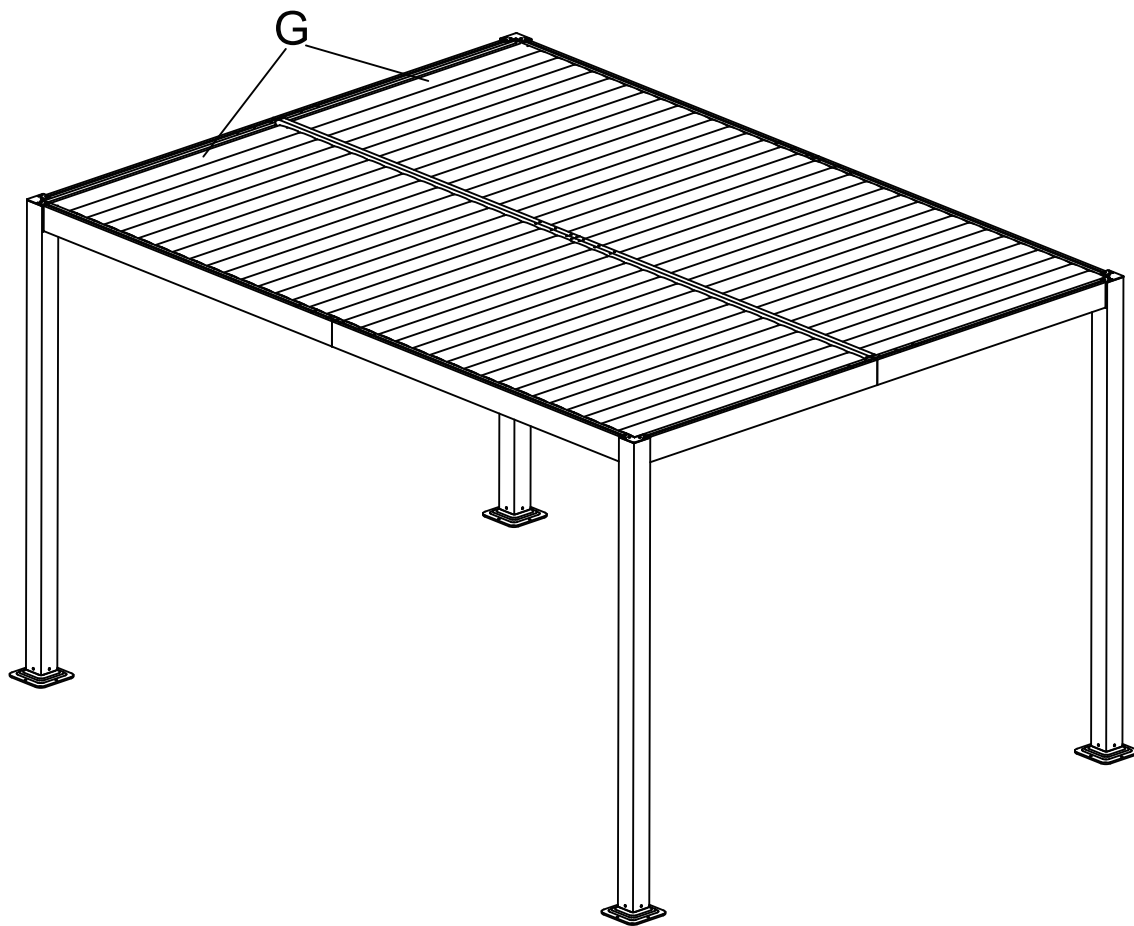
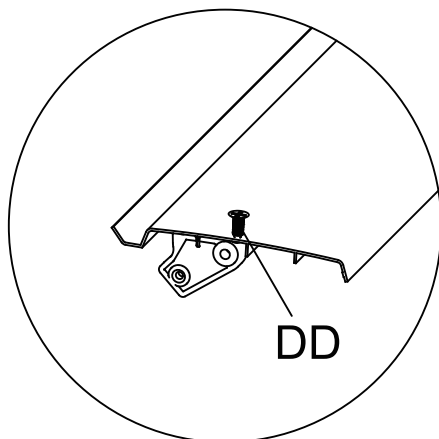
E-mail:
support@happatio.com


Social Media



PERGOLA INSTALLATION STEPS

STEP 17



G	2		DD	4	M4*12
---	---	--	----	---	-------



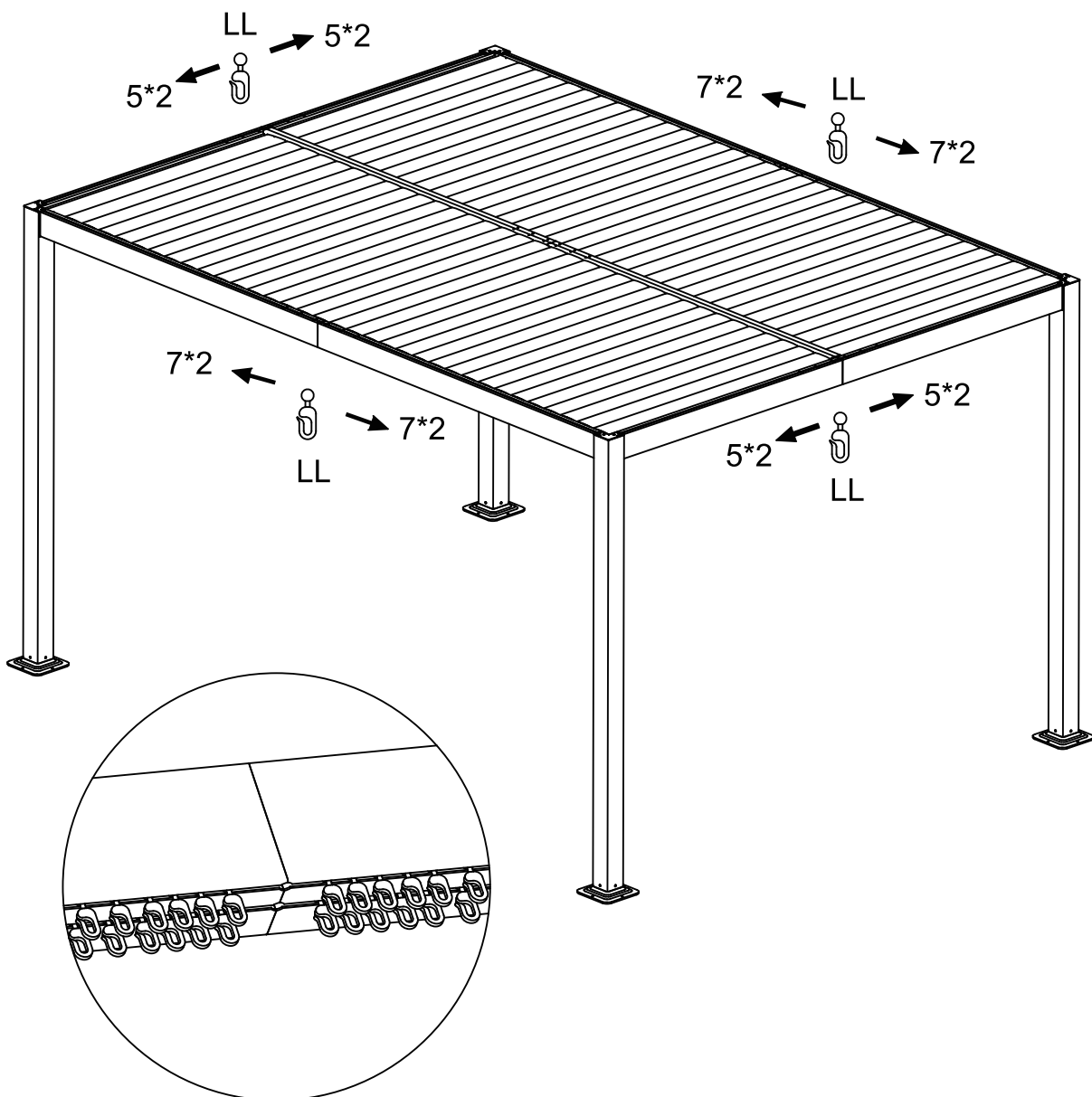
E-mail:
support@happatio.com

Social Media



PERGOLA INSTALLATION STEPS

STEP 18



LL	96	
----	----	--



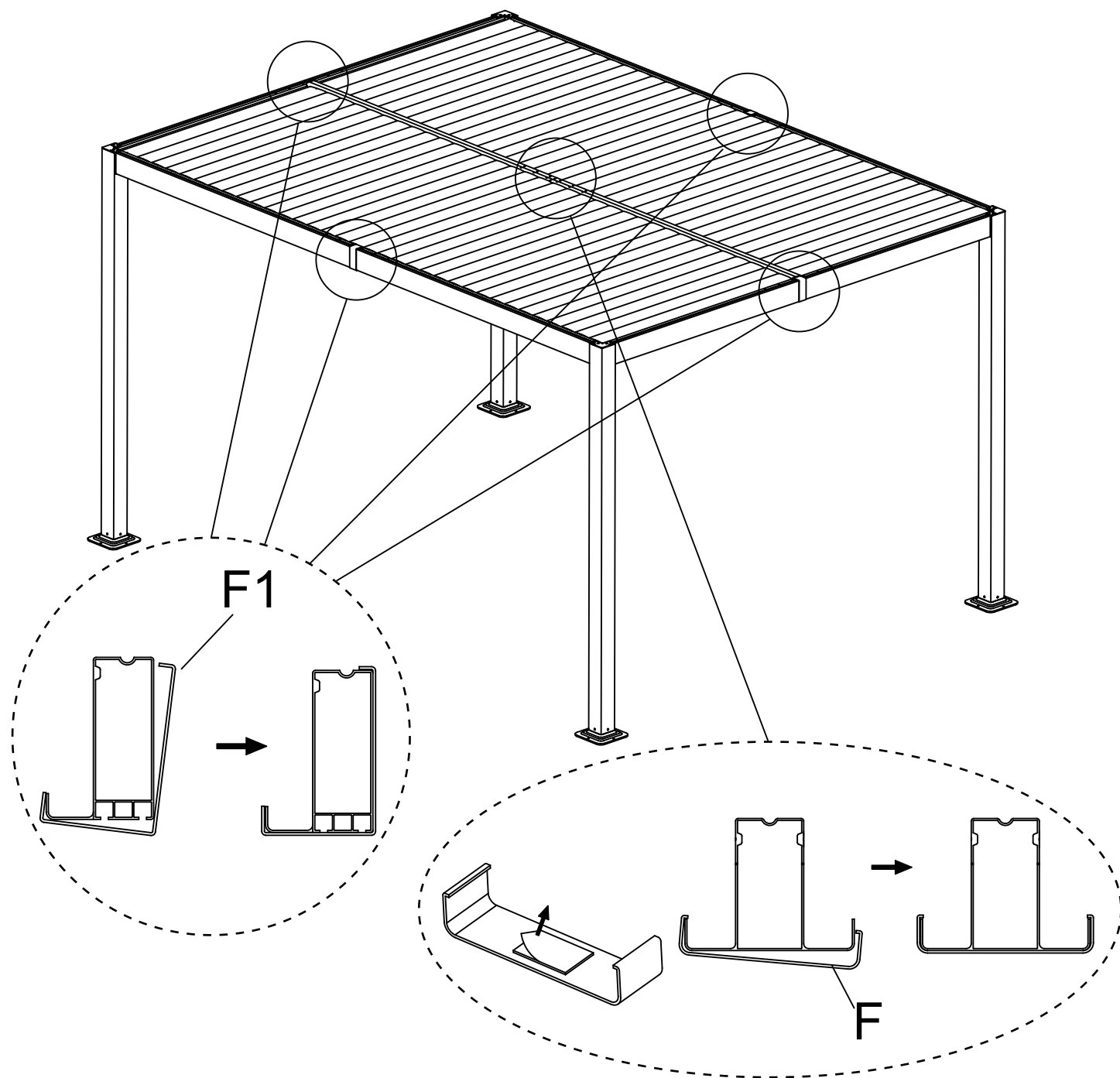
E-mail:
support@happatio.com


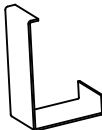

Social Media



PERGOLA INSTALLATION STEPS

STEP 19



F	1		F1	4	
---	---	---	----	---	---



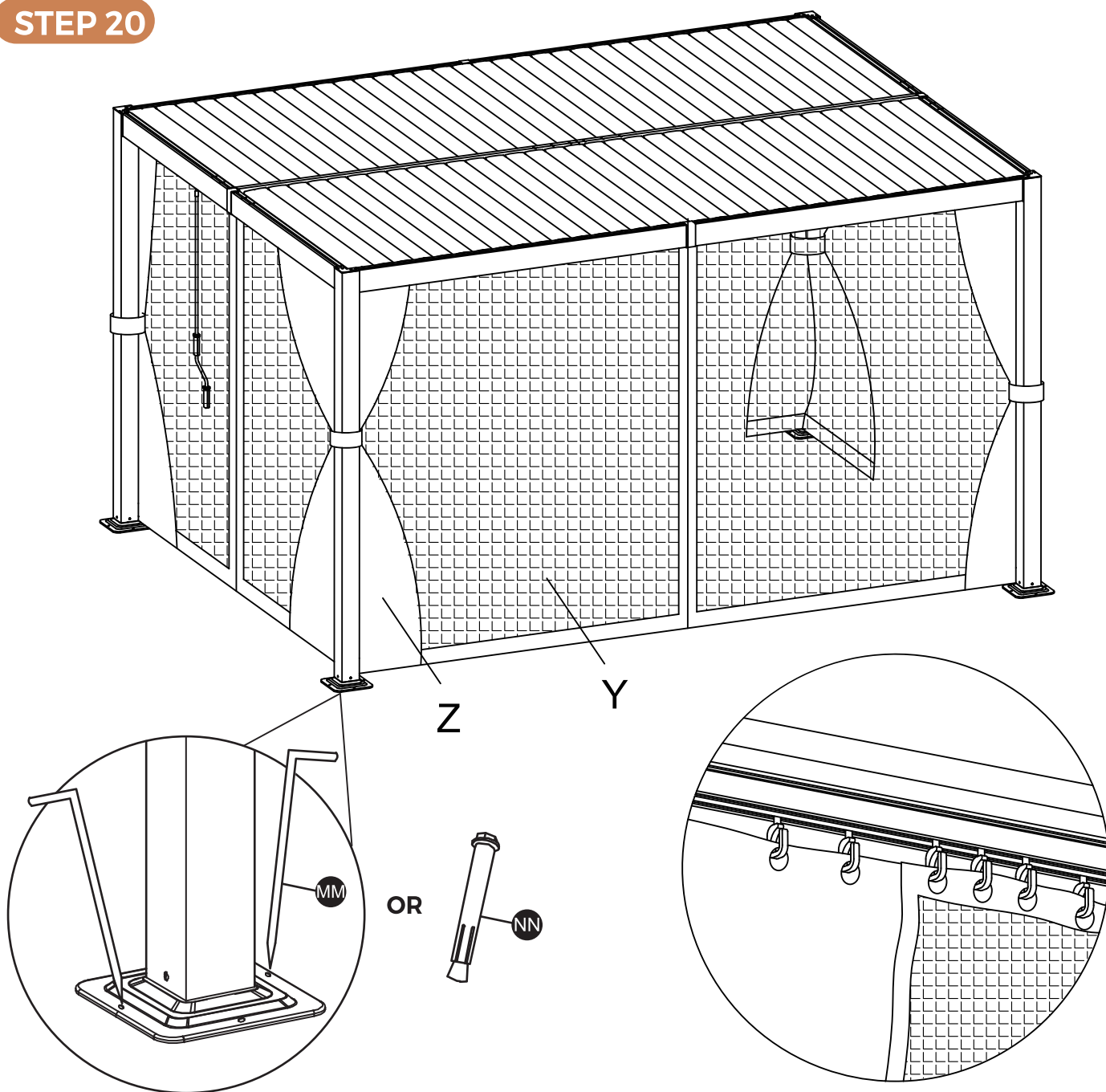
E-mail:
support@happatio.com



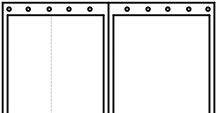
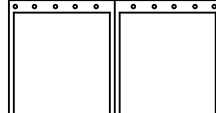

Social Media



PERGOLA INSTALLATION STEPS

STEP 20



MM			NN		
Y	4		Z	4	



E-mail:
support@happatio.com

 Social Media

