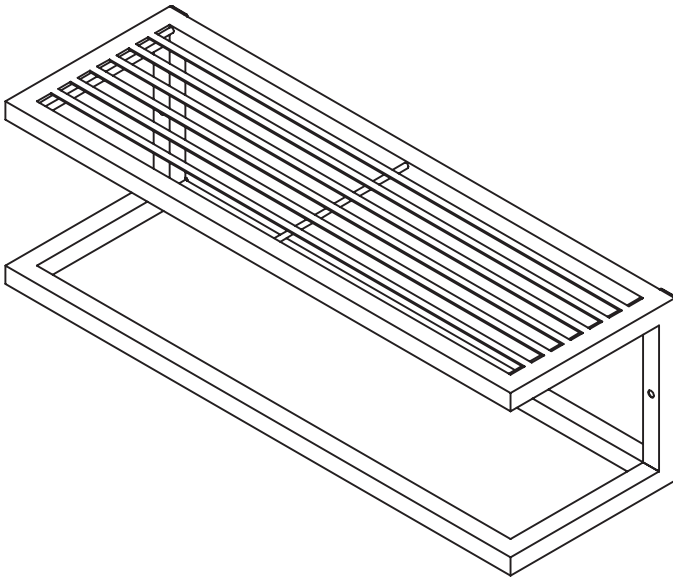




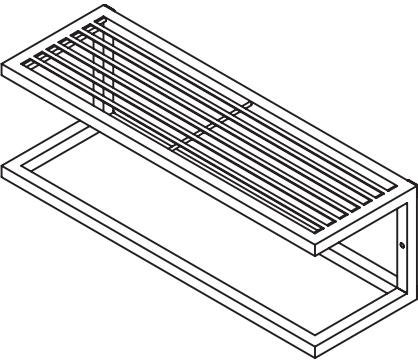


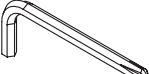
BTH-09097

towel bar wall shelf



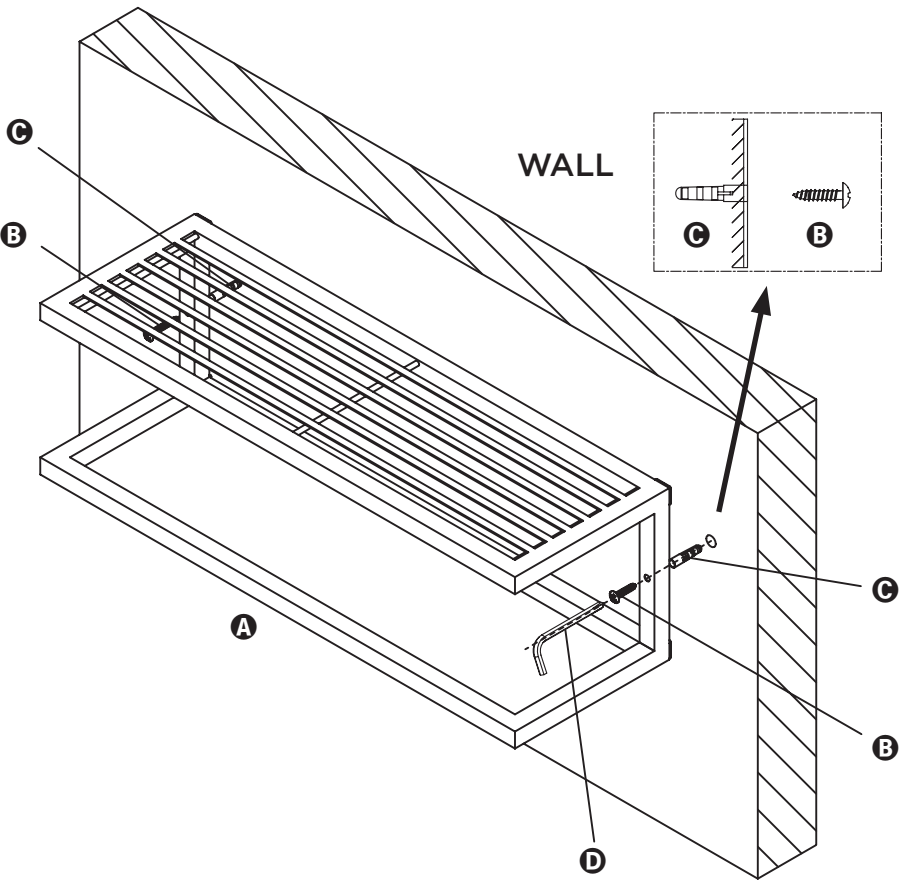
16 in L x 5.2 in W x 5 in H

PARTS LIST

PART/ILLUSTRATION	(QTY)	DESCRIPTION
A  A perspective line drawing of a rectangular towel bar wall shelf. It features a metal frame with a grid of horizontal bars on top. The shelf is shown from a three-quarter view, highlighting its depth and the open back.	(1)	towel bar wall shelf
B  A line drawing of a standard Phillips-head screw with a threaded shaft and a flat head.	(2)	screws
C  A line drawing of a wall anchor, specifically a sleeve anchor, consisting of a cylindrical sleeve with a central hole and a small protrusion on one end.	(2)	anchor
D  A line drawing of a hex/philips screwdriver, showing the L-shaped handle and the tapered shaft.	(1)	hex/philips screw driver

ASSEMBLY

1





YOUR SOURCE FOR
ORGANIZATION,
STORAGE & STYLE

Honey-Can-Do International

5300 St. Charles Road, Berkeley, IL 60163 USA

877.242.2636 | honeycando.com | customerservice@honeycando.com

©2020 Honey-Can-Do International, LLC | All Rights Reserved

Visit [youtube.com/myhoneycando](https://www.youtube.com/myhoneycando) to watch our assembly videos.