

STEEL
BARN DOOR
HARDWARE

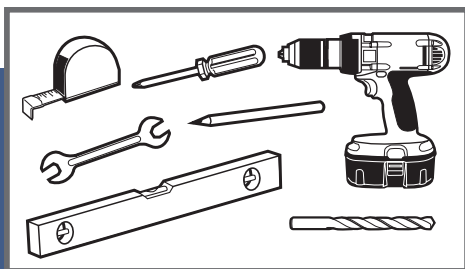
LB2007BLK-2M
LB2007BLK-1M1M

INSTALLATION MANUAL



LENGTH 6.6FT
FITS DOOR WIDTH UP TO 36IN

WWW.LUBANN.US



Tools Needed:

Pencil, philips head screwdriver, tape measure, power drill, assorted drill bits (incl. 5/16" and 3/8"), wrench set or adjustable wrench, level, squaring tool and wear all necessary safety gears for personal protection.

★ Track and all fasteners must be mounted into wood studs or wall blocking for maximum weight capacity. Alternatively, use a 1X4 header board with the same length as the track.



Optional:

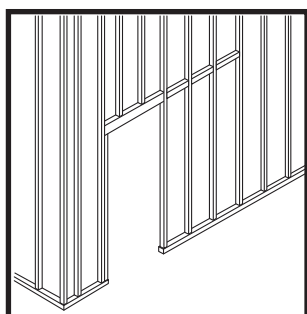
If the 6.6FT track comes in two short tracks, please connect the two short tracks as in figure to make a 6.6FT track.

1 Determine track height and location

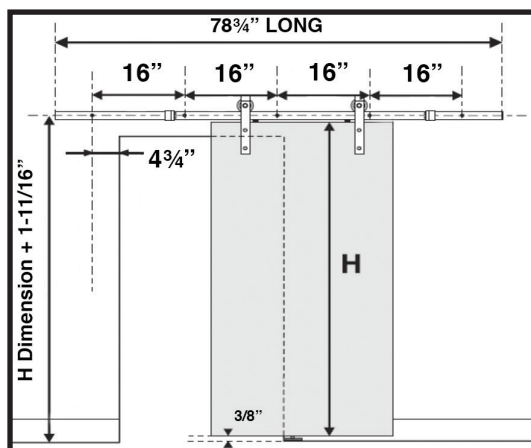
Decorative Sliding Door Track must be installed into a solid blocking or extended head casing.

WARNING: Do NOT install Flat Track Hardware solely on drywall or other wallboard surface as these surfaces may not support the track. Every track mounting screw used in the installation process needs to be securely fastened into a structural surface.

Use a stud finder to locate wood studs and wood blocking inside the wall as shown in figure .

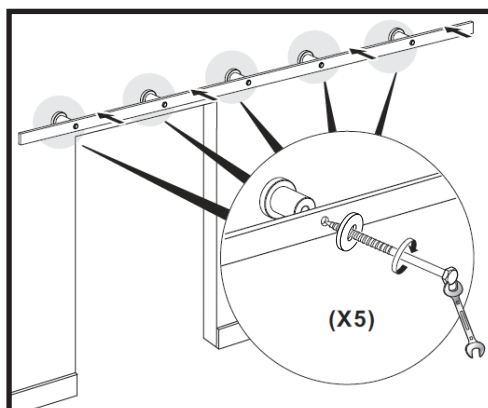


Measure up from the floor "door height+1-3/4 in." to the centerline of the track. Leave at least 2 in. from the end of the track to the side of the door opening. Use a level to level the track and mark screw holes. Drill 1/4 in. pilot holes.



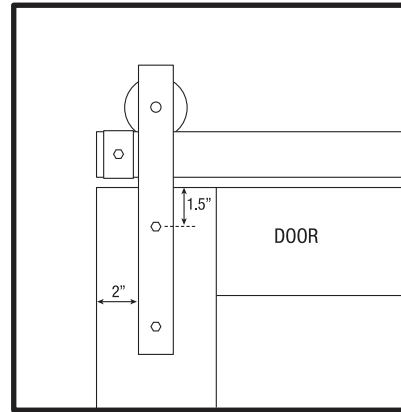
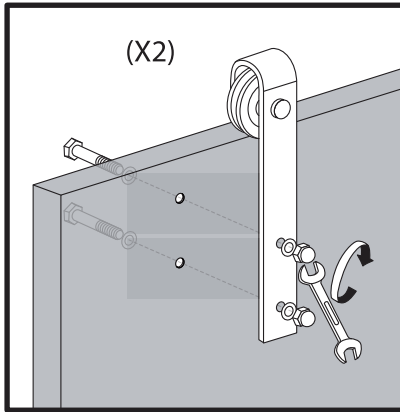
2 Install the track to the wall

Align spacers (i.e. standoffs) behind the track. Install flat washer on the lag bolt and attach track to the board or wall.



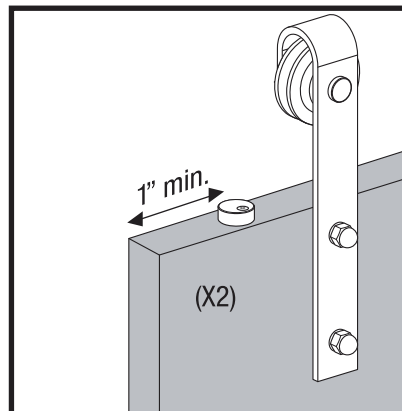
3 Attach the rollers to the door

Position roller on front of door so it is parallel to the edge of the door, leaving at least 2 in. between the edge of the door and the roller. Adjust vertical placement of rollers leaving 1-1/2 in. from the top of the door to the center of the first roller hole. Mark roller screw locations and repeat for the second roller. Using a 3/8 in. drill bit, drill through holes on the door. For 1-3/8 in. doors use 2-5/32 in. bolts and for 1-3/4 in. doors use 2-1/2 in. bolts to mount rollers as shown.



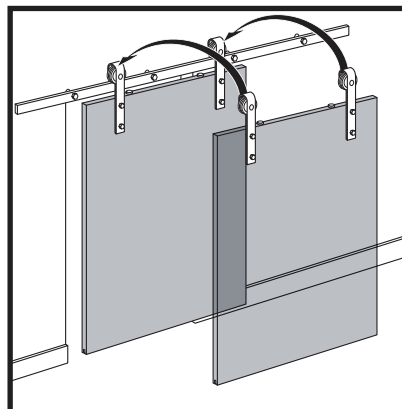
4 Installing anti-jump discs

Fasten anti-jump discs to top of door by placing them at least 1 in. from the edge of door.



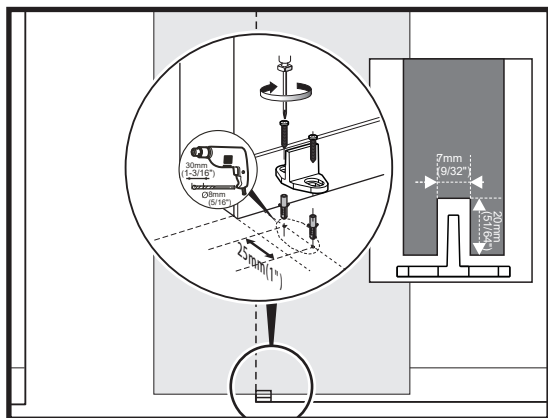
5 Place the door onto the track

Place assembled door with rollers onto track. Use a level to plumb the door. Make sure all parts work properly by sliding door back and forth.



6 Install floor guide

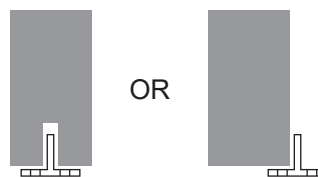
After door is plumb, position one doorstop so door overlaps opening by 1 in. when in open position. Tighten doorstop once positioned correctly (do not tighten the second doorstop yet). Mark centerline of overlap and place center of Floor Guide in line. Slide the door closed and secure the Floor Guide. If going into a concrete floor, use provided anchors. Tighten the second doorstop. Slide door all the way to ensure proper Doorstop and Floor Guide installation.



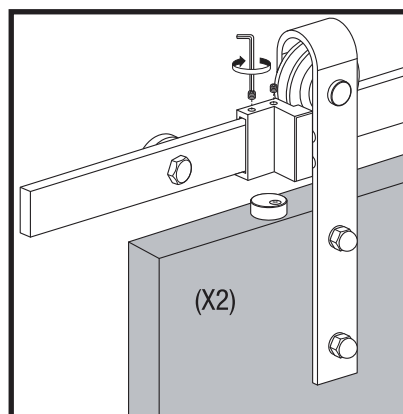
Floor guide:

Left if the bottom of the door is morticed 1/4" wide x 3/4" deep centrally.

Right if the door has no groove in the bottom.

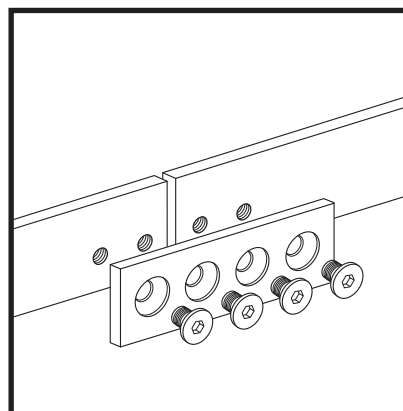


7 Install door stops onto the track



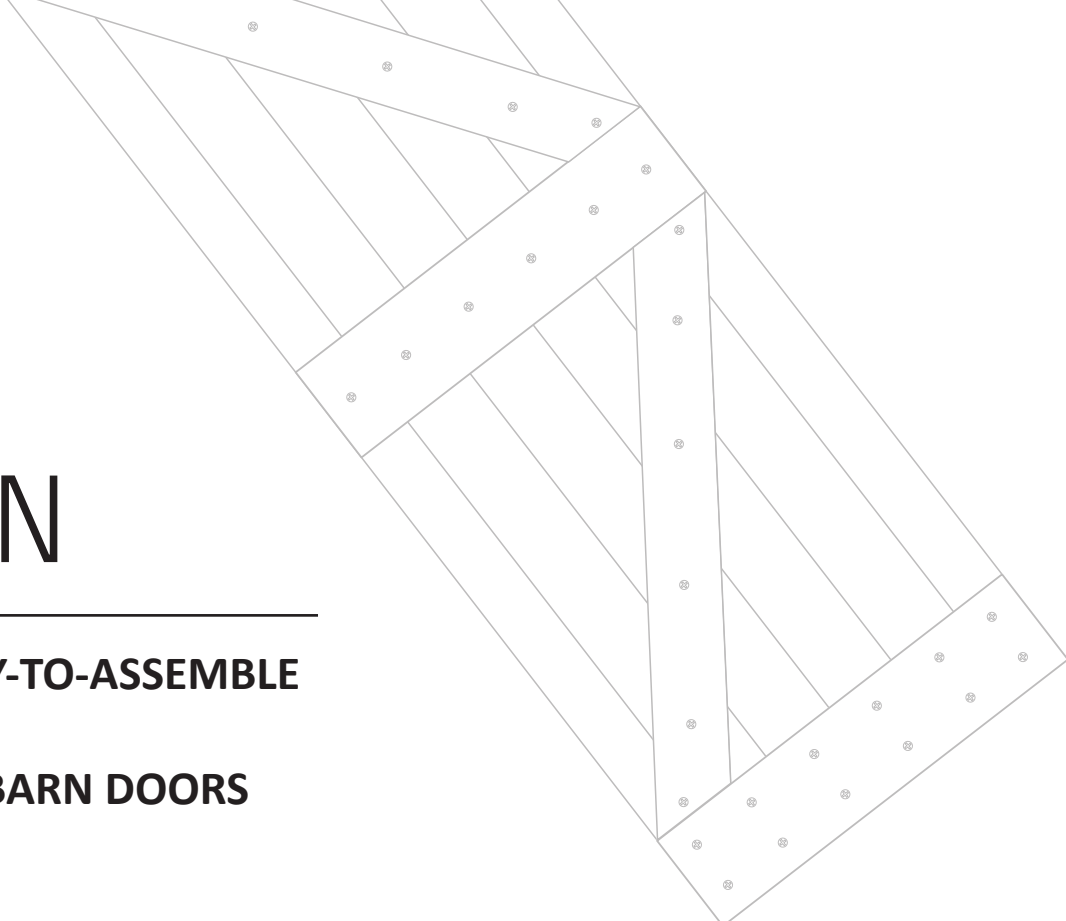
8 Connecting multiple tracks (optional)

If door opening is over 36 in., multiple tracks can be connected with Connecting Adapter for wider or bi-parting doors. Follow instructions on Connecting Adapter and steps 1 through 8 of above.





**LUBANN READY-TO-ASSEMBLE
RUSTIC ALDER
HAND-WOOD BARN DOORS**



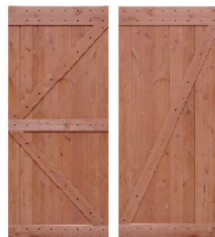
24X84



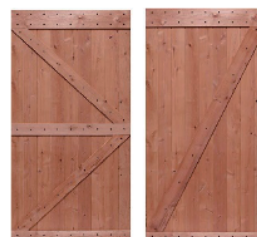
28X84



30X84



36X84

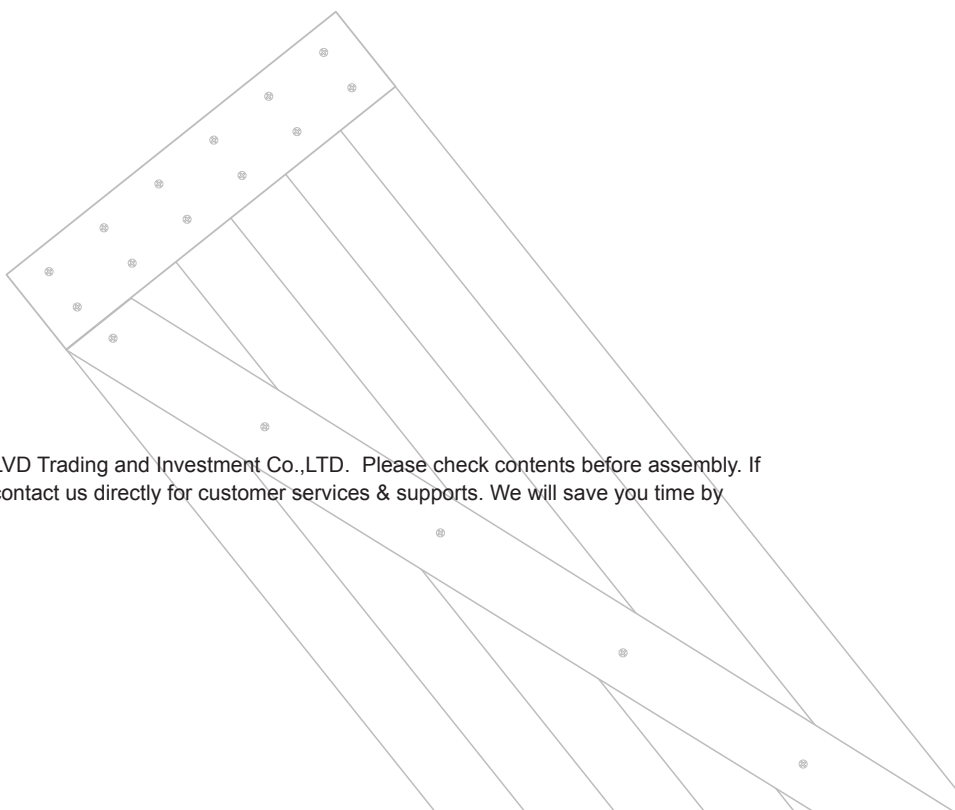


42X84

Contact Us:

LUBANN is a trademark owned by Valley BLVD Trading and Investment Co.,LTD. Please check contents before assembly. If any items are missing or damaged, please contact us directly for customer services & supports. We will save you time by correcting any problems directly for you.

Business Phone: 909-445-0404
Email: lubannus@gmail.com
www.lubannus.com



⚠️ Precautions and Warnings

- Follow all manufacturers' instructions.
- Use proper and safe equipment and precautions when assembling and installing a barn door.
- Use sharp tools with care to avoid damage to wood surfaces.
- Use caution when tightening screws to avoid stripping the screw holes.
- Moving an assembled door can be awkward and could cause physical injury or product damage; we recommend the help of a second person.

⚠️ CALIFORNIA PROPOSITION 65 WARNING

WARNING: Drilling, sawing, sanding or machining wood products can expose you to wood dust, a substance known to the State of California to cause cancer. Avoid inhaling wood dust or use a dust mask or other safeguards for personal protection. For more information go to www.P65Warnings.ca.gov/wood

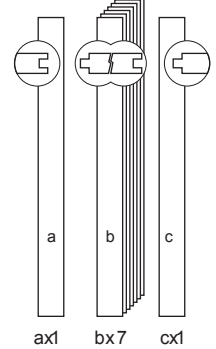
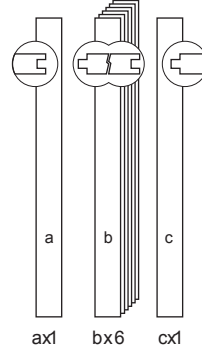
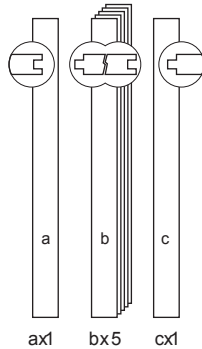
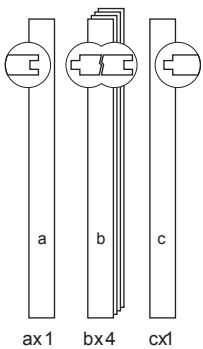
Thank you for purchasing LUBANN barn doors. Key features:

- Made in the US with domestic hardwood alder
- knotty alder graded and inspected by The National Hardwood Lumber Association (NHLA)
- Each door is unique and embodiment of natural rustic appeal and American farmhouse style
- Easy D.I.Y products for your home improvement projects
- Can be customized to meet specific needs
- Finish the door with stains or paints to match your home decor (unfinished options)

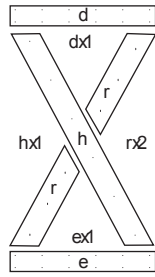
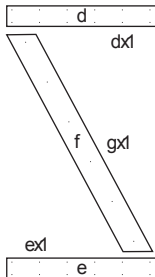
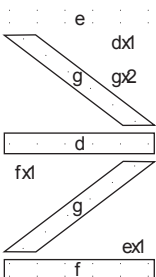
Parts:

Door Slab

- | | | | |
|---|---|---|---|
| <input type="checkbox"/> 24 x 84 inches | <input type="checkbox"/> 30 x 84 inches | <input type="checkbox"/> 36 x 84 inches | <input type="checkbox"/> 40 x 84 inches |
| <input type="checkbox"/> 28 x 84 inches | <input type="checkbox"/> 32 x 84 inches | <input type="checkbox"/> 38 x 84 inches | <input type="checkbox"/> 42 x 84 inches |



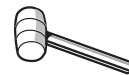
Overlay



Screws



Tools Required (*not provided*)



Mallet



Phillips Screwdriver

Before Assembly

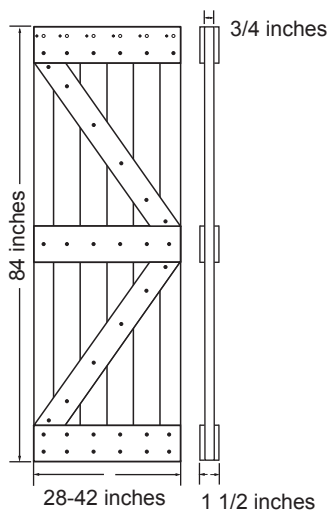
LUBANN Wooden Barn doors have unique rustic appearances coming from the following natural characters of alder wood.

- Open and closed knots sizes will vary from pinhole knots to over an inch wide open knots
- Bark Pockets – bark that is partly or completely enclosed in the board
- Checking – surfaced stress cracks going across the grain mainly caused by seasoning
- Shake – separation along the grain

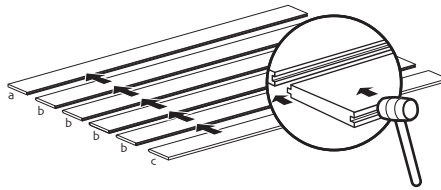


If any door plank(s) arrive(s) showing warping, bowing or cupping that may cause the door assembly unnecessarily difficult, please contact us immediately and we will replace warped and damaged pieces.

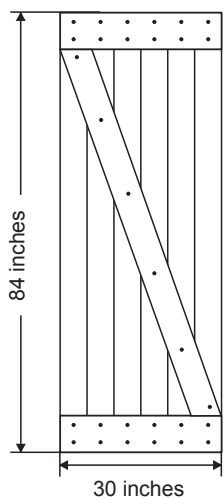
A quick guide to assembly



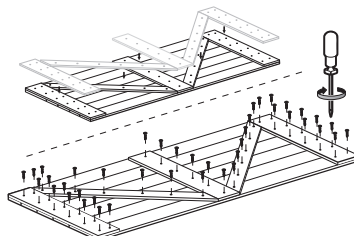
1. Lay out door planks A, Bs, C on a flat surface. assemble the door slab by fitting T&G. Make sure the top and bottom ends are flush. Adjust T&G spacing to get the correct width. Check to make sure the door slab is square



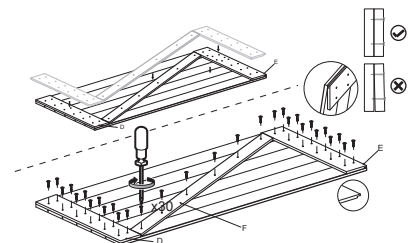
2. Lay out overlay planks and insert screws into the pilot holes. Don't overtight the screws. Press the boards together closely without gaps when tightening the screws.



2a



2b



3. Repeat the step on the other side.

4. We recommend to sand the surface before stain the door. Test stains or paints on scraps first.

After Assembly:

Finish the door: please follow the wood stain/paint instructions.

- (1) visually check the door surface;
- (2) use wood filler to fill any unwanted holes or cracks;
- (3) sand the door surface to remove dirt, grease, glue and handling marks;
- (4) apply pre-stain conditioner before the stain helps the wood absorb the stain evenly;
- (5) apply more than one coat of stain. Let the stain dry completely and sand lightly between coats;
- (6) apply at least two coats of finishes or sealers such as polyurethane to protect the surface. (Additional coats of sealers are especially important for door use at bathroom or kitchen areas.) It is important to apply sealers on all six surfaces of the door slab.

Install the door: please follow barn door hardware installation instructions from the manufacturer.

The bottom of the door is NOT mortised and we recommend to use a wall-mounted floor guide.

LUBANN KNOTTY ALDER WOOD BARN DOOR Limited Warranty

Valley BLVD Trading and Investment Co.,LTD (Valley BLVD) warranties its products against manufacturing defects in materials or workmanship for a period of One (1) year from date of shipment from Valley BLVD according to hanging and maintenance/care requirements subject to specified exclusions as stated below. Valley BLVD will, at our option, repair, replace or refund the purchase price of the product to the original owner.

Handling and Care Upon receipt of door, carefully inspect product for any visible defects including warp PRIOR to installation. Notice must be given to dealer immediately. Unfinished/primed doors MUST be finished with a good quality water base stain/top coat applied 6 sides within 48 hours of installation. Prior to installation doors: • MUST NOT be stored prior in damp or direct sunlight conditions or where excessive heat is present • MUST NOT be stored or installed until all sheetrock is painted and dry. • SHOULD be stored in dry, moderate heat (50-70°) prior to installation.

Excluded from Warranty The following are not considered defects and therefore are not covered by warranty:

1. Cosmetic defects not reported upon receipt of product.
2. Damage, misuse or abuse caused by others beyond control of Valley BLVD.
3. Warp for doors 3'x7' or smaller not exceeding 1/4" in the plane of the door itself. Doors larger than 3'x7' are covered as such only if properly installed with 3-point locking hardware.
4. Natural variations in color, finish or texture of door.
5. Failures or defects not covered include broken glass, hardware not provided by Valley BLVD, improper installation, lack of maintenance or normal aging.
6. Panel shrinkage. Panels are free-floating and allowed to move as wood stabilizes according to climate conditions.

Maintenance Follow paint manufacturer's procedures when applying new top coat or wax polish. It is important to note that wood continues to be a living entity constantly adjusting to climate conditions. As your door ages over time, it may naturally shrink and swell slightly which may produce small hairline cracks. Proper maintenance will help minimize this condition and prolong the life of your door.