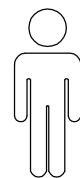
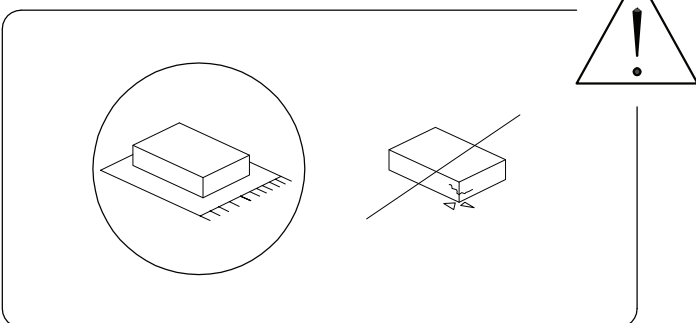
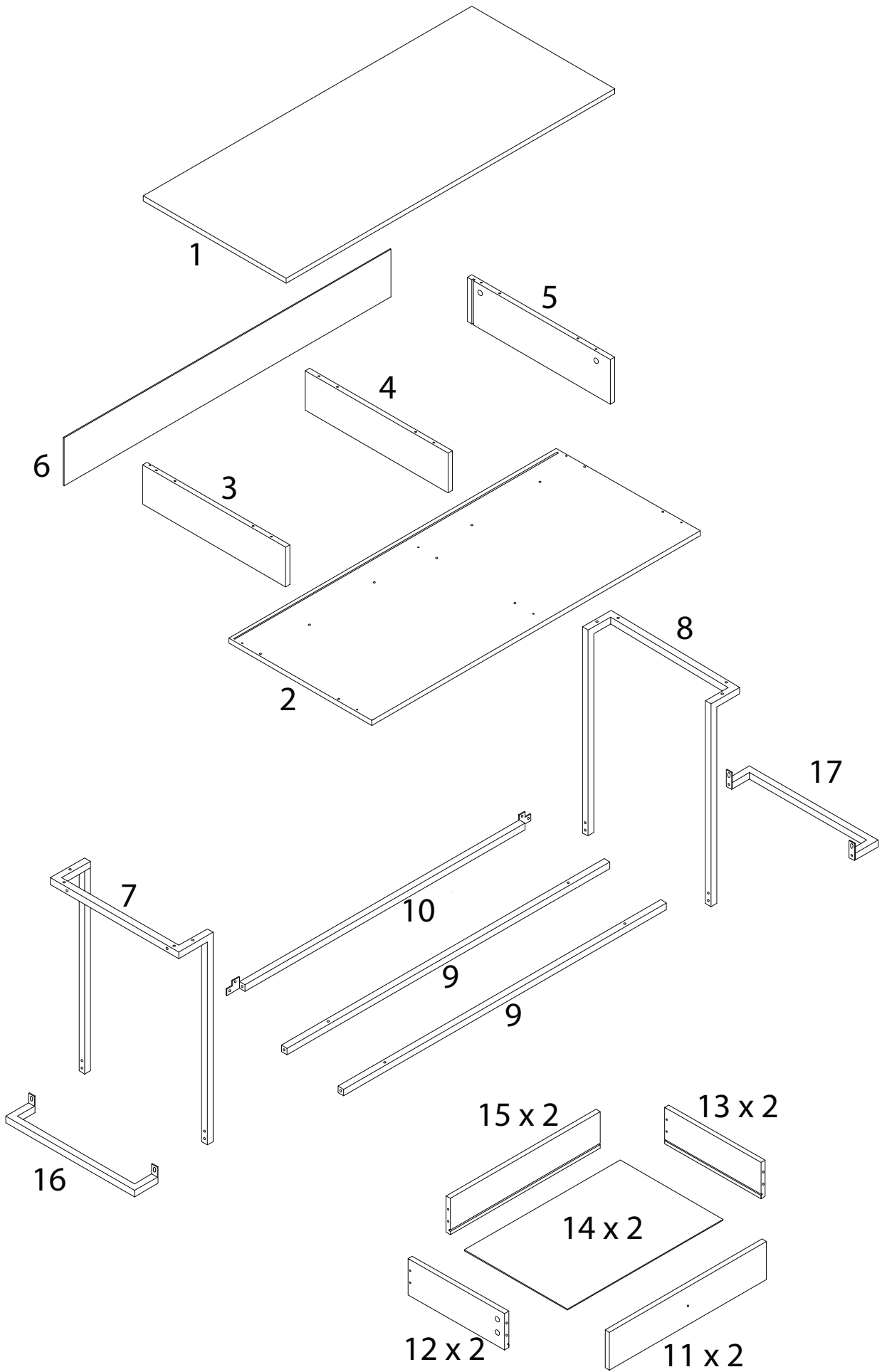
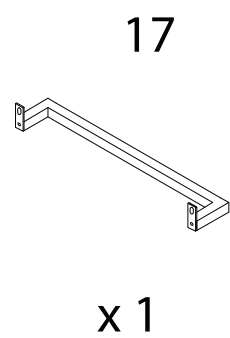
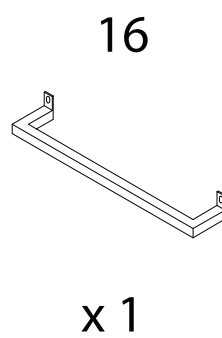
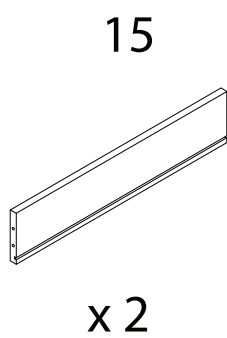
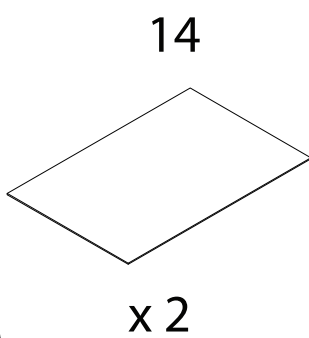
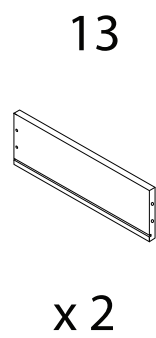
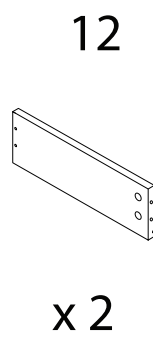
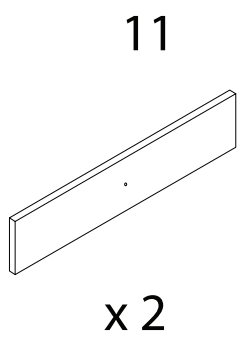
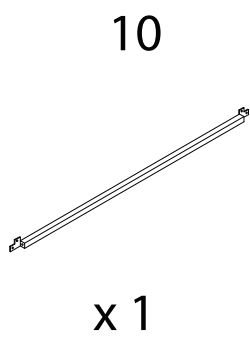
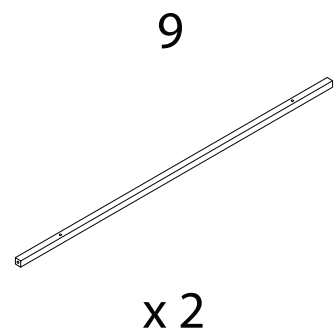
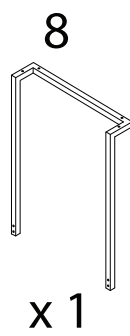
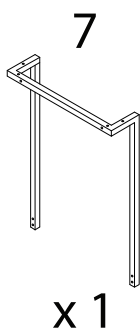
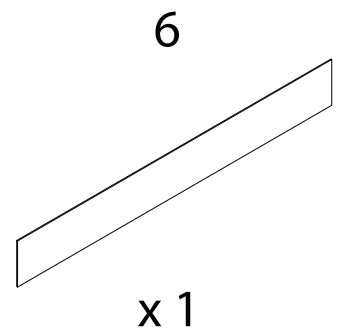
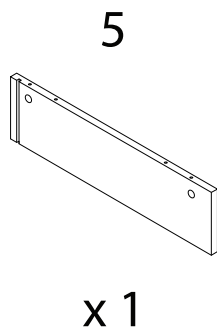
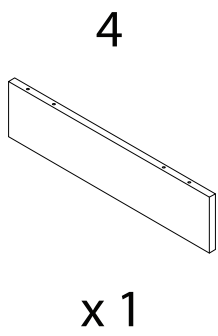
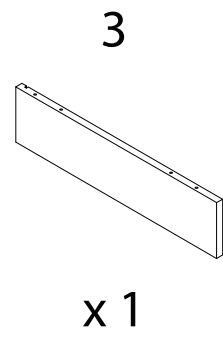
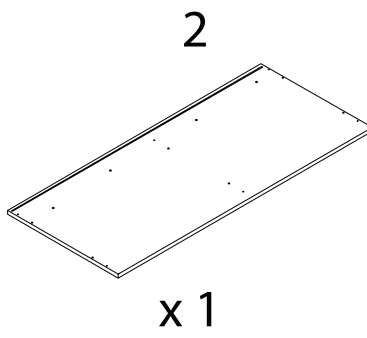
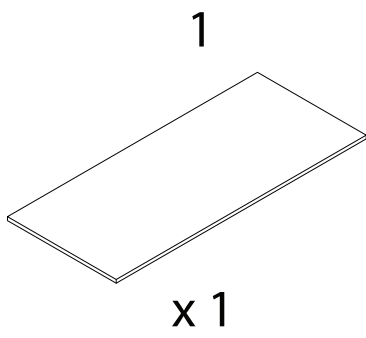


60'

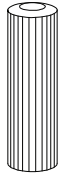


1





A



x12

B



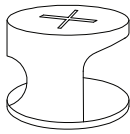
x16

C



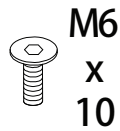
x14

D



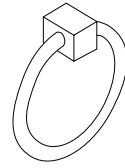
x14

E



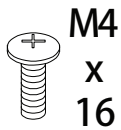
x8

F



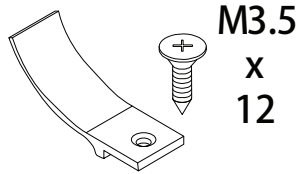
x2

G



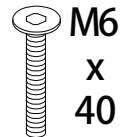
x2

H



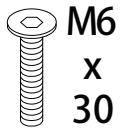
x2

I



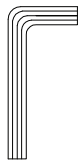
x6

J



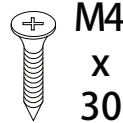
x16

K



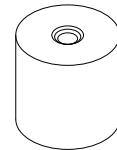
x1

L



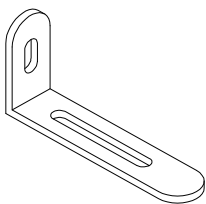
x4

M

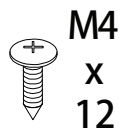


x4

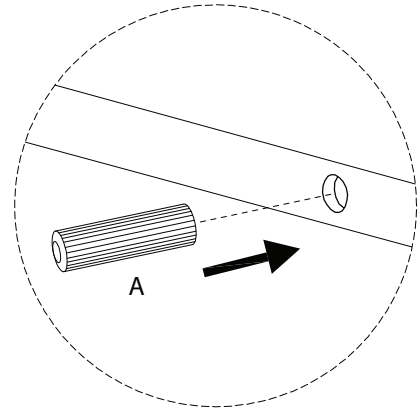
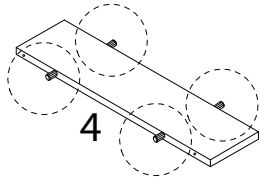
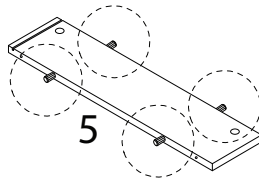
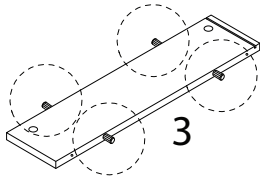
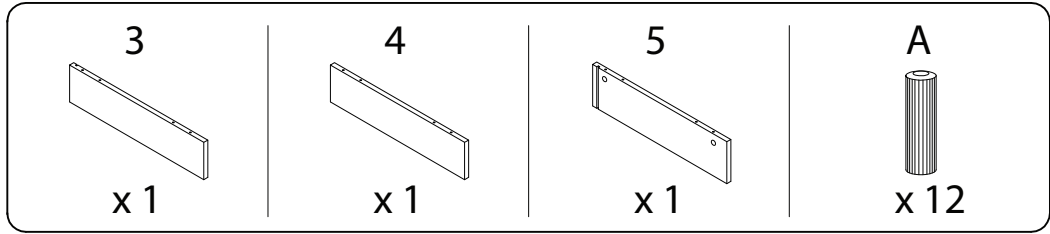
N



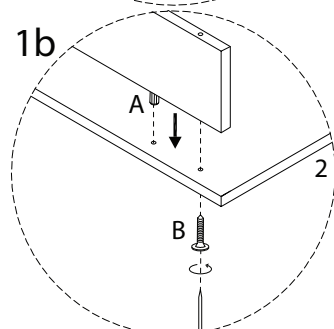
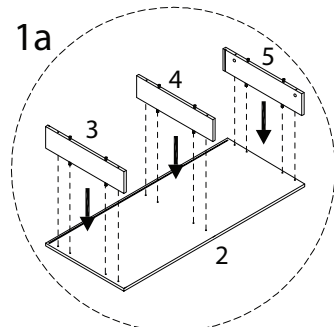
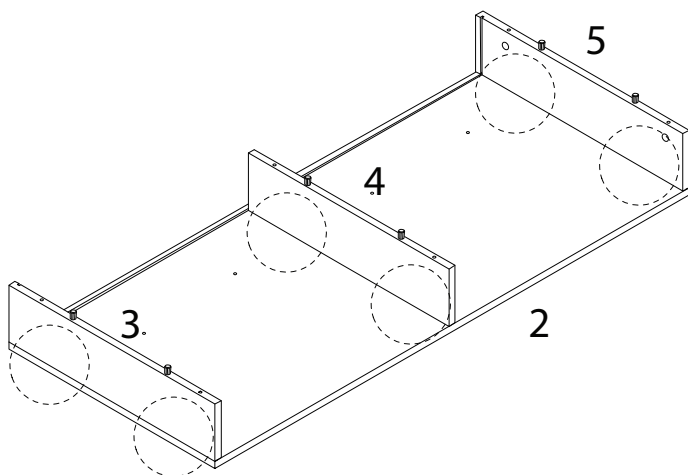
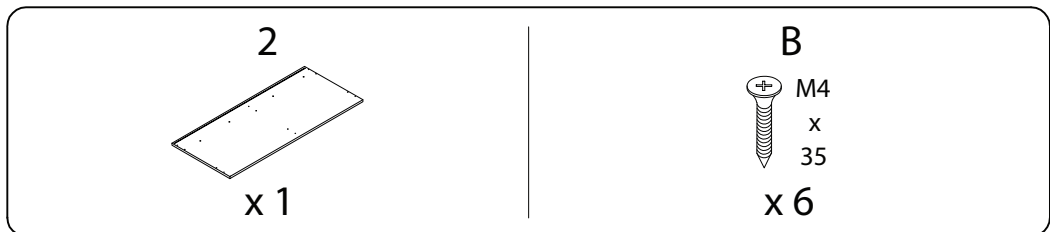
x2



1

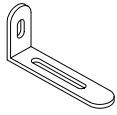


2



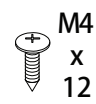
3

N

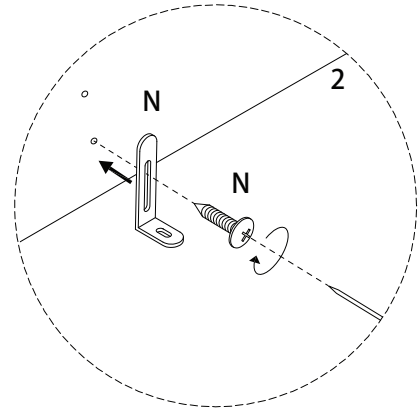
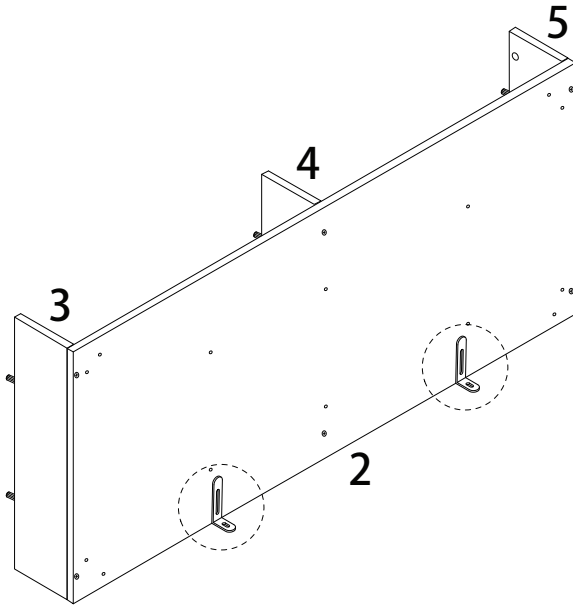


x2

N



x2



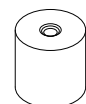
4

L

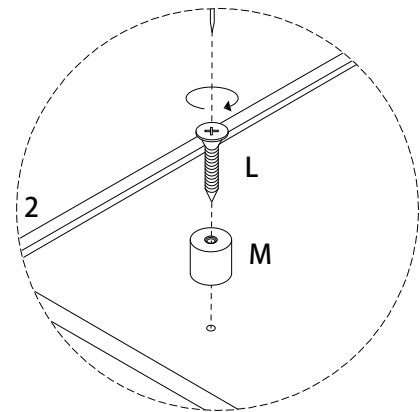
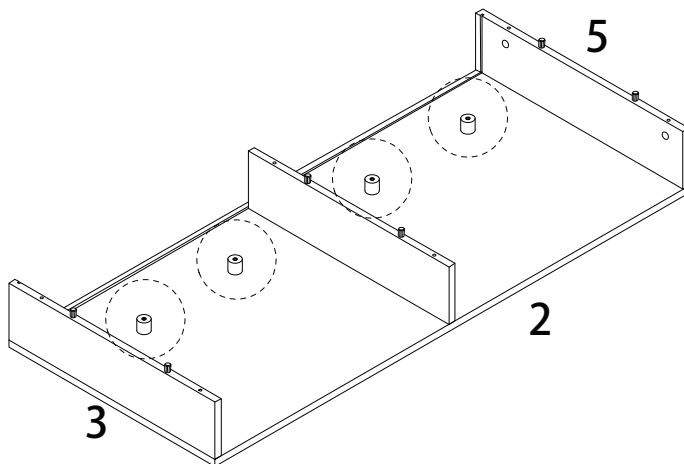


x4

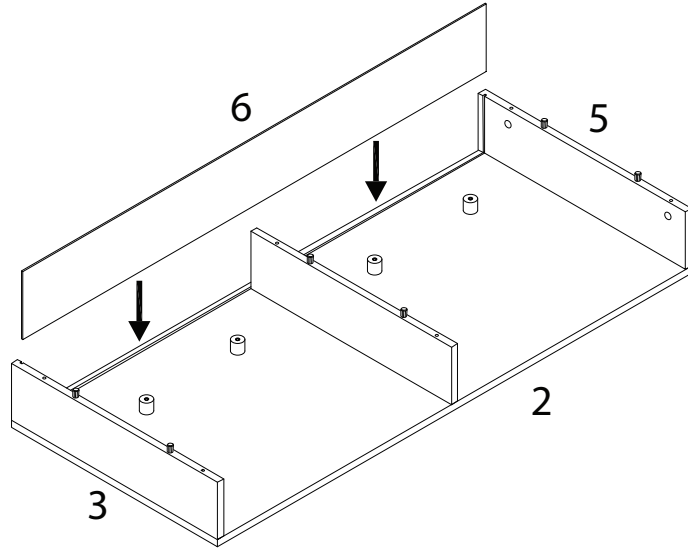
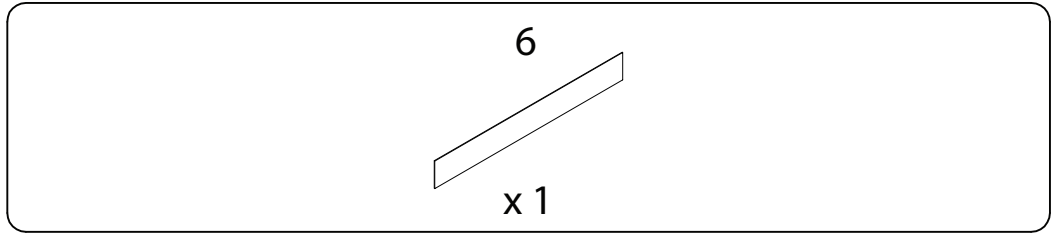
M



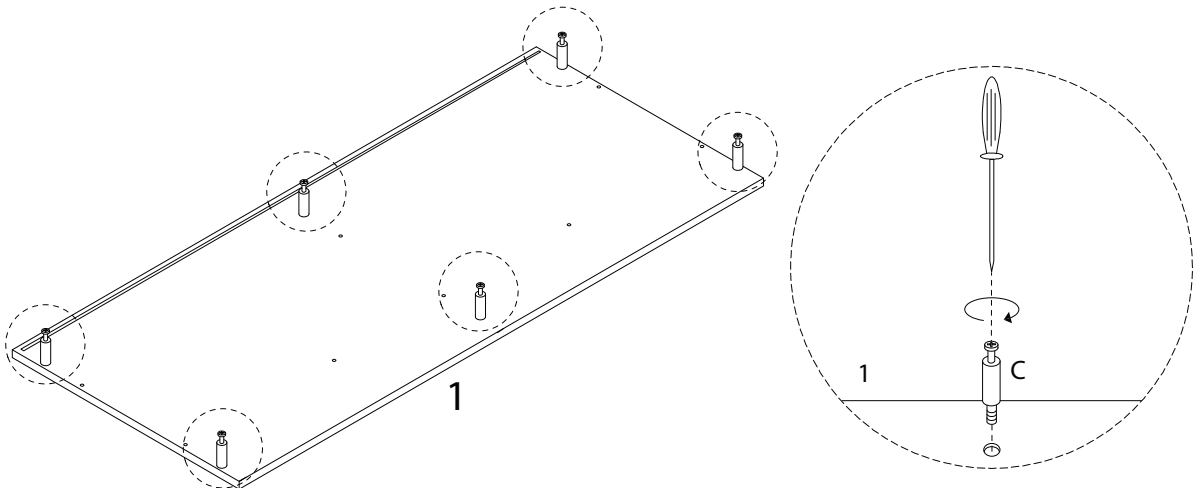
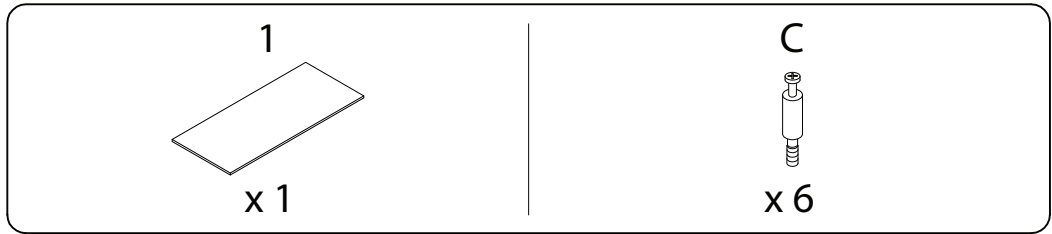
x4



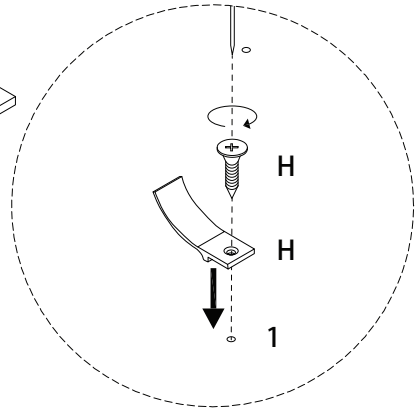
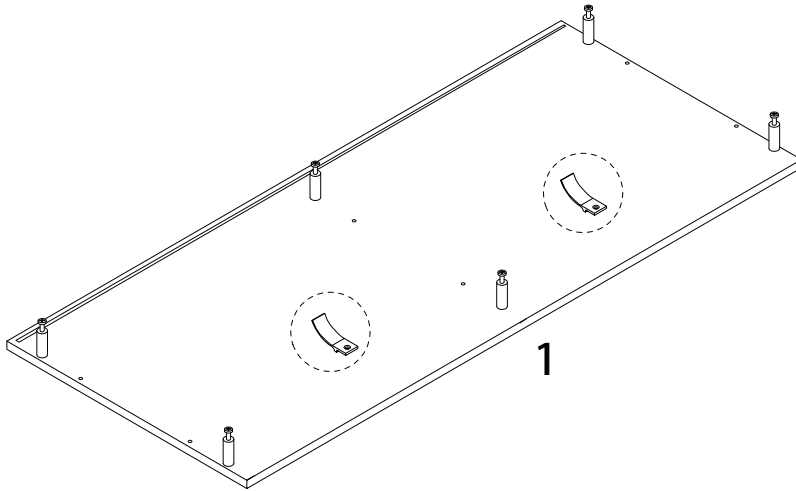
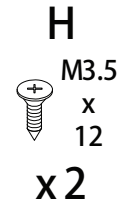
5



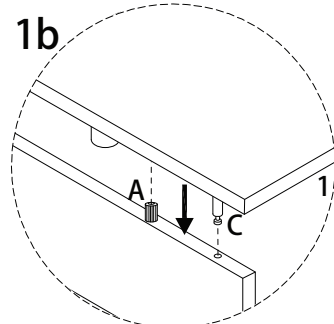
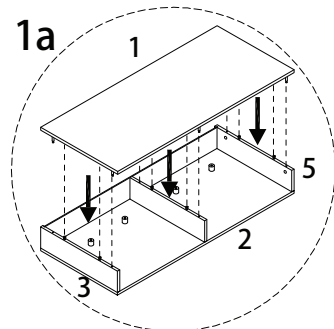
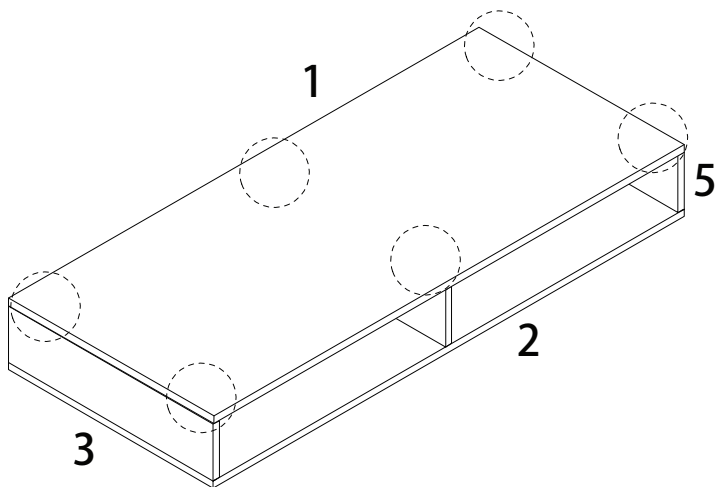
6



7



8

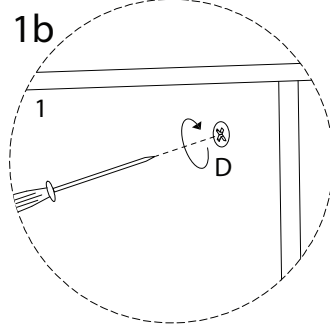
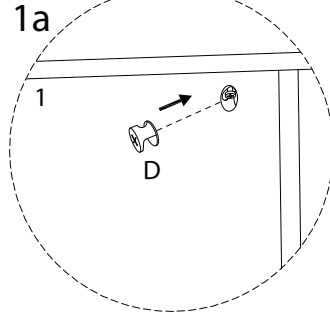
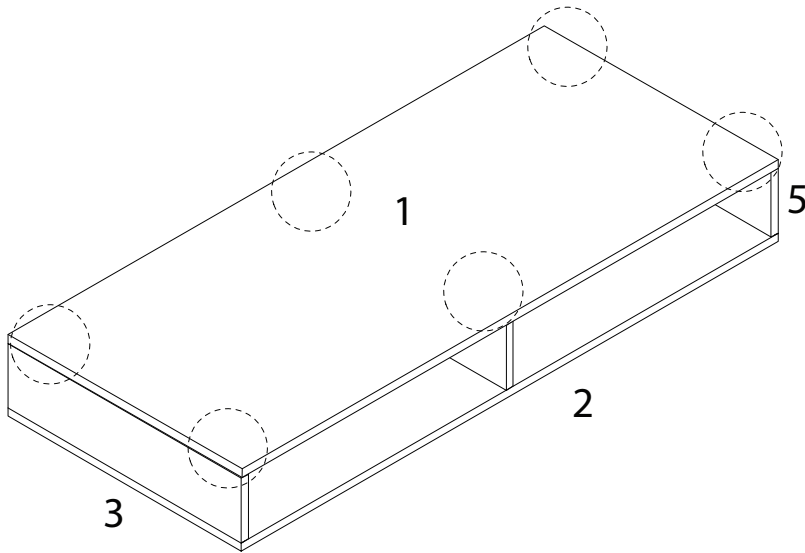


9

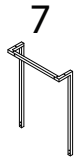
D



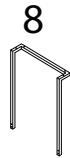
x6



10



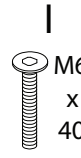
x1



x1



x2

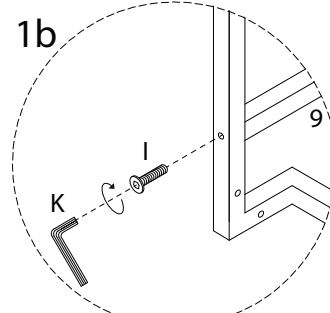
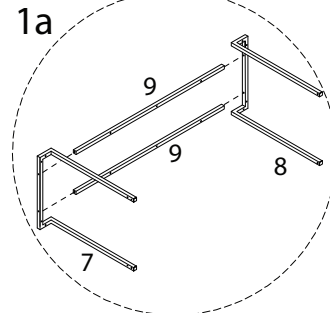
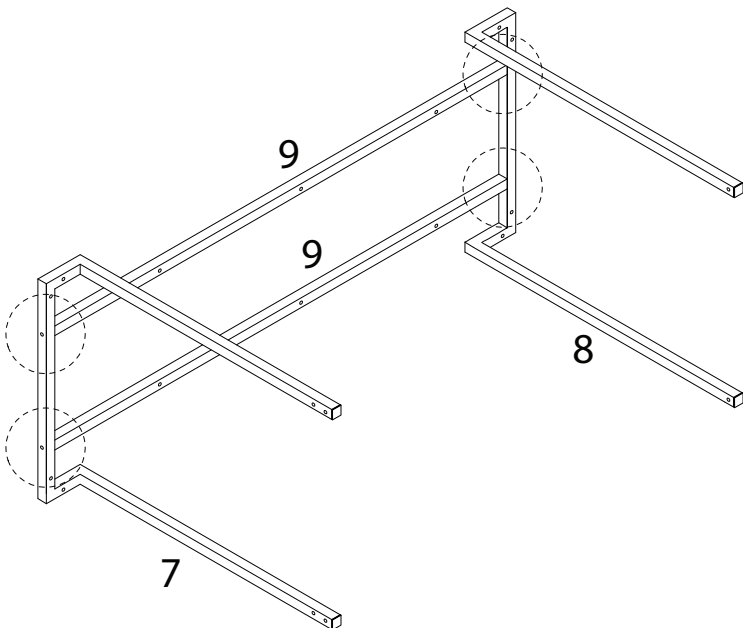


M6
x 40

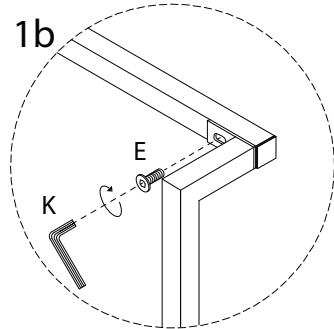
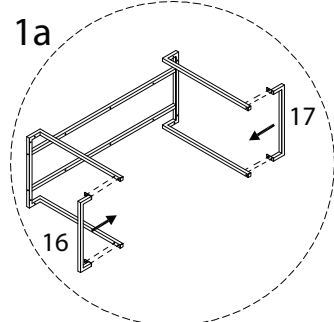
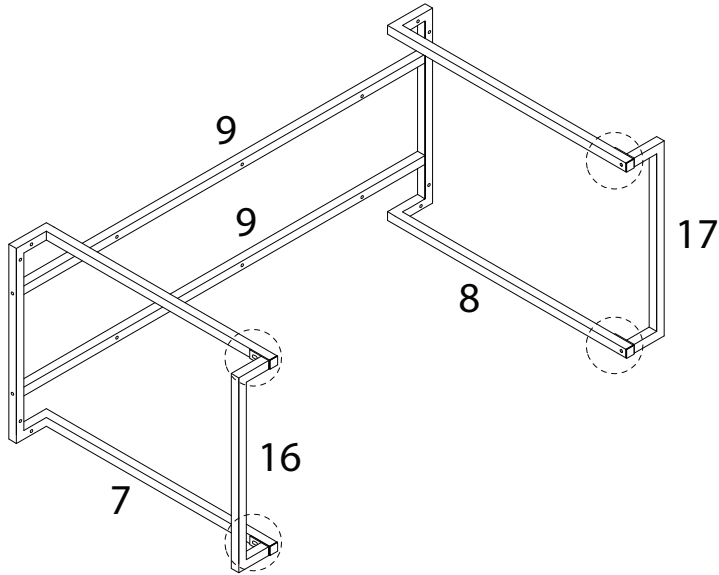
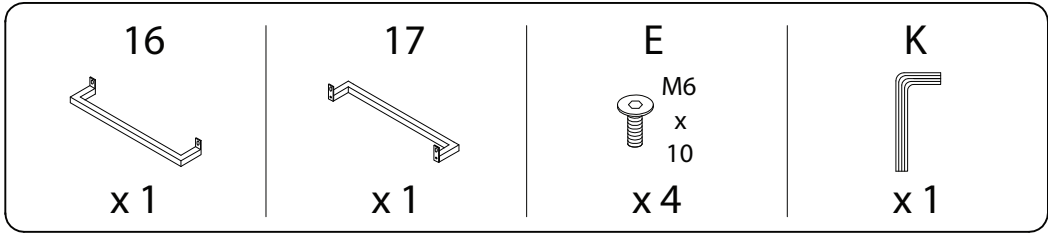
x4



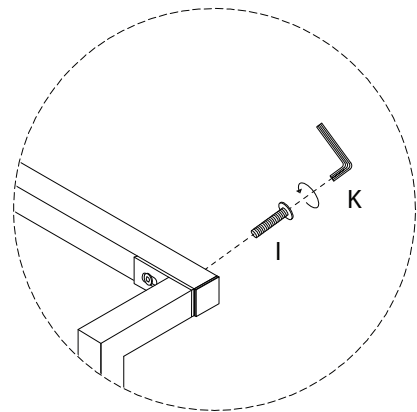
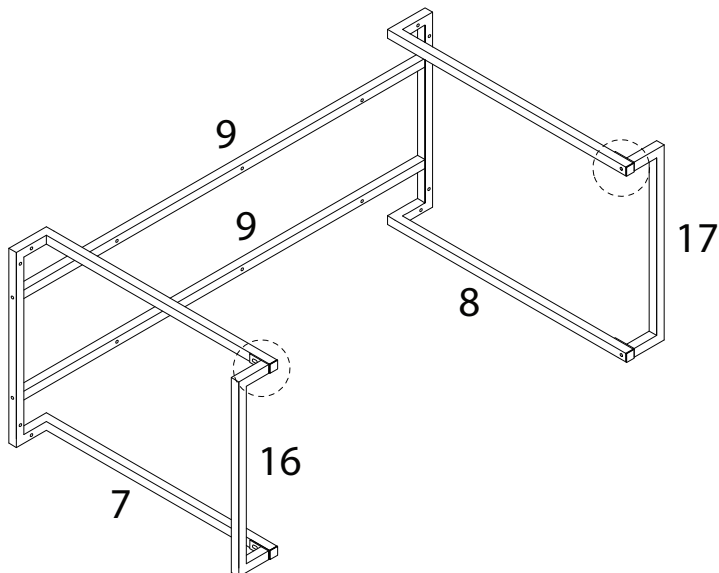
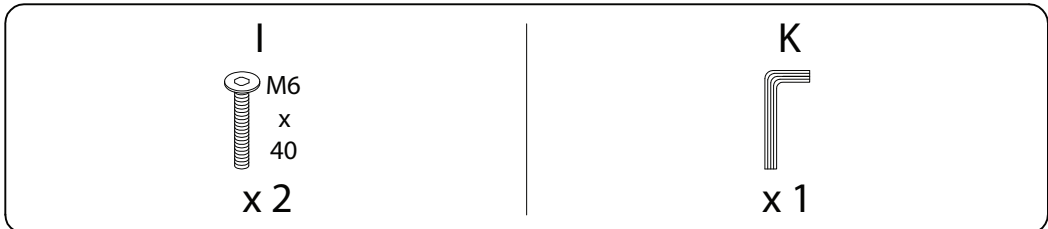
x1



11

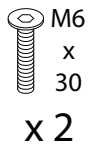


12

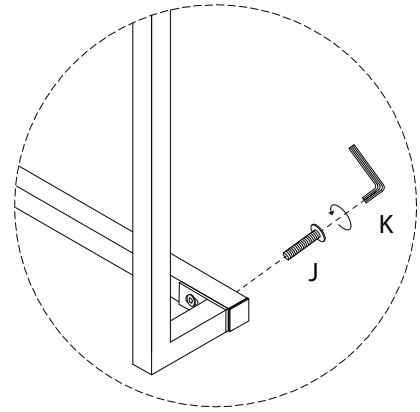
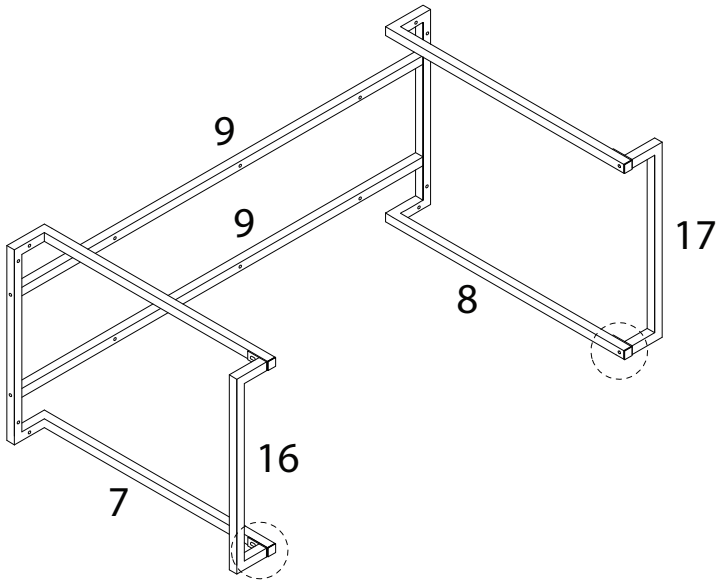
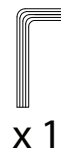


13

J

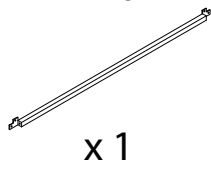


K

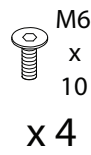


14

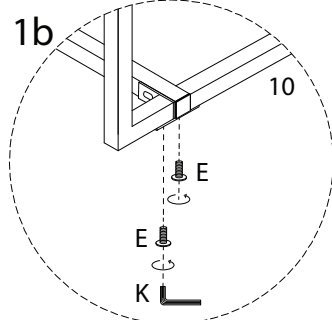
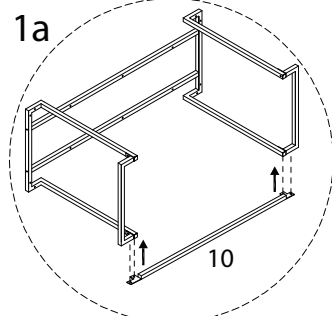
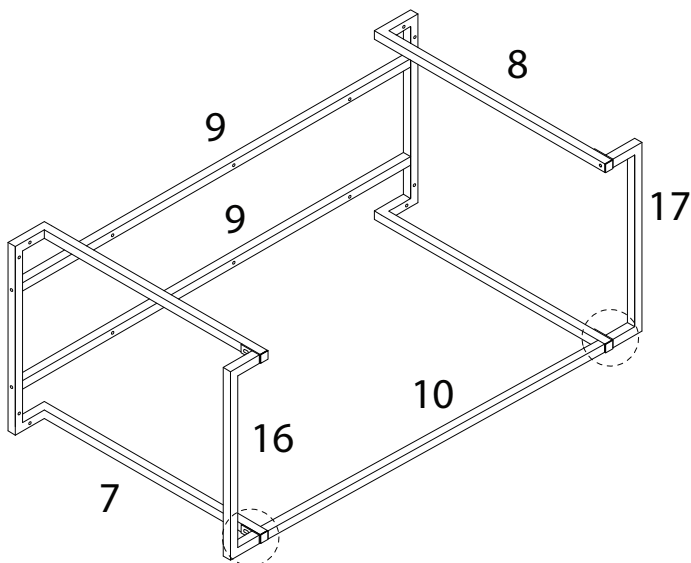
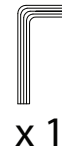
10



E

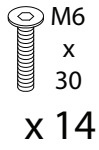


K

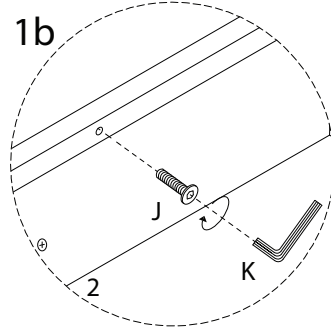
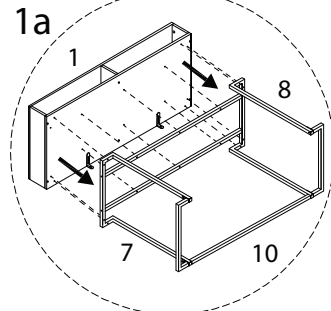
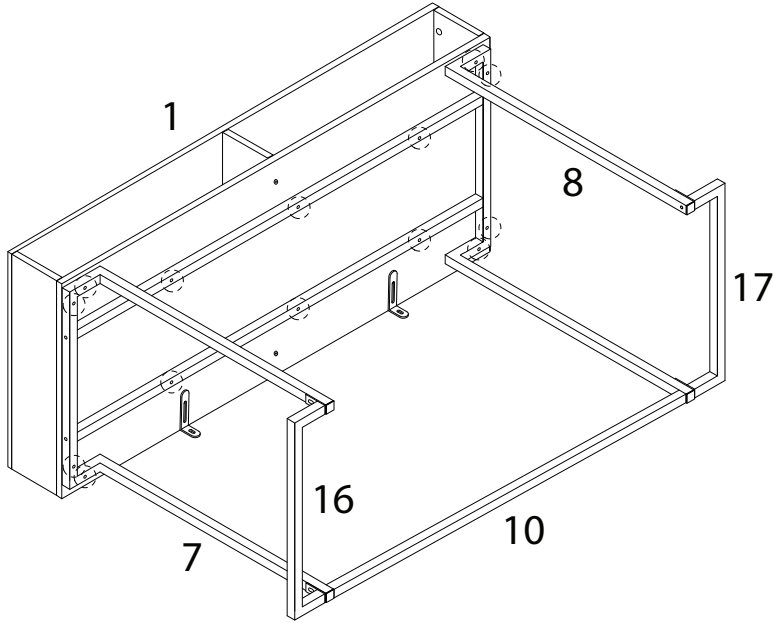


15

J

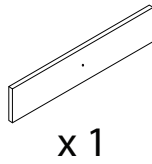


K

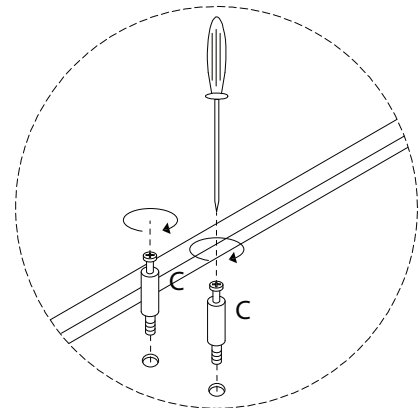
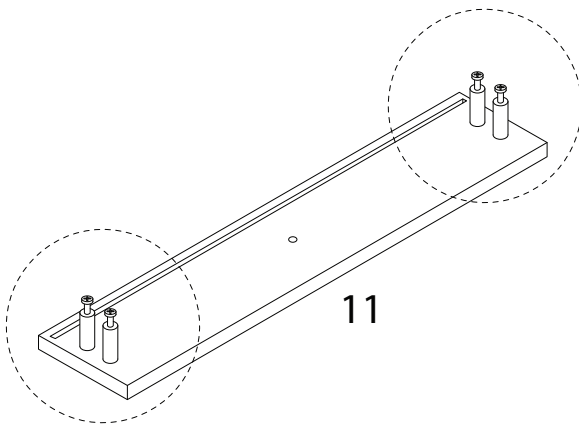
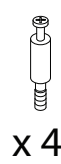


16 x 2

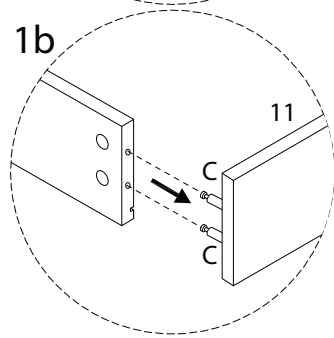
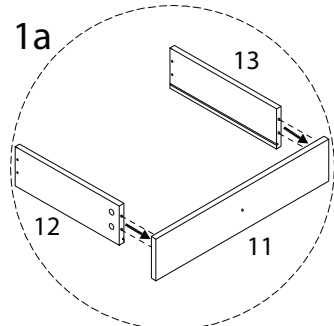
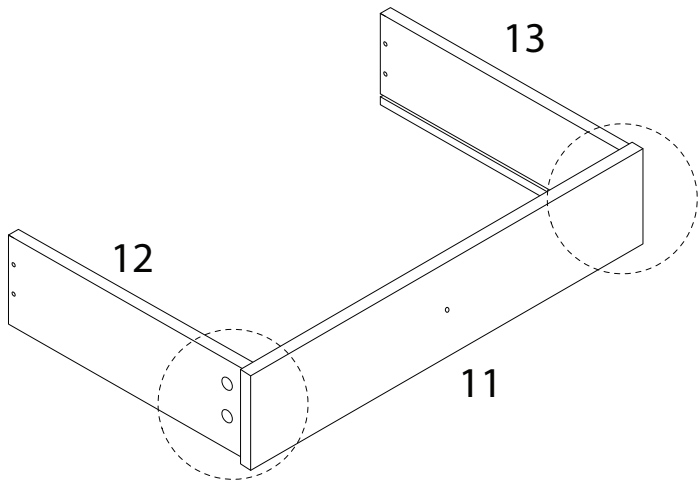
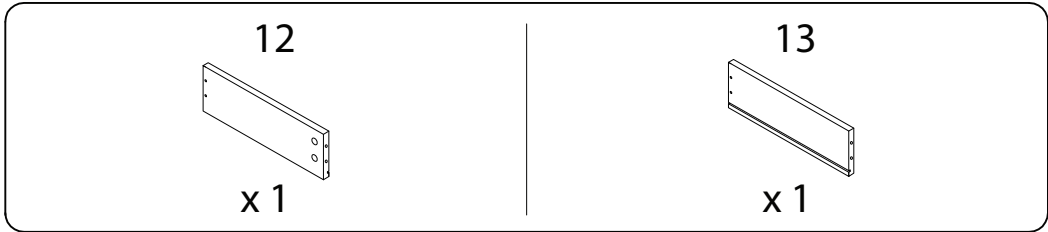
11



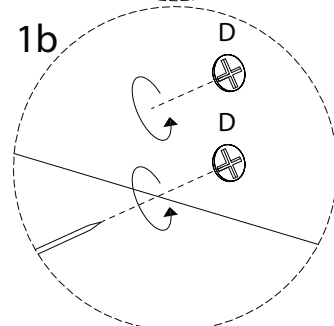
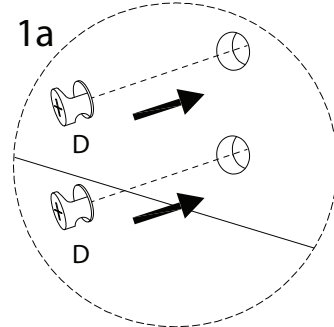
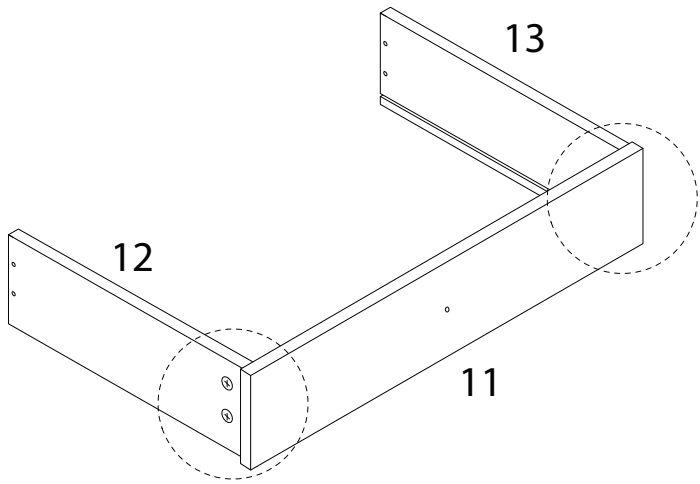
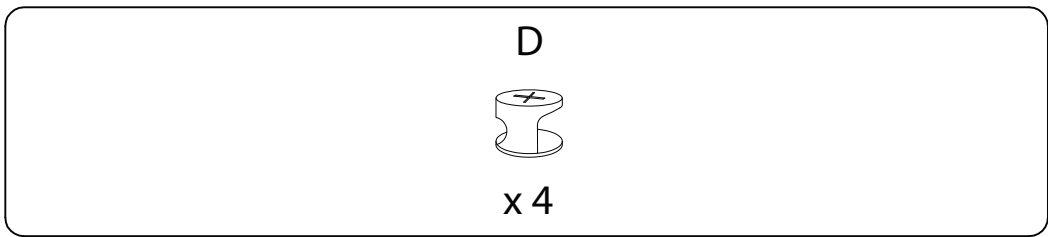
C



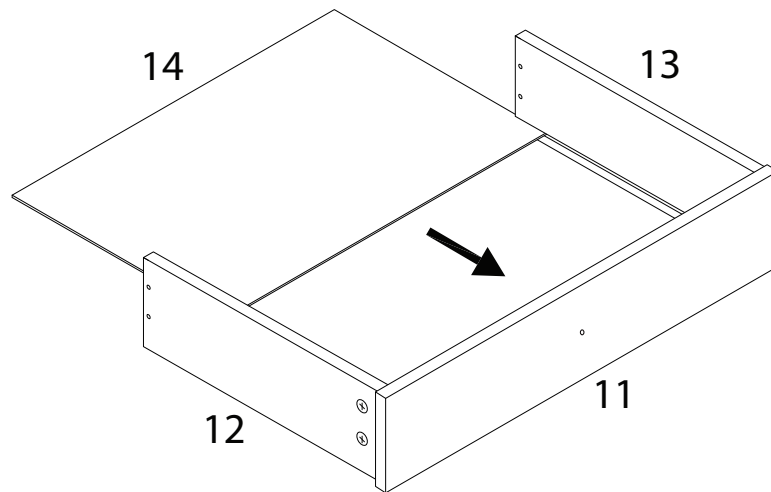
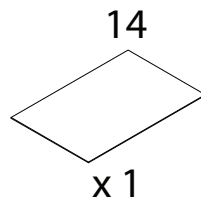
17 x 2



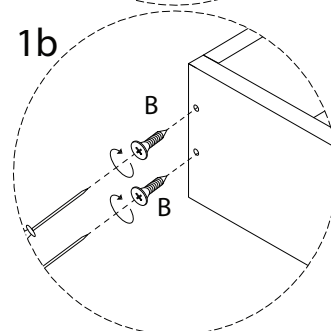
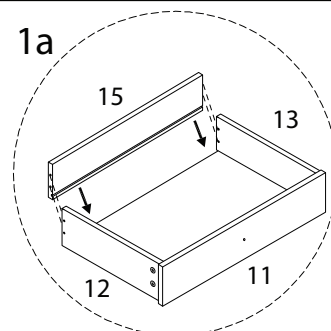
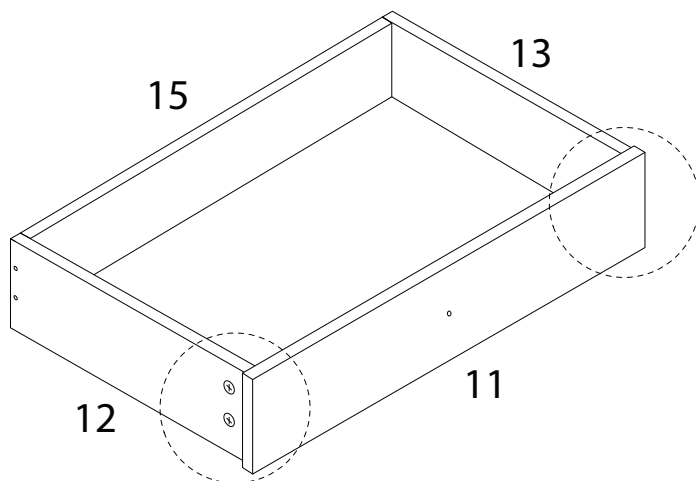
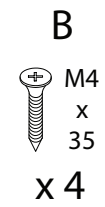
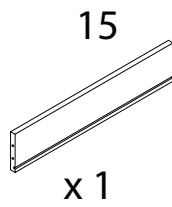
18 x 2



19 x 2



20 x 2



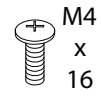
21 x 2

F

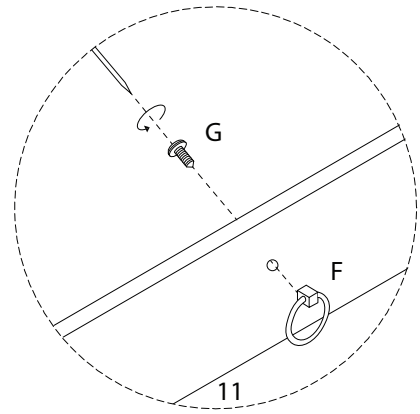
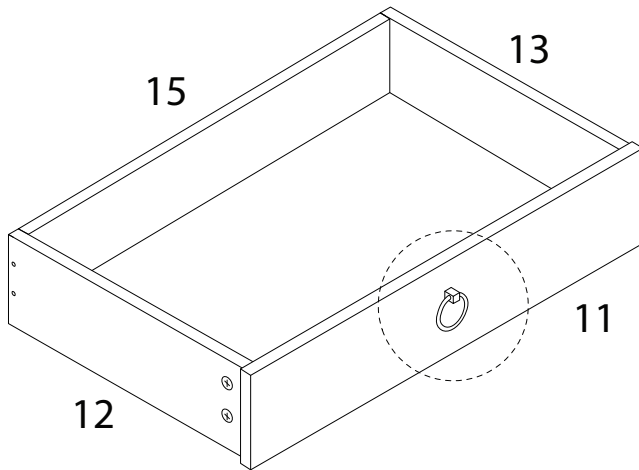


x 1

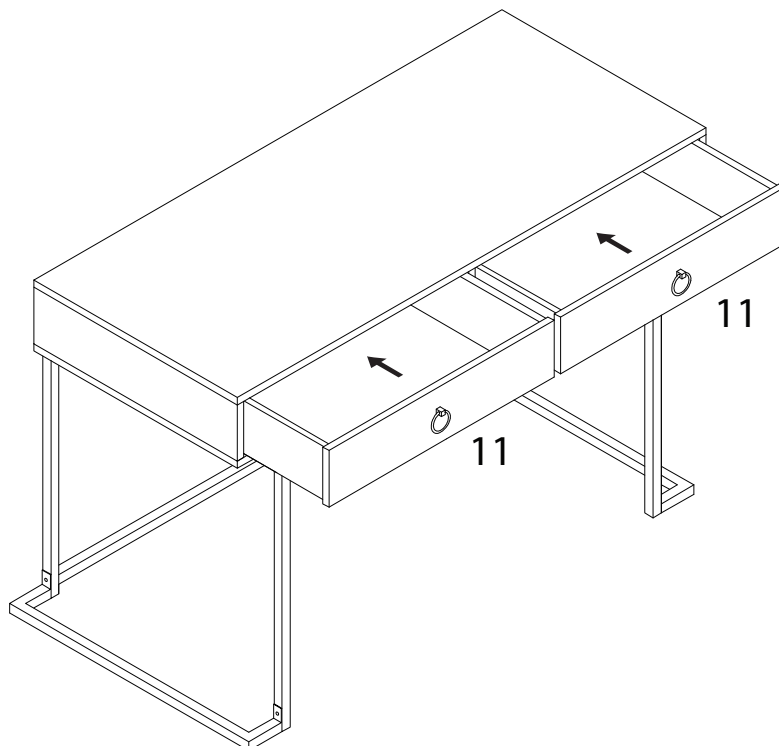
G



x 1

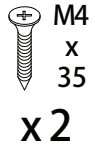


22



23

B



N

