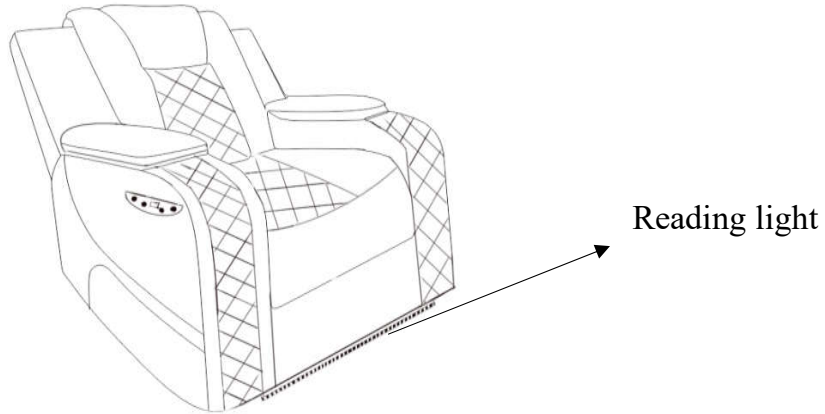






ASSEMBLY INSTRUCTIONS

CHAIR


Caution: Please read instructions thoroughly before unpacking assembly parts.
 Sharp, exposed staple tips can cause injury, therefore, for your protection, please remove any exposed staple used in packing .



PARTS LIST

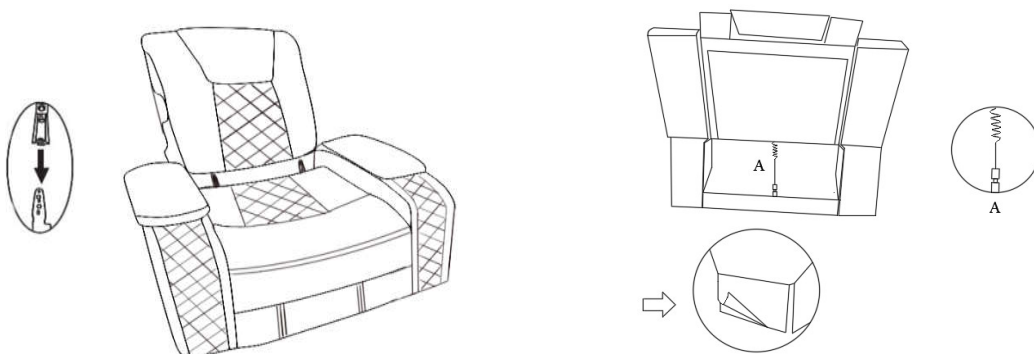
NO	SKETCH	QTY	DESCRIPTION
1		1PC	Right Wing Back
2		1PC	Left Wing Back
3		1PC	Seat Body
4		1PC	Backrest

HARDWARE LIST

NO	SKETCH	QTY	DESCRIPTION
1		1PC	Adaptor

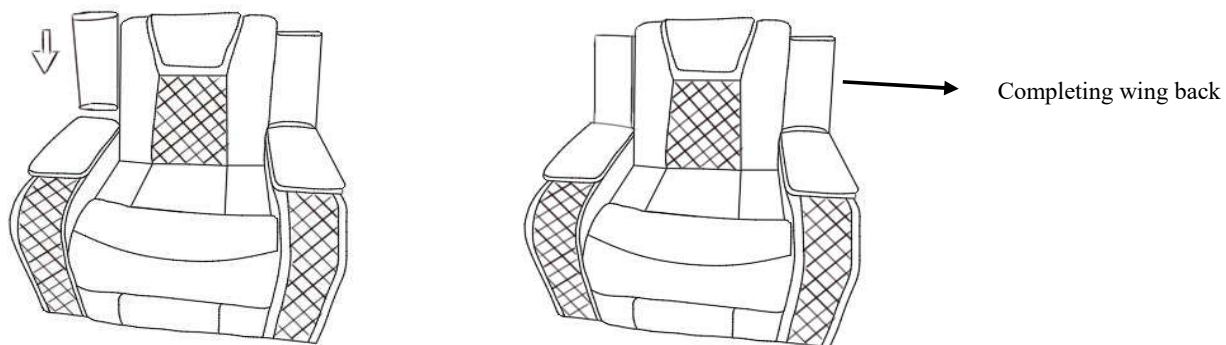
STEP 1#

Insert back rest to seat body then push to the end and make sure it is fixed in position securely. Then connect the wire at the back of the back rest onto the wire at the seat (Like A)



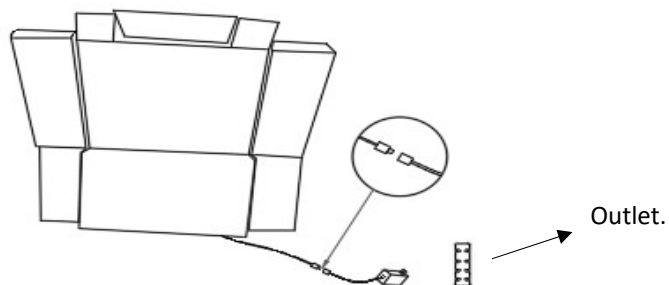
STEP 2#

Align the hardware on the back wings with the hardware on the side of the back. And push down until a clicking sound is heard.



STEP 3#

Stretch and pull down rear cover evenly before securing, velcro strip to seat base. Repeat if necessary for better fit.





- Disconnect the electrical plug from the wall outlet before cleaning, moving, servicing or when not in use for an extended period of time.
- Plug directly into a wall outlet. Do not use an extension cord or adaptor.
- Check the condition of the power transformers, electrical cords, plugs and connectors monthly. Keep the power adaptor and electrical cords away from heat sources. Never operate the unit with a damaged power adaptor, electrical cord, plug or connector.
- Before moving the product, please disconnect the electrical plug from the wall outlet and secure the mechanism to prevent unexpected opening or movement. Never move the product by the mechanism, legrest, handle, or reclining back. Do not attempt to disassemble or service the adaptor or motor. No serviceable parts are inside.
- Do not allow electrical cord to be pinched between moving parts or between the frame and the floor.
- Do not place cord under carpet or in location where it could become worn.
- Unplug the power cord immediately if you detect strange odors or fumes coming from the chair.

PLEASE KEEP ASSEMBLY INSTRUCTION FOR FUTURE REFERENCE