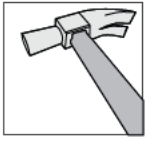
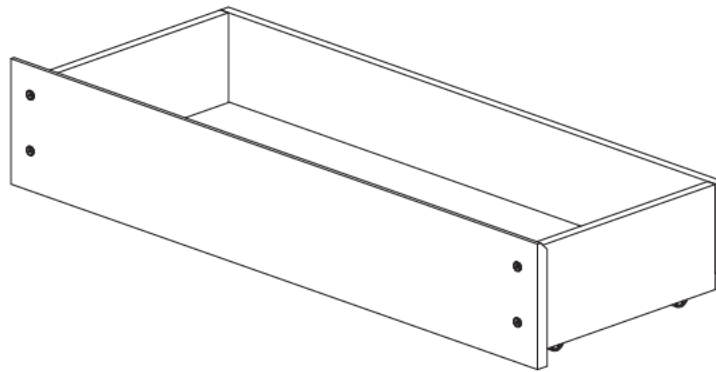


ASSEMBLY INSTRUCTIONS

2 DRAWER



Hammer

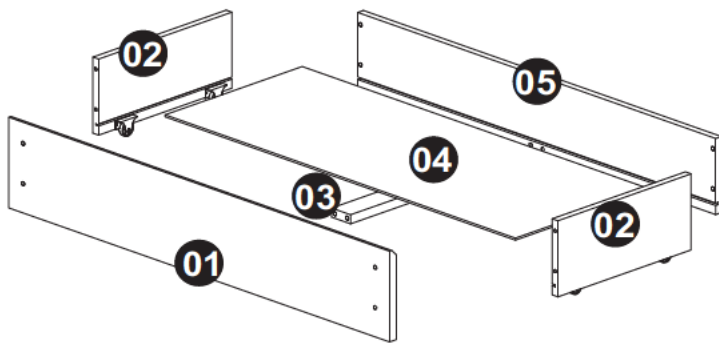


Part List - Pair

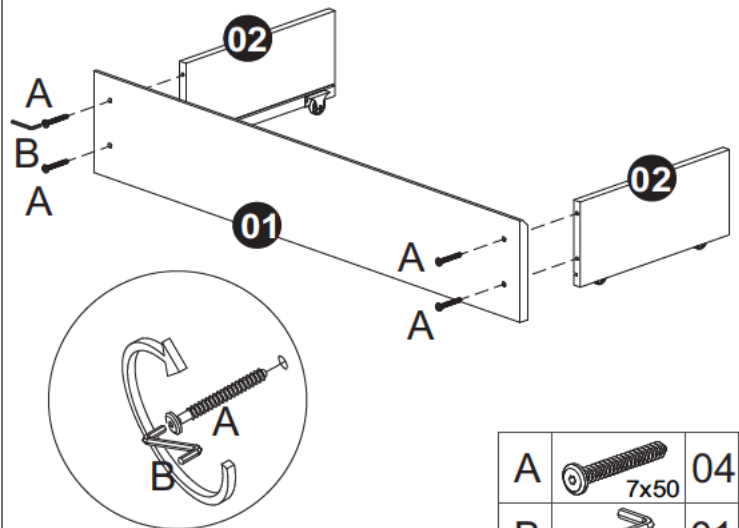
ITEM	DESCRIPTION	QTY
1	DRAWER FRONT	02
2	DRAWER SIDE	04
3	CROSSBEAM	02
4	DRAWER BASE	02
5	DRAWER BACK	02

Identify the hardware using the illustrations below.

A		16
B		01
C		08

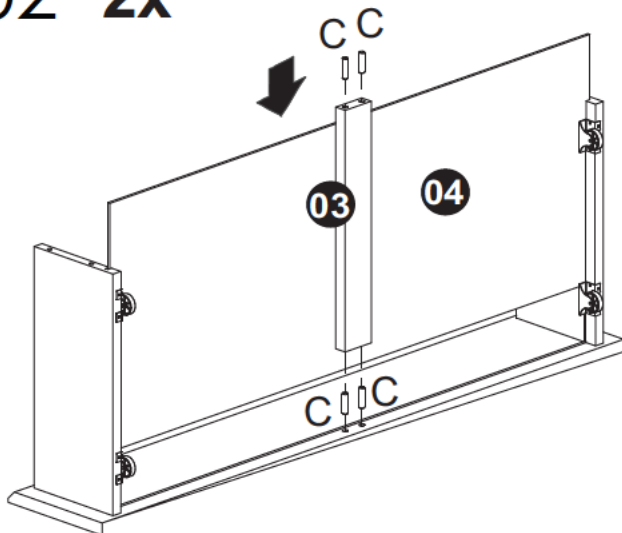


01 2x

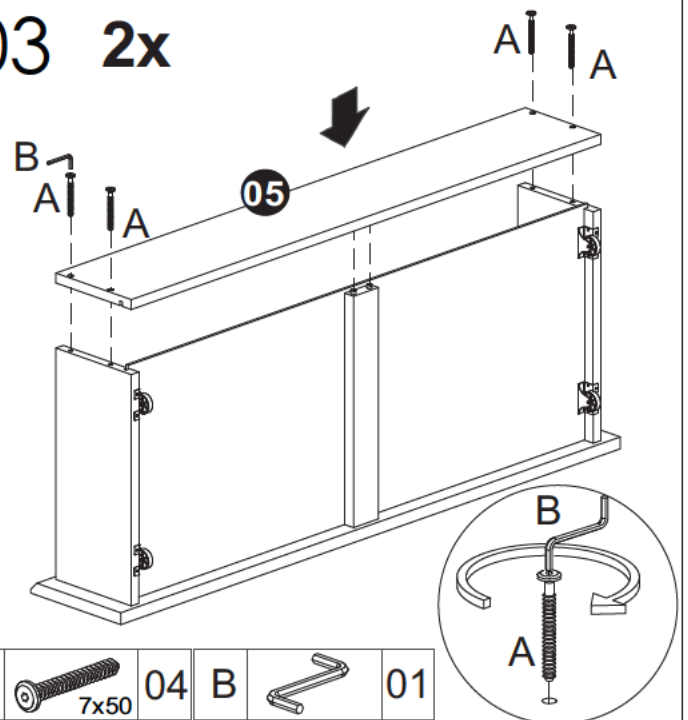


A		04
B		01

02 2x



03 2x



C		04	A		04	B		01
---	--	----	---	--	----	---	--	----