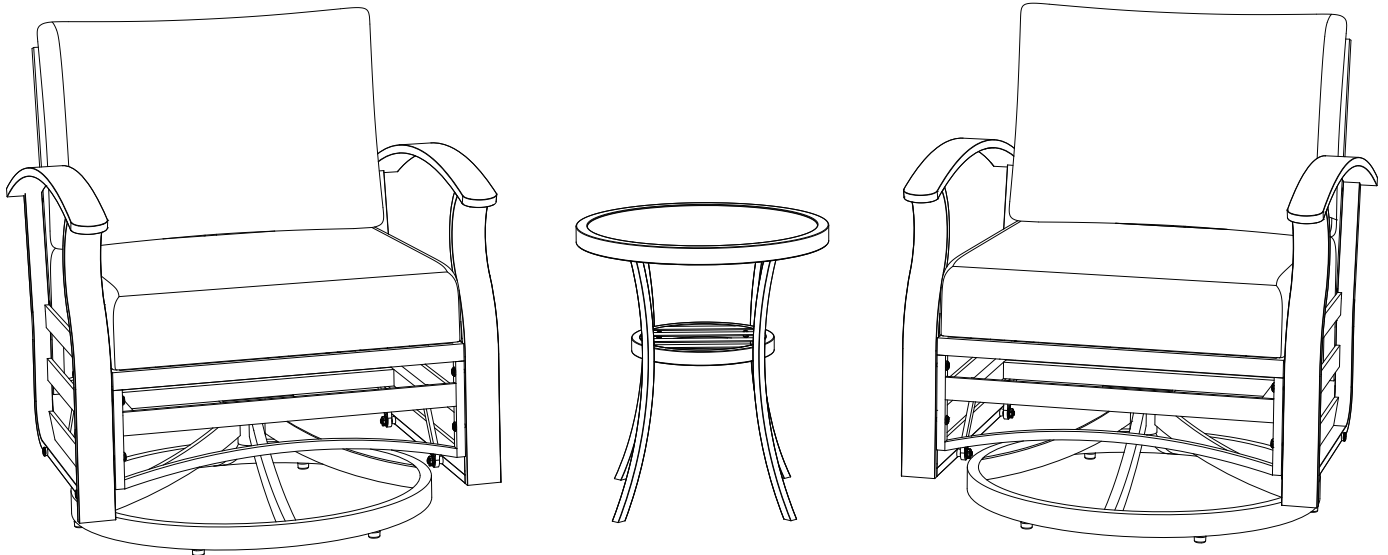


INSTRUCTION

Aluminum Outdoor Swivel Glide Sofa 3-piece Set

If you have any questions about the outdoor swivel glide sofa, please feel free to contact us.



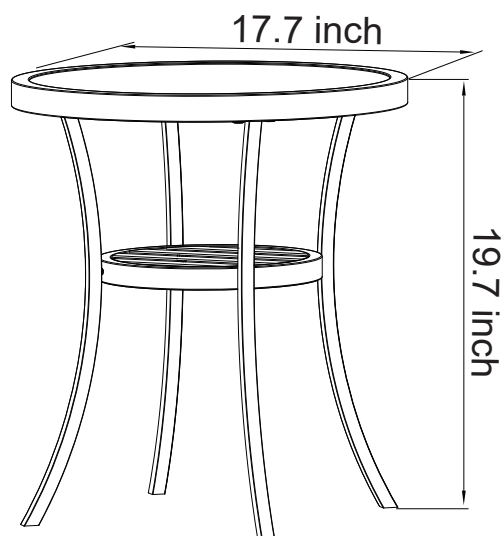
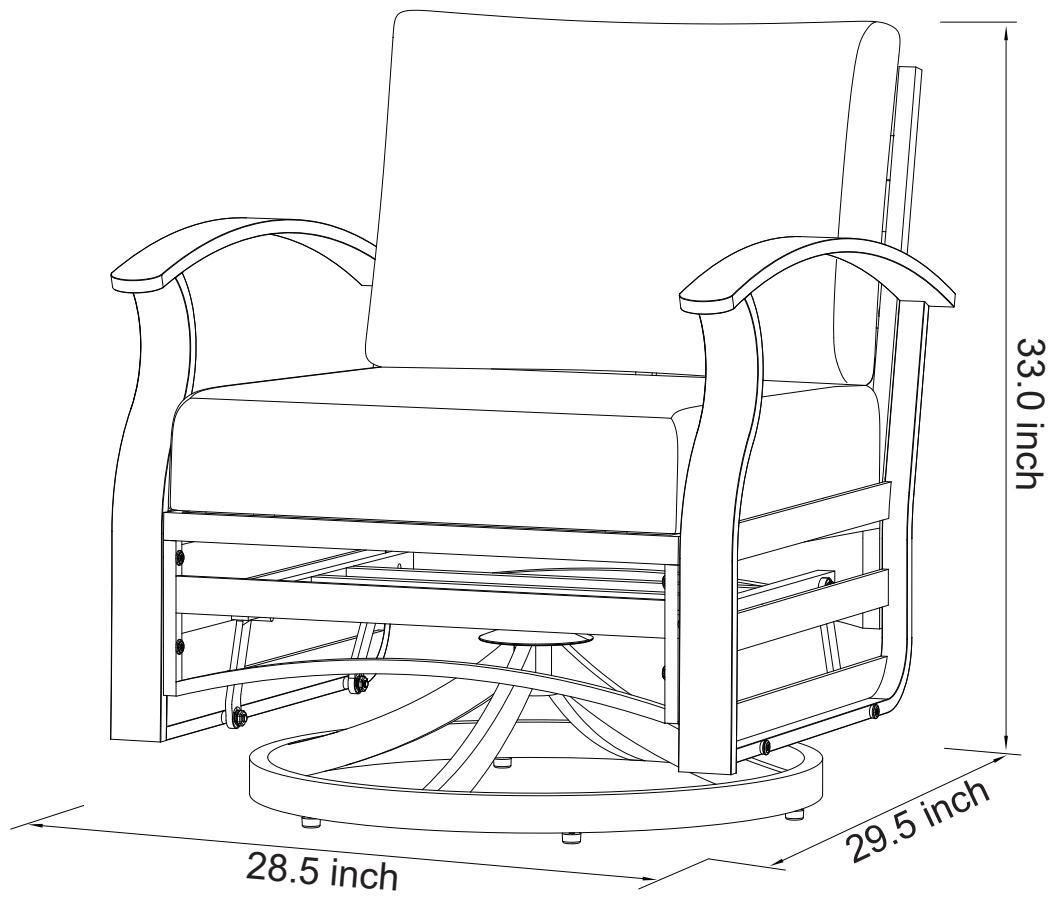
03AluDASF23-SGS-Brown

IMPORTANT

PLEASE READ BEFORE YOU COMMENCE ASSEMBLY

Follow the guidelines in this user guide to ensure correct
assembly and care for this product.

SPECIFICATIONS



Catalog

Specifications.....	01
Notice	03
Part List	04
Part List And Extra	05
How to Assemble Swivel Glide Sofa.....	07
How to Assemble The Coffee Table	11
How to Assemble The Seat Cushions And Pillows	14
Cushion Manual	16



⚠ WARNING: This chair is not a toy. The proper use of the chair is for one-person seating only. Further, the chair is not to be used for standing purposes and it will not function as a stool or step-ladder. Besides, please use this chair on even surfaces only. Chair tested for use at a weight of 250lb. Improper use of this product or failure to use as directed may result in injury.

IMPORTANT:

Please read all the instructions and warnings before assembling. In order to make the whole product adjust to the best, please install all the screws on the product and tighten all the screws after adjusting the product which can stand on the floor even.

WARNING:

- Please keep all children and pets away from the assembly area. In addition, children and pets should be supervised when they are in the area of product construction.
 - Please make sure to keep the assembly area at least 6 feet from any obstruction such as a fence, garage, house, overhanging branches, laundry line or electrical wires.
 - Some parts may contain sharp edges. Therefore, when assembling and using this product, basic safety precautions should always be followed to reduce the risk of personal injury and damage to the product. Please read all instructions before assembly and use.
 - Please check all bolts for tightness before use. **IMPORTANT**-check and tighten bolts often to keep them secure!
 - The chair is not to be used for standing purposes and will not function as a stool or stepladder.
- Again, this chair is used on even surfaces only.
- The chair used at the weight of 250lb. Improper use of this product or failure to use as directed may result in injury.

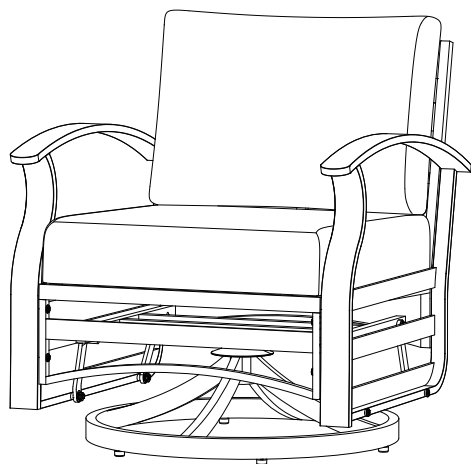
CARE & MAINTENANCE

STAINS

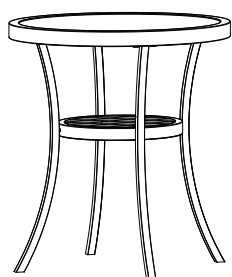
Please immediately wipe up the spill using a white damp cloth. Repeat process if necessary until stain is gone.

Please do not use strong detergent or abrasive cleaners. Since nuts and bolts can loosen over time, so please check nuts and bolts on all chairs and tables, retighten if necessary.

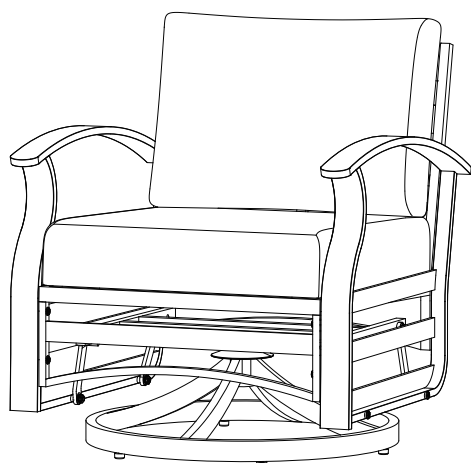
Packing List



Swivel Glide Sofa Set-1



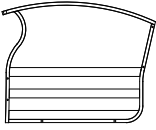
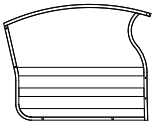
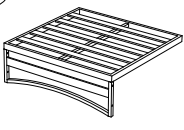
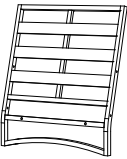
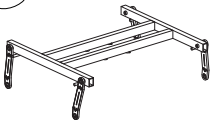
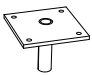
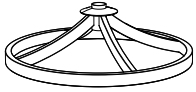
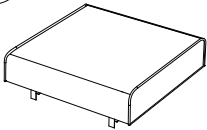
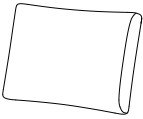
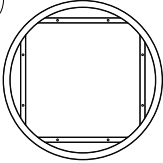
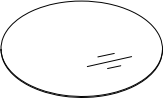
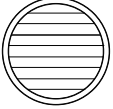


Coffee table



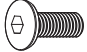
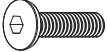
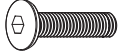

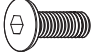



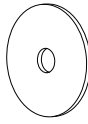
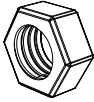
Swivel Glide Sofa Set-2

PART LIST

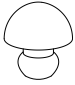
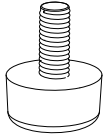

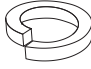
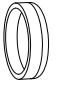
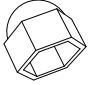
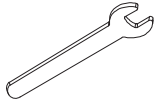

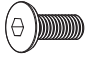
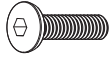
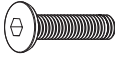
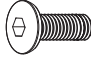
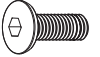



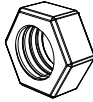
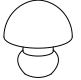
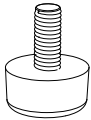
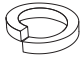



Parts List

<p>A</p>  <p>Left Armrest</p>	<p>B</p>  <p>Right Armrest</p>	<p>C</p>  <p>Seat Bottom</p>	<p>D</p>  <p>Backrest</p>	<p>E</p>  <p>Connection Frame</p>
2 PCS	2 PCS	2 PCS	2 PCS	2 PCS
<p>F</p>  <p>Base connector</p>	<p>G</p>  <p>Swivel Chair Base</p>	<p>H1</p>  <p>Cushions</p>	<p>H2</p>  <p>Pillows</p>	<p>I</p>  <p>Coffee Table Top</p>
2 PCS	2 PCS	2 PCS	2 PCS	1 PC
<p>J</p>  <p>Coffee Table Glass</p>	<p>K</p>  <p>Coffee Table Platform</p>	<p>L</p>  <p>Coffee Table Legs</p>	<p>M</p>  <p>Swing Arm</p>	
1 PC	1 PC	4 PCS	—	

Screw Package List

<p>N1</p>  <p>M6x20</p>	<p>N2</p>  <p>M6x25</p>	<p>N3</p>  <p>M6x30</p>	<p>N4</p>  <p>M6x35</p>	<p>O1</p>  <p>M8x25</p>
8 PCS	4 PCS	14 PCS	8 PCS	8 PCS
<p>O2</p>  <p>M8x60</p>	<p>P1</p>  <p>M6 Metal Gasket</p>	<p>P2</p>  <p>M8 Metal Gasket</p>	<p>P3</p>  <p>Large Gasket</p>	<p>Q</p>  <p>M8</p>
8 PCS	32 PCS	8 PCS	2 PCS	8 PCS

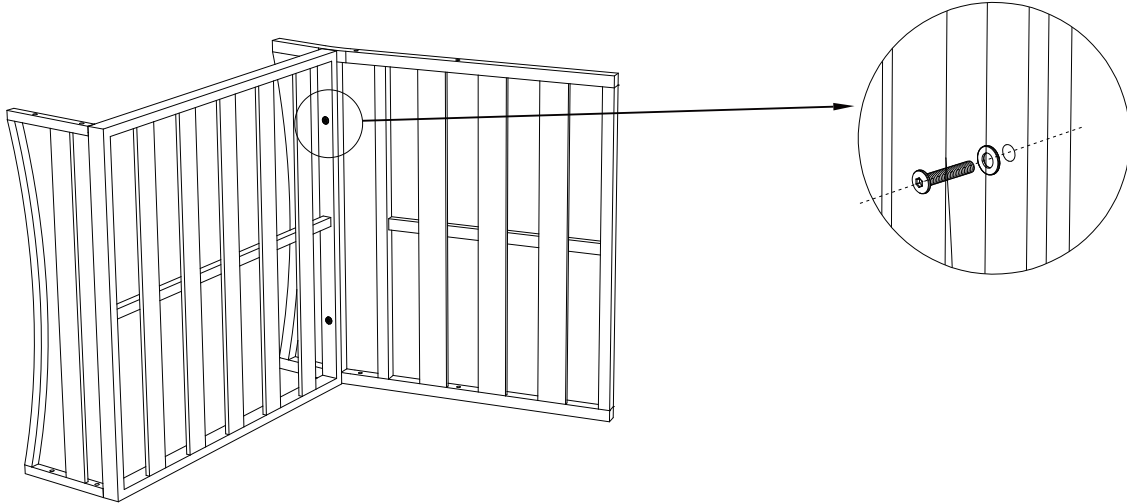
PART LIST

Screw Package List				
<p>(R)</p>  <p>Glass Pad</p> <p>—</p>	<p>(S)</p>  <p>Footbed</p> <p>—</p>	<p>(T1)</p>  <p>M6 Ring Gasket</p> <p>2 PCS</p>	<p>(T2)</p>  <p>M8 Ring Gasket</p> <p>24 PCS</p>	<p>(U1)</p>  <p>Screw Caps</p> <p>50 PCS</p>
<p>(U2)</p>  <p>Nut Caps</p> <p>8 PCS</p>	<p>(V)</p>  <p>M8 Open-end wrench</p> <p>1 PC</p>	<p>(W)</p>  <p>Universal wrench</p> <p>1 PC</p>		
Extra				
<p>(N1)</p>  <p>M6x20</p> <p>2 PCS</p>	<p>(N2)</p>  <p>M6x25</p> <p>1 PC</p>	<p>(N3)</p>  <p>M6x30</p> <p>2 PCS</p>	<p>(N4)</p>  <p>M6x35</p> <p>1 PC</p>	<p>(O1)</p>  <p>M8x25</p> <p>2 PCS</p>
<p>(O2)</p>  <p>M8x60</p> <p>1 PC</p>	<p>(P1)</p>  <p>M6 Metal Gasket</p> <p>4 PCS</p>	<p>(P2)</p>  <p>M8 Metal Gasket</p> <p>2 PCS</p>	<p>(Q)</p>  <p>M8</p> <p>1 PC</p>	<p>(R)</p>  <p>Glass Pad</p> <p>2 PCS</p>
<p>(S)</p>  <p>Footbed</p> <p>1 PC</p>	<p>(T1)</p>  <p>M6 Ring Gasket</p> <p>1 PC</p>	<p>(T2)</p>  <p>M8 Ring Gasket</p> <p>2 PCS</p>	<p>(U1)</p>  <p>Screw Caps</p> <p>4 PCS</p>	<p>(U2)</p>  <p>Nut Caps</p> <p>1 PC</p>

How To Assemble Swivel Glide Sofa

Step 1: Attach the seat bottom(C) to the backrest(D) with screws(N3).

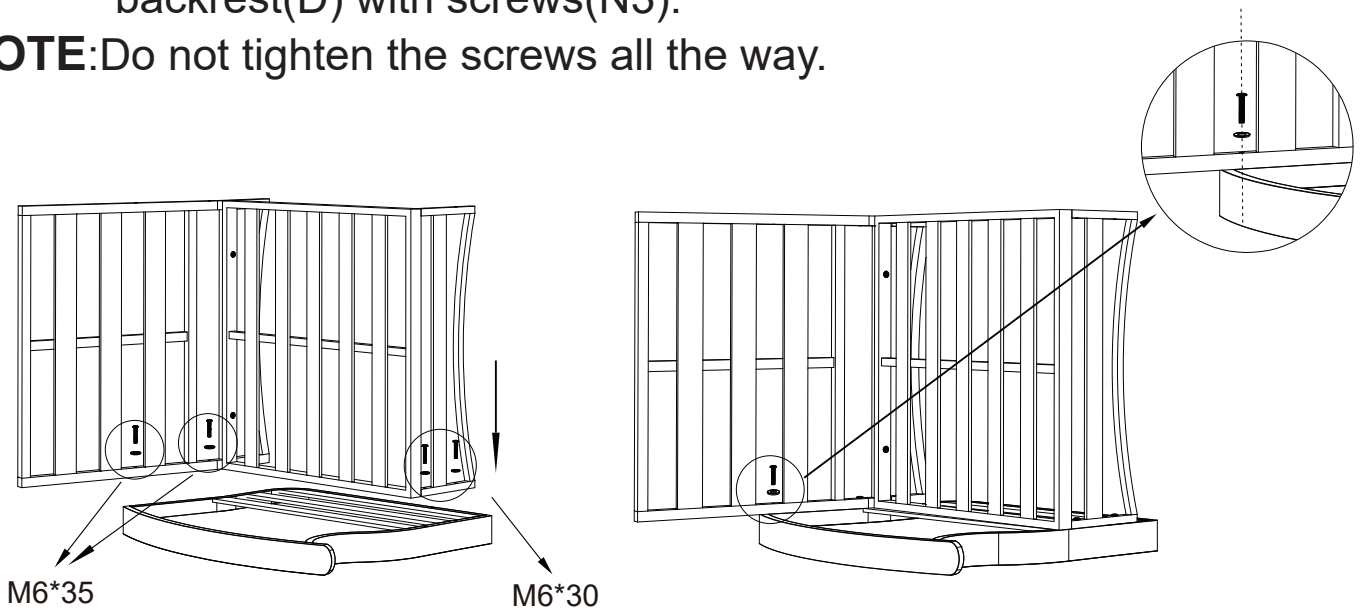
NOTE: Do not tighten the screws all the way.



C		x2	D		x2	N3		M6*30	x4
						P1		M6	x4

Step 2: Connect the left armrest(A) of the sofa to the seat bottom(C) and backrest(D) with screws(N3).

NOTE: Do not tighten the screws all the way.

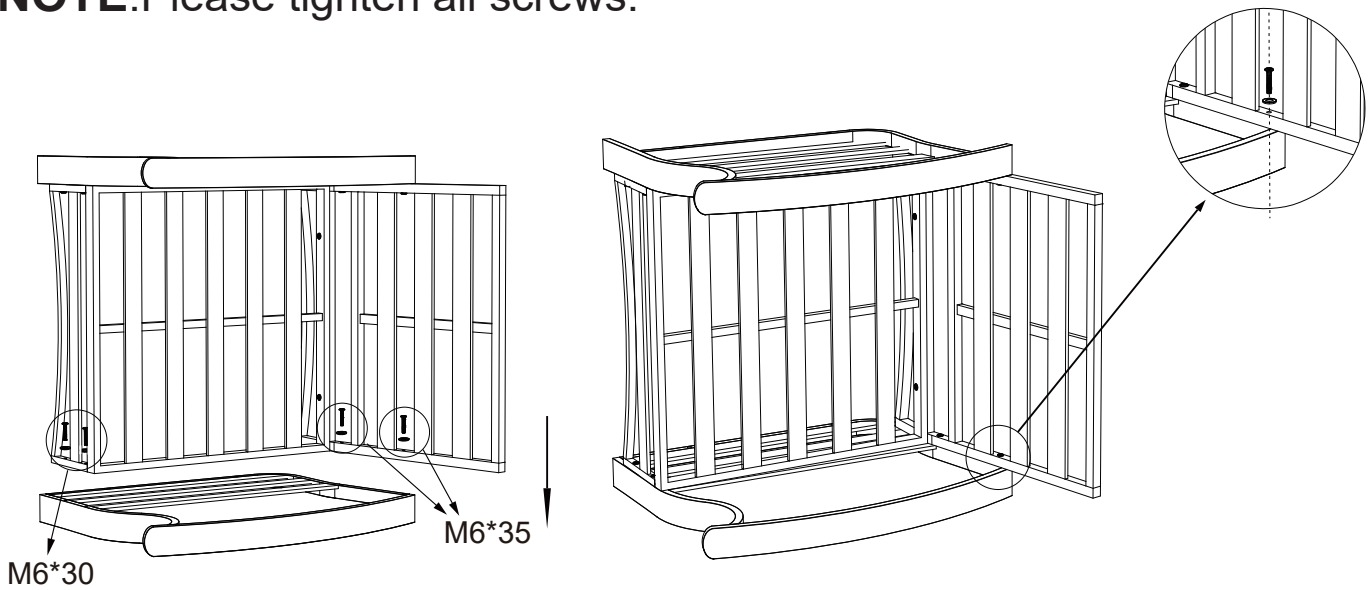


A		x2	P1		M6	x8	N3		M6*30	x4
							N4		M6*35	x4

Installation steps

Step 3: Connect the right armrest(B) of the sofa to the seat bottom(C) and backrest(D) with screws(N3).

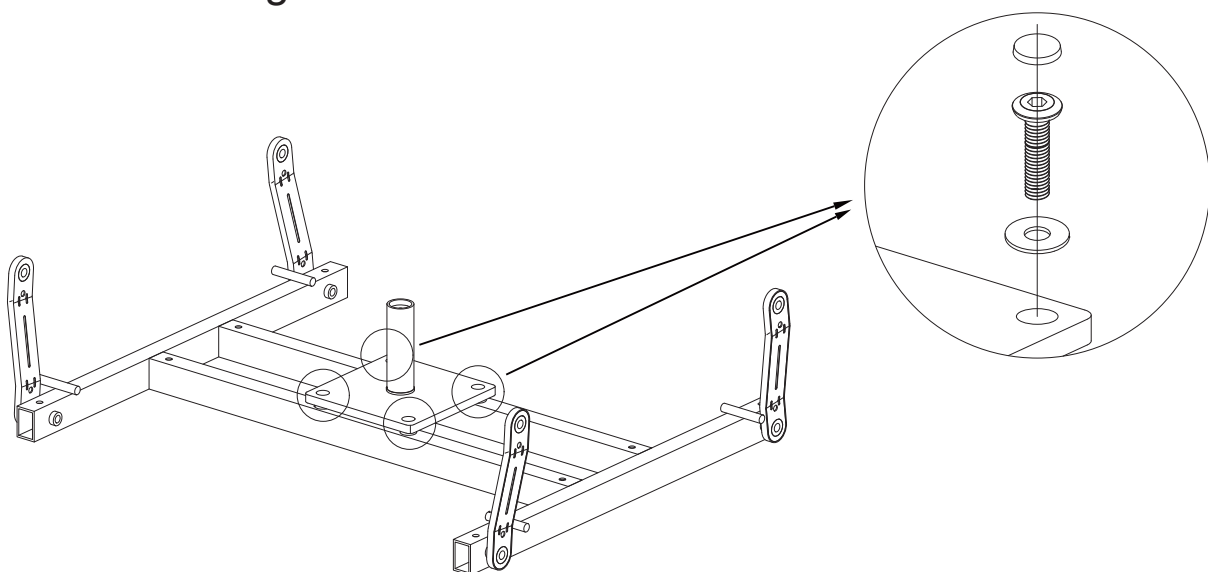
NOTE: Please tighten all screws.



B		x2	P1		M6	x8	N3		M6*30	x4
							N4		M6*35	x4

Step 4: Connect the connecting frame(E) and the base connector(F) with screws(O1), then put the screw cap(U1) on the screw M8.

NOTE: Please tighten screws.

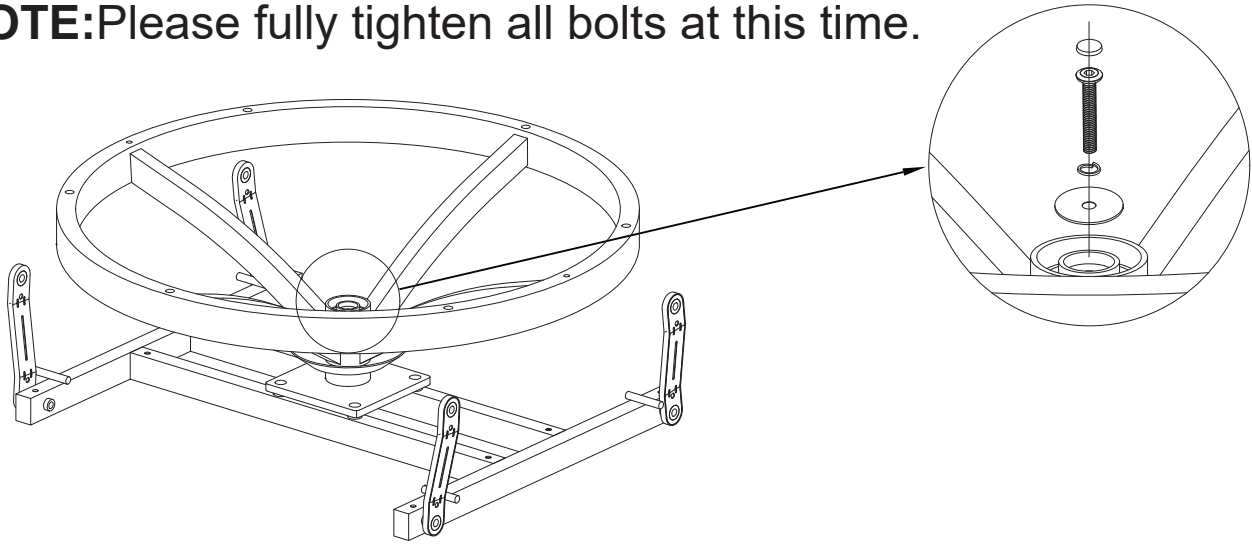


E		x2	F		x2	O1		M8x25	x8	P2		M8	x8
										U1			x8

Installation steps

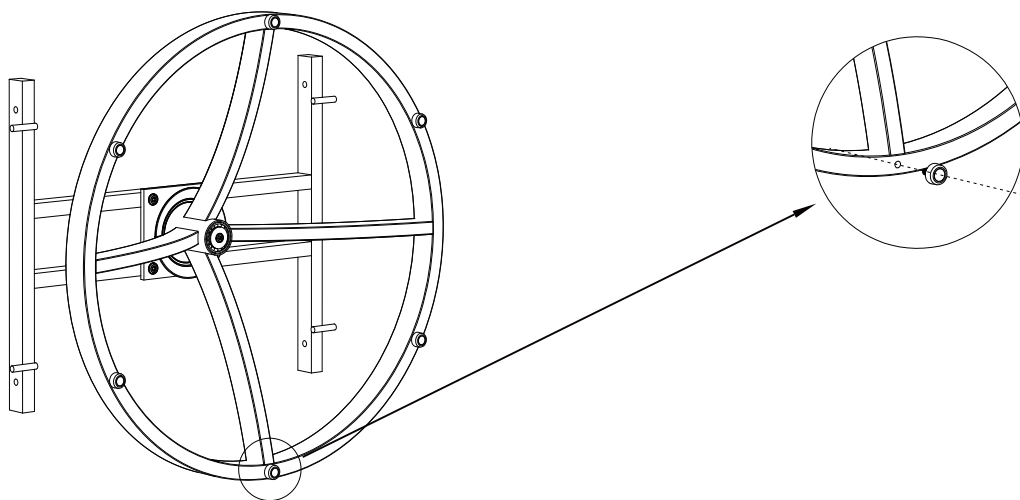
Step 5: Insert the base connector(F) into the swivel chair base(G) and lock it with screws(N3), then put the screw cap(U1) on the screw M6.

NOTE: Please fully tighten all bolts at this time.



G		x2	N3	M6*30	x2	U1		x2
			T1		x2	P3		x2

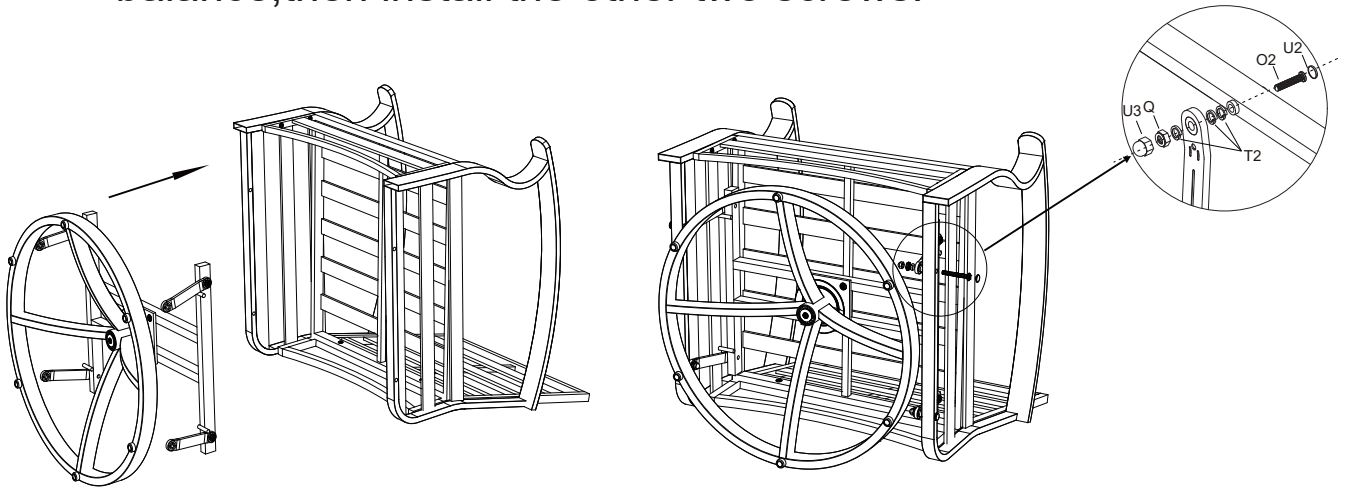
Step 6: Tighten the footbed(S).








Installation steps

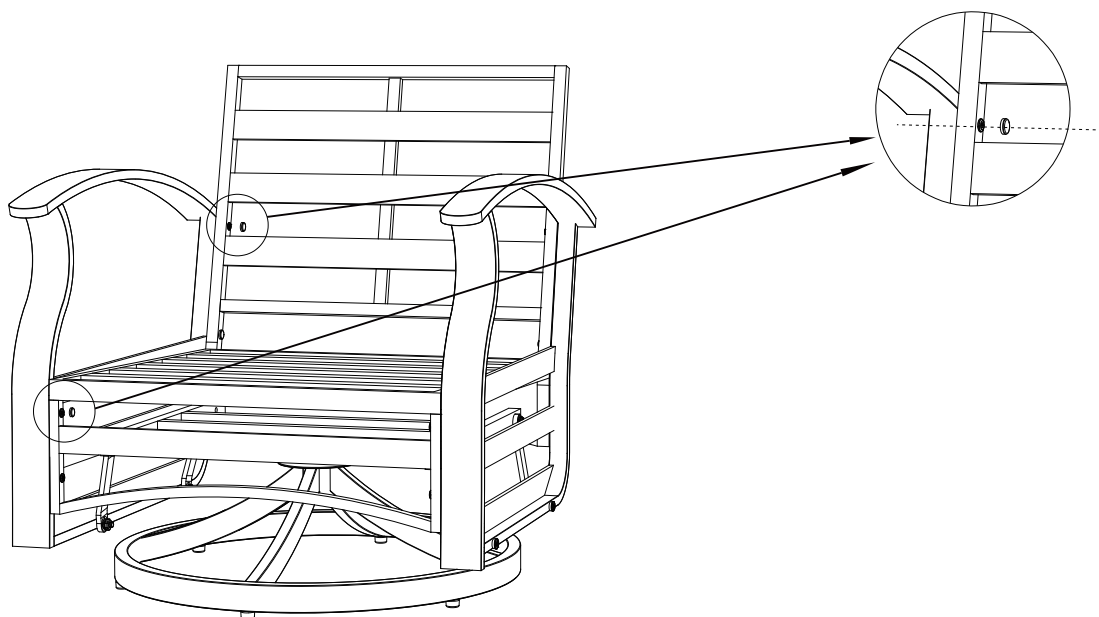
Step 7: Connect the base connector with the left and right armrests under the sofa with screws(O2), then cover the screw cap(U1) and nut cap(U2).


NOTE: Please attach two screws in diagonal position first to keep the balance, then install the other two screws.



O2	 M8*60	x8	Q		x8	U1		x8
			T2		x24	U2		x8

Step 8: Put all the screw cap(U1) on the screw M6.

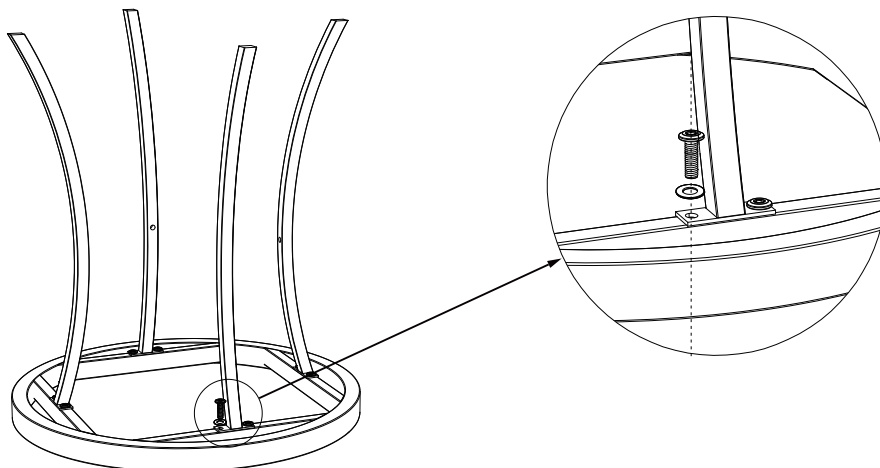


U1		x20
----	---	-----

How To Assemble The Coffee Table

Step 1: Connect the coffee table legs(L) to the coffee table top(I) with screw(N1).

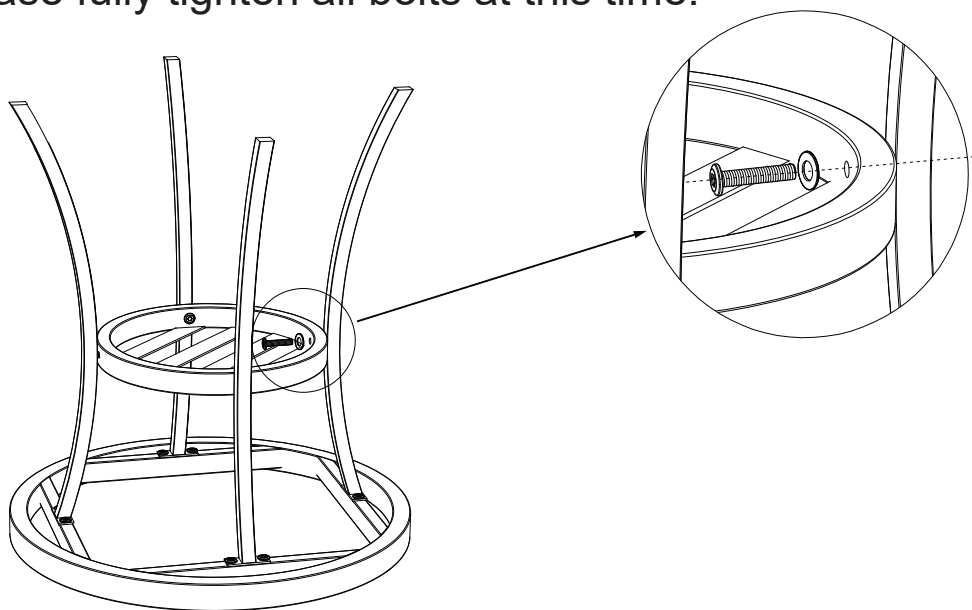
NOTE: Do not tighten the screws all the way.



I		x1	L		x4	N1		M6*20	x8
						P1		M6	x8

Step 2: Connect the coffee table legs(L) to the coffee table platform(K) with screws(N2).

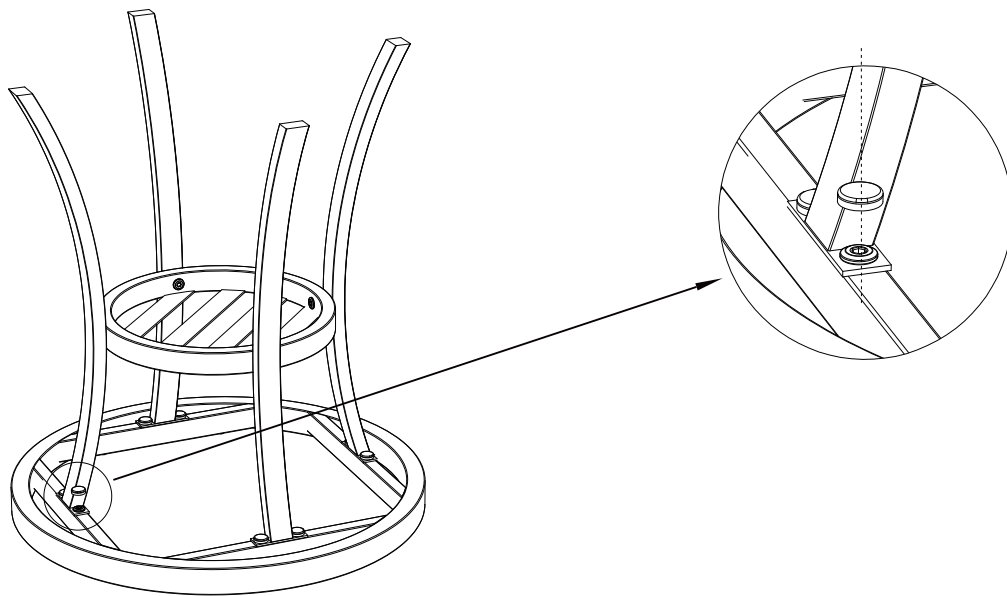
NOTE: Please fully tighten all bolts at this time.



K		x1	N2		M6*25	x4	P1		M6	x4
---	--	----	----	--	-------	----	----	--	----	----

Installation steps

Step 3: Put the screw cap(U1) on the screw M6.

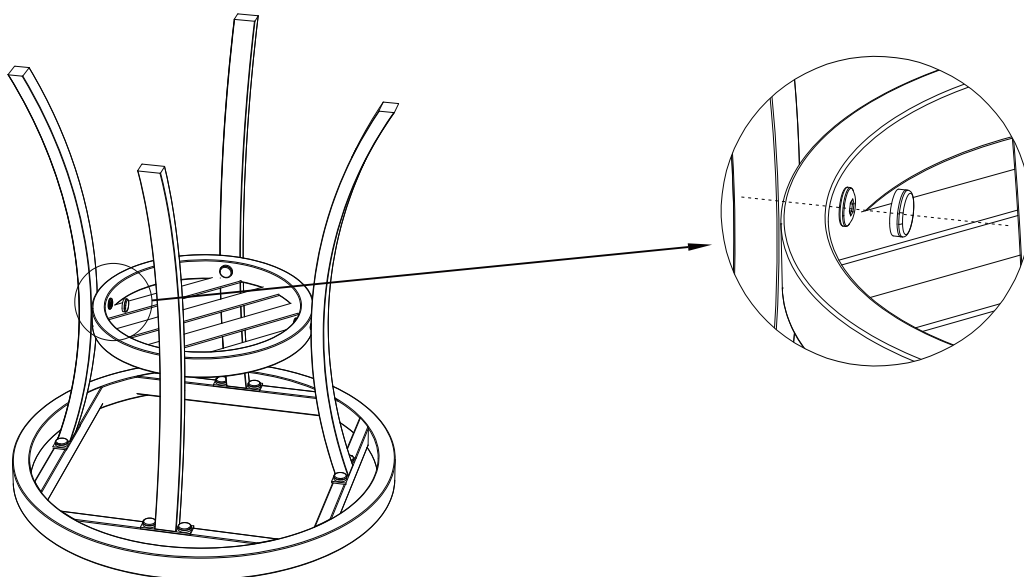


U1



x8

Step 4: Put the screw cap(U1) on the screw M6.



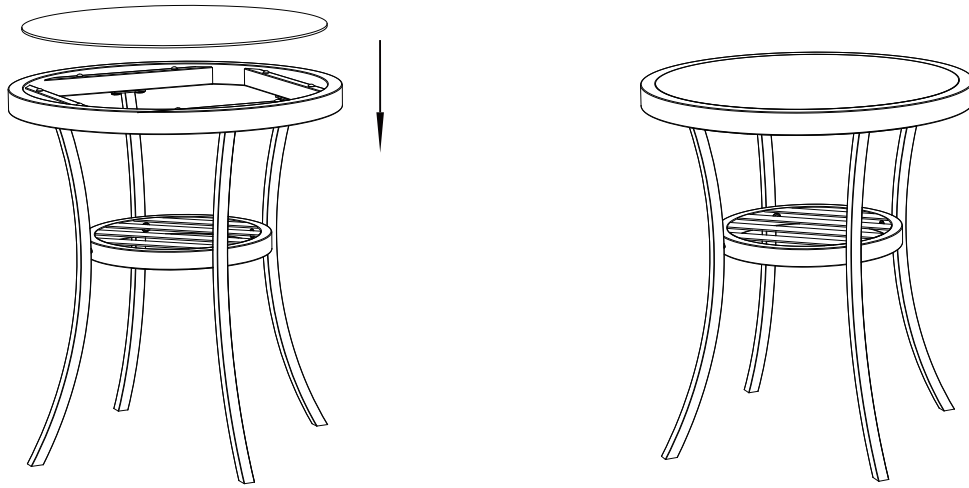
U1



x4

Installation steps

Step 5: Place the coffee table glass(J) on the surface of the coffee table.



J

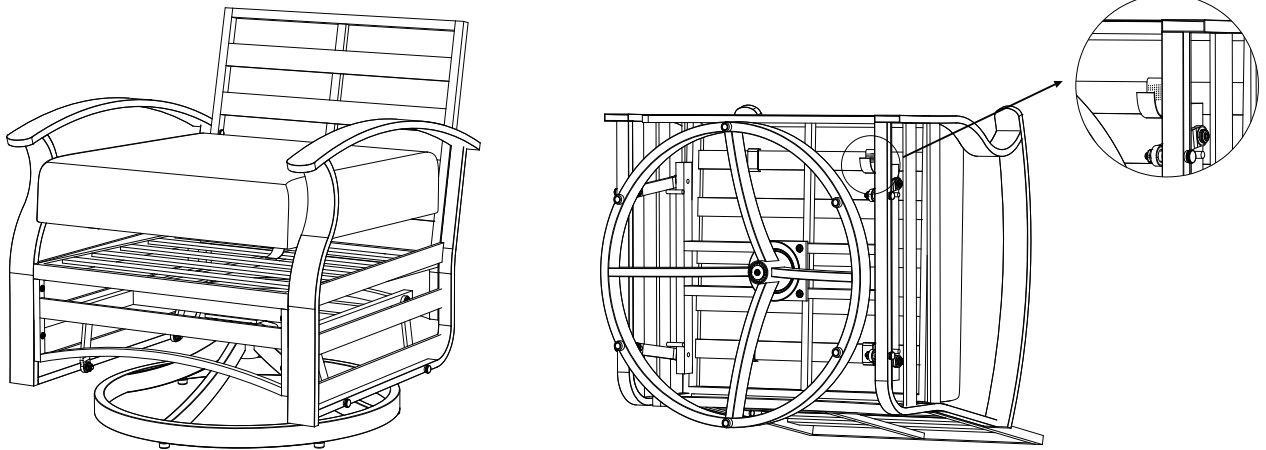


x1

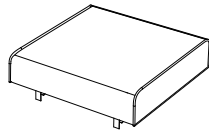
How To Assemble The Seat Cushion And Pillows

Step 1: Put the seat cushion(H1) on the seat plate, stick the velcro under the seat cushion.

NOTE: Pay attention to the front and rear placement of the seat cushion, rounded edges in front.

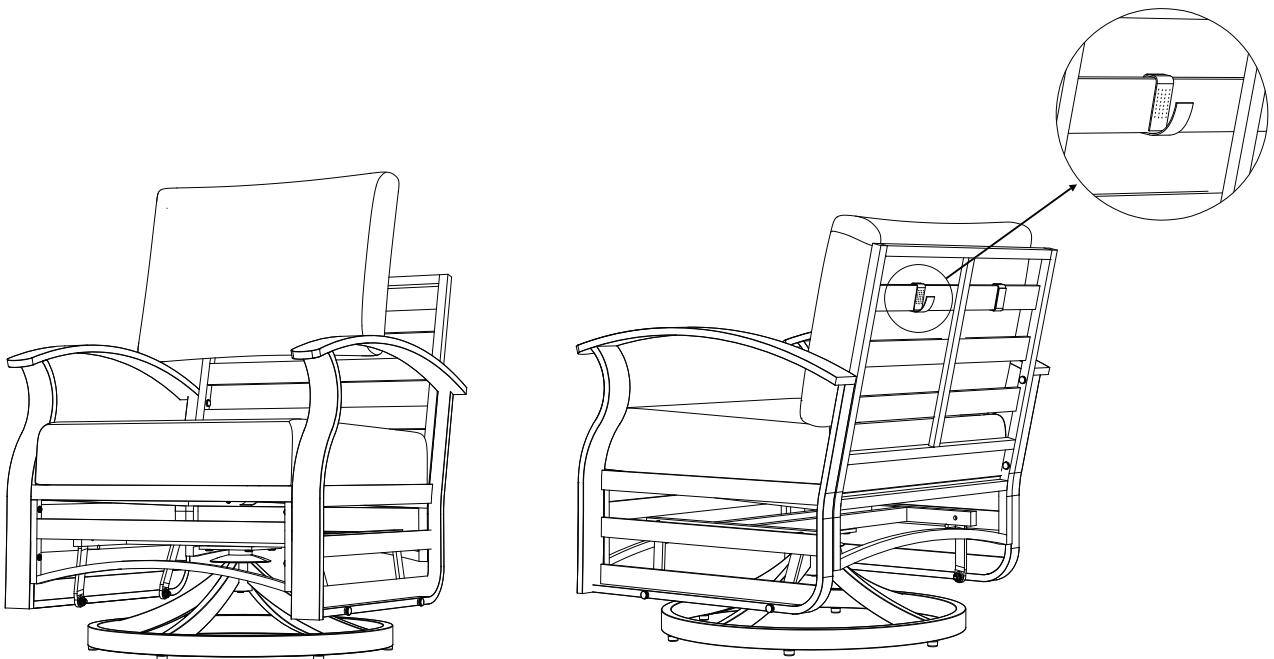


H1



x2

Step 2: Put the pillows(H2) on the back of the sofa and stick the velcro.



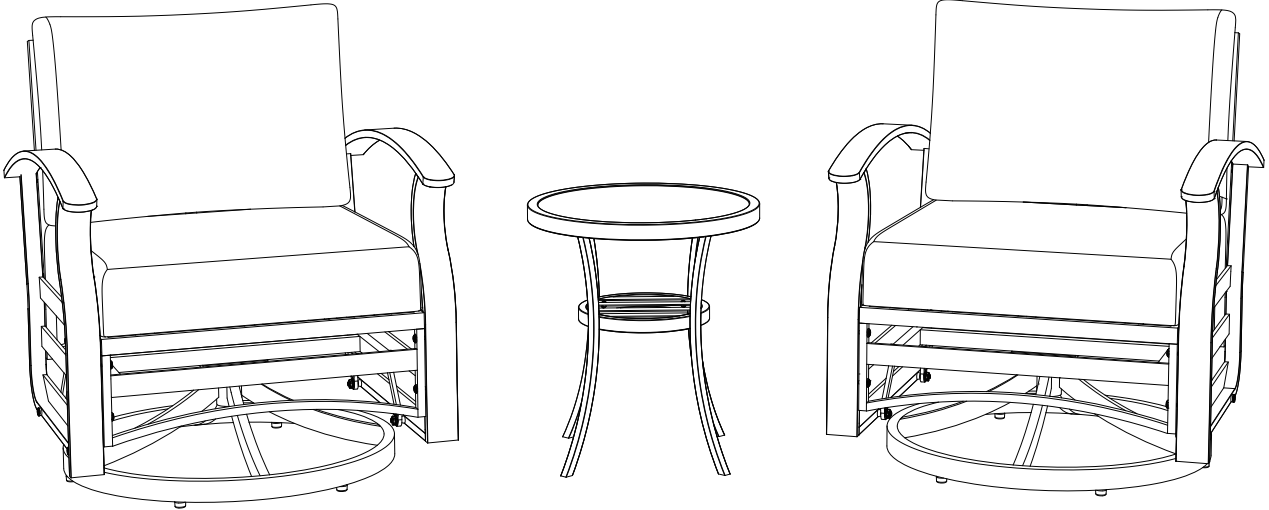
H2



x2

Installation steps

Step 3: Check and organize the swivel chair and enjoy using it.



Cushion Manual



2pcs white foam for seat cushion
2pcs PP cotton filler for back cushion



2pcs back cushion covers



2pcs seat cushion covers



Open cushion filler packing



Put the cushion filler
inside the cover



Back Cushion



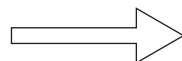
Open seat cushion
white foam packing



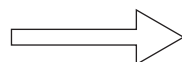
Put the white foam
inside the cover



Seat Cushion



2pcs back cushions



2pcs seat cushions

Please Note:

Because the cushion and pillow infilling is vacuum packed, So after you open the bag and put them into the covers, The springback of the PP cotton of pillow need some more time than the white foam cushion, usually need 3-4 days. It can make the time shorter if slapping the pillows with the palm or other flat object.