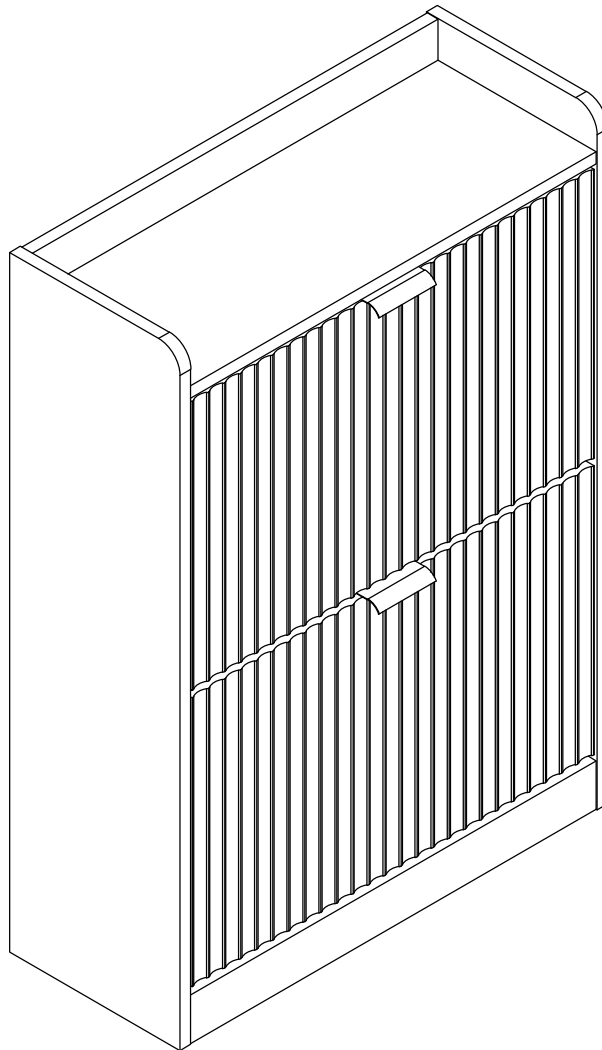


ASSEMBLY INSTRUCTIONS



Tools Recommended

THIS INSTRUCTIONS CONTAINS IMPORTANT SAFETY INFORMATION.
PLEASE READ BEFORE ASSEMBLY AND KEEP FOR FUTURE REFERENCE.

Need Parts or Assistance? Email us at support@homejoyee.com

IMPORTANT NOTICE

- This product contains small components, please ensure that they are kept away from small children.
- THIS INSTRUCTIONS CONTAINS IMPORTANT SAFETY INFORMATION. PLEASE READ BEFORE ASSEMBLY AND KEEP FOR FUTURE REFERENCE.
- Read each step carefully. It is very important that each step of instruction is performed in the correct order. If these steps are not followed in sequence, assembly difficulties will occur.
- Make sure all parts are included. Most parts are labelled or stamped on the raw edge.
- Work in spacious area, preferably on a carpet, near the place the unit will be used.
- Do not use power tools to assemble your furniture. Power tools may strip or damage the parts.
- Move your new furniture carefully, with two people lift and carry the unit to it's new location.
- Never push, drag or pull your furniture (especially on carpet)



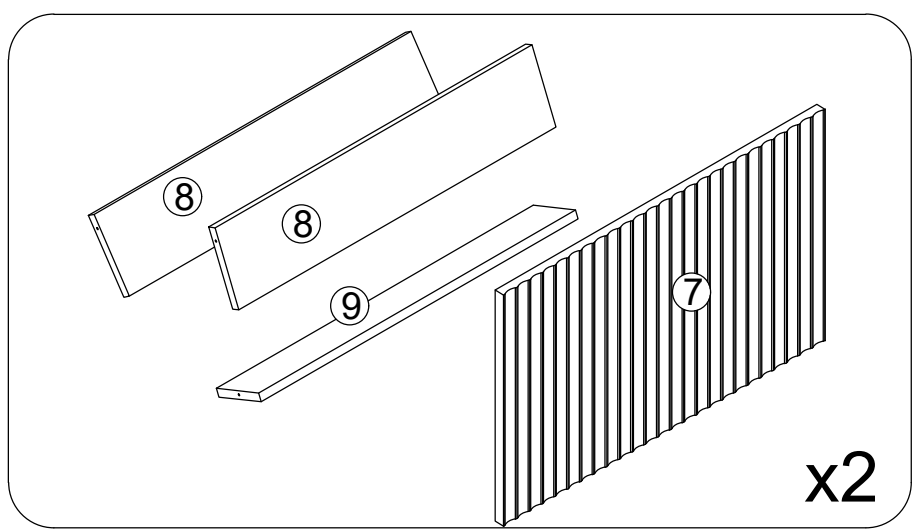
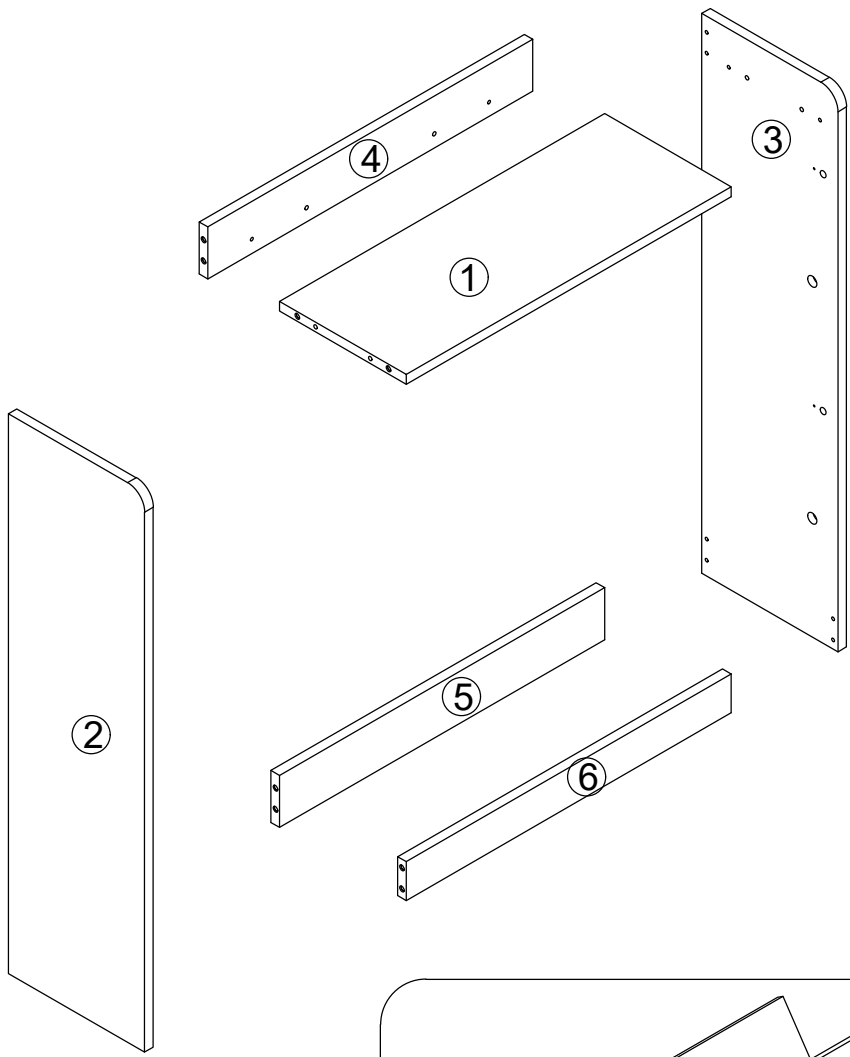
PLEASE DO NOT RETURN PRODUCT TO US IMMEDIATELY

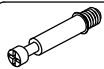


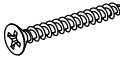





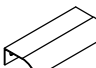



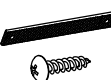
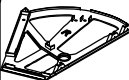
If a part is missing or damaged, email our customer service. We will gladly ship your replacement parts FREE of charge.

Need Parts or Assistance? Email us at [**support@homejoyee.com**](mailto:support@homejoyee.com)

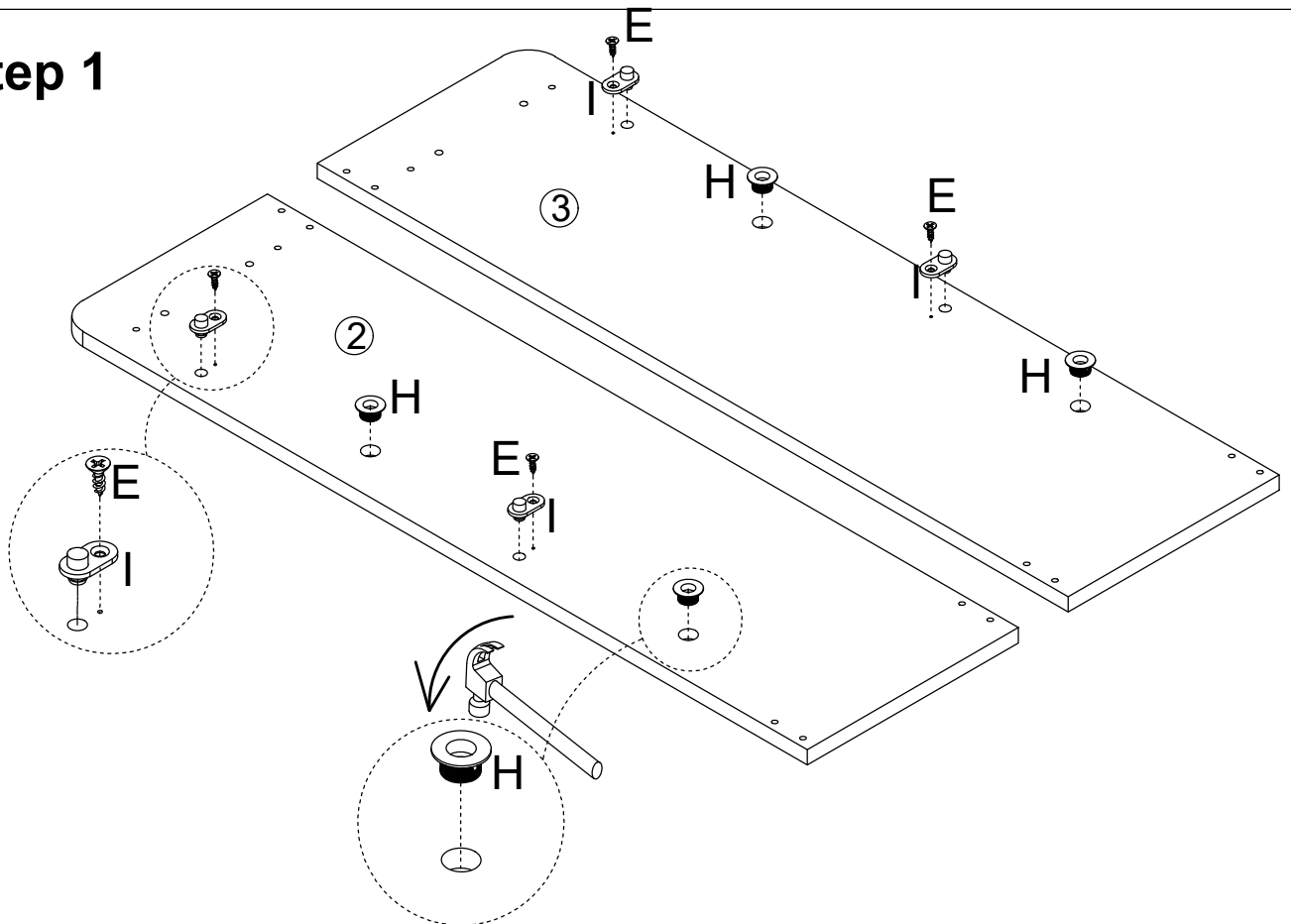
For Prompt, reliable service, please have your assemble instruction ready.


 WARNING	
	<p>Children have died from furniture tipover. To reduce the risk of furniture tipover:</p> <ul style="list-style-type: none">• ALWAYS install tipover restraint provided.• NEVER put a TV on this product.• NEVER allow children to stand, climb or hang on drawers, doors, or shelves.• NEVER open more than one drawer at a time.• Place heaviest items in the lowest drawers.
	



 Ax16 Ø6x35mm	 Bx16 Ø15x10mm	 Cx6 Ø6x30mm	 Dx2 Ø4x35mm	 Ex28 Ø3.5x14mm	 Fx4 Ø4x10mm
 Gx4	 Hx4	 Ix4	 Jx2	 Kx4 Ø3x10mm	 Lx2
 Mx2	 Nx2	 Rx2			

Step 1

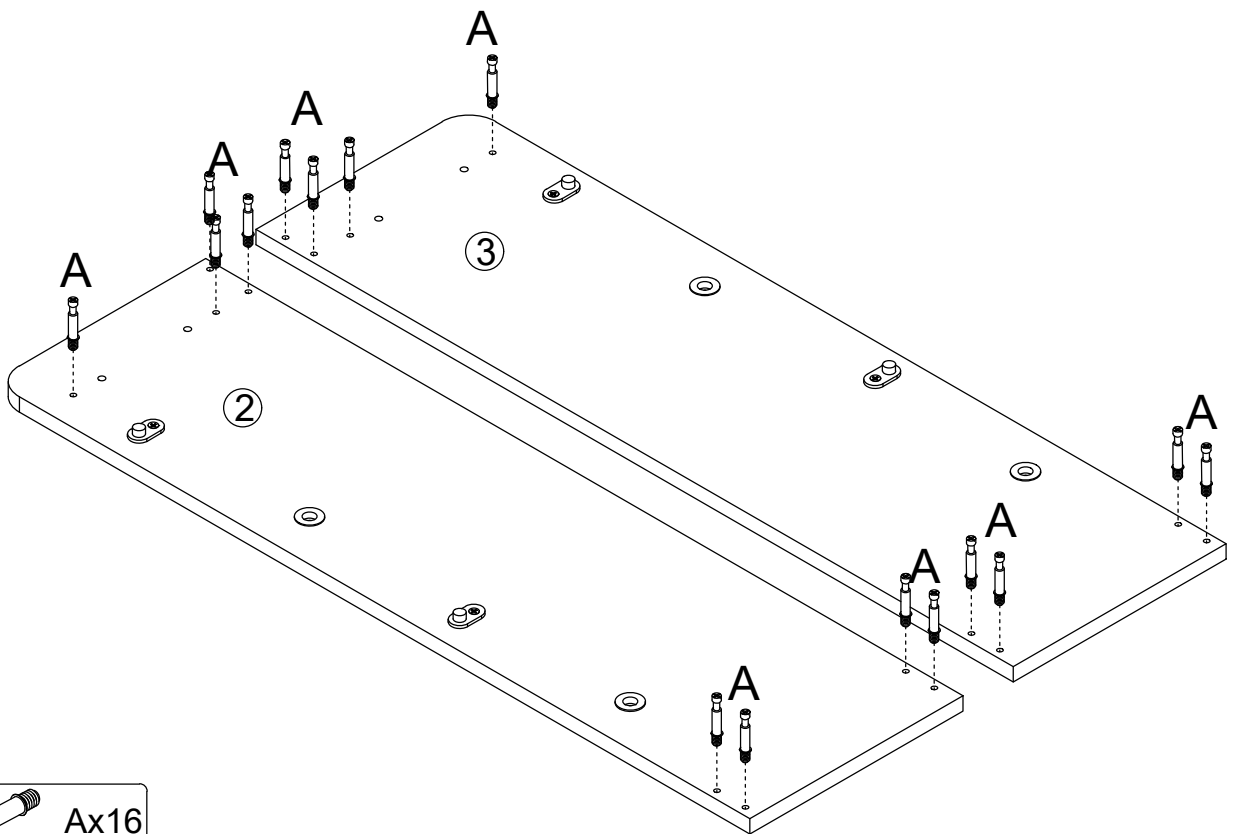


 **Ex4**
Ø3.5x14mm

 **Hx4**

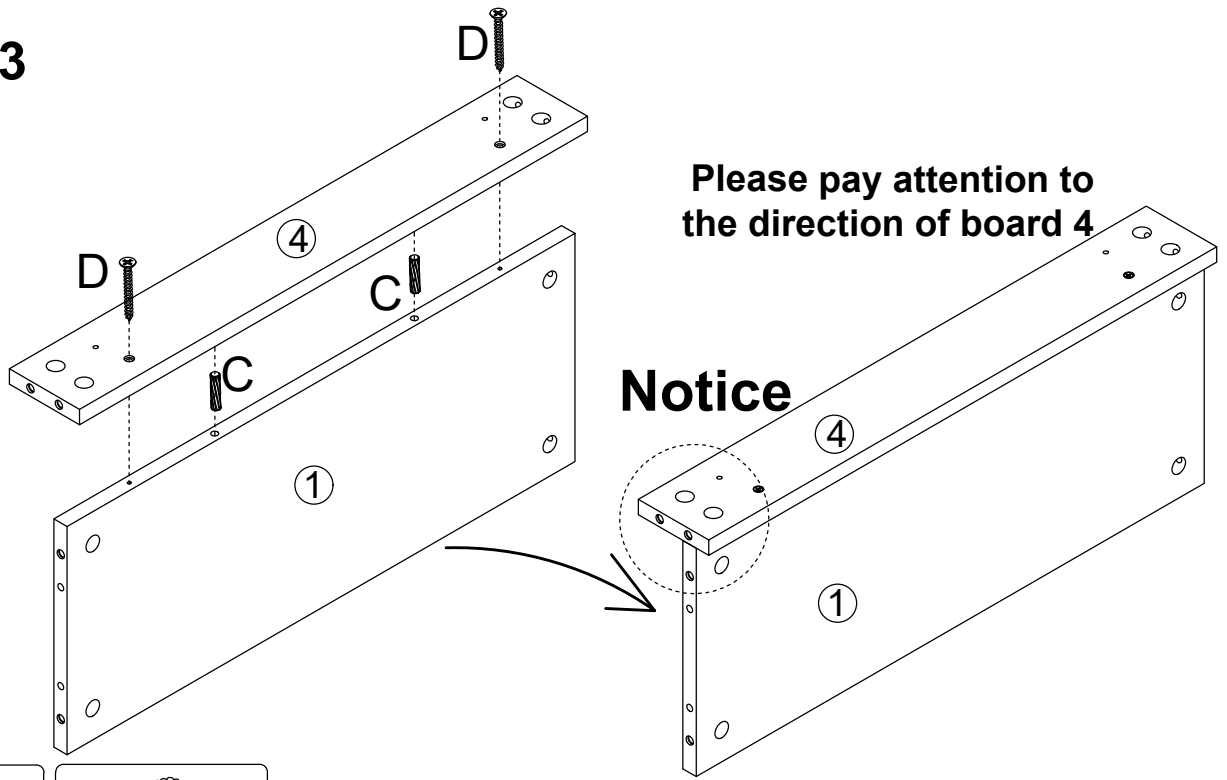
 **Ix4**

Step 2

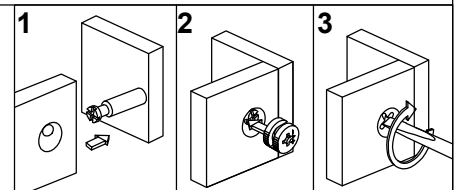
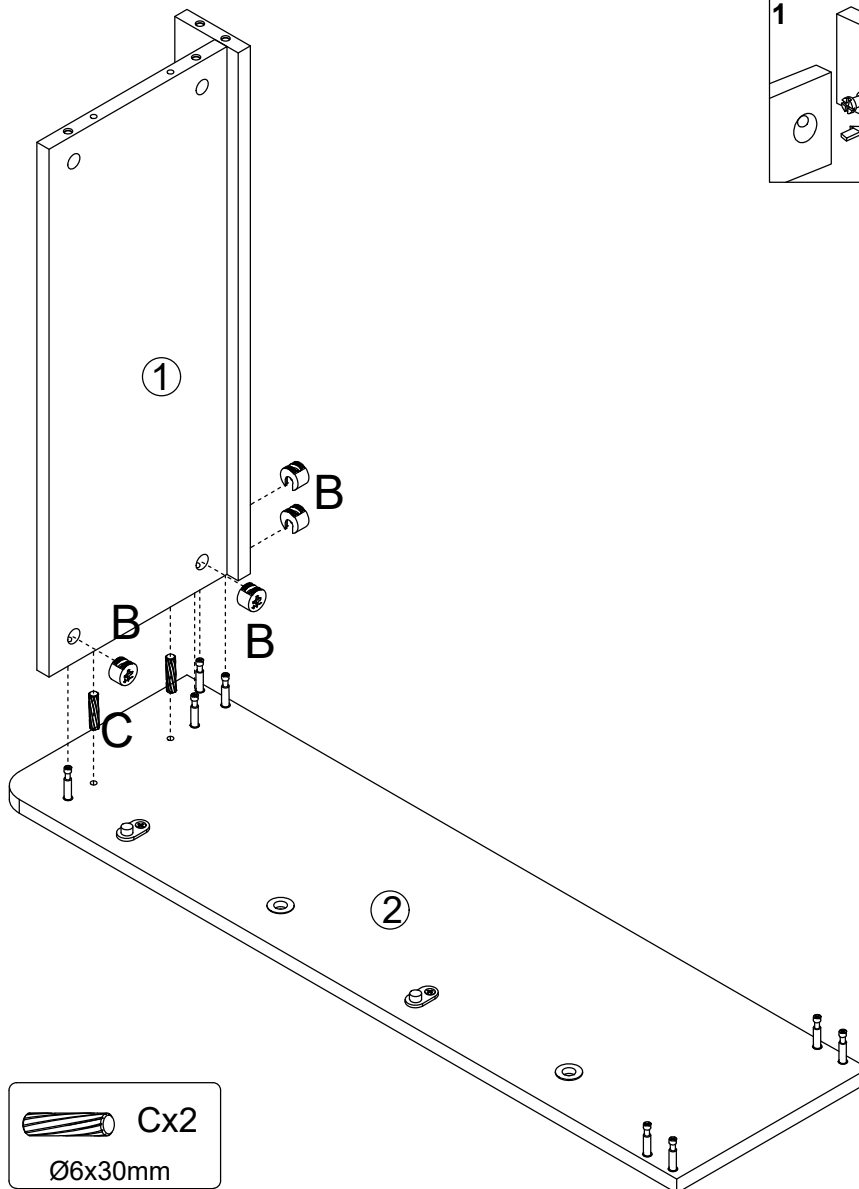


 **Ax16**
Ø6x35mm

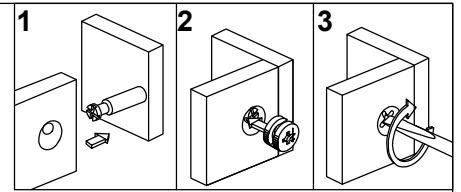
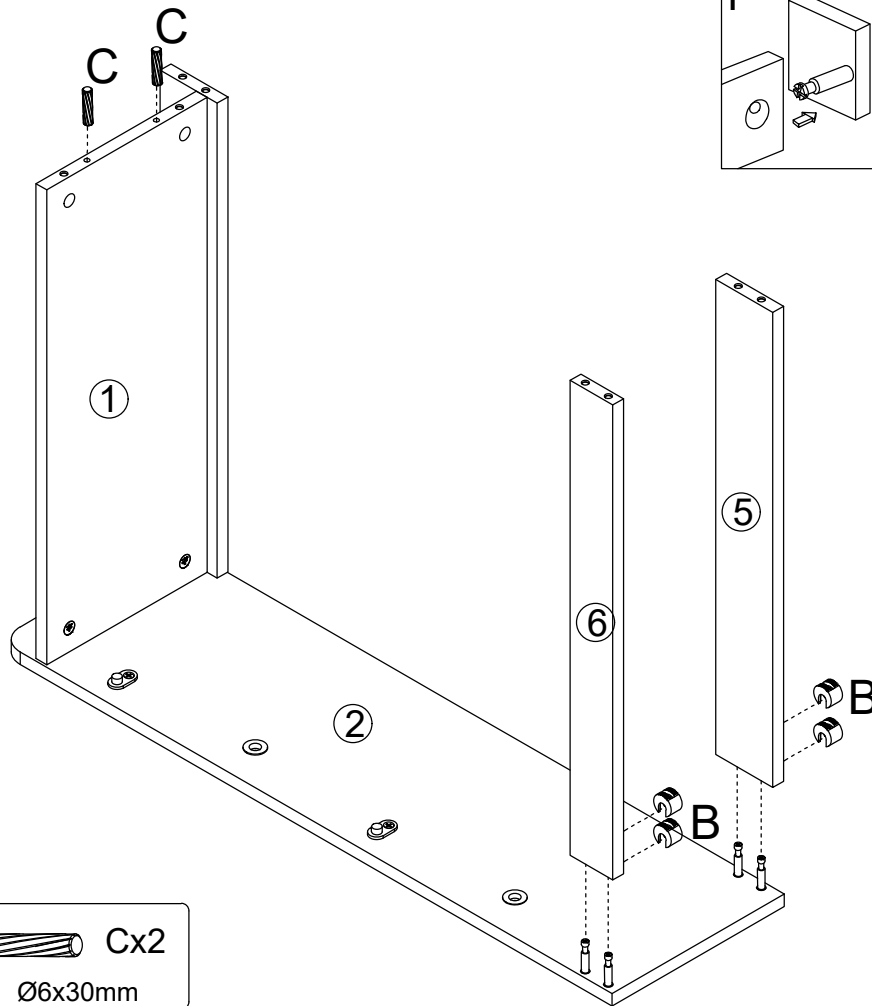
Step 3





Step 4



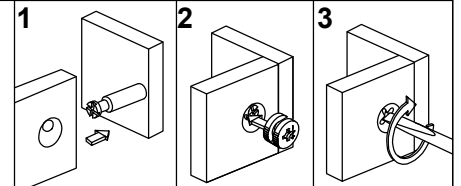
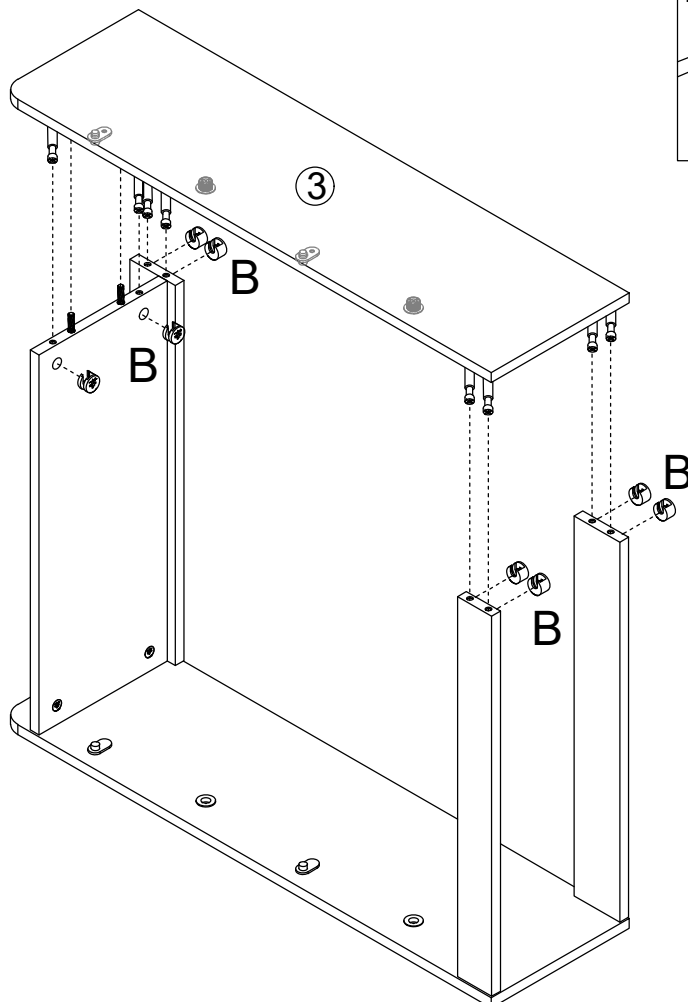
Step 5



 Bx4
Ø15x10mm

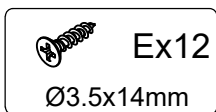
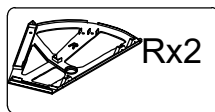
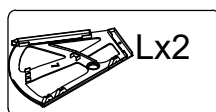
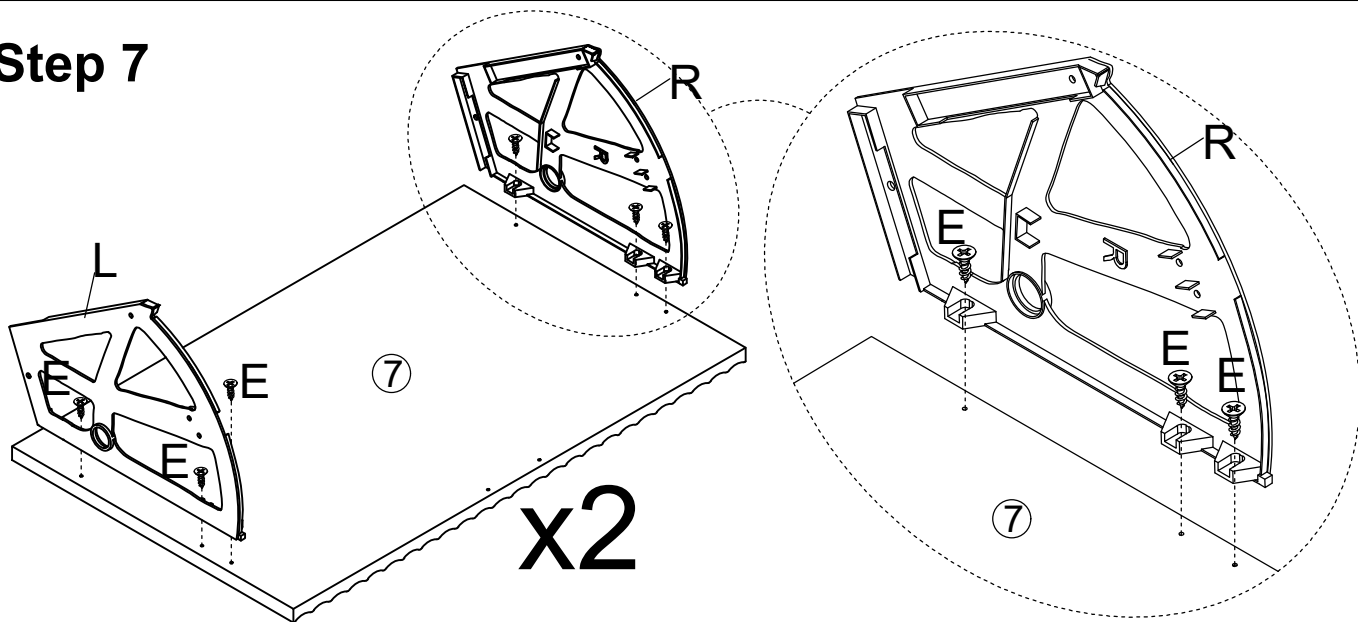
 Cx2
Ø6x30mm

Step 6

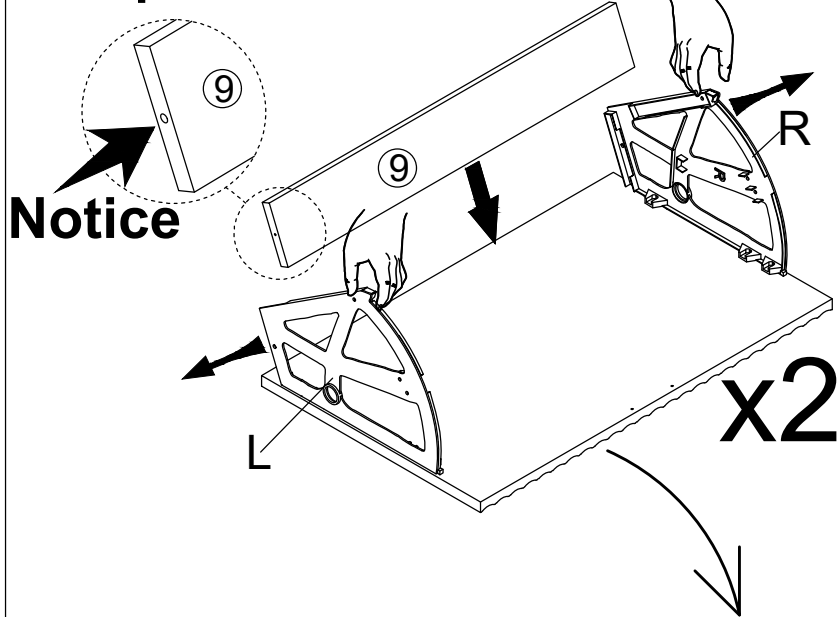


 Bx8
Ø15x10mm

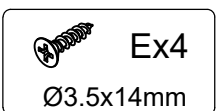
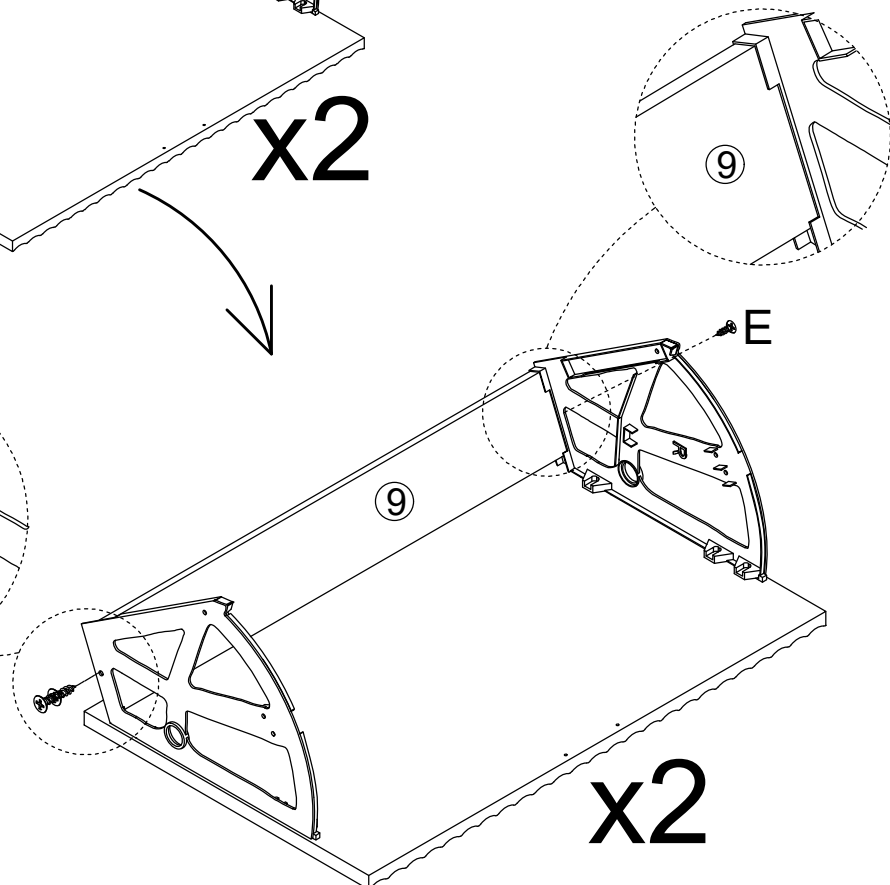
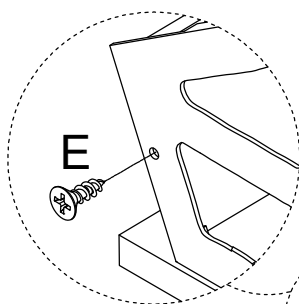
Step 7



Step 8

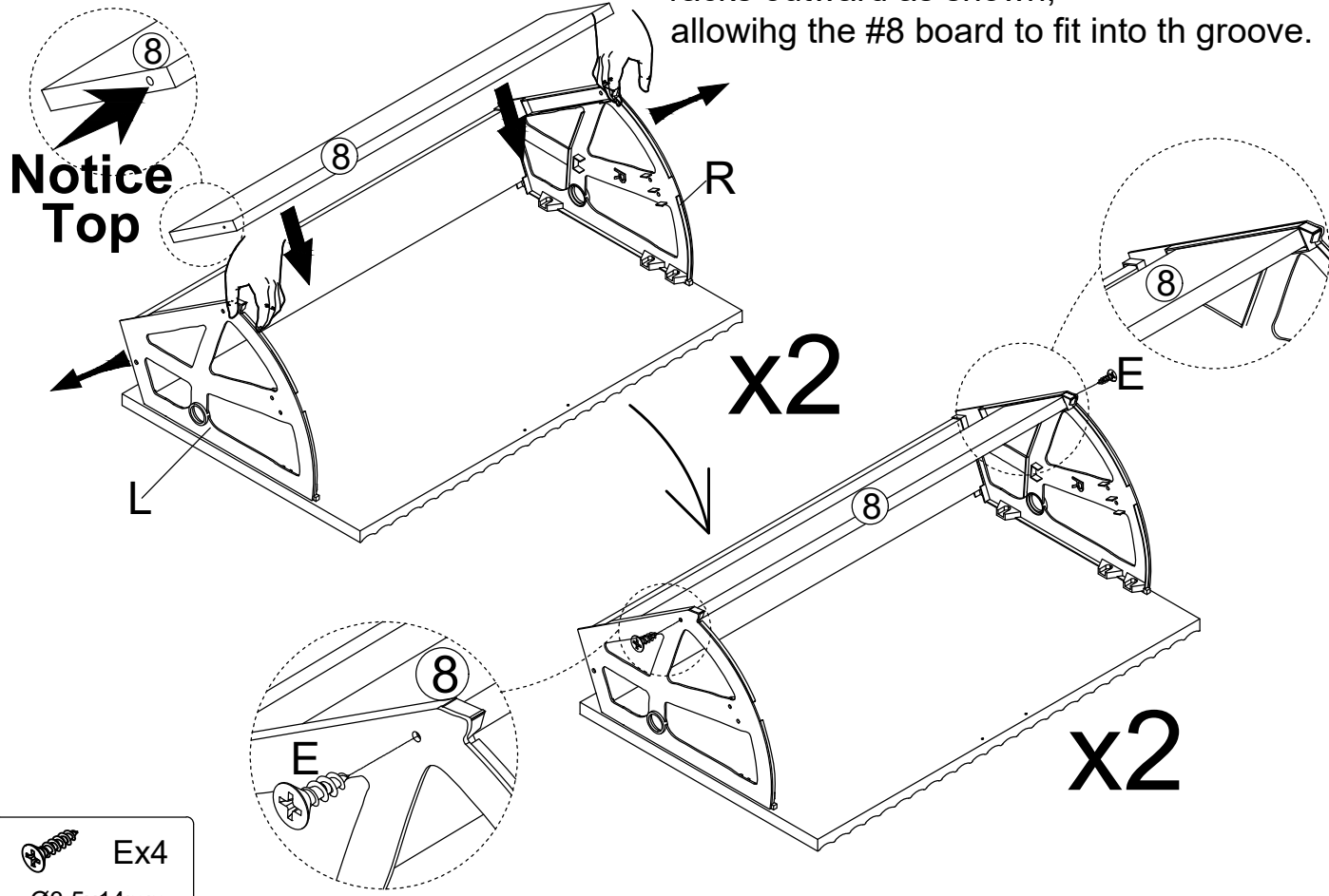


Please gently push the L and R shoe racks outward as shown, allowing the #9 board to fit into the groove.

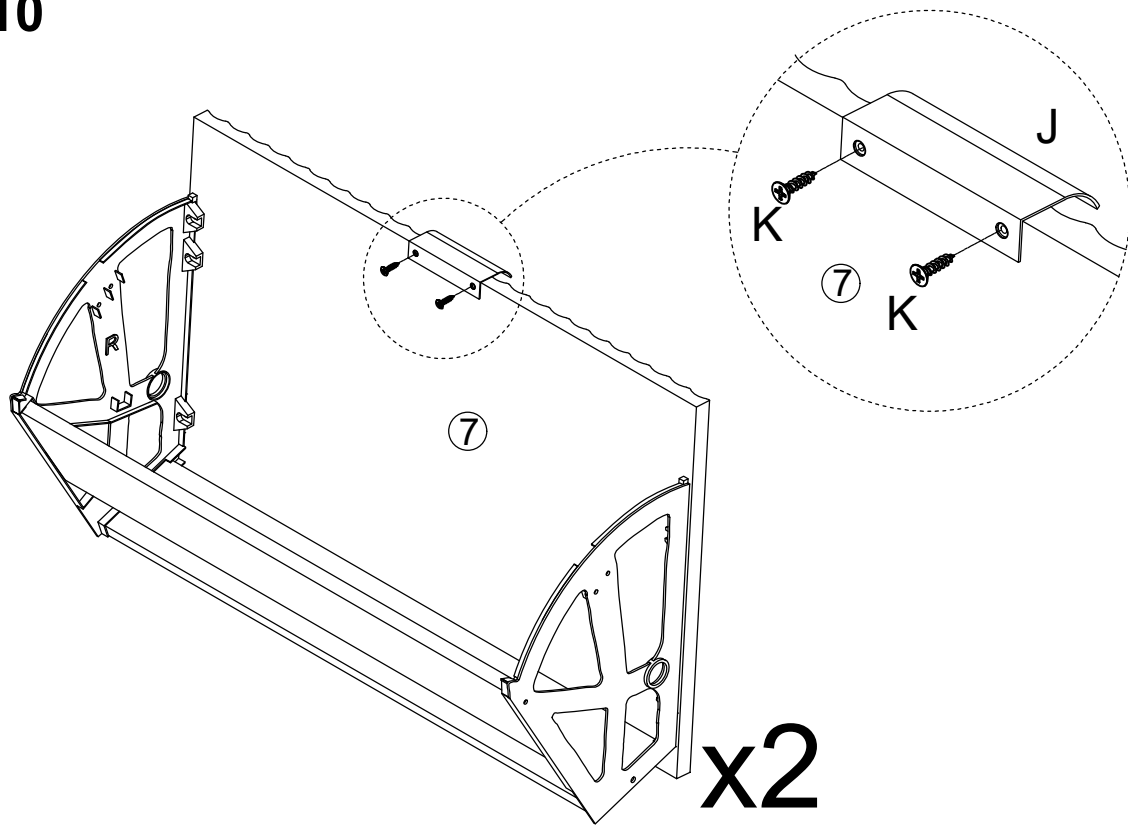


Step 9

Please gently push the L and R shoe racks outward as shown, allowing the #8 board to fit into the groove.

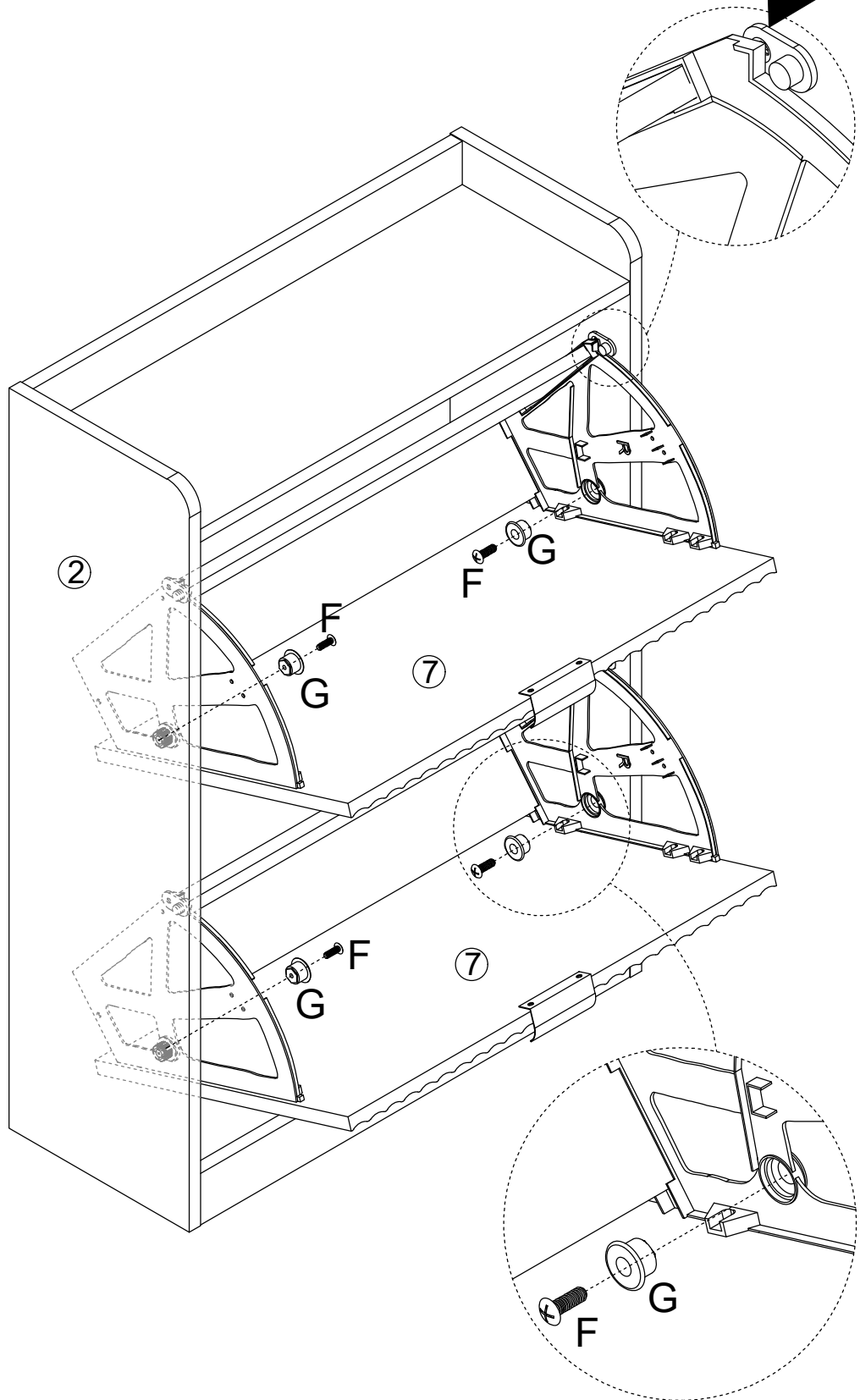


Step 10



Step 11

Notice

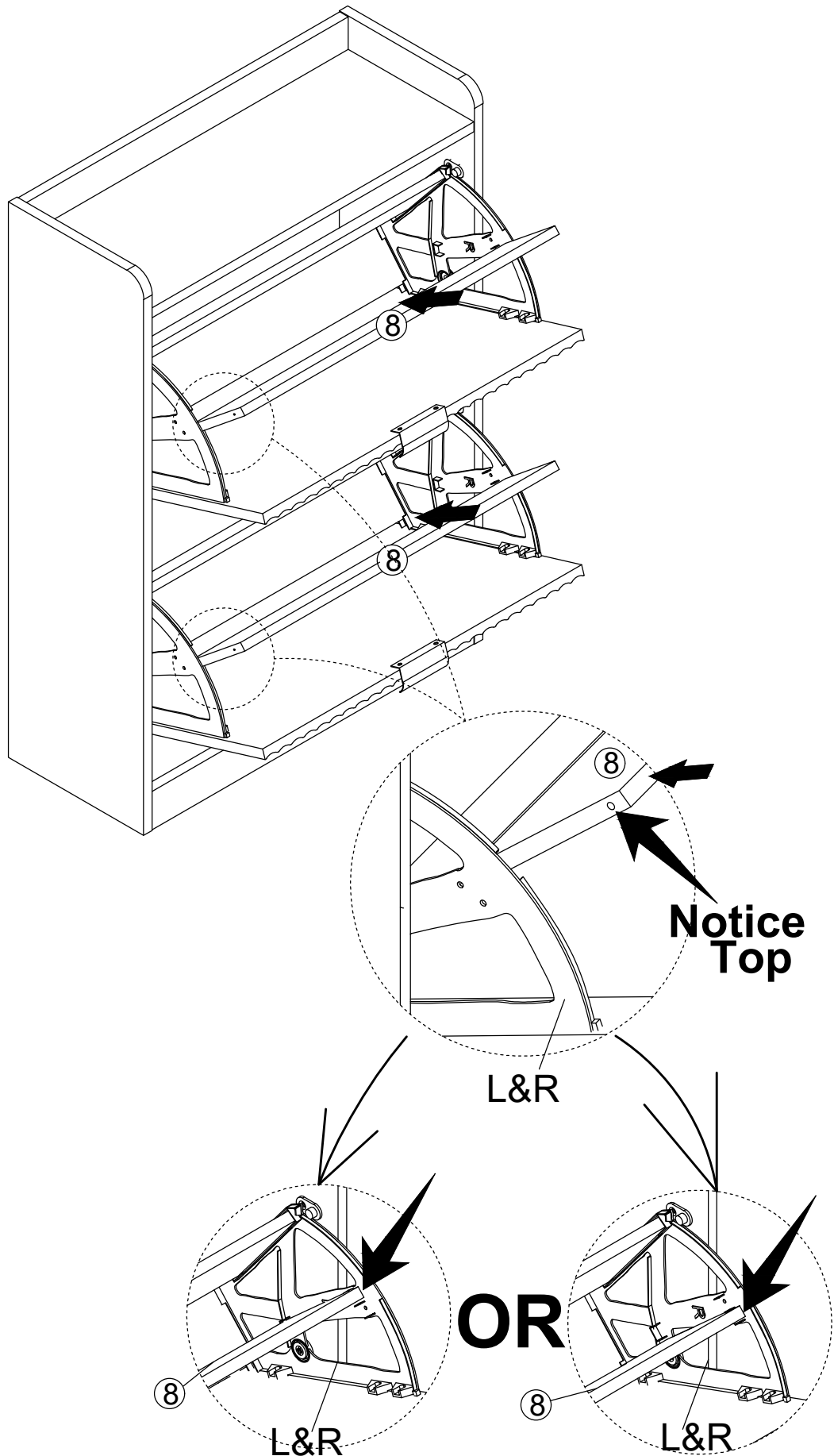


 Fx4
Ø4x10mm

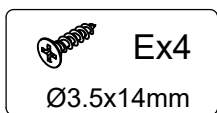
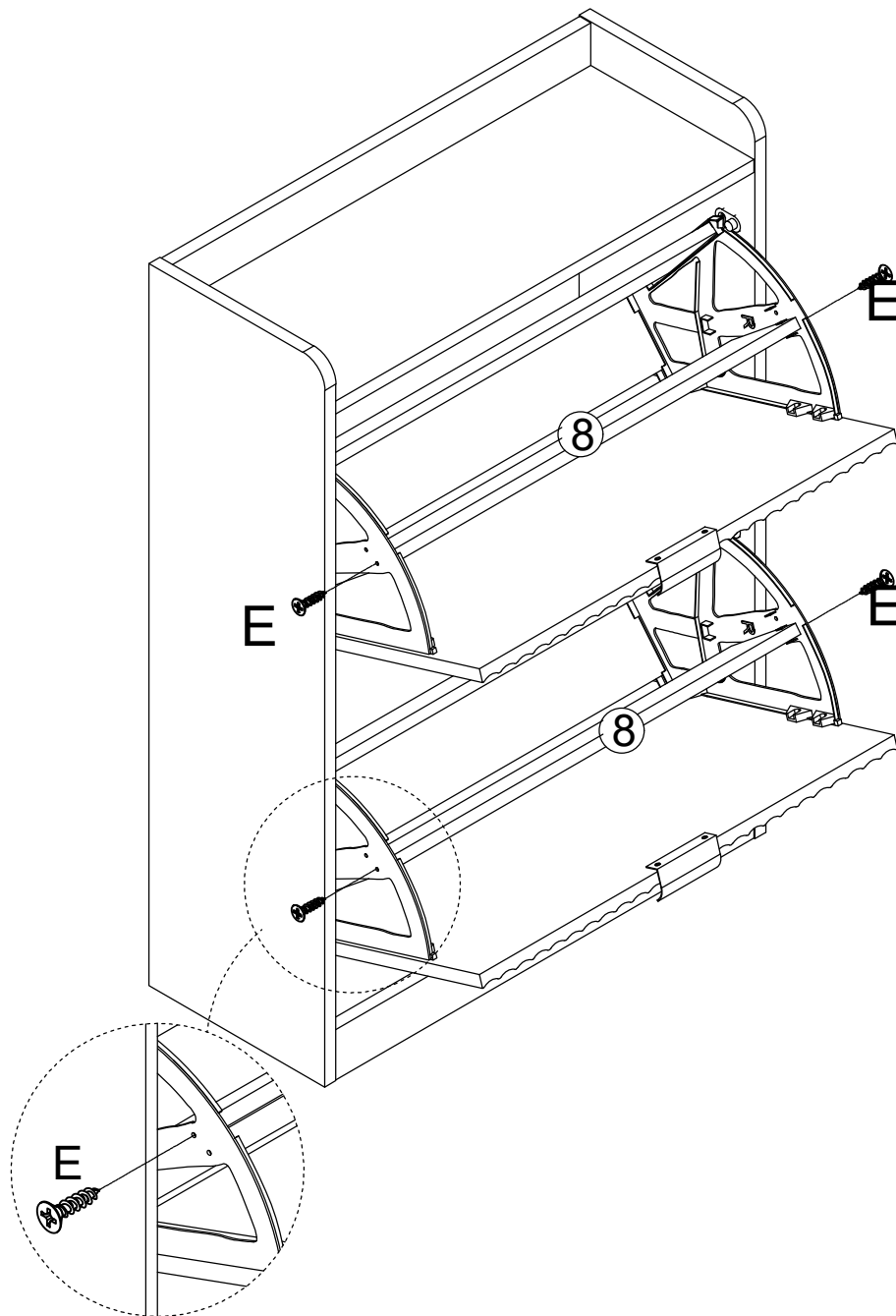
 Gx4

Step 12

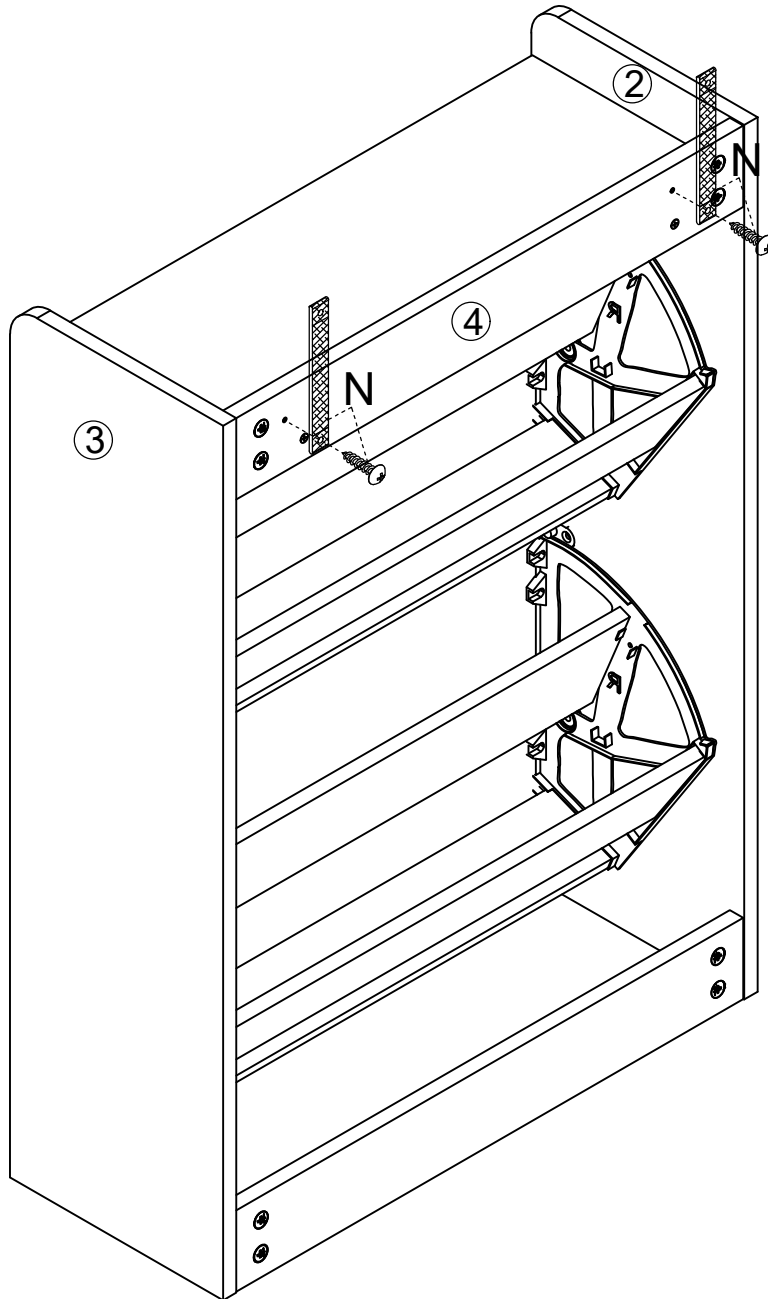
Please insert the #8 board according to the shoe size or your needs.



Step 13



Step 14



Step 15

