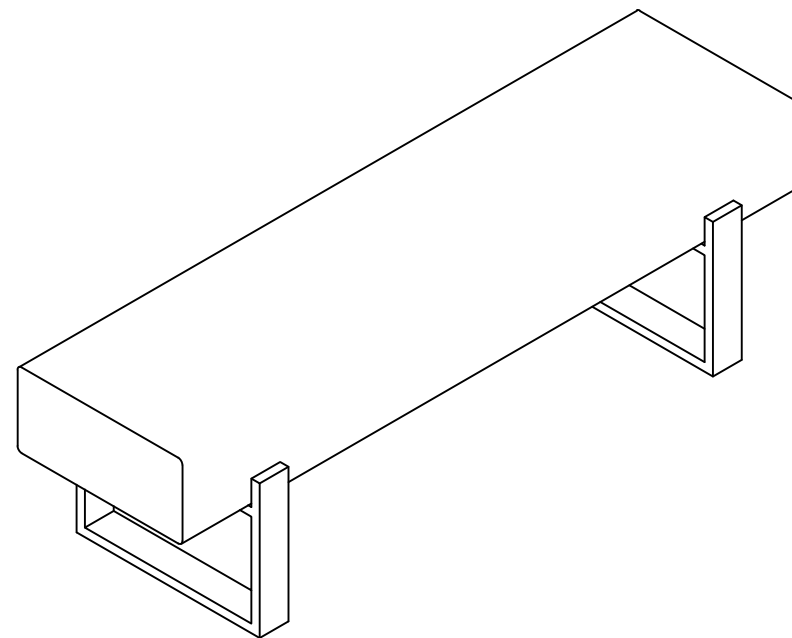
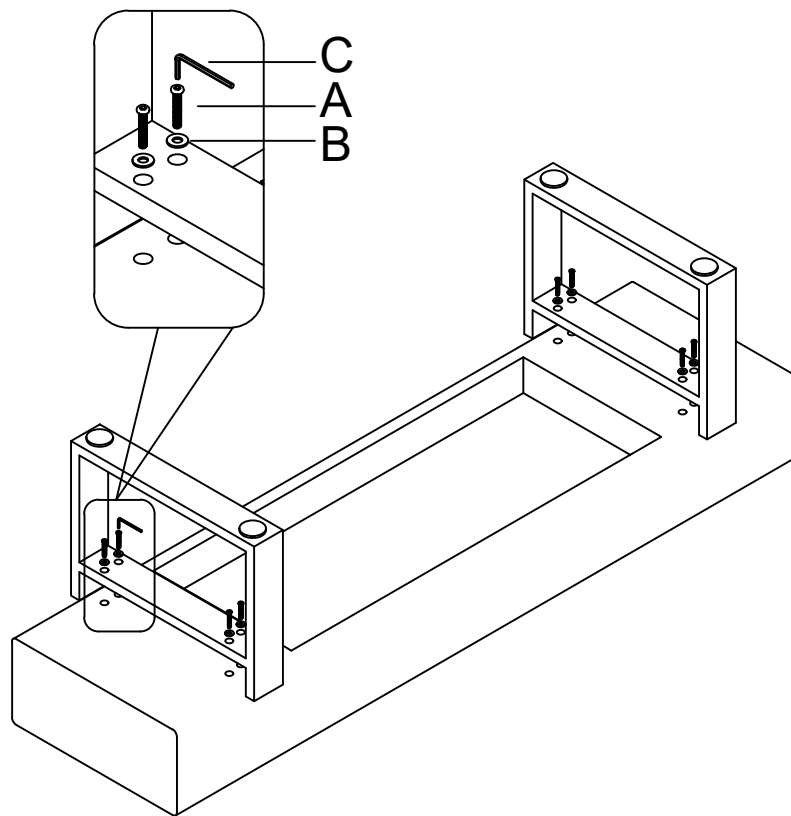


ASSEMBLY INSTRUCTION

STEP 1



DI-86

A



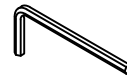
M8*40mm 8pcs

B



8pcs

C



1pc