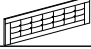




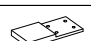

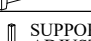
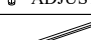





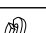
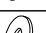
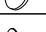


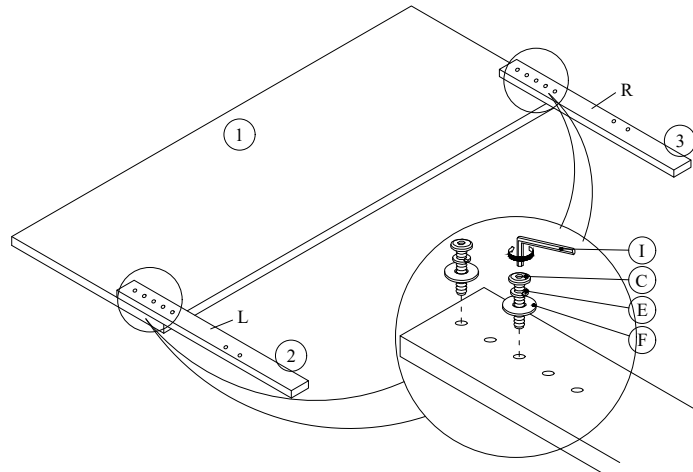


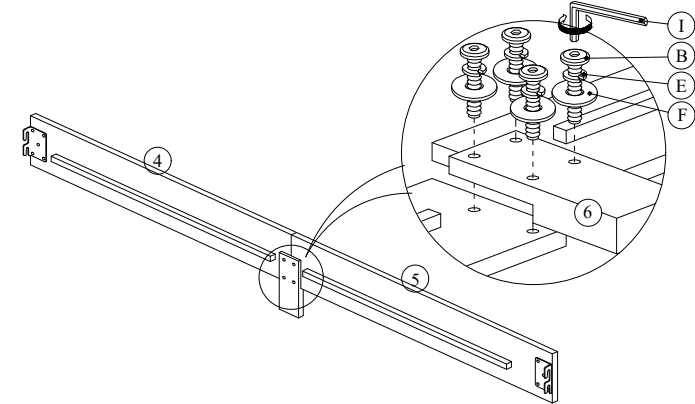
# ASSEMBLY INSTRUCTION

NO.	PART LIST	QTY
1	 HEADBOARD	1PC
2	 HEADBOARD LEG (L)	1PC
3	 HEADBOARD LEG (R)	1PC
4	 SIDE RAIL	2PCS
5	 SIDE RAIL	2PCS
6	 SIDE RAIL SUPPORT LEG	2PCS
7	 FOOT BOARD	1PC
8	 SUPPORT LEGS WITH ADJUSTABLE FEET	8PCS
9	 CENTER SUPPORT	4PCS
10	 SLAT	2SET
ITEM	HARDWARE	QTY
A	 JCBB SCREW M8 x 16mm	8PCS
B	 JCBB SCREW M8 x 25mm	8PCS
C	 JCBB SCREW M8 x 35mm	4PCS
D	 JCBB SCREW M6 x 50mm	8PCS
E	 SPRING WASHER M8 x 13mm	12PCS
F	 FLAT WASHER M8 x 19mm	12PCS
G	 SCREW M4 x 32mm	8PCS
H	 L-KEY M4x65mm	1PC
I	 L-KEY M5 x 65mm	1PC

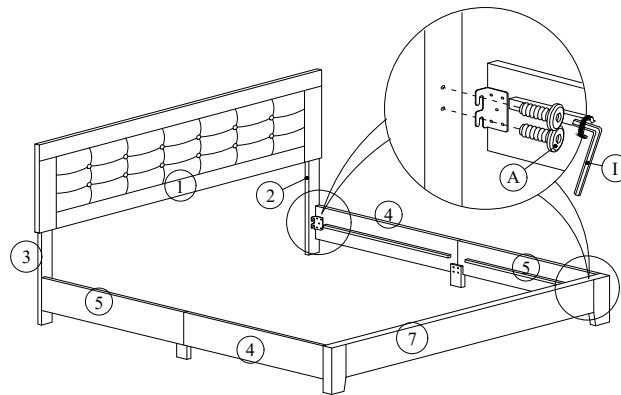
STEP 1



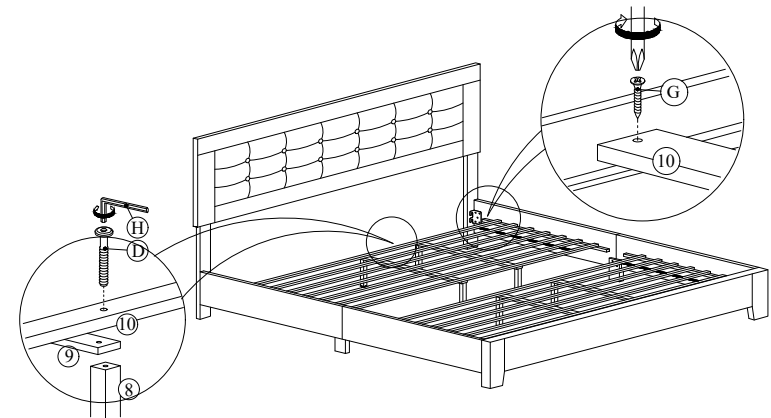
STEP 2



STEP 3



STEP 4



ASSEMBLY COMPLETE

Please do not tighten an the hardware until the entire assembly is completed.