

TROUBLESHOOTING:

PLEASE CHECK THE FOLLOWING BEFORE LODGING A SERVICE REPORT

PROBLEM	REASON	SOLUTION
Fan not moving	<ol style="list-style-type: none">1) Main cables not connected.2) Check the line wires.	<ol style="list-style-type: none">1) Check mains & sub circuit breakers or fuse.2) Check the line wires connections to the fan & switch housing.
Fan noisy	<ol style="list-style-type: none">1) Housing screw loose.2) Wire nut connections rattles against each other.3) Canopy touches the ceiling.	<ol style="list-style-type: none">1) Tighten all screws.2) Separate & store neatly all the wire nut connections.3) Check & ensure the canopy is not touching or too close to the ceiling.
Remote control not working	<ol style="list-style-type: none">1) Remote & receiver code different.2) Battery not installed.3) Weak Battery.	<ol style="list-style-type: none">1) Check that the codes are exactly the same.2) Install the remote control battery.3) Change a new battery.

Instruction Manual

Attention:

This appliance is not intended for use by persons (including Children) with reduced physical, sensory or mental capabilities or lack of experience and knowledge unless they have been given supervision or instruction concerning use of the appliance by a person responsible for their safety. Children should be supervised to ensure that they do not play with the appliance.

MAINTENANCE TIPS:

CONTENTS:

1. Safety Precaution.....	Page 2
2. Fan Structure Drawing	Page 3
3. Installation of Hanging Bracket	Page 4
4. Installation of Downrod / Hanger Ball	Page 5
5. Hanging of Ceiling Fan	Page 6
6. Wiring of Ceiling Fan.....	Page 7
7. Installation of Canopy	Page 8
8. Installation of Fan Blades	Page 8
9. Installation of Lightkits.....	Page 9
10. Installation of Decorative Cover	Page 9
11. Maintenance Tips	Page 10
12. Troubleshooting.....	Page 11

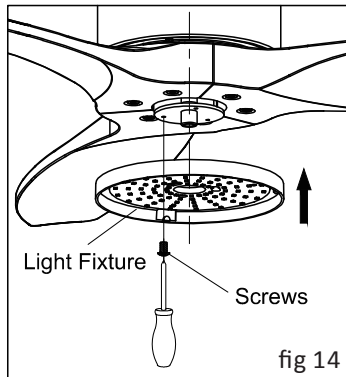
1. Because of the fan's natural movement, some connections may be loose. To check the support connections, brackets and blades attachment 2 times a year. Make sure they are all secured (It is not necessary to dismantle the entire fan from ceiling).
2. Clean your fan periodically to help maintain its appearance over the years. Do not use water when cleaning, use only a soft brush or lint-free cloth to avoid scratching the finish. The plating is coated with a lacquer to minimize the ratio of discoloration or tarnishing which would damage the motor or the wood or possibly cause an electric shock.
3. You can apply a light coat of furniture varnishing to the wood for additional protection and enhance its beauty. Surface scratched mark can be touch-up with a light coat of shoe polish.
4. There is no need to oil your fan. The motor is created with lubricated sealed ball bearings.
5. User are advised to contact the fan supplier to conduct regular examination of the fan suspension system at least once in every two years.

WARNING

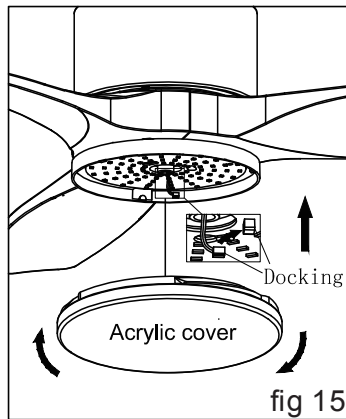
MAKE SURE THE POWER IS SWITCH OFF AT THE ELECTRICAL PANEL BOX BEFORE YOU ATTEMPT TO ANY REPAIRS (REFER TO THIS SECTION), MAKING ELECTRICAL CONNECTIONS.

ASSUREZ-VOUS QUE L'ALIMENTATION EST COUPÉE AU NIVEAU DU BOÎTIER ÉLECTRIQUE AVANT DE TENTER DES RÉPARATIONS (VOIR CETTE SECTION), EN FAISANT DES CONNEXIONS ÉLECTRIQUES.

INSTALLATION OF LIGHTKITS :

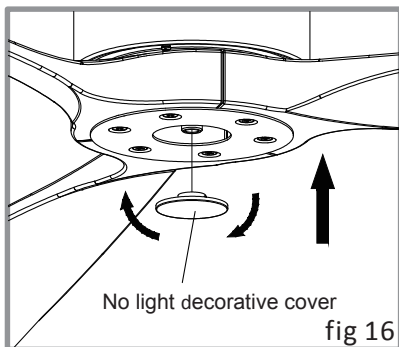


- 1) Remove one screw from the motor round piece, unscrew the other two screws out by 3-4mm. (fig 14)
- 2) Attach the lightkit to the fan, fix the first screw back to the hole and tighten all the three screws firmly. (fig 14)



- 3) Direct plug in the wire to the lightkit docking (connector). (fig 15)
- 4) Attach the lamp cover to the lightkit and twist clockwise until its secured tightly.(fig 15)

INSTALLATION OF DECORATIVE COVER



**If the fan is withlight, please ignore this step*

- 1) Attach the no light decorative cover to the motor shaft and twist clockwise until it's secured tightly.

SAFETY PRECAUTION:

IMPORTANT: PLEASE READ BEFORE INSTALLATION

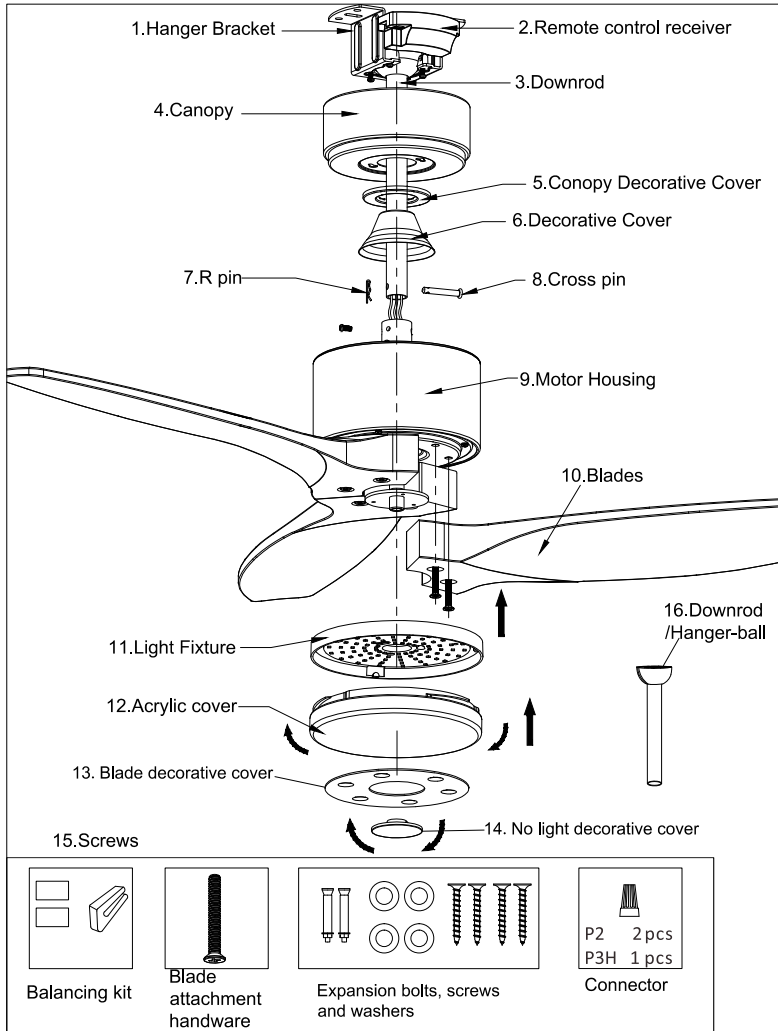
1. The installation work must be carried out by a qualified wiring installer.
 2. Turn off the Electrical Main Switch at the circuit breaker fuse box.
 3. Using power supply 120V~ / 60Hz.
 4. **WARNING:** To Reduce The Risk Of Fire, Electric Shock, Or Personal Injury, Mount To Outlet Box Marked "Acceptable for Fan Support of 15.9 kg (35 lbs) or less" And Use Mounting Screws Provided With The Outlet Box. Most Outlet Boxes Commonly Used For The Support of Luminaires Are Not Acceptable For Fan Support And May Need To Be Replaced. Consult A Qualified Electrician If In Doubt.
 5. **CAUTION:** To Reduce The Risk Of Injury To Persons, Install Fan So That The Blade Is At Least 3.05 Meters (10 Feet) Above The Floor.
 6. Do not operate the reverse switch when the fan is still in motion mode. Wait till it stop completely before switching to reverse mode.
 7. Do not insert any objects in the path of the blades.
 8. When all electrical connection are done, store all wires neatly.
 9. Make sure all screws and connections are tightly screwed and secured.
 10. The supply wires live and neutral must be connected to a double pole switch having a contact of at least 3mm in all poles.
 11. **WARNING:** To Reduce The Risk Of Personal Injury, Do Not Bend The Blade Brackets When Installing The Brackets, Balancing The Blades, Or Cleaning The Fan. Do Not Insert Foreign Objects In Between Rotating Fan Blades.
 12. **WARNING -** To Reduce The Risk Of Electric Shock, This Fan Must Be Installed With An Isolating Wall Control/Switch.
 13. **CAUTION:** To Reduce The Risk Of Electric Shock, Disconnect The Electrical Supply Circuit To The Fan Before Installing Light Kit.
- ATTENTION:** pour réduire le risque de blessures corporelles, installez le ventilateur de manière à ce que la lame se trouve à au moins 3,05 mètres (10 pieds) au-dessus du sol.
- AVERTISSEMENT:** pour réduire le risque d'incendie, de choc électrique ou de blessure, montez sur la boîte de sortie marquée « Acceptable pour un support de ventilateur de 15,9 kg (35 lb) ou moins » et utilisez les vis de montage fournies avec la boîte de sortie. La plupart des boîtiers de sortie couramment utilisés pour le support des luminaires ne sont pas acceptables pour le support des ventilateurs et peuvent devoir être remplacés. Consultez un électricien qualifié en cas de doute.

WARNING

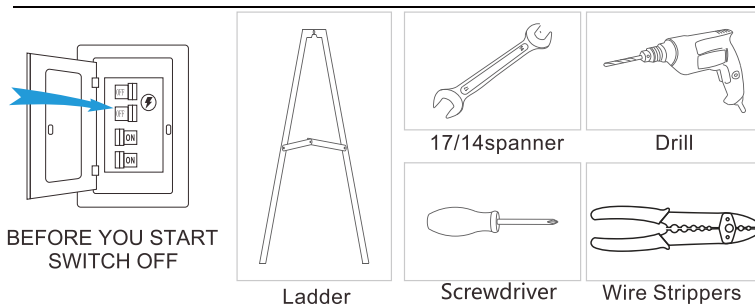
TO REDUCE THE RISK OF PERSONAL INJURY, DO NOT BEND THE BLADES BRACKETS DURING ASSEMBLY OR AFTER INSTALLATION. DO NOT INSERT ANY OBJECTS IN THE PATH OF THE BLADES.

TO REDUCE THE RISK OF SHOCK, THIS FAN MUST BE INSTALLED WITH AN ISOLATION WALL CONTROL / SWITCH.

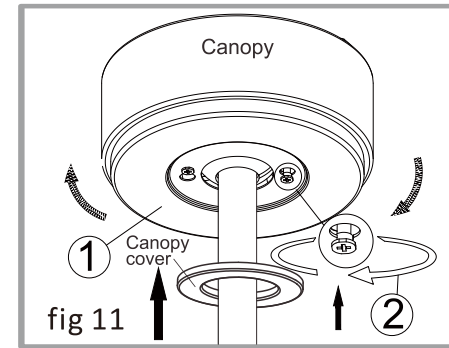
FAN STRUCTURE DRAWING:



TOOLS THAT MAY BE USED DURING INSTALLATION :



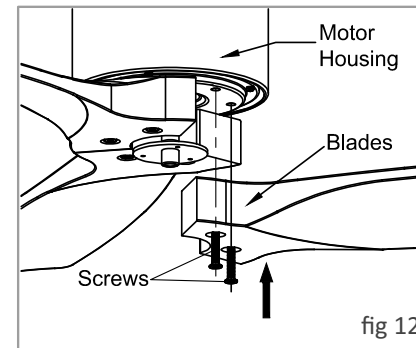
INSTALLATION OF CANOPY:



- 1) After done up the wiring, attach the canopy to the hanger bracket by pushing up and twist to locate screws in the two key holes.(fig 11)
- 2) Tighten the two screws firmly.
- 3) Attach the canopy cover with magnet to the canopy .(fig 11)

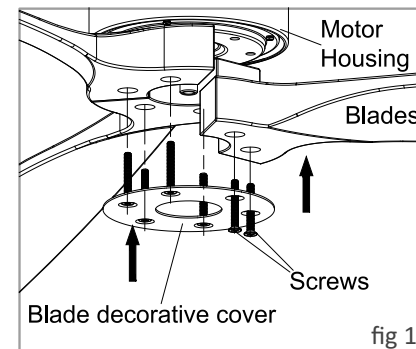
INSTALLATION OF FAN BLADES:

***Please choose one way to install the Blades**



1. The fan with lightkit:

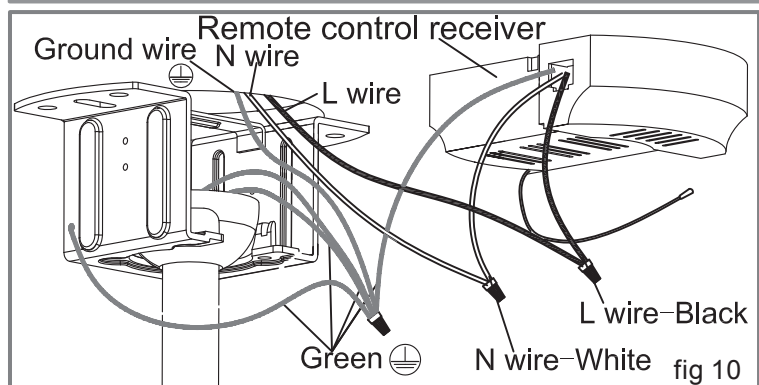
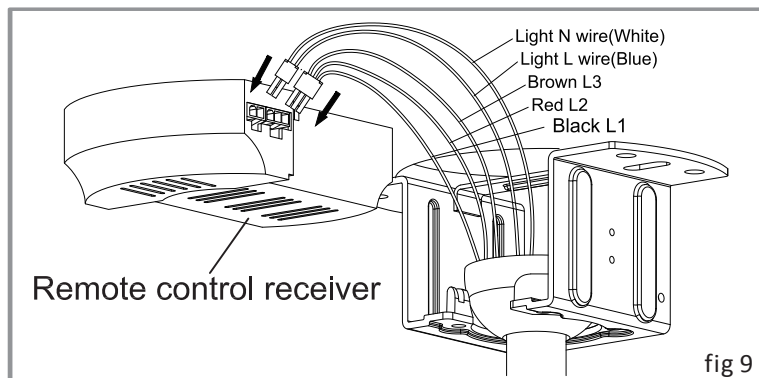
- 1) Attach the blade to the motor, and tighten the two screws firmly. (fig 12)
- 2) Repeat the steps 1 to install all the three blades and tighten all the screws firmly.



2. The fan without lightkit:

- 1) Attach the blade to the motor, then attach the Blade decorative cover to the Blade and tighten the two screws firmly. (fig 13)
- 2) Repeat the steps 1 to install all the three blades and tighten all the screws firmly.

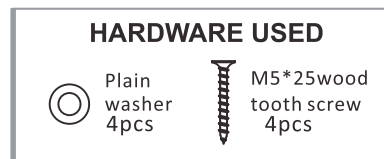
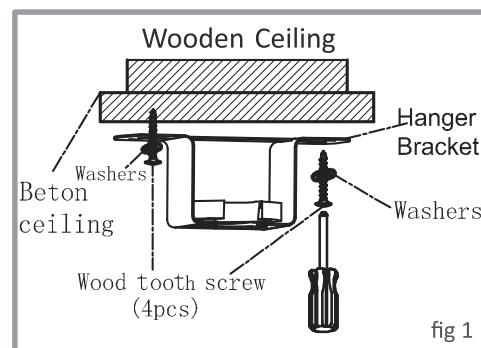
WIRING OF CEILING FAN:



The installation is to be in accordance with the National Electrical Code ANSI/NFPA 70 and local codes.

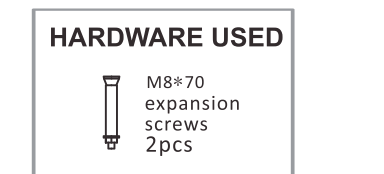
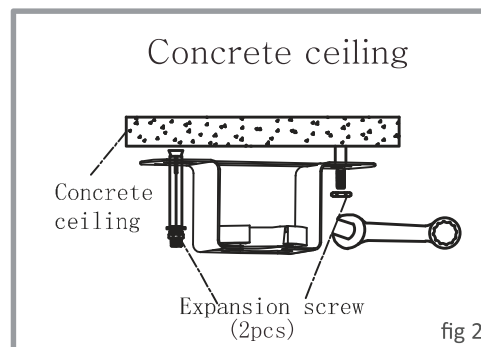
- 1) Total three groups wires from the top of the motor:
 - *white, blue wires with small connector -for lightkit (Only for the fan with light)
 - *Black(L1),Red(L2),Brown(L3) wires with big connector-live wire for fan
 - *Green/Yellow-ground wire
- 2) Plug the connector from the motor into the remote control receiver: big Connector to the big Socket & small Connector to the small Socket (Do not connect the small connector for fan without lightkit)
- 3) Connect motor, hanger bracket, hanger ball, Green/Yellow wires and remote control receiver wires to AC wires: White to Neutral, Black to Live, Green/Yellow to Ground.
- 4) Earth wire is longer than safety cord by 60mm and more. When the failure of the suspension system occurs, the current carrying conductor taut before the earthing conductor and the body of the fan assembly is still effectively earthed.

INSTALLATION OF HANGING BRACKET:



Wooden Ceiling:

To use Four Wood tooth screws to install the hanger bracket firmly.(fig 1)

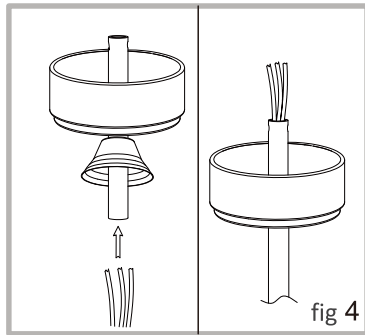
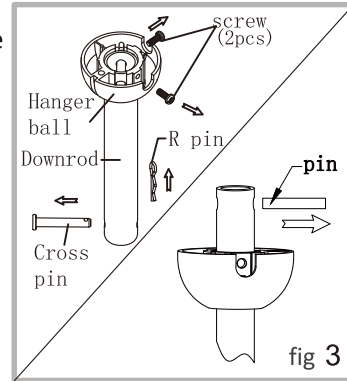


Concrete ceiling:

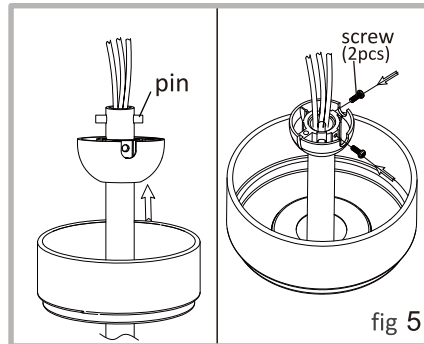
To use Two Expansion screws to install the hanger firmly.(fig 2)

INSTALLATION OF DOWNROD / HANGER BALL:

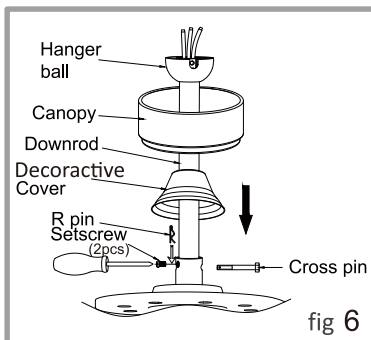
1. Remove the screw and pin from the hanger ball; Remove the "R" pin and cross pin from the downrod. (fig 3)



2. Choose suitable downrod, Put the canopy and the decorative cover into the downrod, then thread the wire through the downrod. (fig 4)



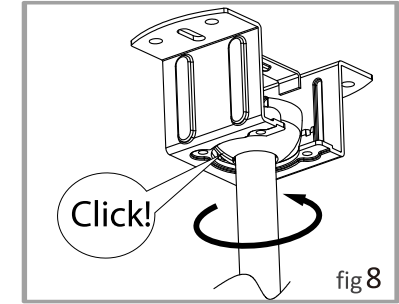
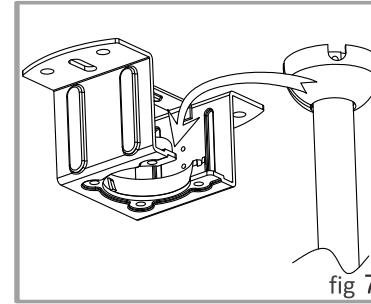
3. Install back the screws and pin to the hanger ball, ensure to fasten the screws. (fig 5)



4. Loosen the two setscrews in the downrod support (NOTE: The two setscrews above are used to secure the downrod. The two screws below are used to secure the central spindle, please do not loosen), Insert the downrod into the connector. Install back the cross pin and secured with the "R" pin. (Note: The wire will block the cross pin slightly) Fasten back the two setscrews. (fig 6)

The "R" pin must be properly installed to prevent the cross pin from working loose.

HANGING OF CEILING FAN:



Carefully lift the fan and assemble into hanger bracket which is attached to the outlet box. Ensure the rod ball's groove is lined up with tab on the hanger bracket.