

## AFTERSALE SERVICE

Dear customer,

Thank you so much for purchasing the product from us, we really appreciate your support.

We are aimed to provide the best shopping experience to our customers. We also want to build a mutually beneficial relationship with our customers, and step further to make our brand both reliable, responsible and recommendable.

We hope that our products could meet your needs and expectations, please consider us again if you need more products for your home and kitchen.

The package would be out of our control during shipping, please contact us through your purchasing channel directly if there is anything wrong with the box or contents. We are always here offering you our service.

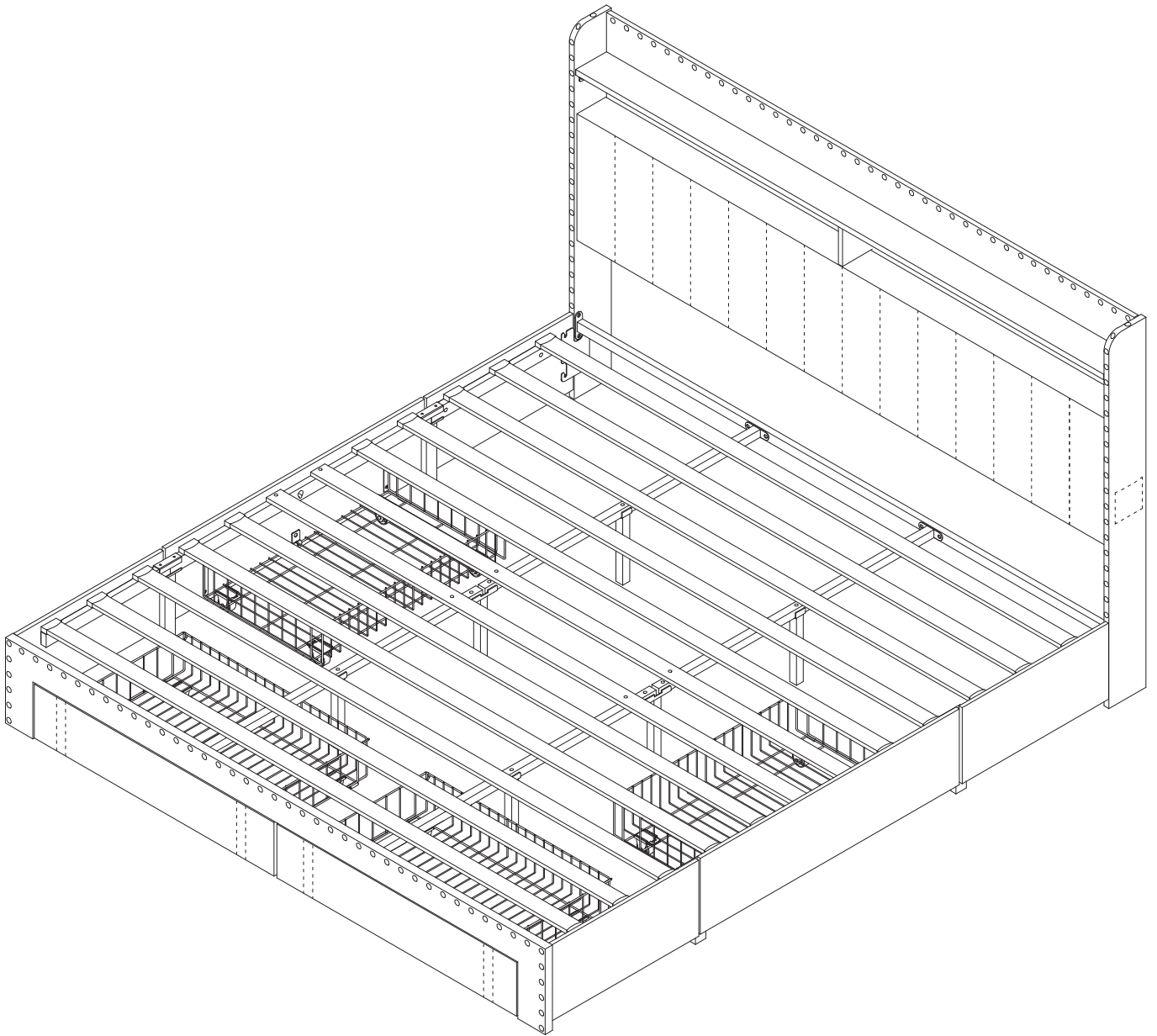
We will reply your messages within 24 hours, please kindly wait for the response from our professional service team.

Your comfort and contentment are of utmost importance.

Best Regards,

Customer Care Specialist

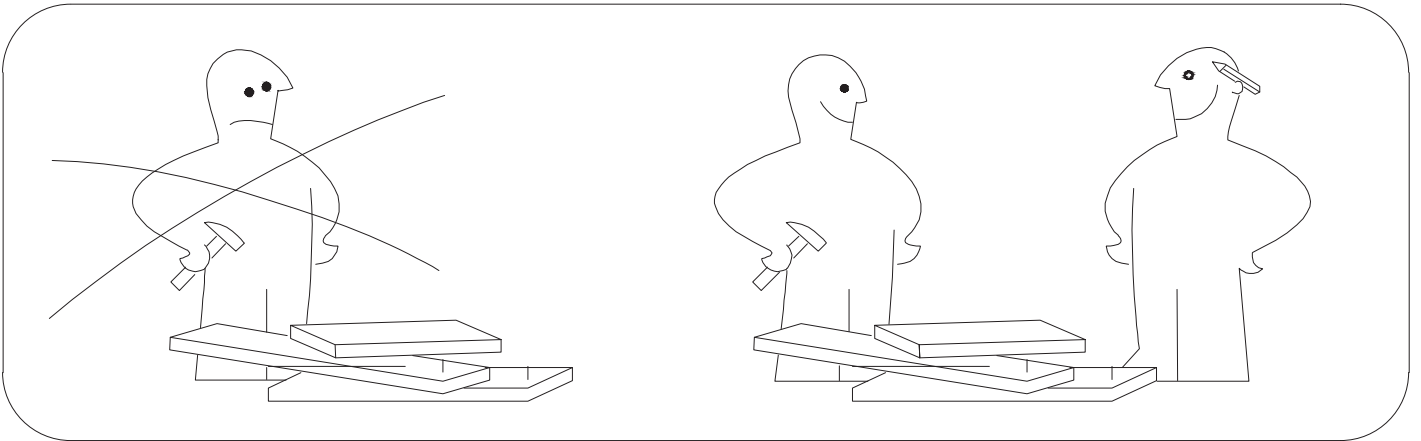
# ASSEMBLY INSTRUCTION



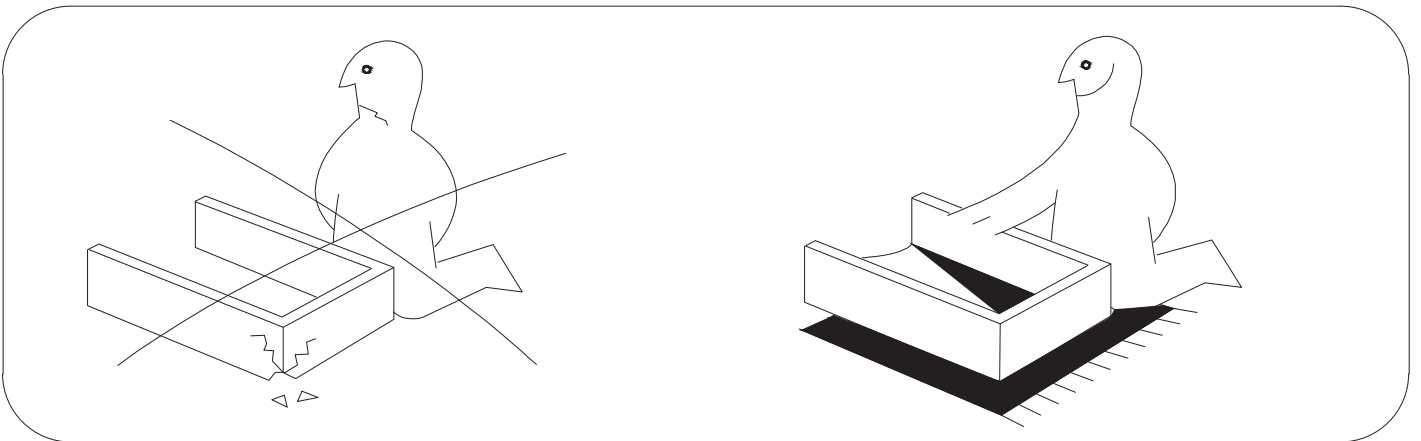


# WARNING

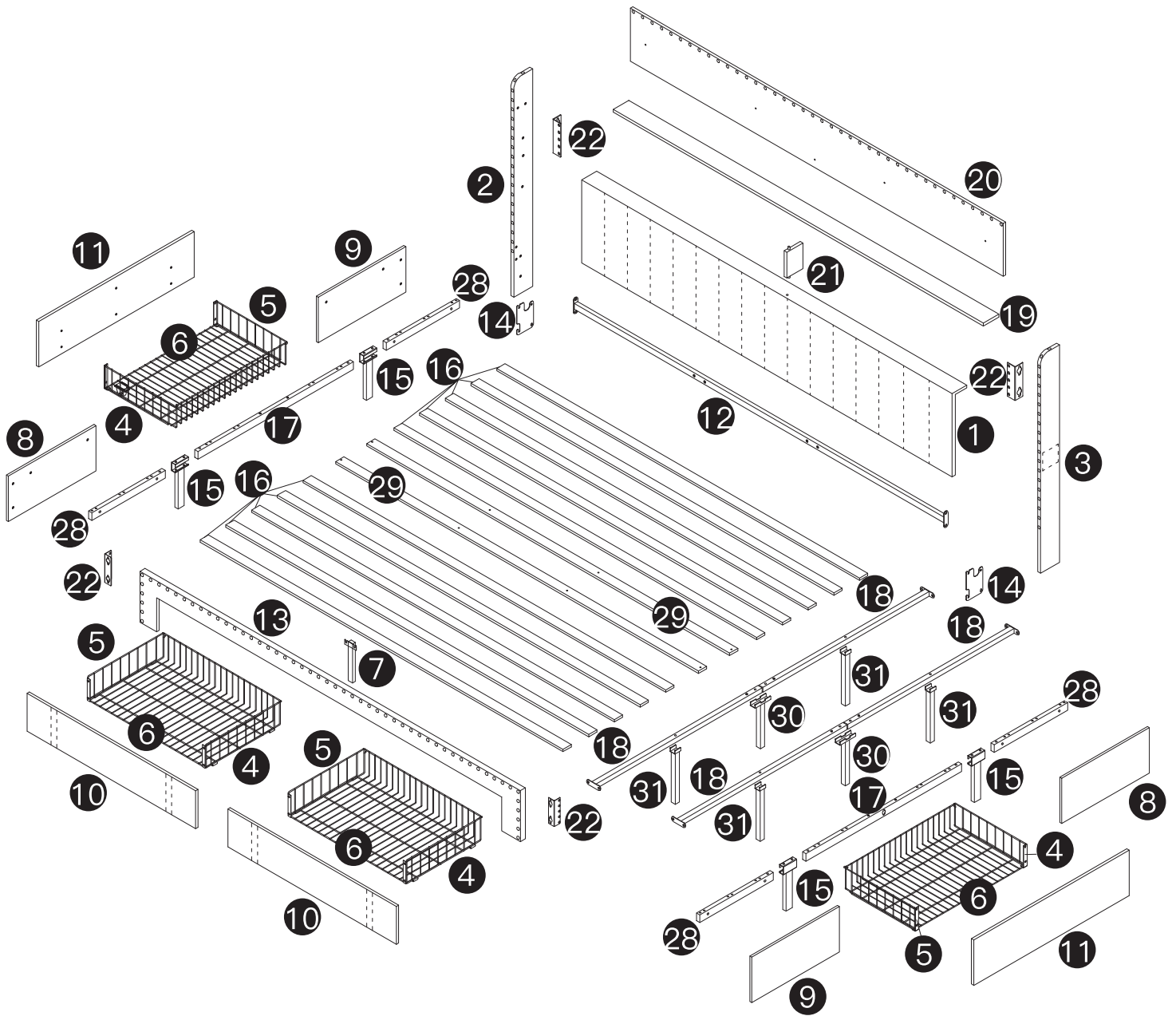
Need Two Or More People To Complete



Assemble Item On a Clean Flat Surface



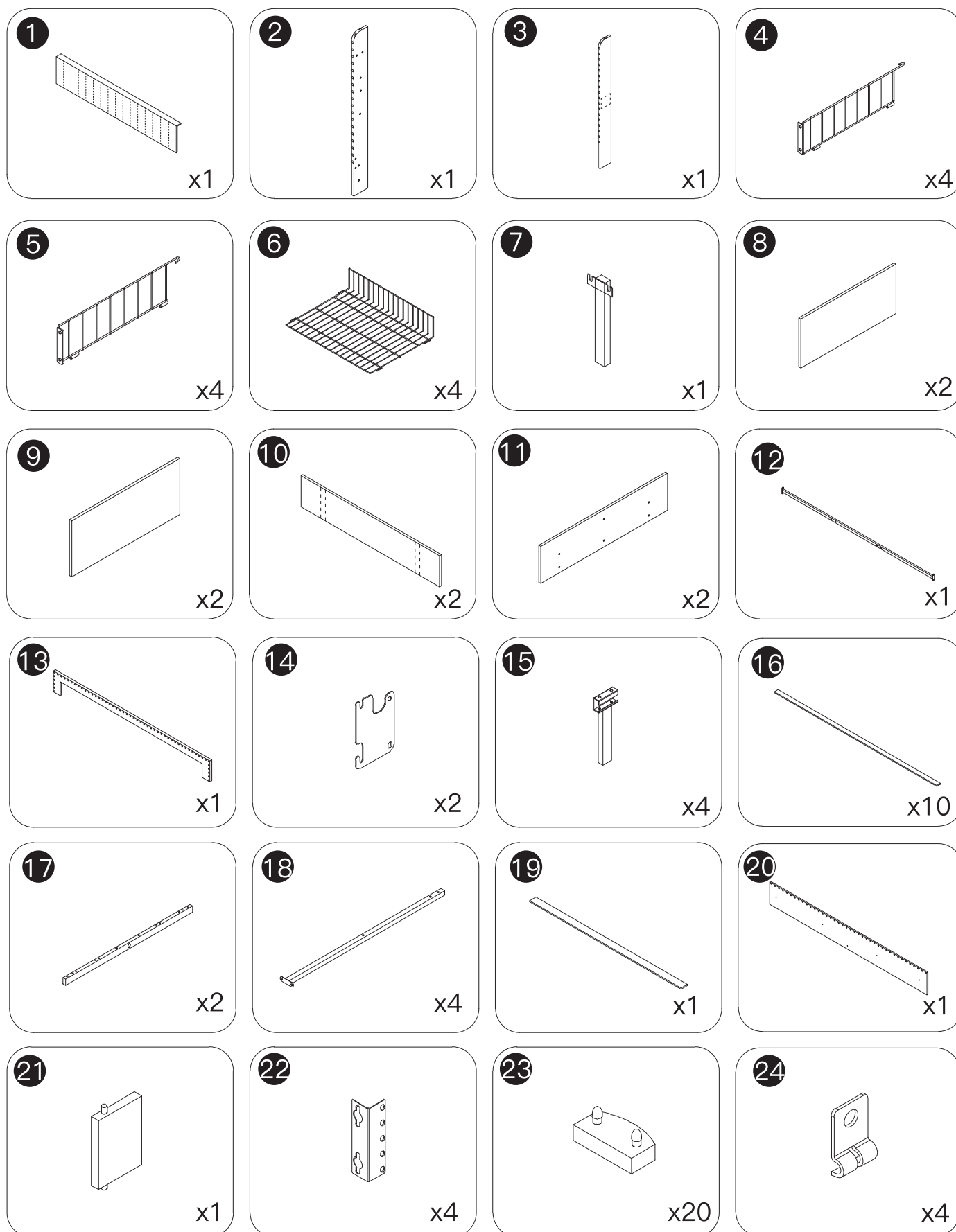
- Please check you have all hardware before assembling.
- Please ensure you have the name of the item and hardware part required and quantity.
- If you have any questions, please contact us by original purchase platform.  
we will reply you ASAP.

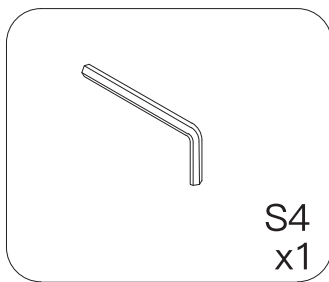
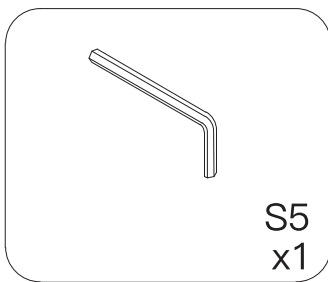
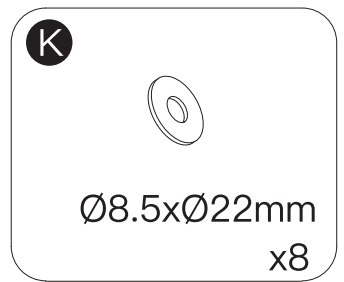
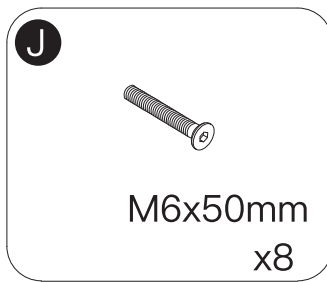
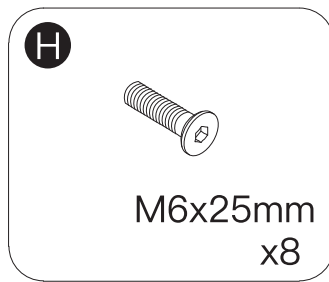
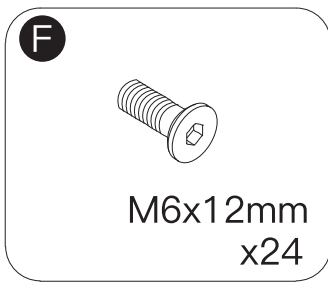
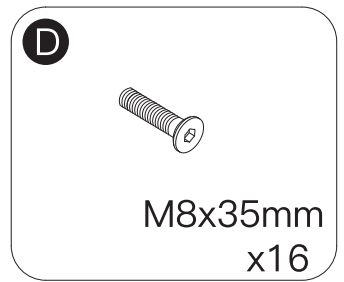
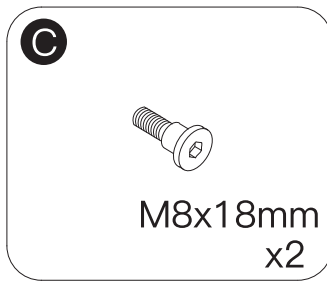
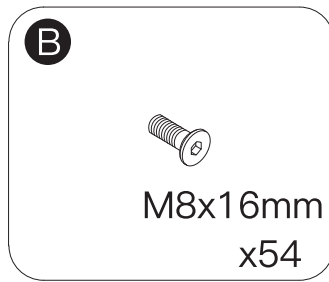
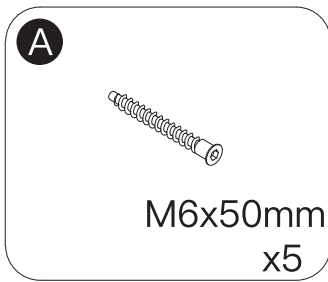
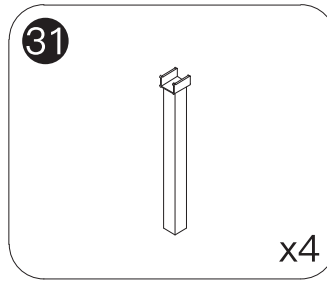
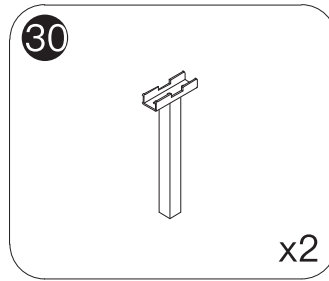
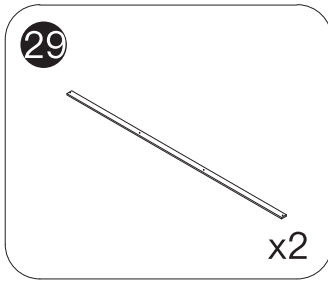
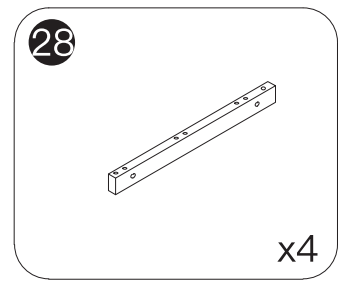
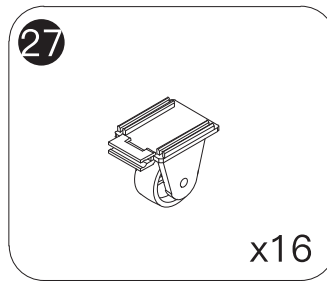
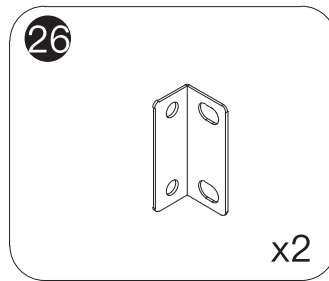
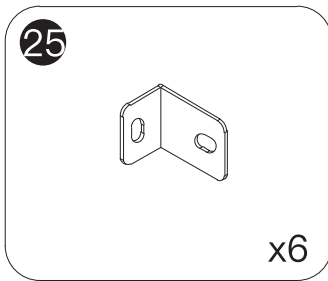


Please check all parts and accessories according to the parts list before assembling, make sure all contents are sufficient and in good condition.

If there is any parts missing or defective, please contact us with purchase platform message immediately to get replacement parts.

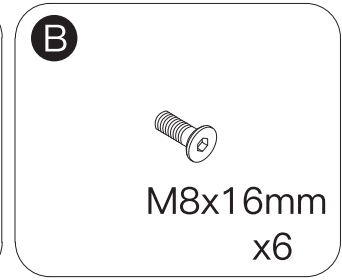
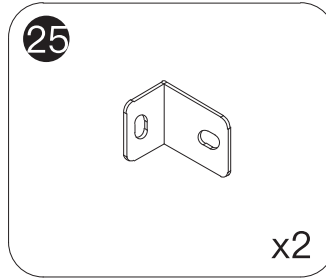
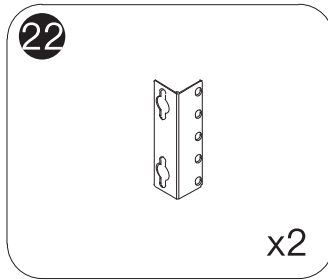
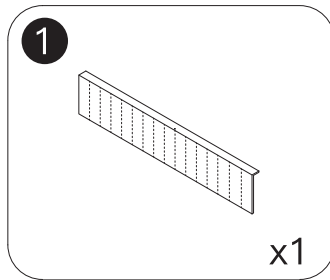
## PARTS:





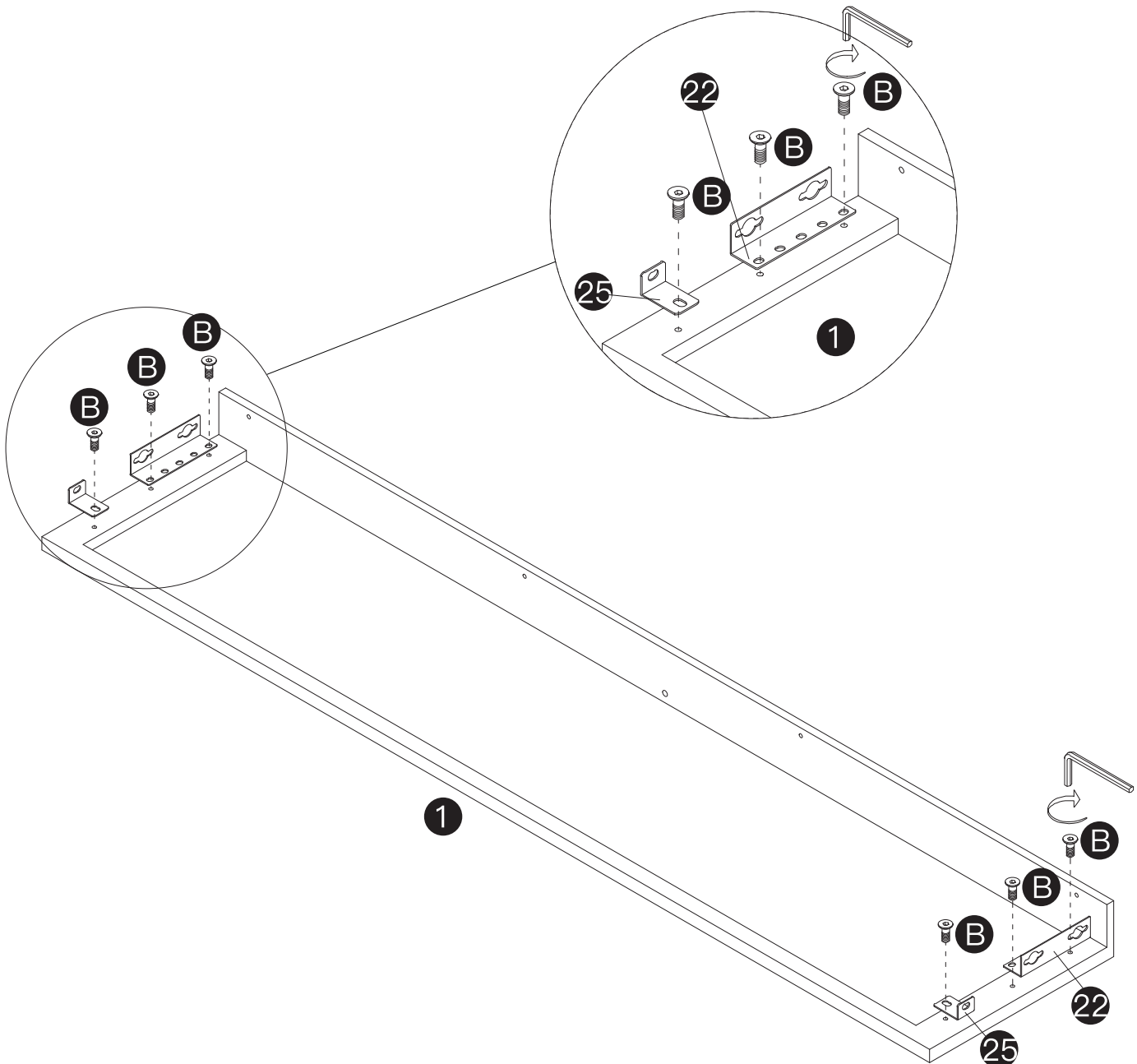
# HOW TO INSTALL

## STEP 1

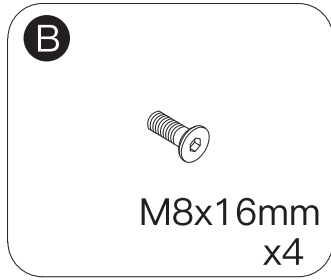
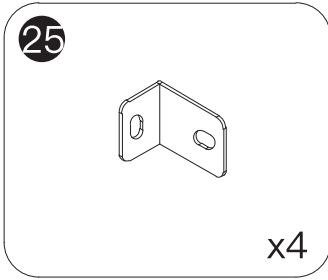


### NOTICE:

Make sure the longer side of part 25 is installed on part 1.

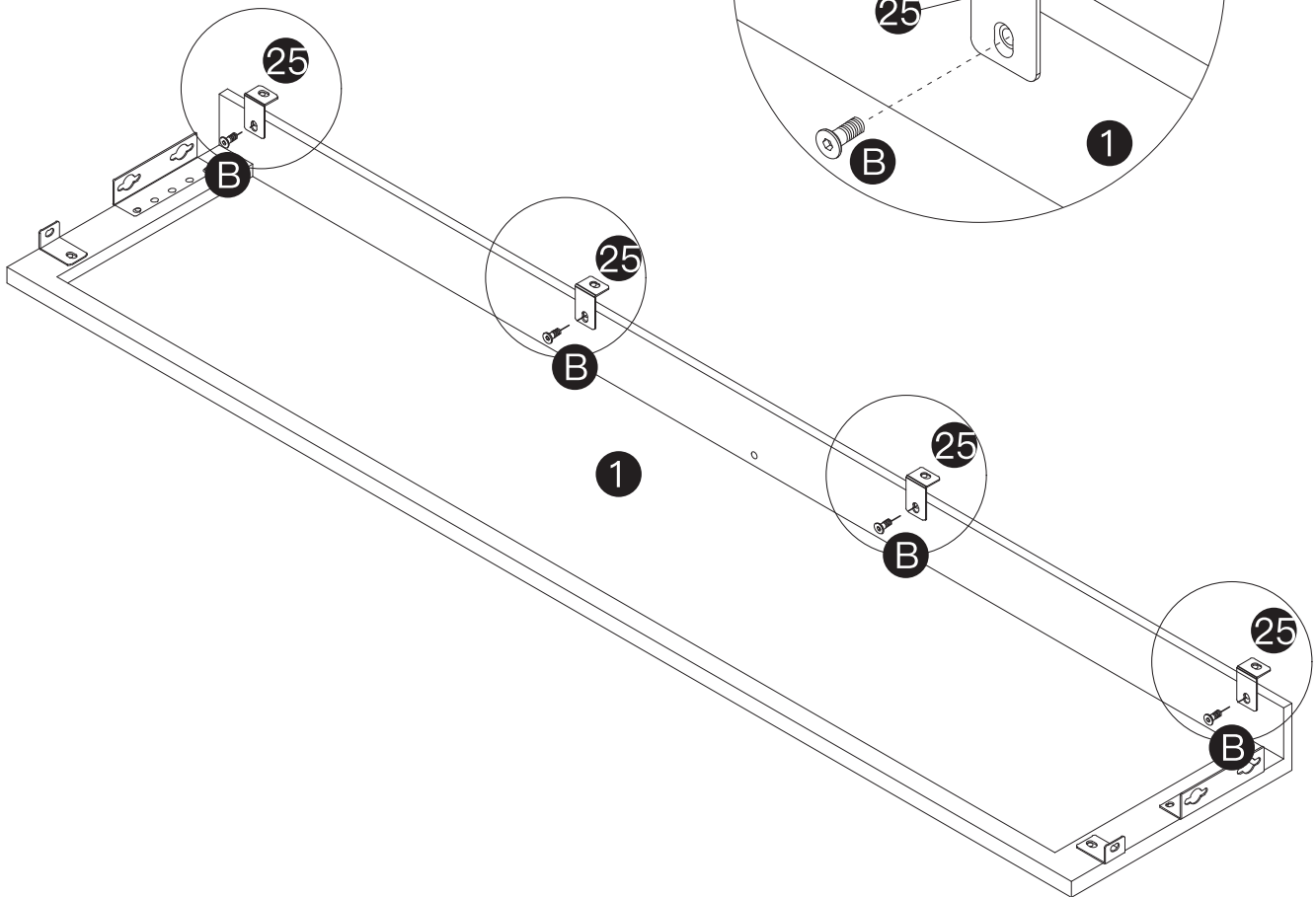
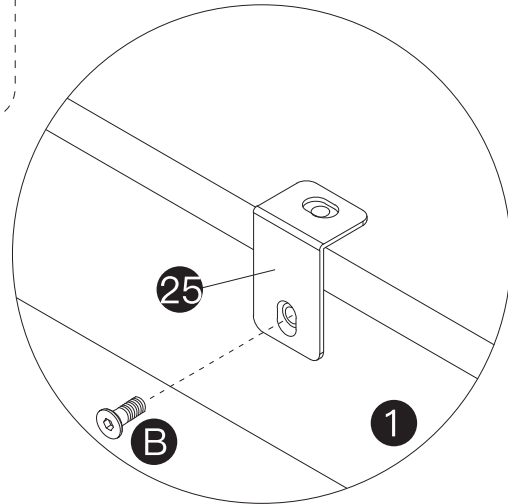


# STEP 2

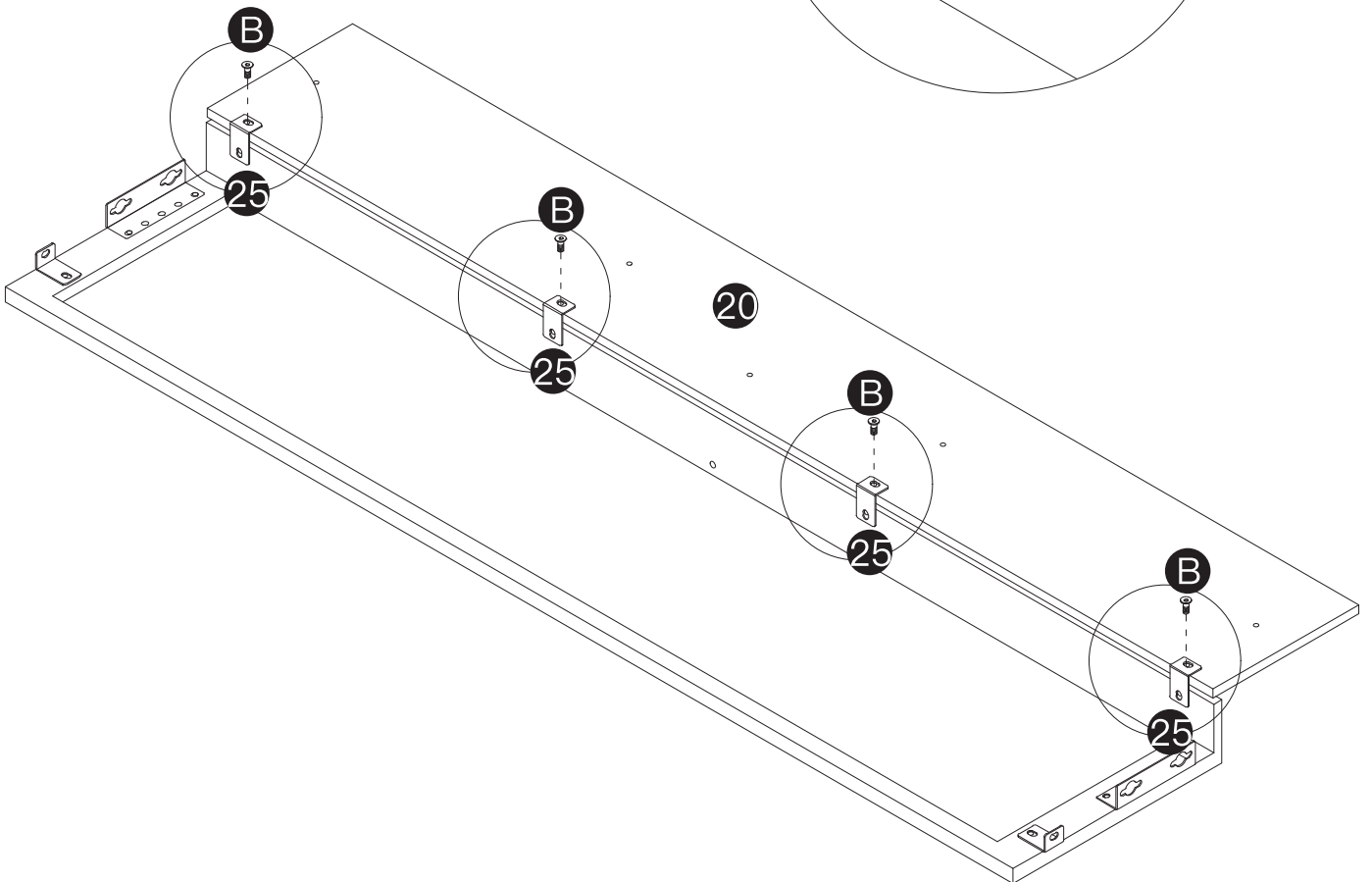
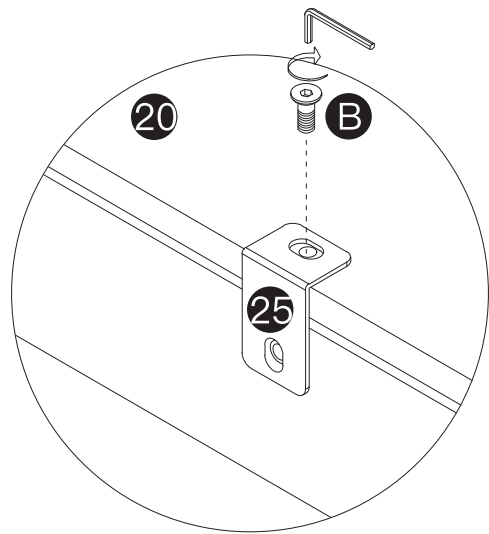
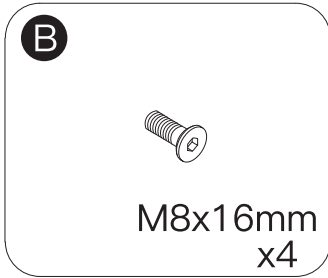
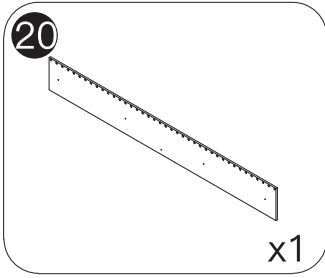


## NOTICE:

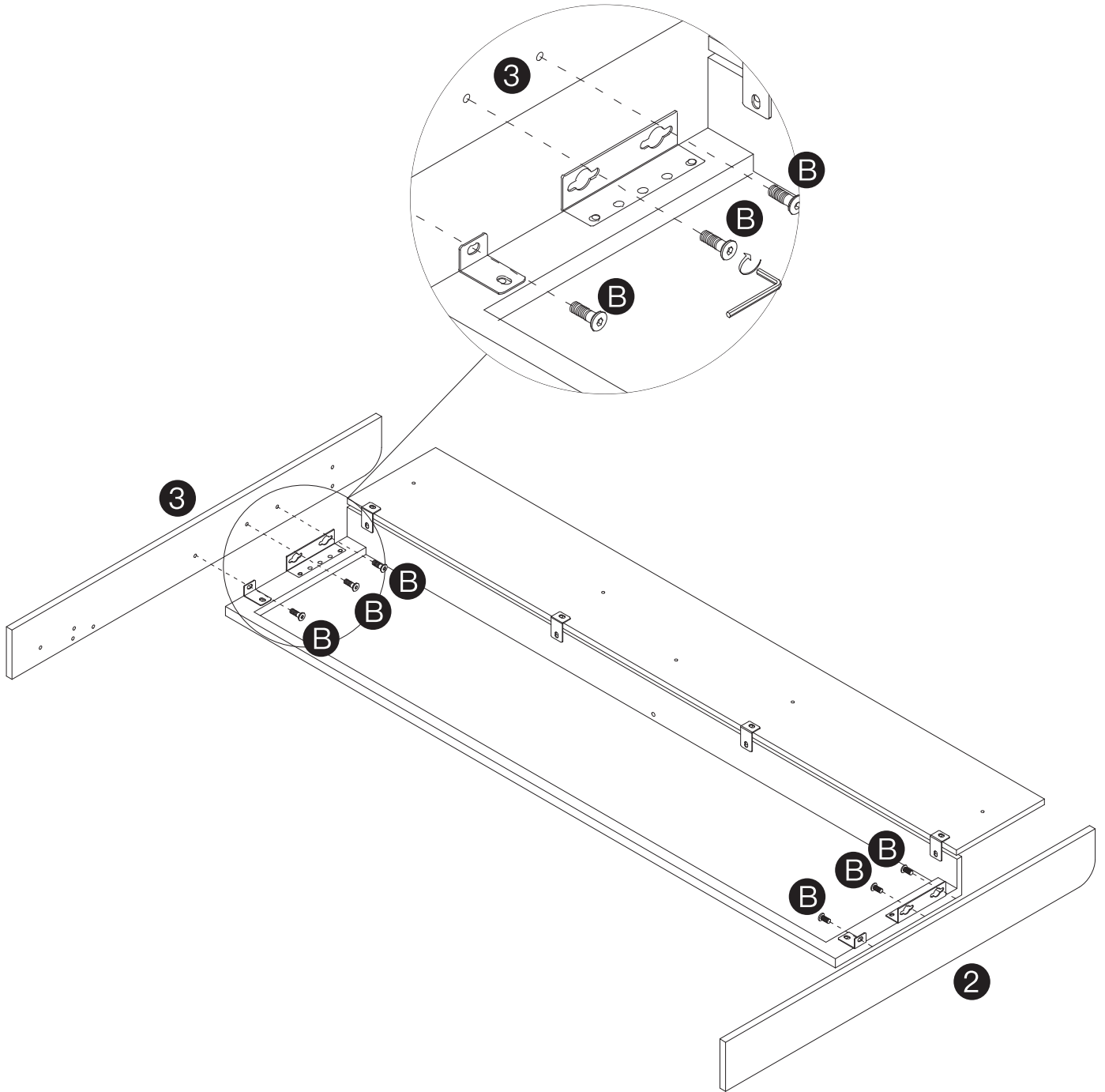
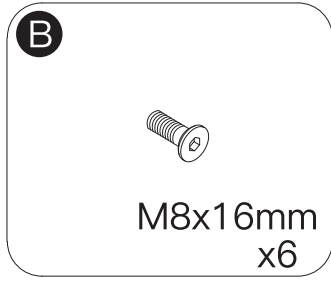
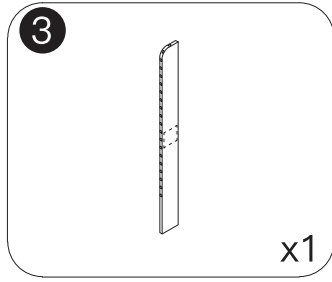
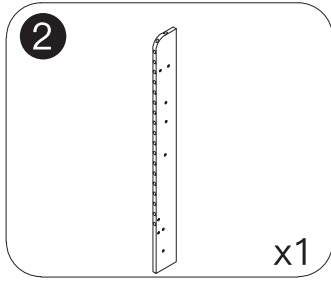
Make sure the longer side of part 25 is installed on part 1.



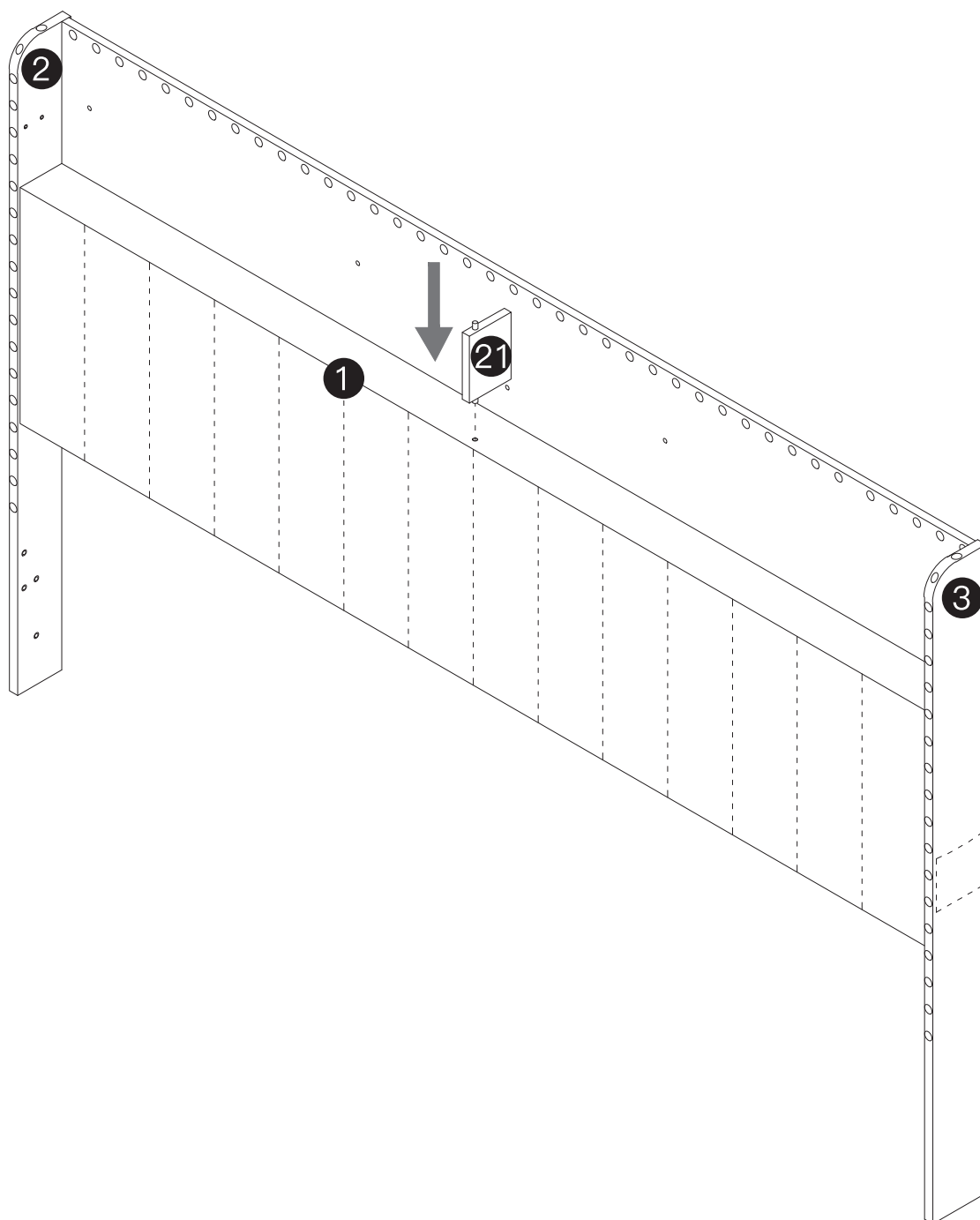
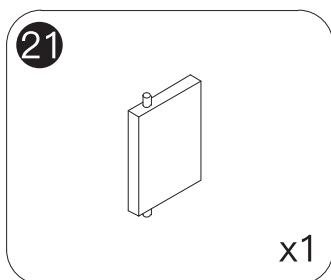
# STEP 3



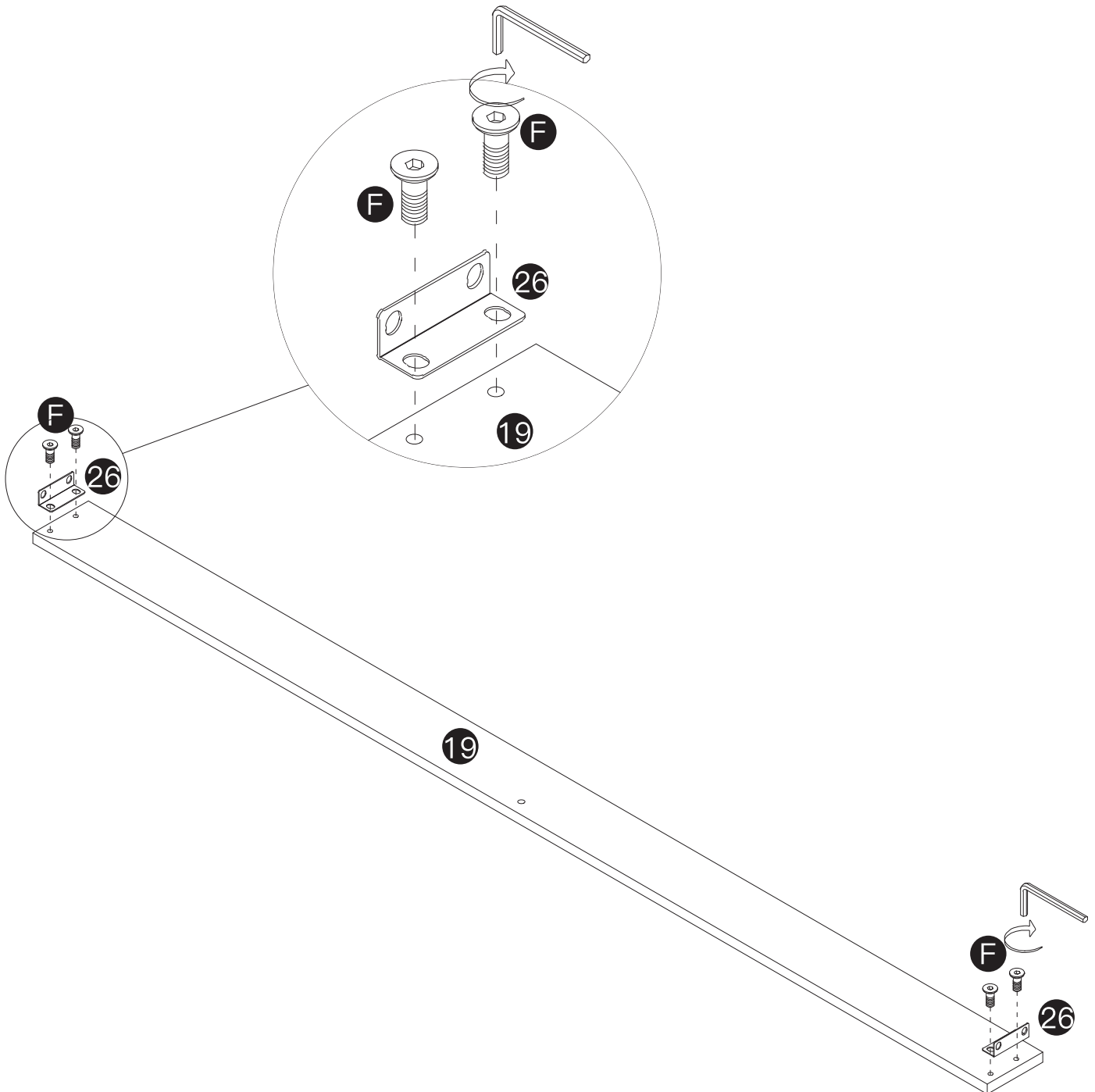
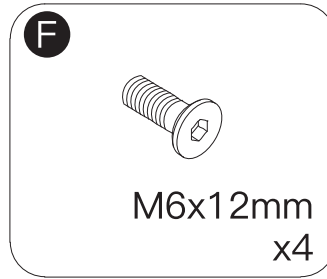
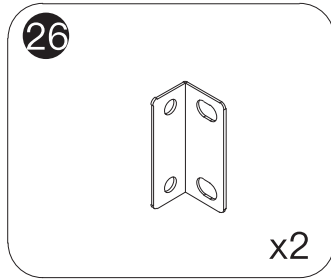
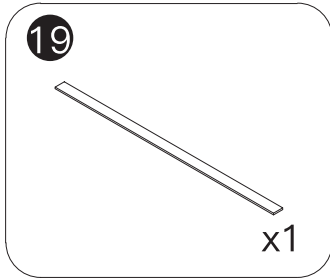
# STEP 4



# STEP 5



# STEP 6

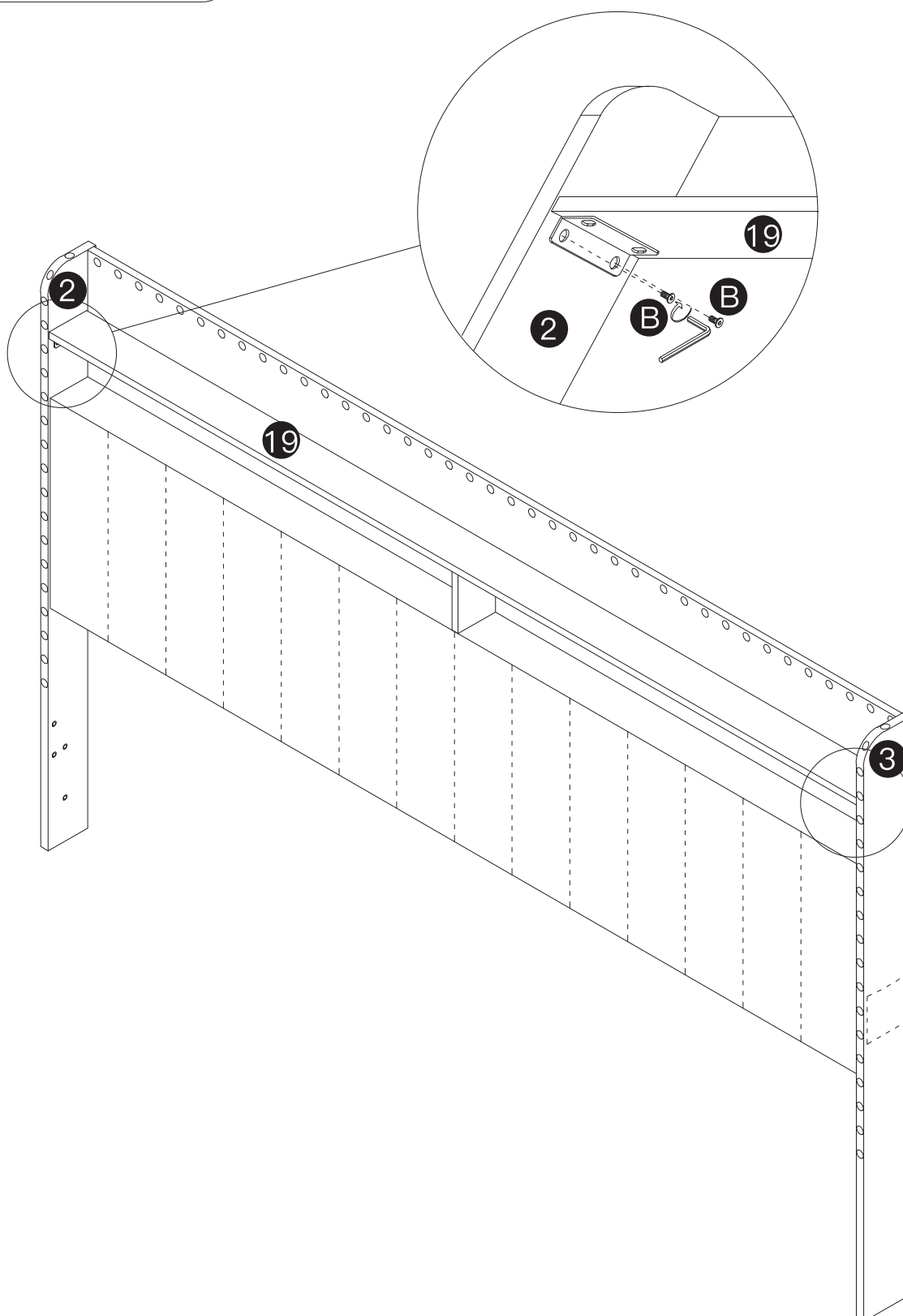


# STEP 7

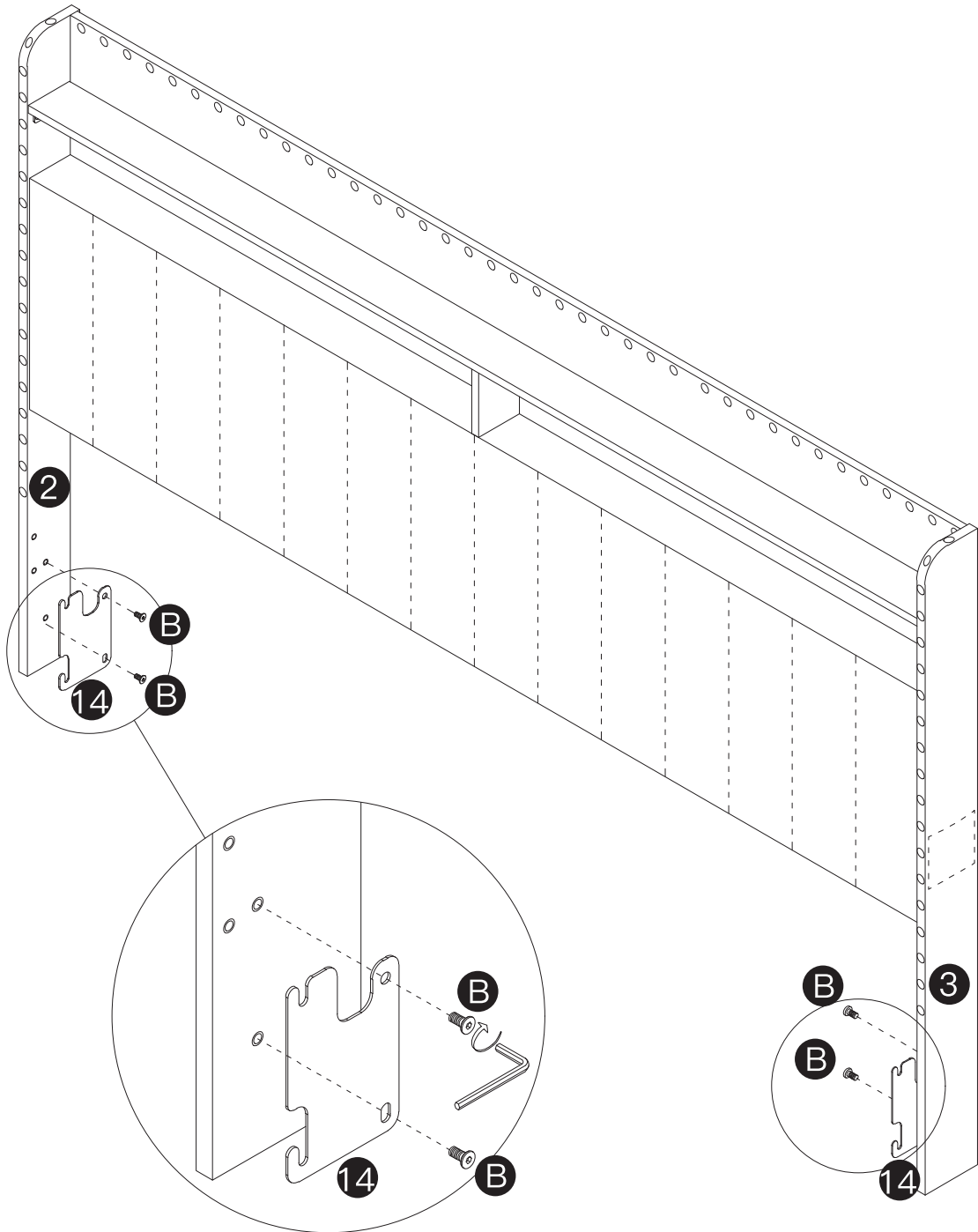
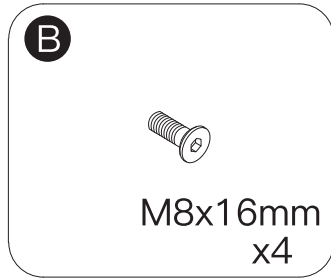
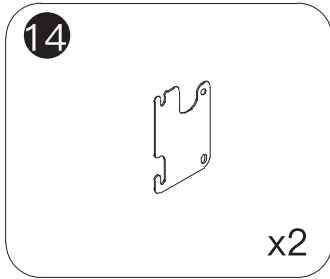
**B**



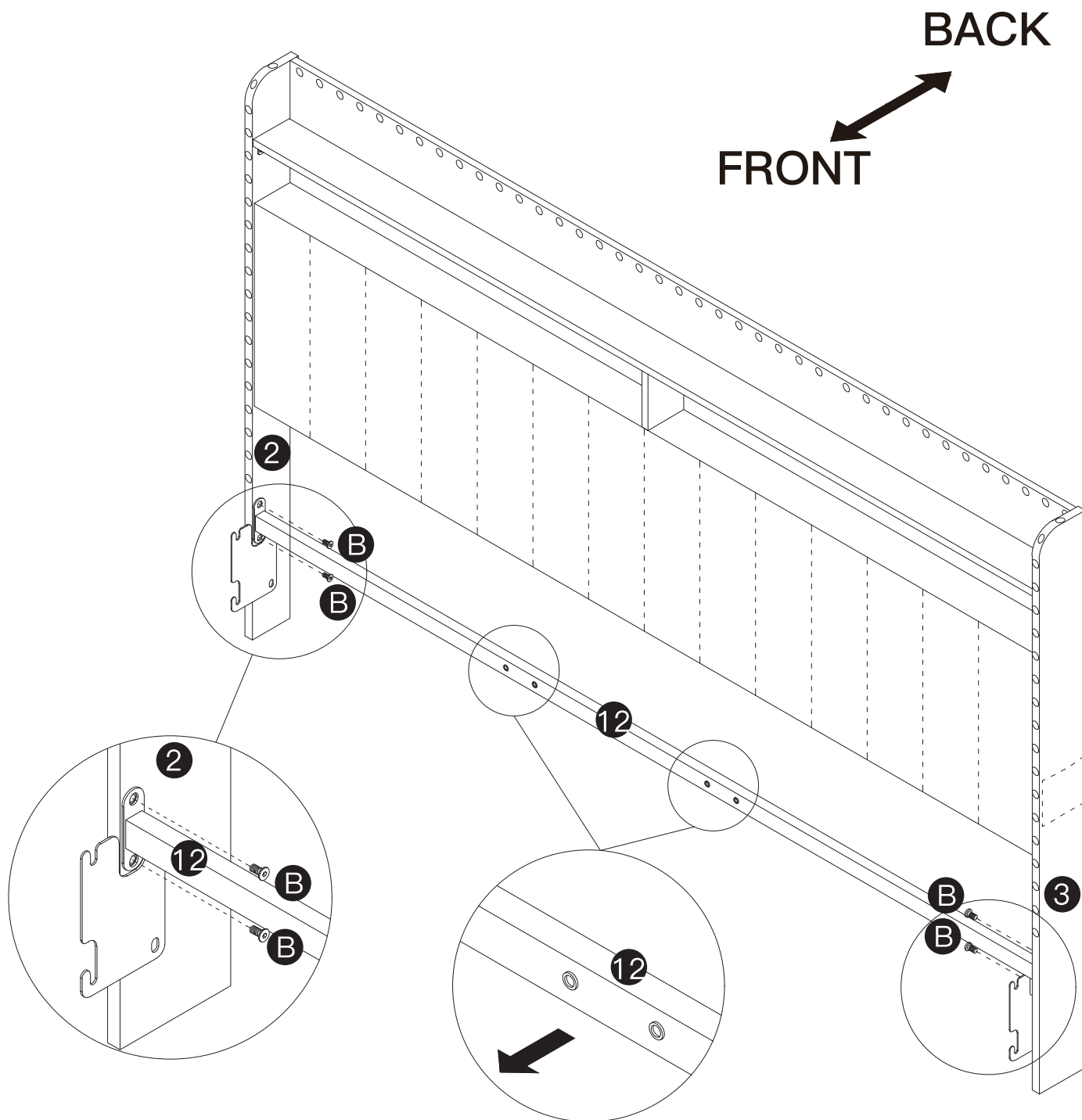
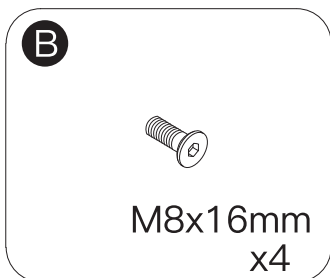
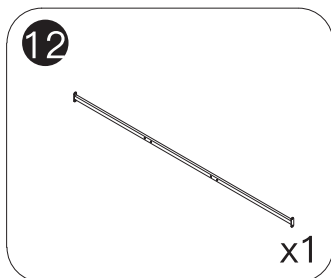
M8x16mm  
x4



# STEP 8



# STEP 9

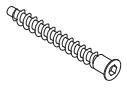


**NOTICE:**

Make sure the two holes in part 12 are facing forward.

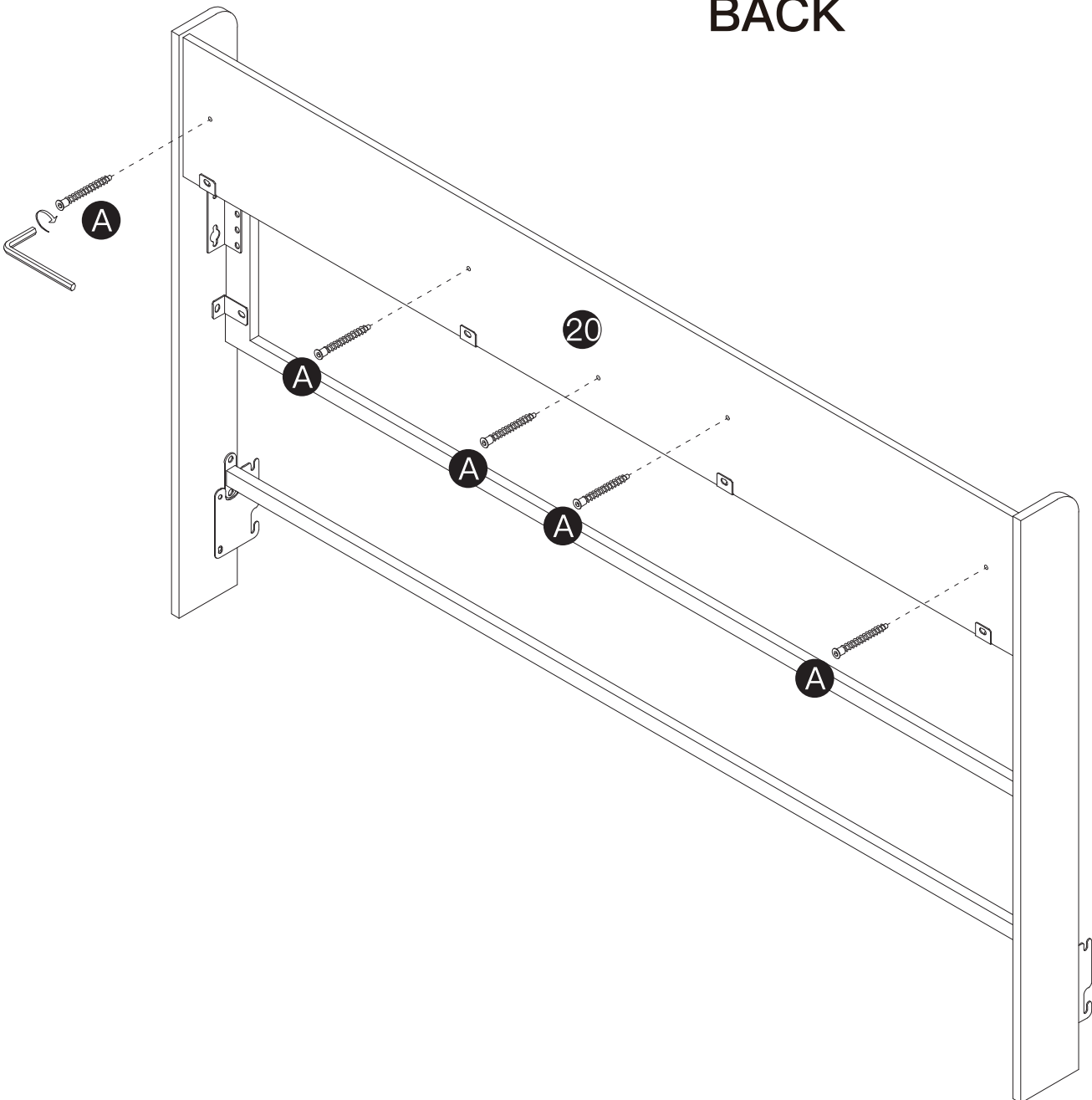
# STEP 10

A

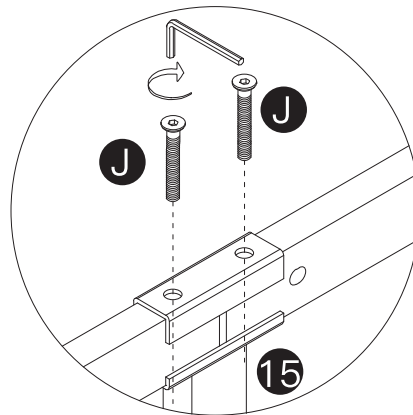
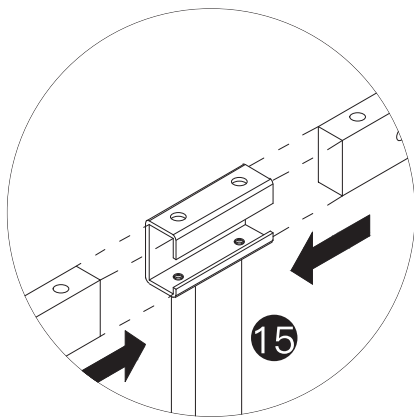
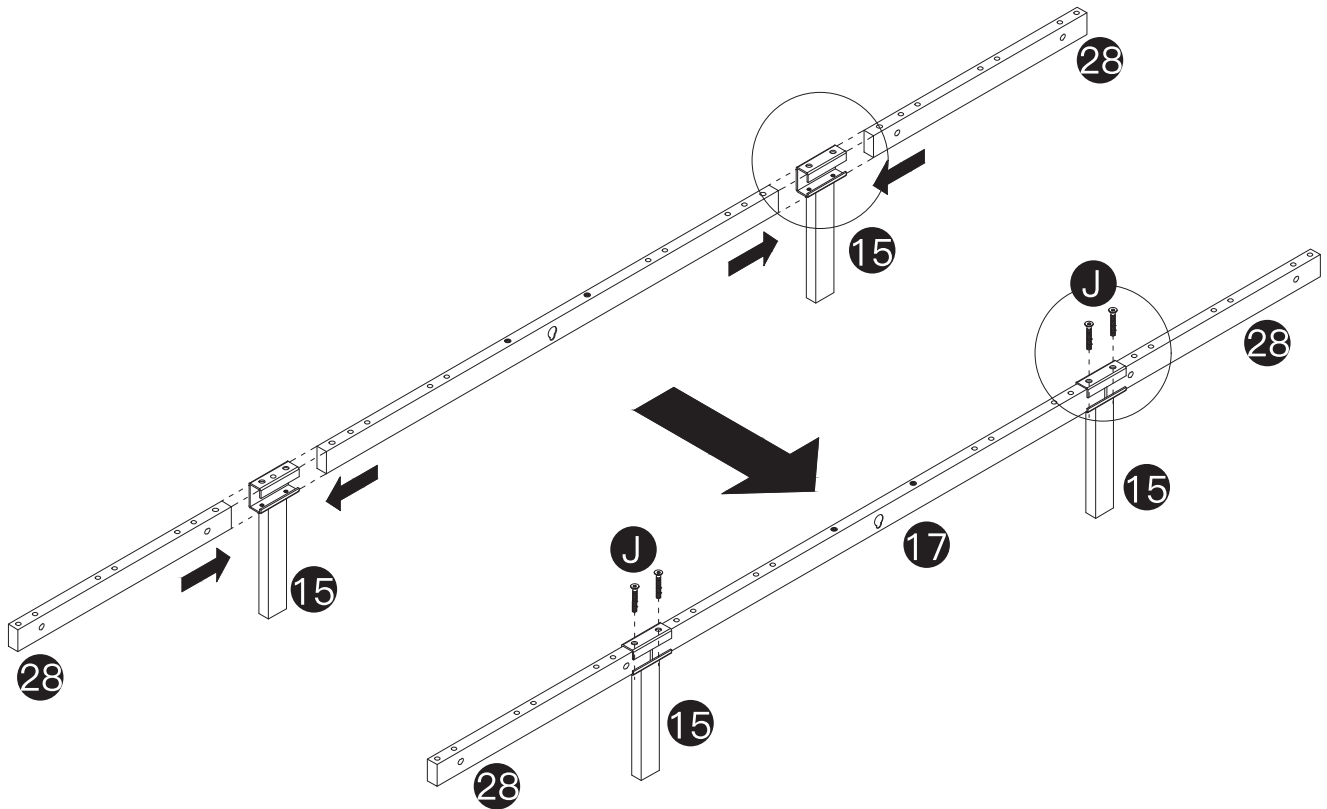
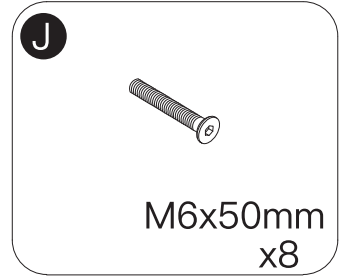
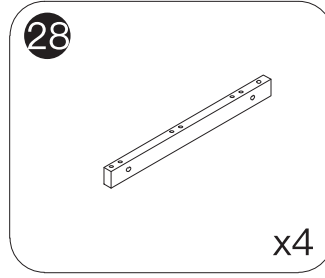
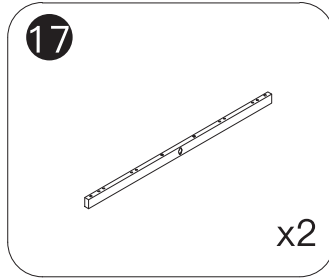
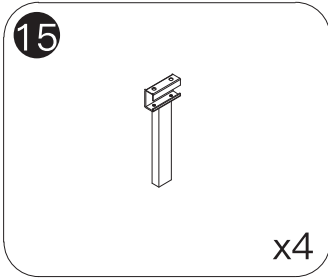


M6x50mm  
x5

FRONT  
BACK

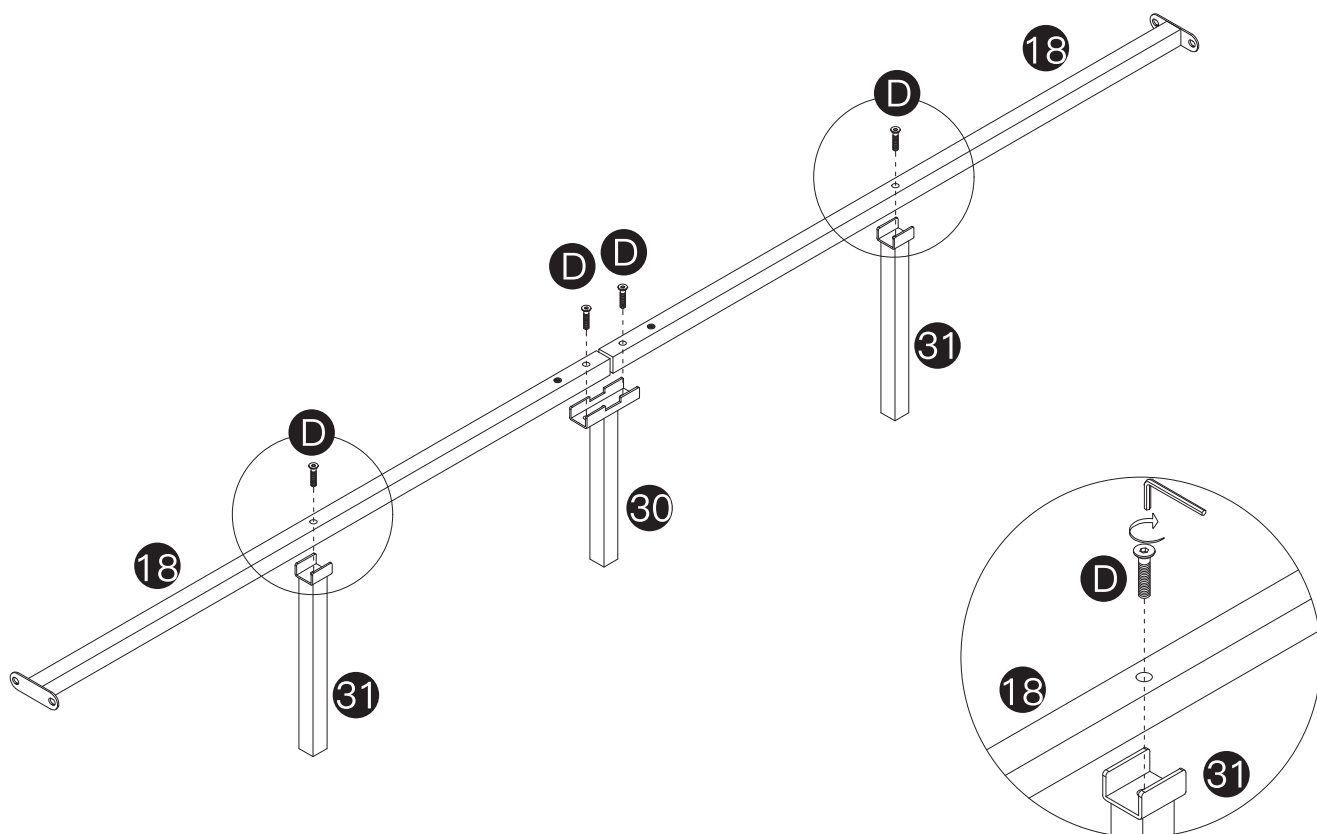
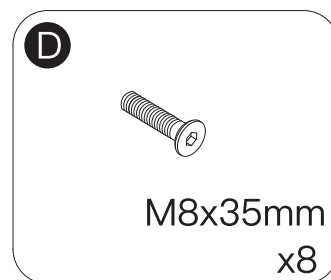
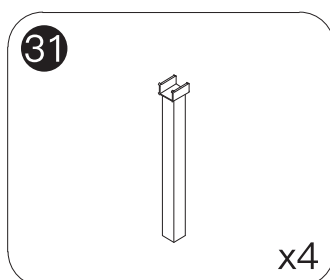
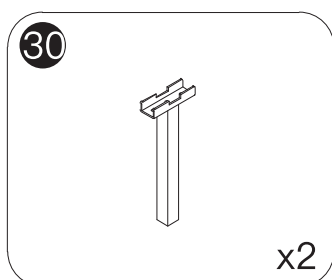
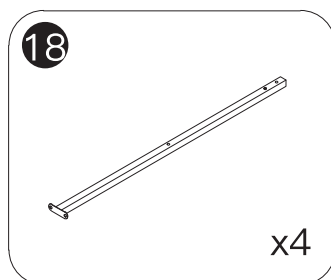


# STEP 11



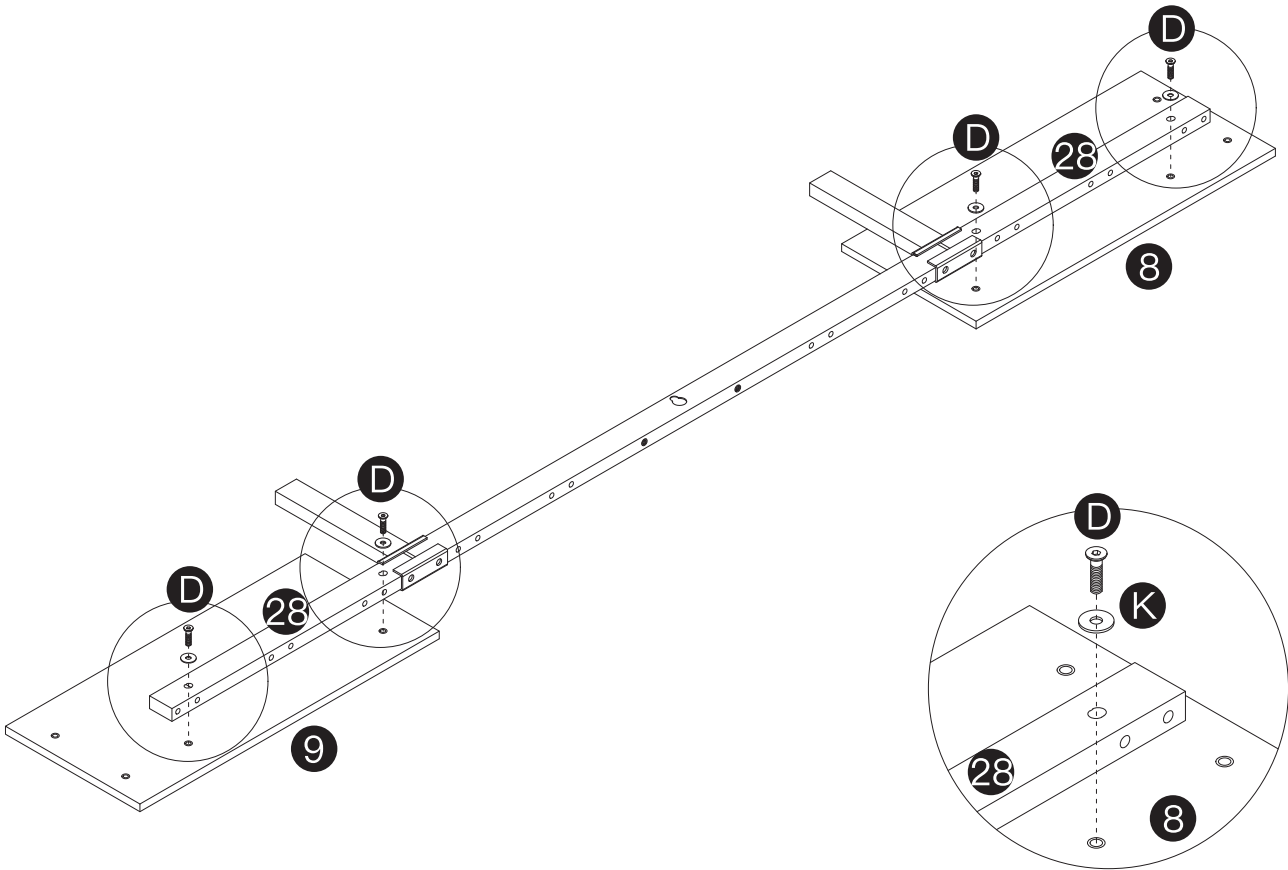
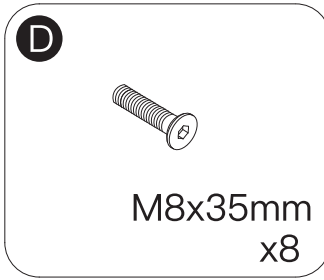
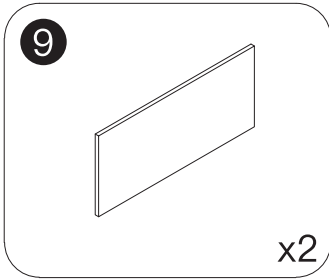
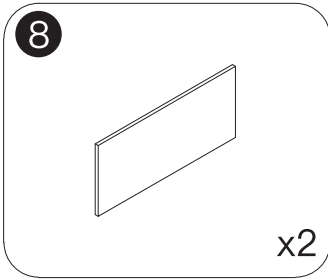
x2

# STEP 12



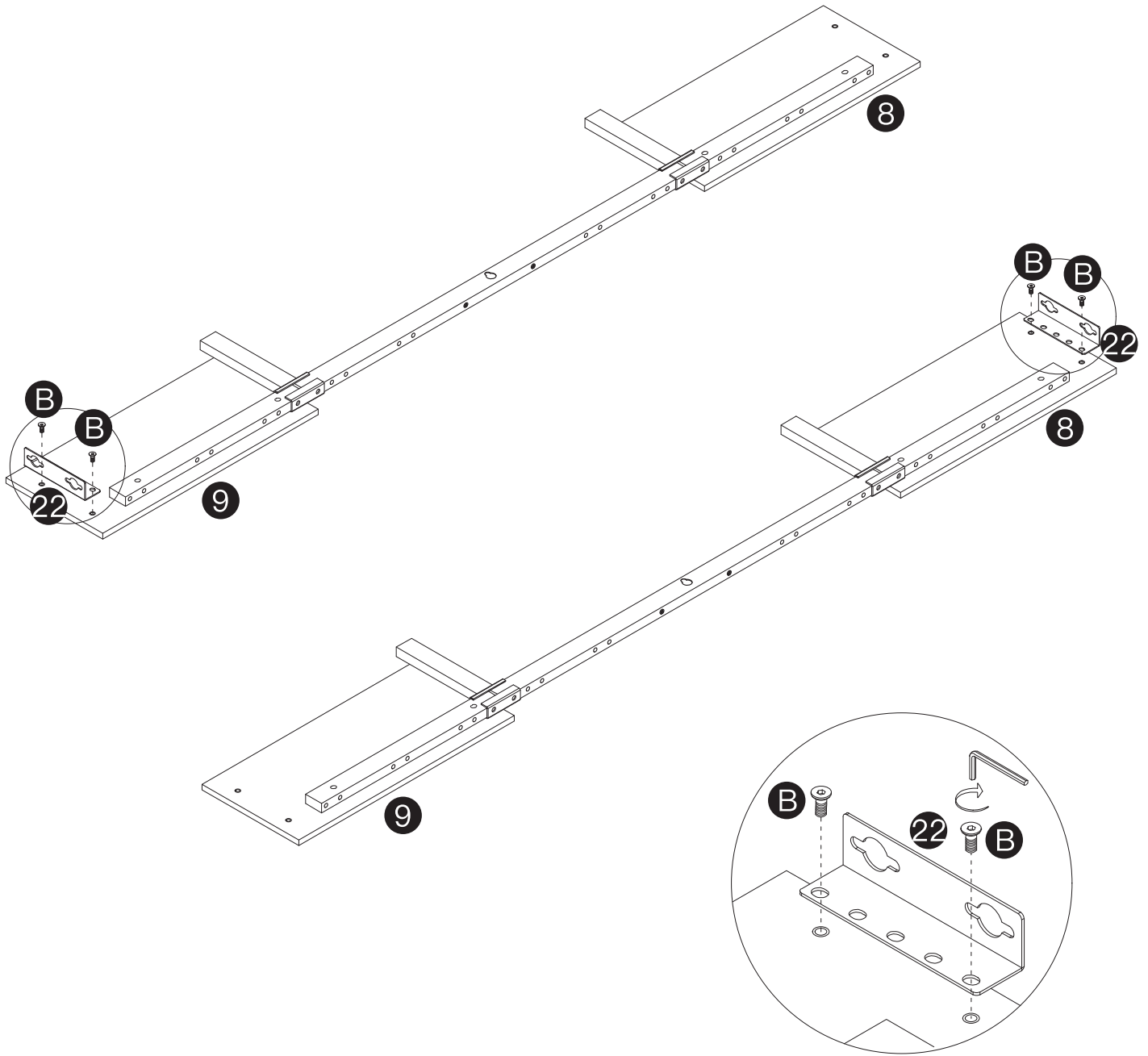
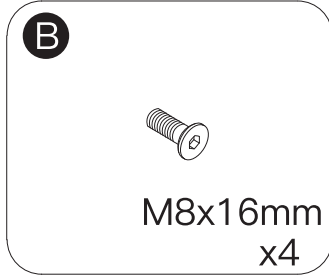
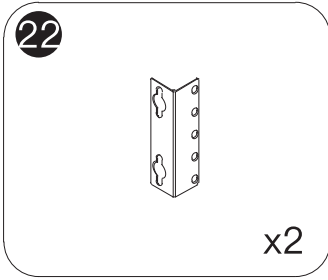
x2

# STEP 13



x2

# STEP 14

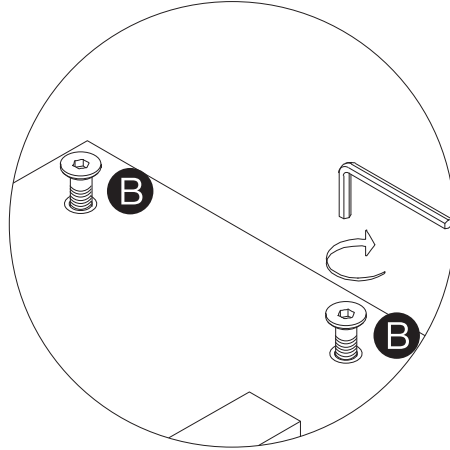


# STEP 15

**B**

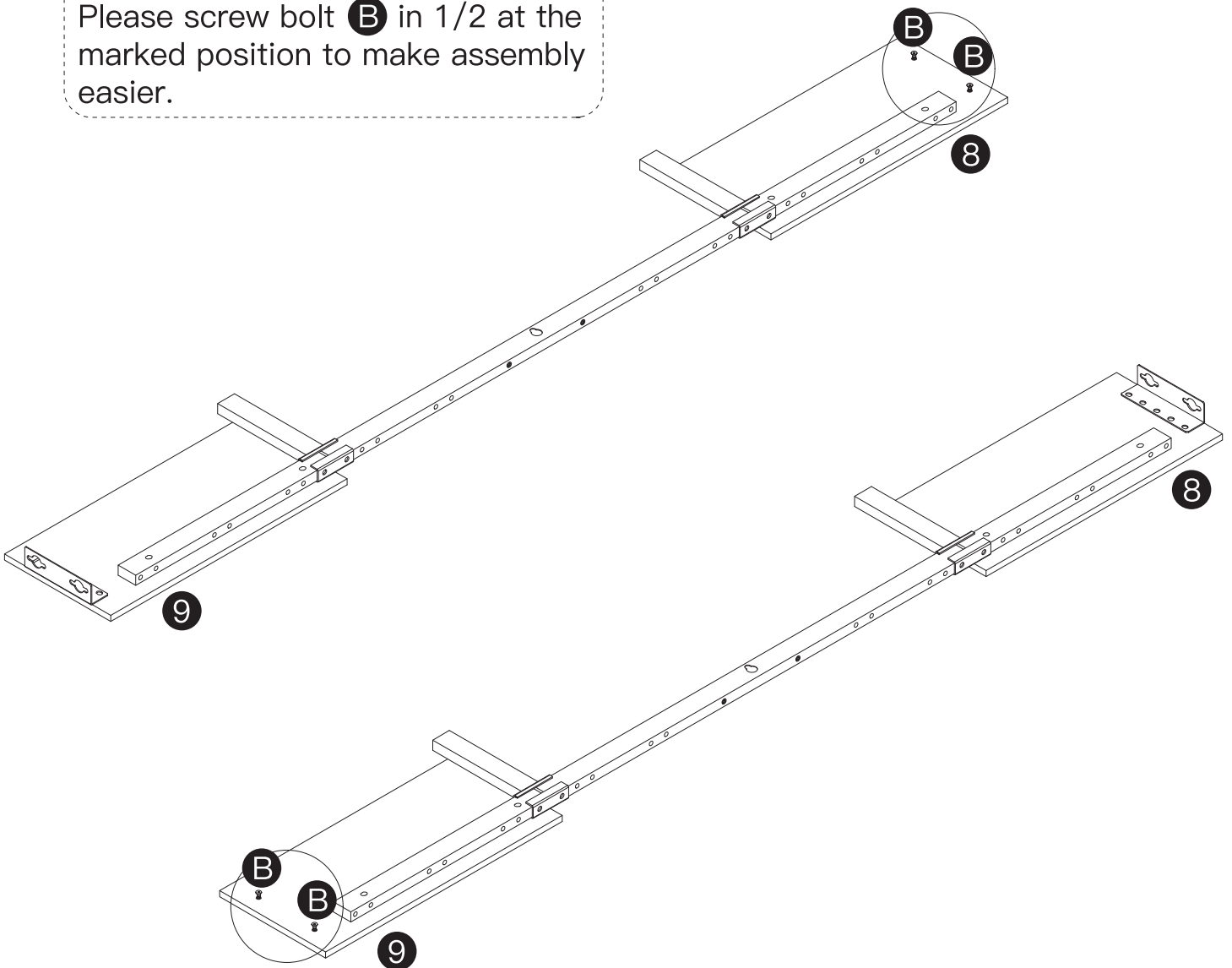


M8x16mm  
x4

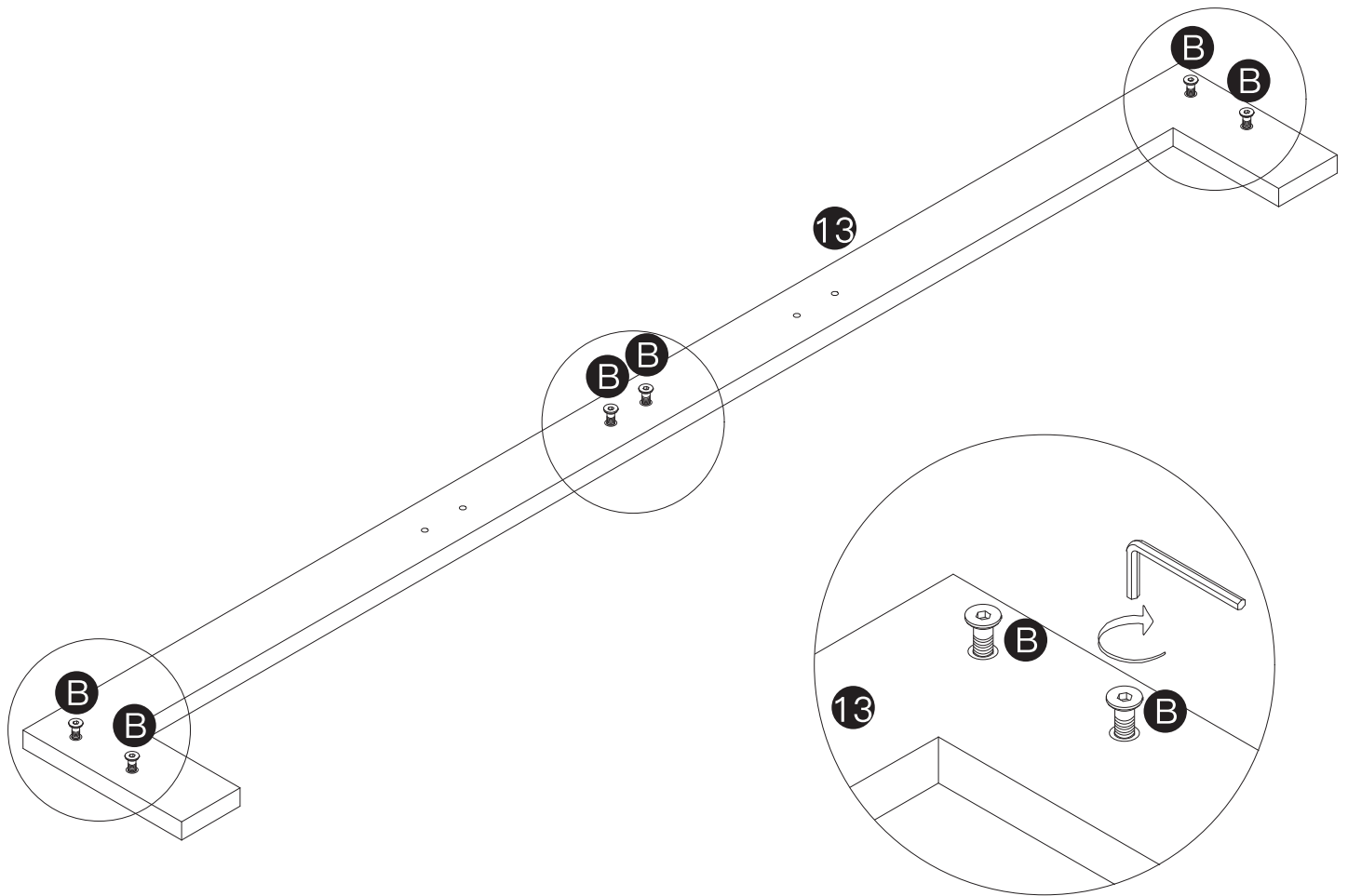
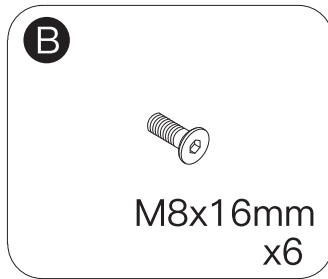
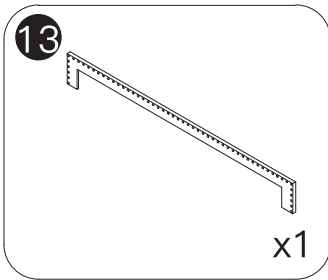


**NOTICE:**

Please screw bolt **B** in 1/2 at the marked position to make assembly easier.



# STEP 16



## NOTICE:

Please screw bolt **B** in 1/2 at the marked position to make assembly easier.

# STEP 17

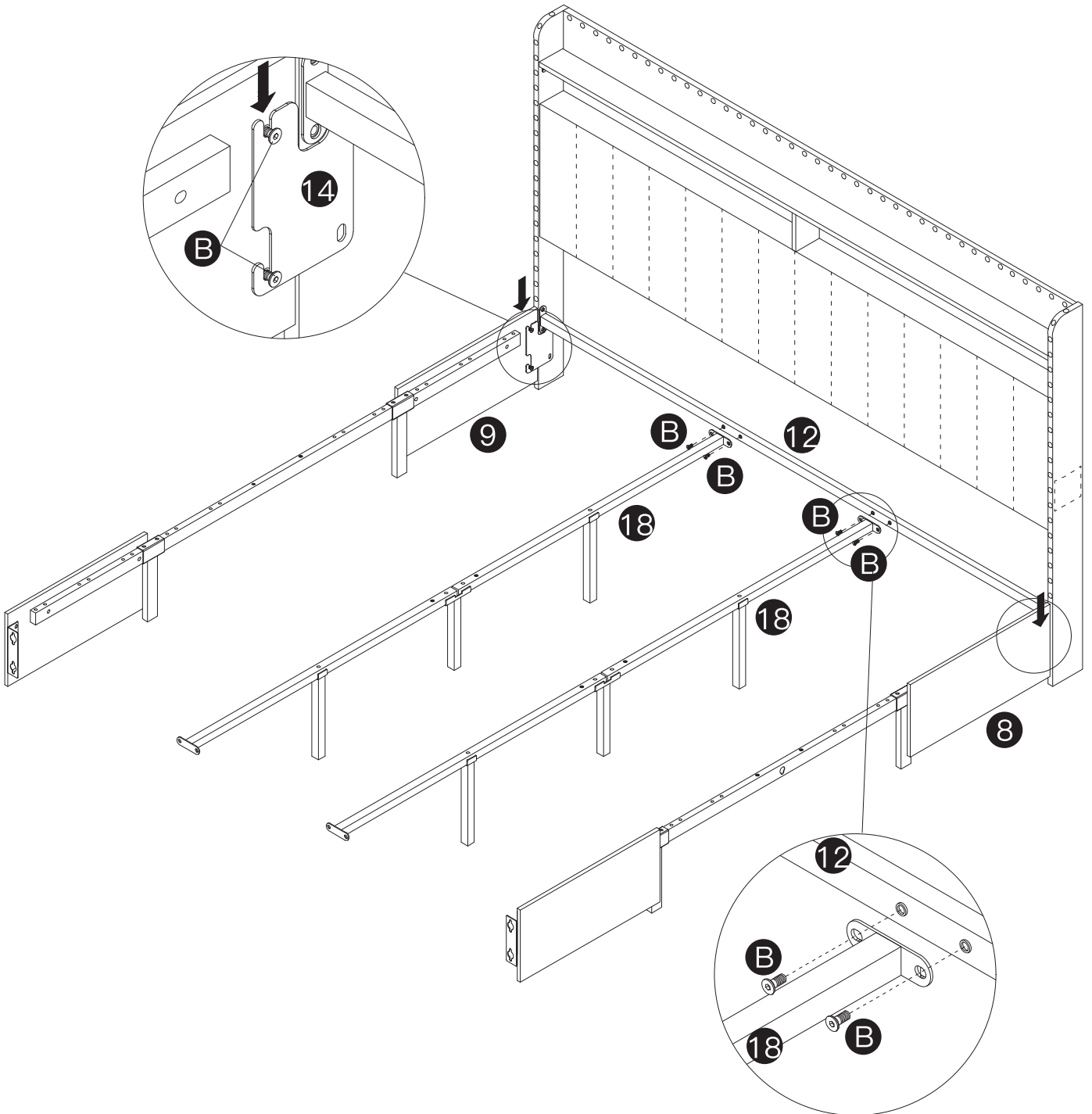
**B**



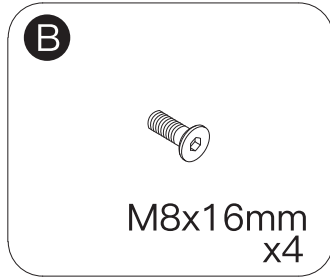
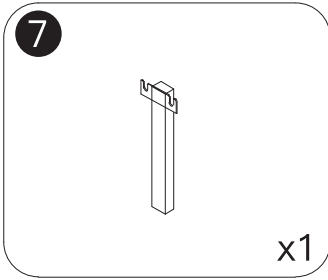
M8x16mm  
x4

**NOTICE:**

Torque part **B** on part **8** & **9**  
after hooking up.

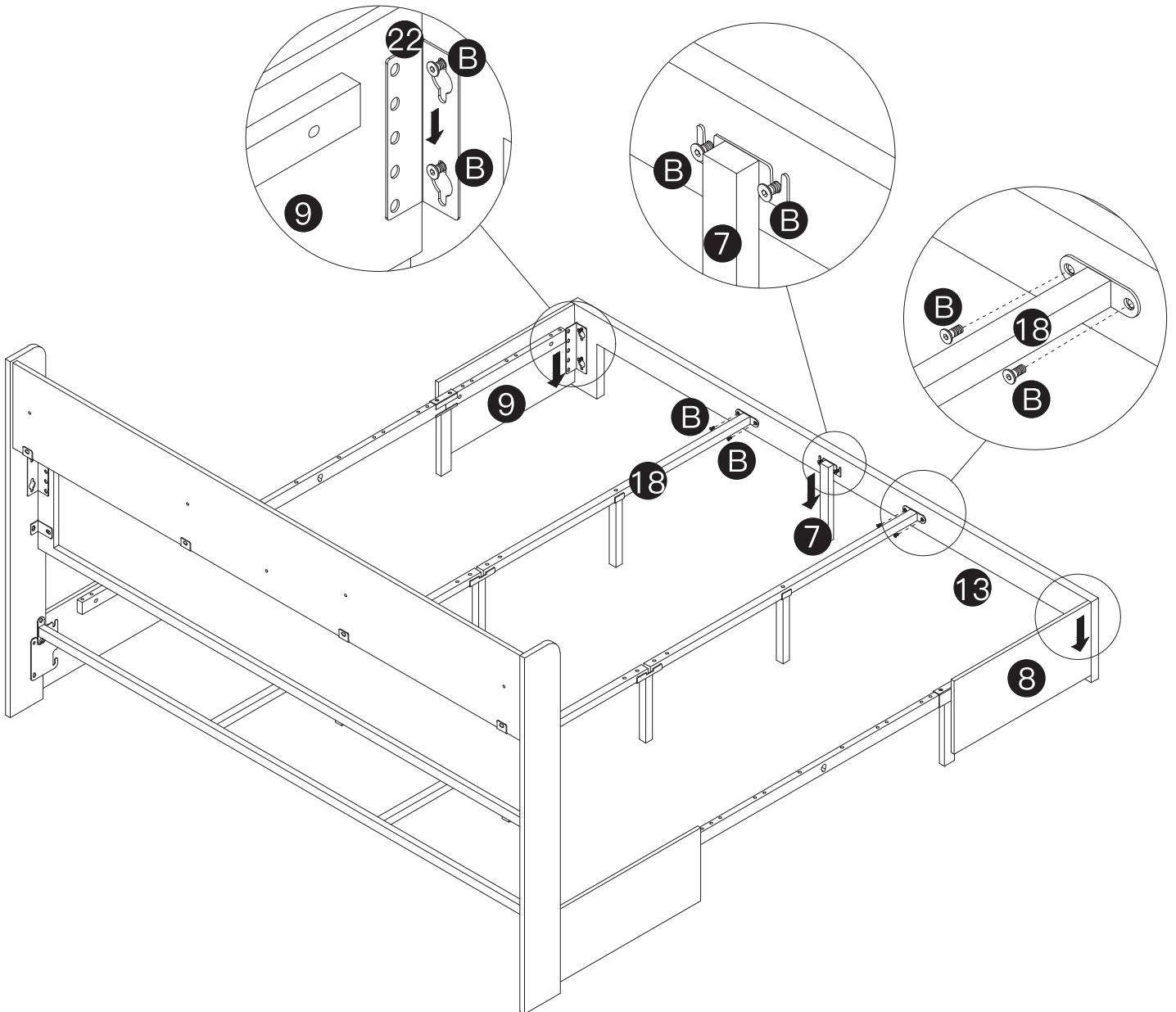


# STEP 18

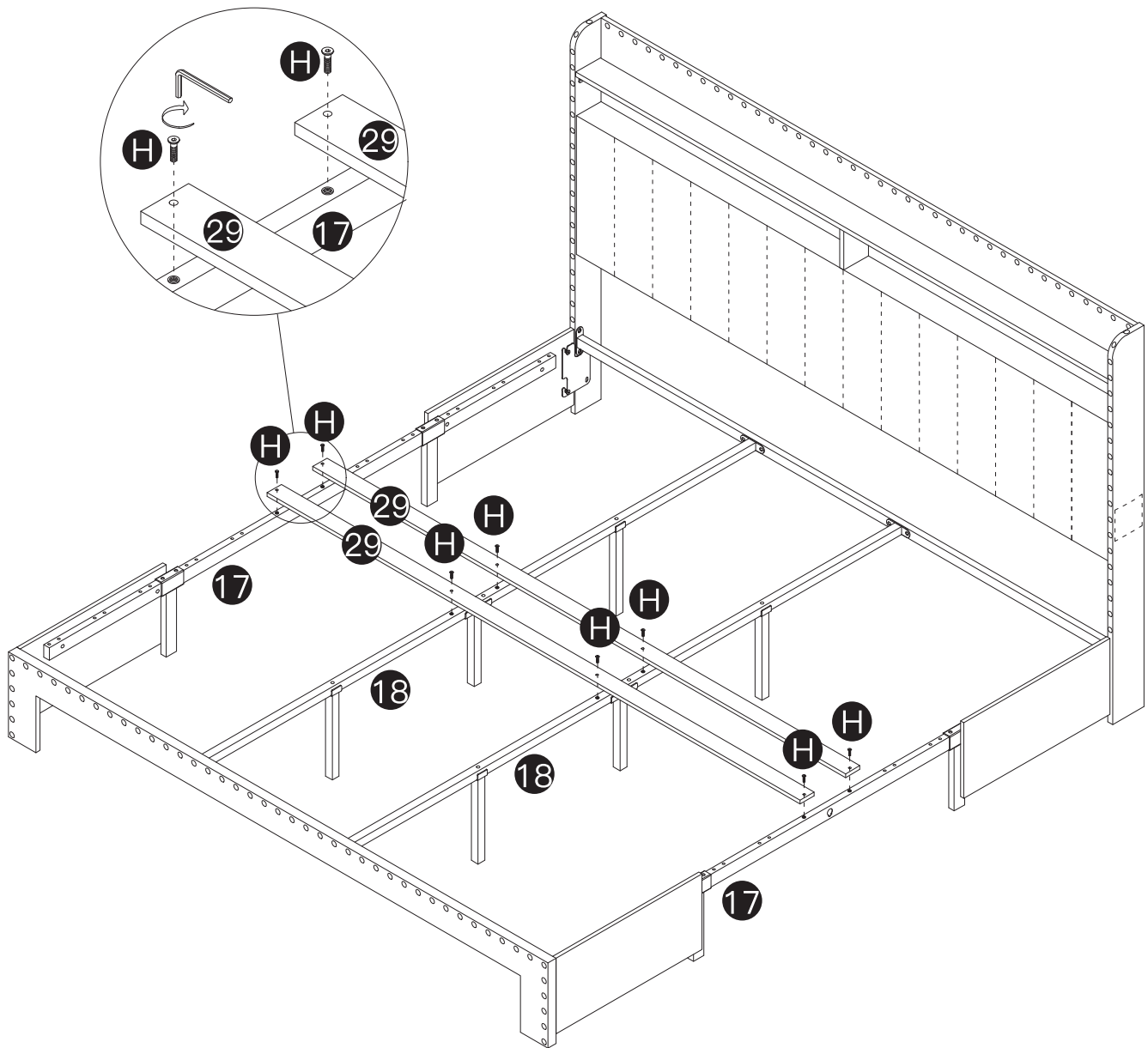
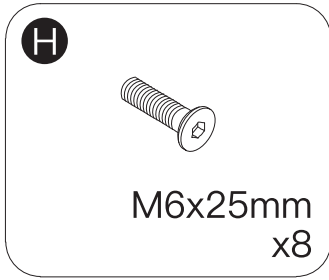
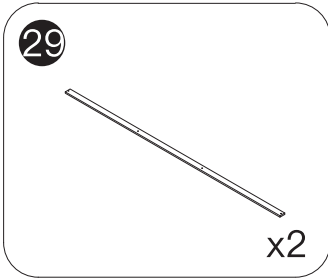


## NOTICE:

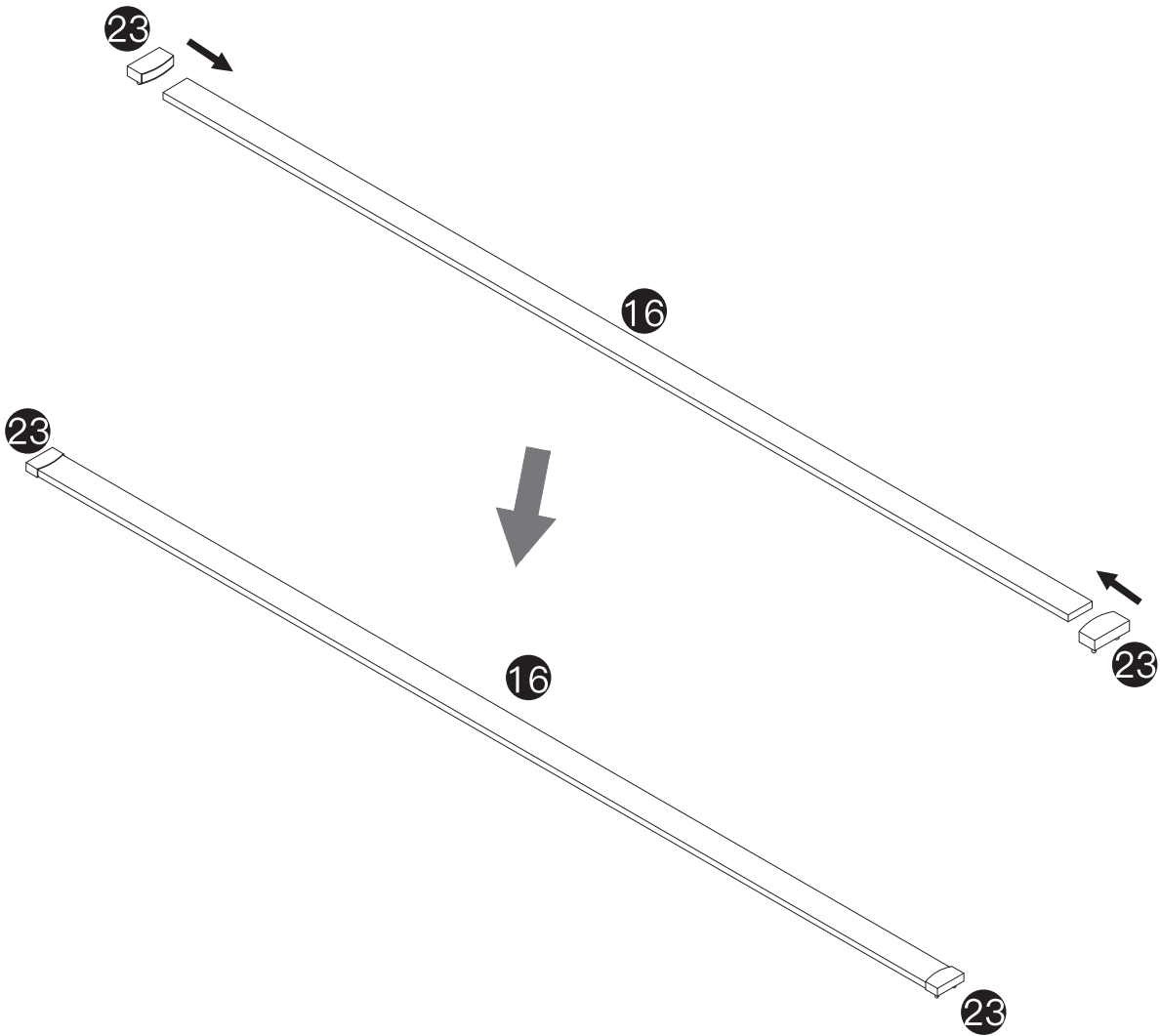
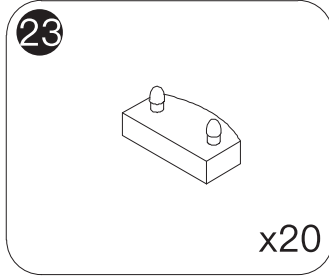
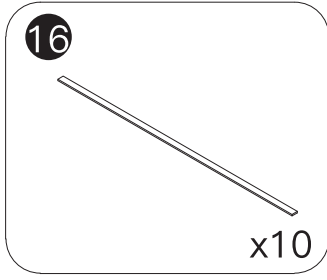
Torque part **B** on part **13** after hooking up.



# STEP 19

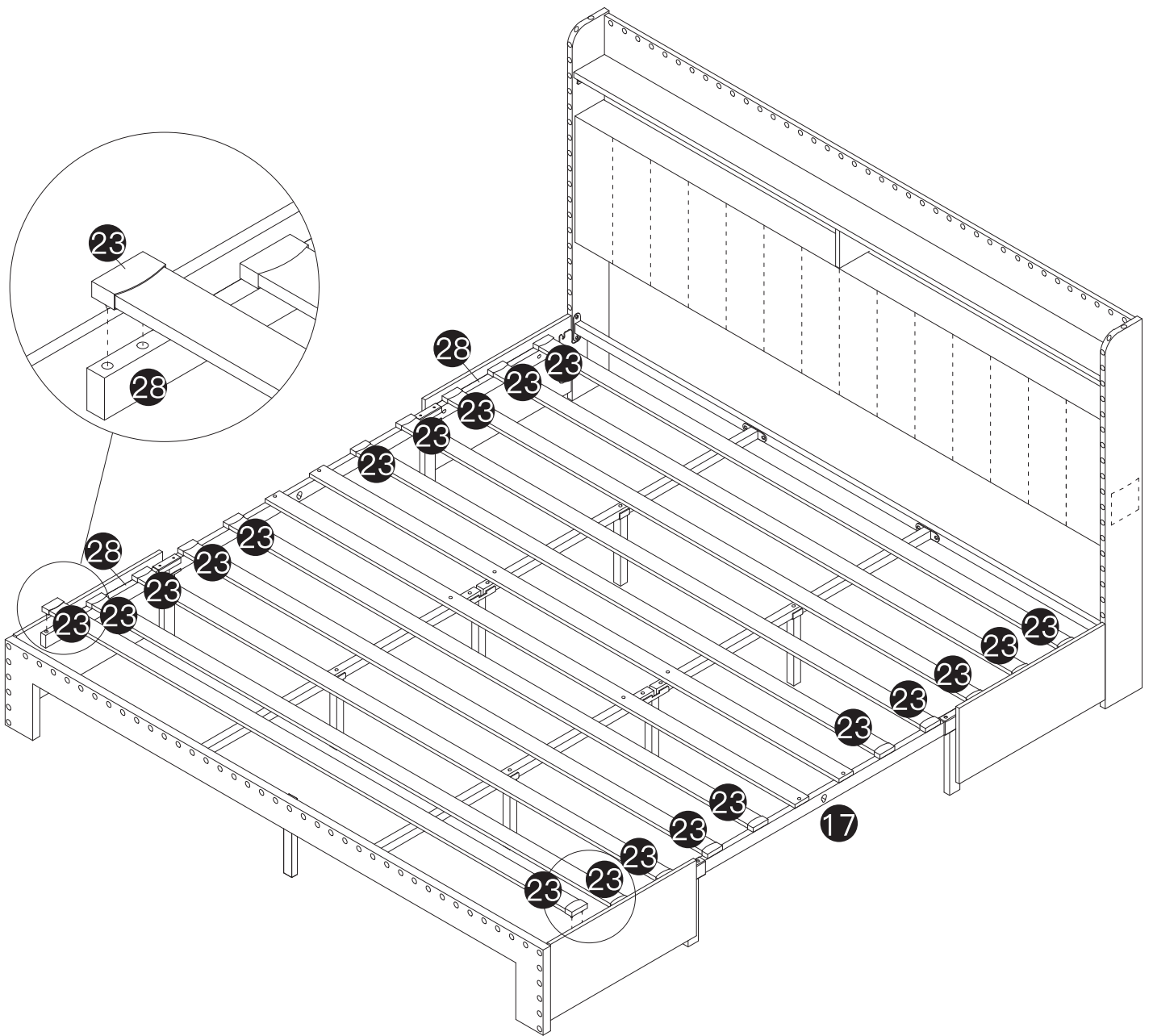


# STEP 20

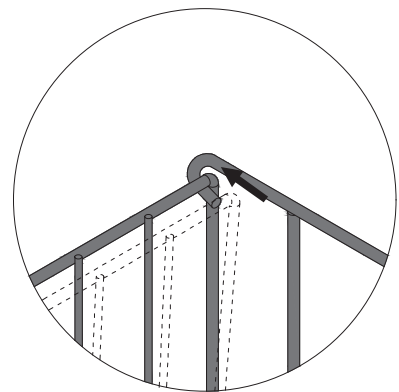
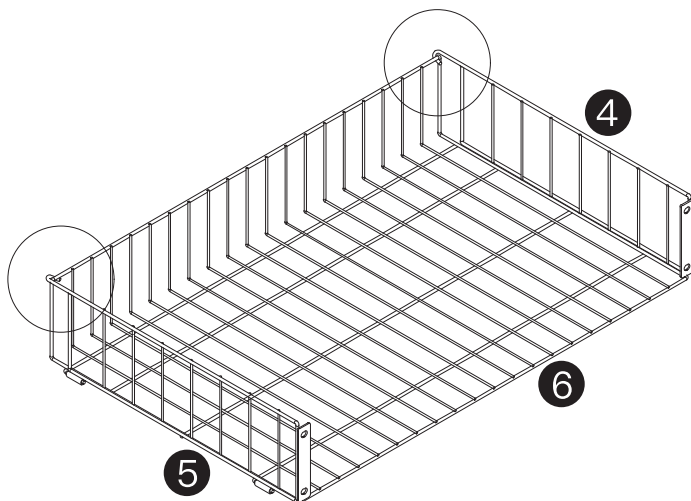
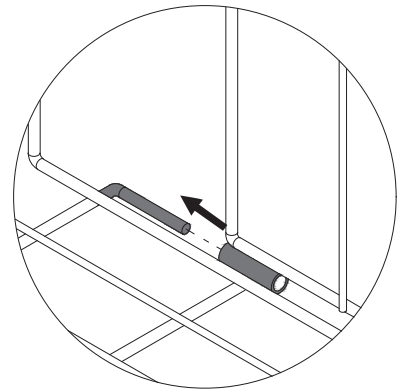
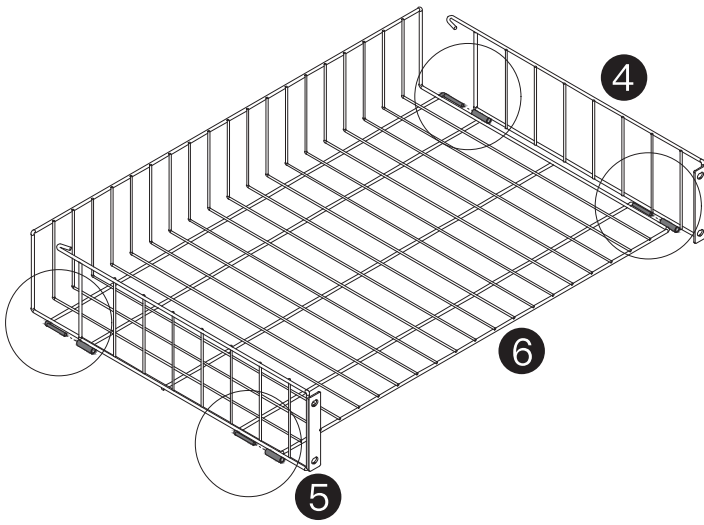
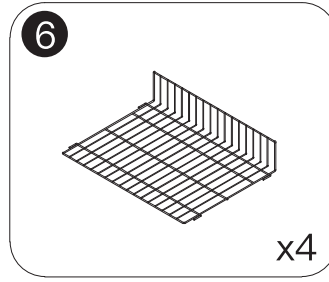
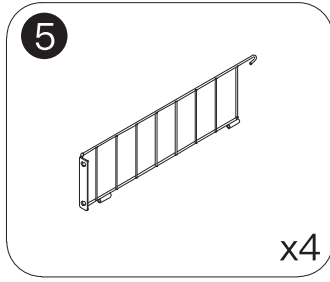
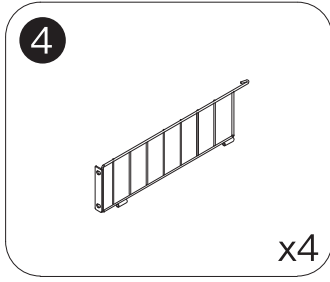


x10

# STEP 21



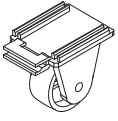
# STEP 22



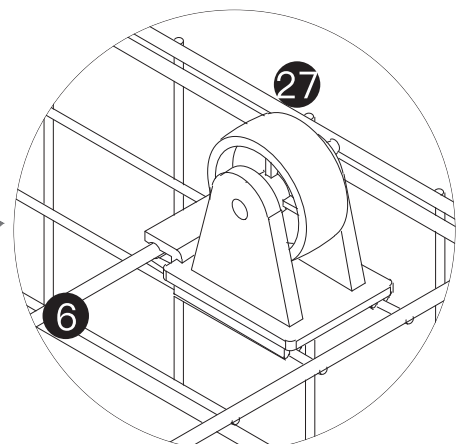
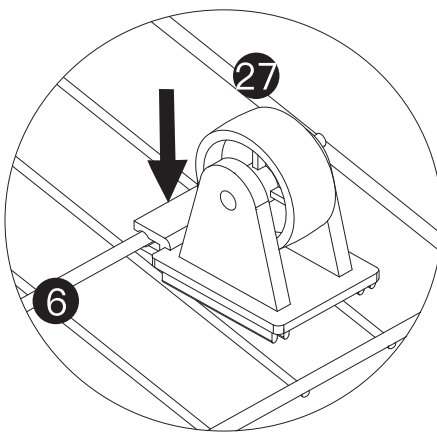
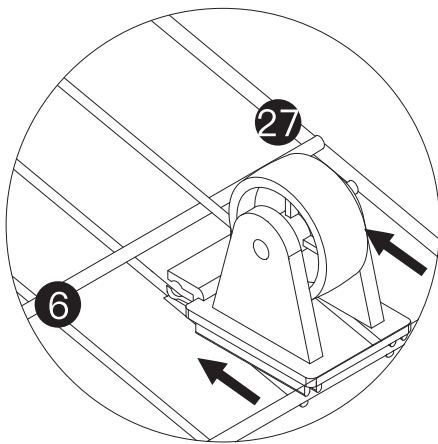
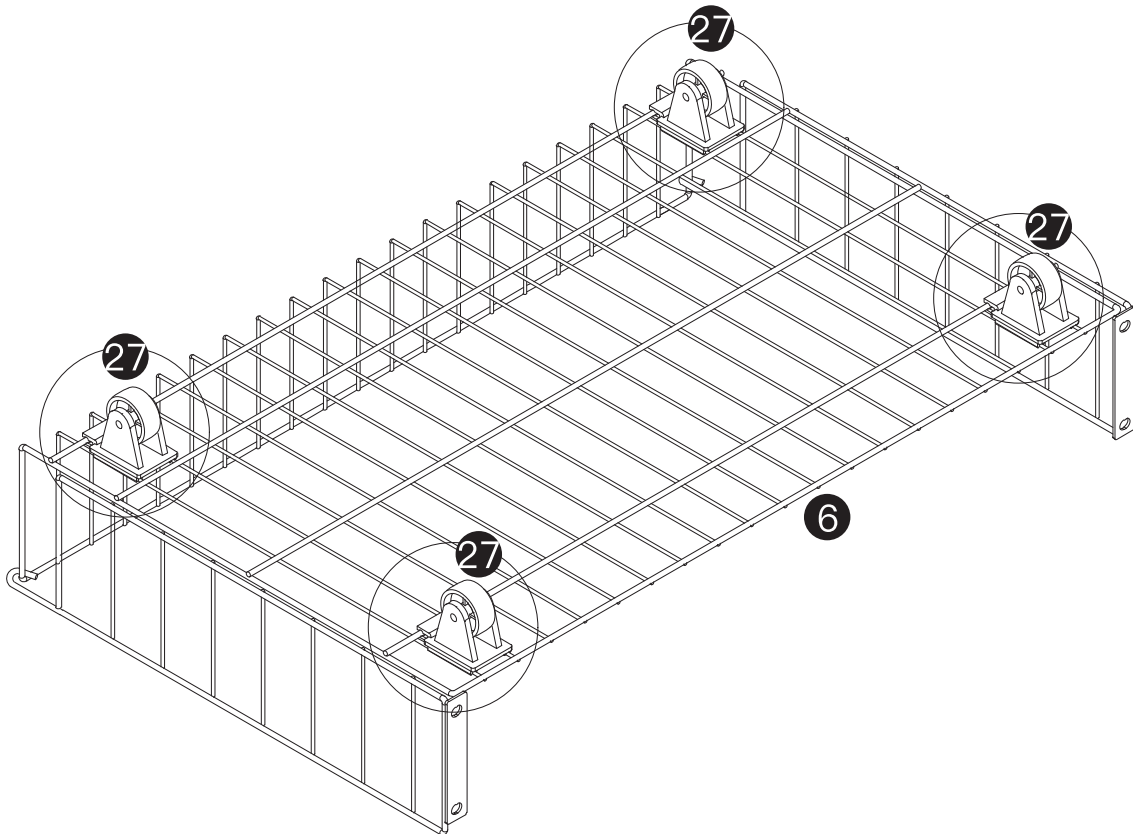
x4

# STEP 23

27

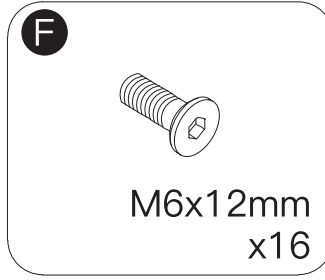
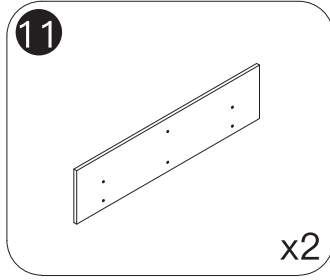
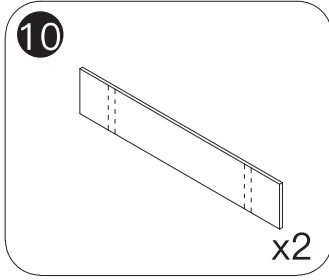


x16

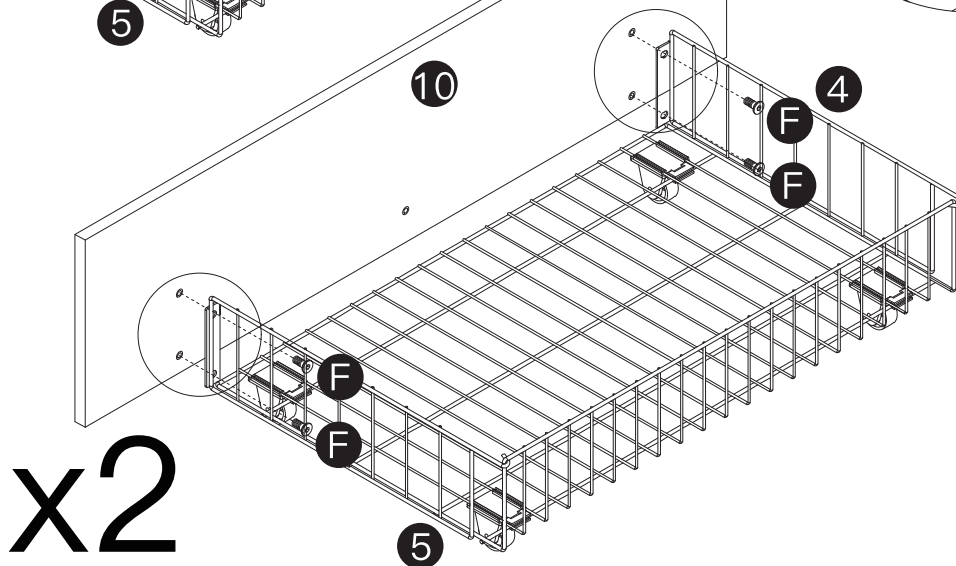
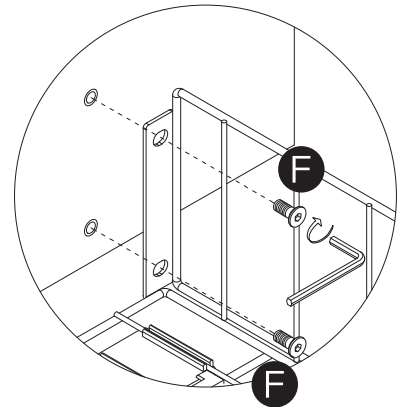
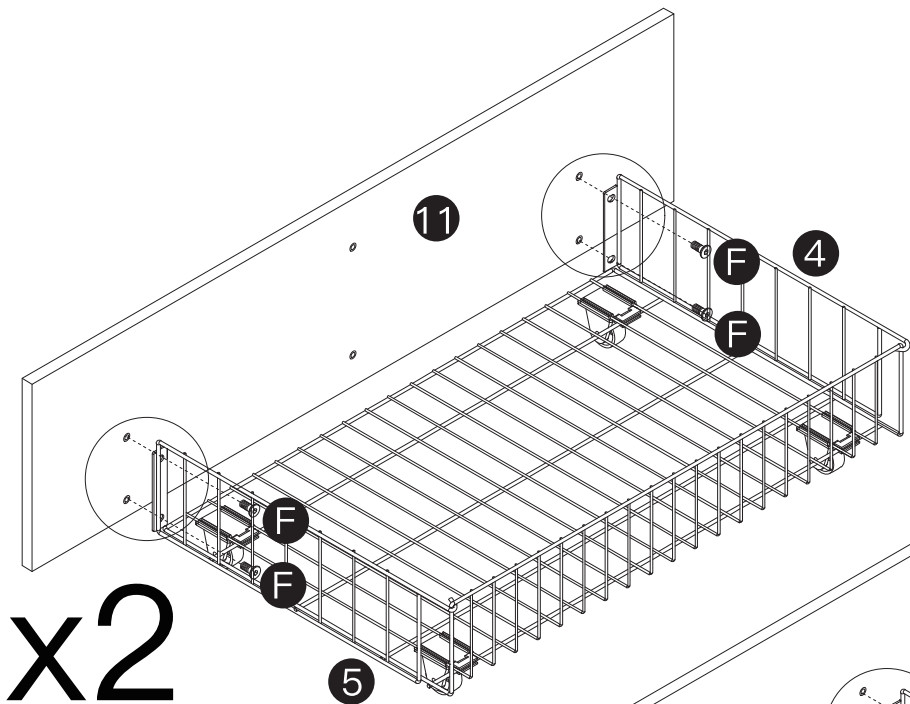
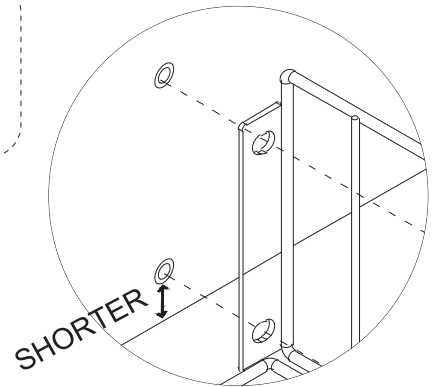


x4

# STEP 24

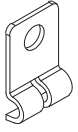


NOTICE:  
Make sure the frame is installed on  
the shorter side of the front panel.



# STEP 25

24



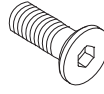
x4

C

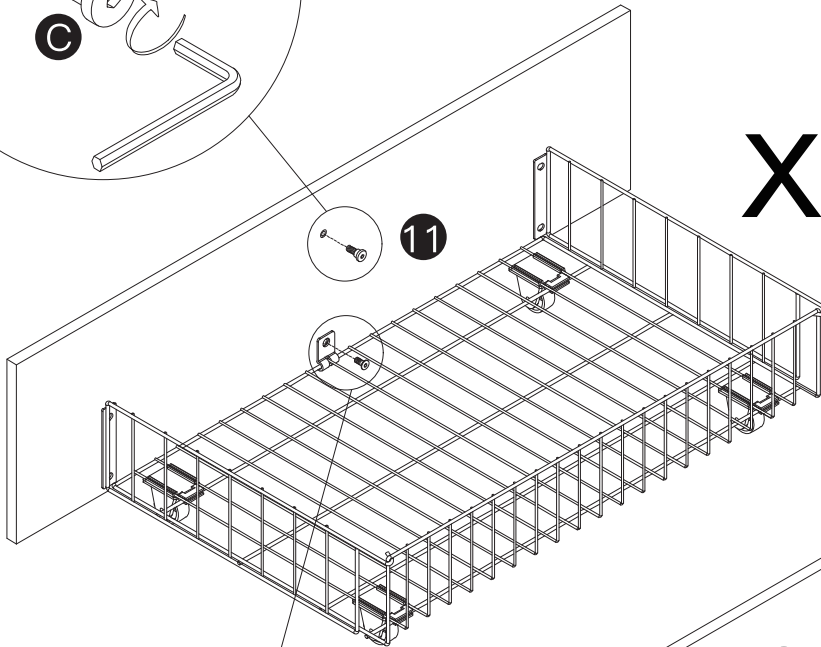
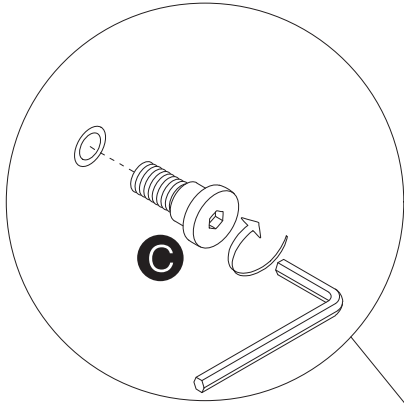


M8x18mm  
x2

F

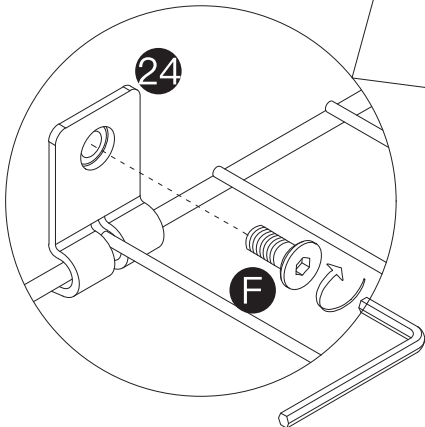


M6x12mm  
x4



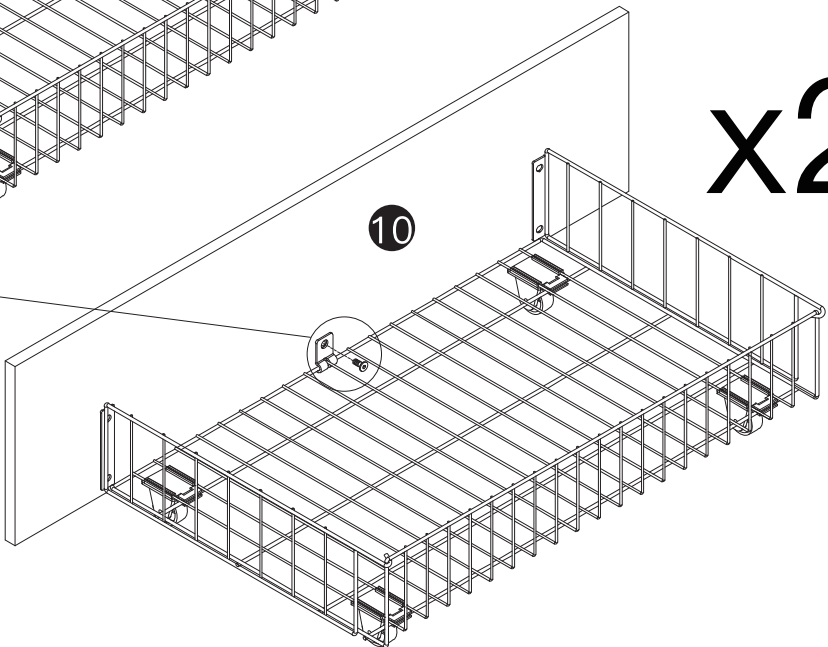
11

x2



24

F



10

x2

