

Bed Frame

Instruction Manual

SZB01-TOT-WD-A,B



 EST 9:00AM--17:00PM

 HJ-Customer-Service@outlook.com

 (909)637-7665 | (909)637-7593



SAFETY WARNINGS



1. This bed is designed for use only mattress(es) meeting the following specifications on the upper bunk:

Upper bunk

Upper bed

Bed Type	Length	Width	Thickness
Twin Standard	74"-75"	38-1/2"	6" max

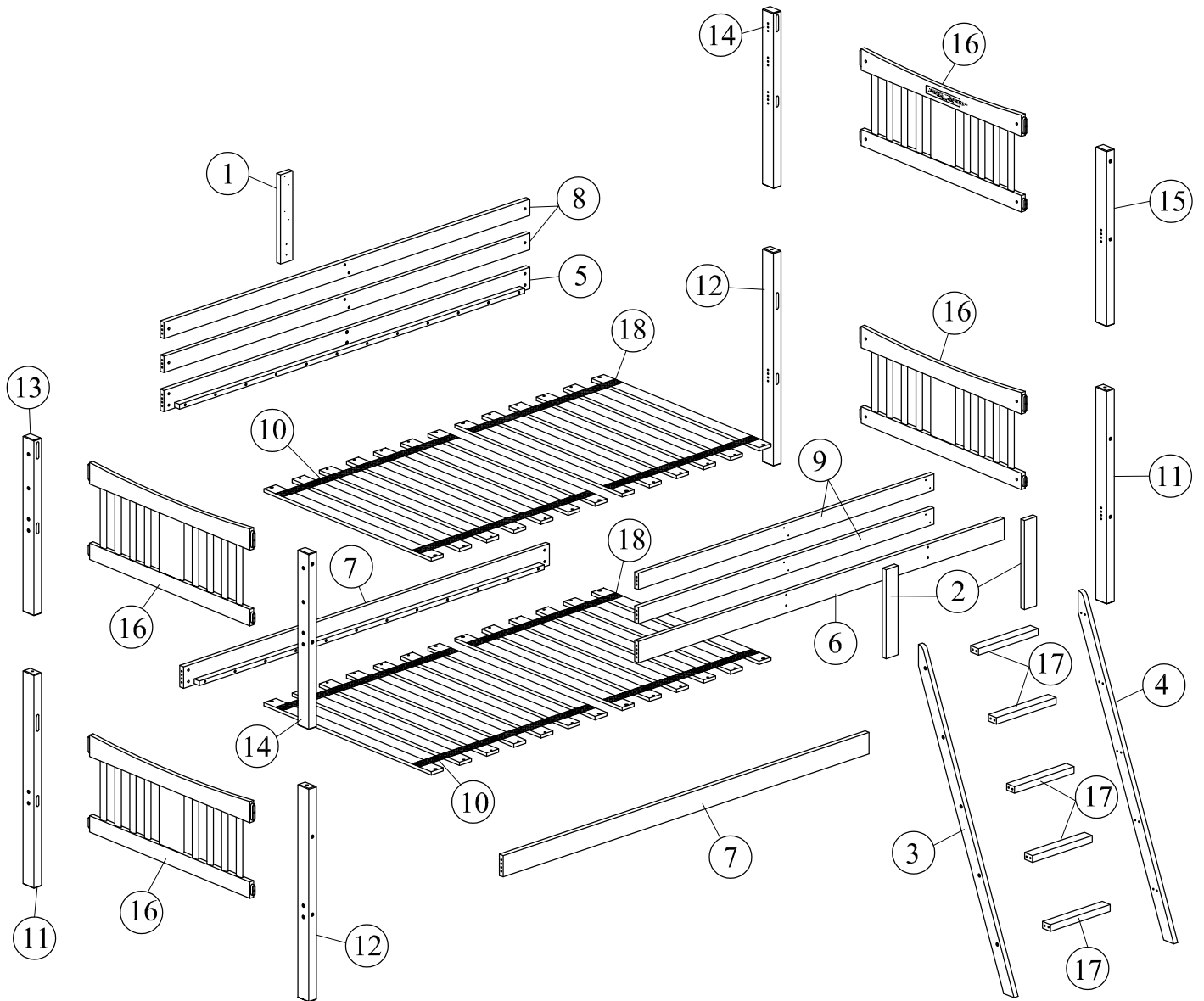
Lower bed

Bed Type	Length	Width	Thickness
Twin Standard	74"-75"	38- 1/2"	6" max

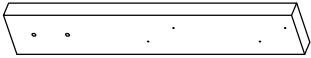

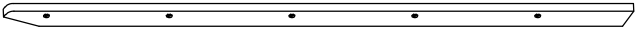
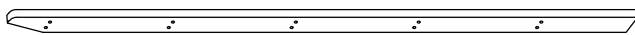
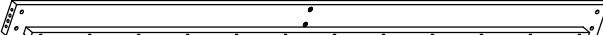
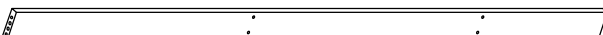
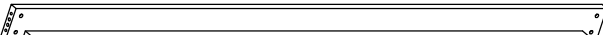
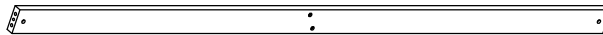
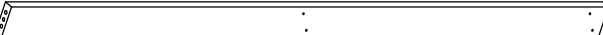
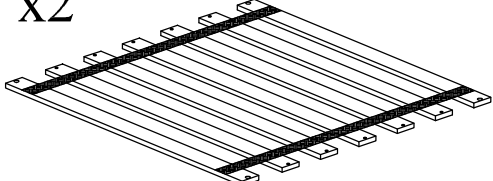
2. Replacement parts, including additional guardrails, maybe obtained from any of our ZHEJIANG HENGJIAN HOME FURNISHING CO., LTD , 7TH FLOOR, BLUE CUBE, NO. 325 XIWEN STREET, GONGSHU DISTRICT, HANGZHOU CITY, ZHEJIANG dealers.

3. Follow the information on the warnings appearing on the upper bunk bed end structure and on the carton.
Do not remove warning label from bed.
4. Always use the recommended size mattresses or mattress supports, or both, to help prevent the likelihood of entrapment or falls.
5. Surface of the mattress must be at least 5". (127 mm) below the upper edge of guardrails.
6. Do not allow children under 6 years of age to use the upper bunk.
7. Periodically check and ensure that the guardrail, ladder, and other components are in their proper position, free from damage, and that all connectors are tight.
8. Do not allow horseplay on or under the bed and prohibit jumping on the bed
9. Always use the ladder for entering and leaving the upper bunk.
10. Do not use substitute parts. Contact the manufacturer or dealer for replacement parts.
11. Use of a night light may provided added safety precaution for a child using the upper bunk.
12. Always use guardrails on both long sides of the upper bunk. If the bunk bed will be placed next to the wall, the guardrail that runs the full length of the bed should be placed against the wall to prevent entrapment between the bed and wall.
13. The use of water or sleep flotation mattresses is prohibited.
14. STRANGULATION HAZARD - Never attach or hang items to any part of the bunk bed that are not designed for use with the bed; for example, but not limited to, hook, belts and jump ropes.
15. Keep these instructions for future reference
16. Prohibit more than one person on upper bunk.
17. We recommend assembling your bunk bed on the shipping carton to protect your floor or carpet.
18. Be certain all staples are out of the box before beginning assembly on the shipping carton.

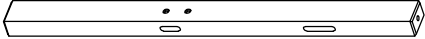
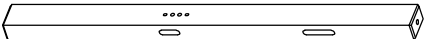

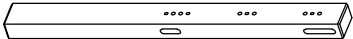
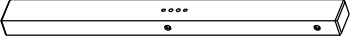
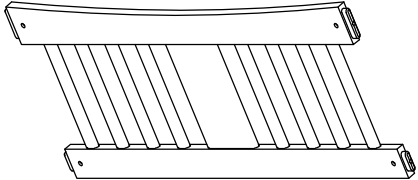
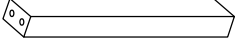
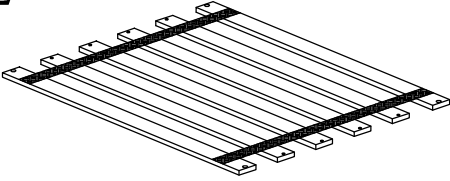
Detail:





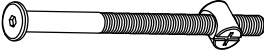




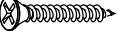
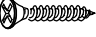
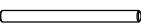

Part List (Box 1)

<p>① x1</p> 	<p>② x2</p> 
<p>③ x1</p> 	<p>④ x1</p> 
<p>⑤ x1</p> 	<p>⑥ x1</p> 
<p>⑦ x2</p> 	<p>⑧ x2</p> 
<p>⑨ x2</p> 	<p>⑩ x2</p> 

Part List (Box 2)

<p>①① x2</p> 	<p>①② x2</p> 
<p>①③ x1</p> 	<p>①④ x2</p> 
<p>①⑤ x1</p> 	<p>①⑥ x4</p> 
<p>①⑦ x5</p> 	<p>①⑧ x2</p> 

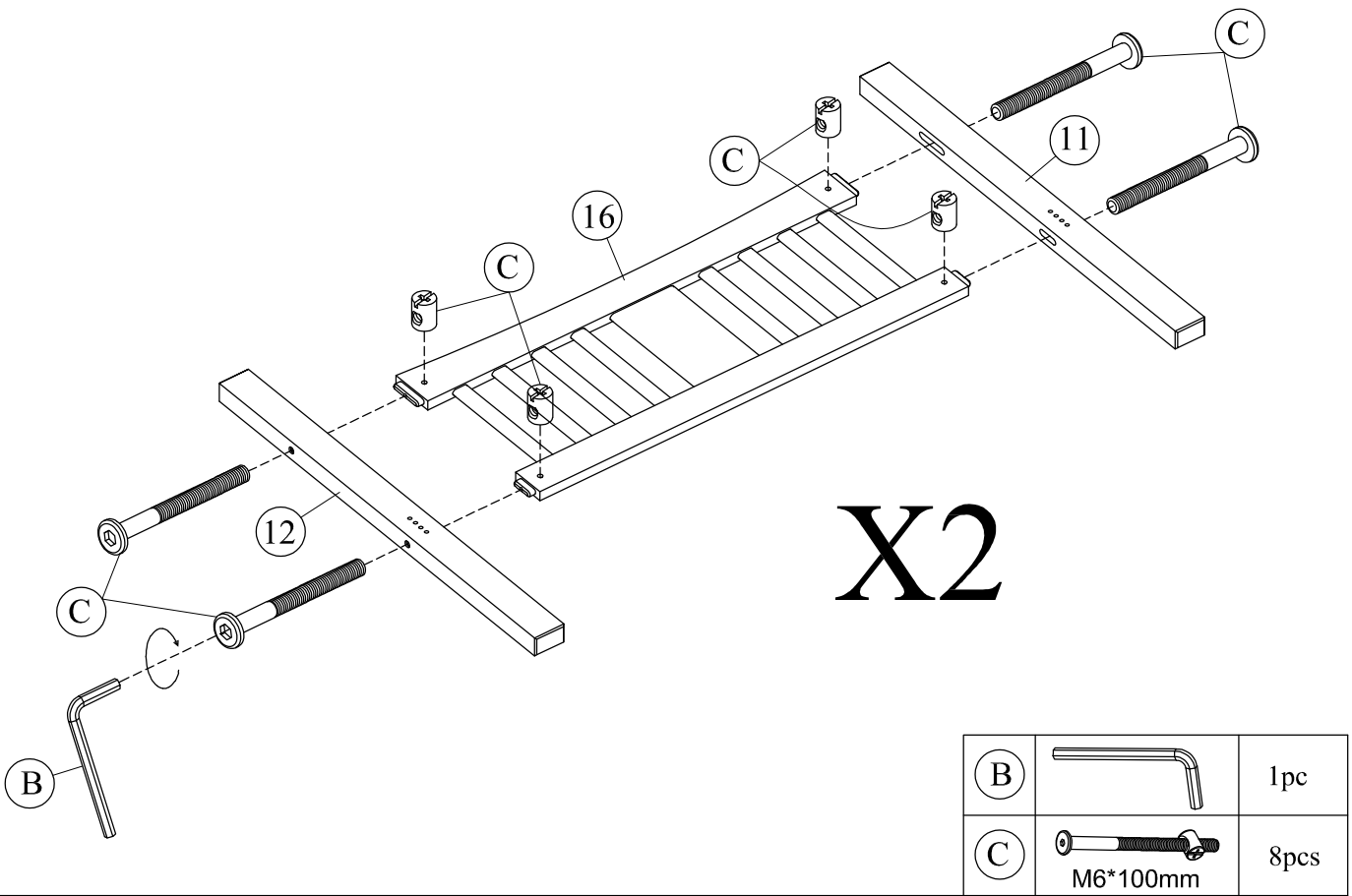
Hardware List (Box 2)

No.	OUTLOOK	DESC	QTY
A		Wood Dowel Ø8*30mm	38pcs
B		Allen Key M4	1pc
C		Hex-Headbolts M6*100mm	16pcs
D		Hex-Headbolts M6*75mm	22pcs
E		Hex-Headbolts M6*60mm	10pcs
F		Hex-Headbolts M6*30mm	6pcs
G		Hex-Headbolts M6*30mm	16pcs
H		Wood Screw Ø8*30mm	48pcs
I		Wood Screw Ø6*20mm	6pcs
J		Metal Pin Ø10*130mm	4pcs
K		Metal base	2pcs

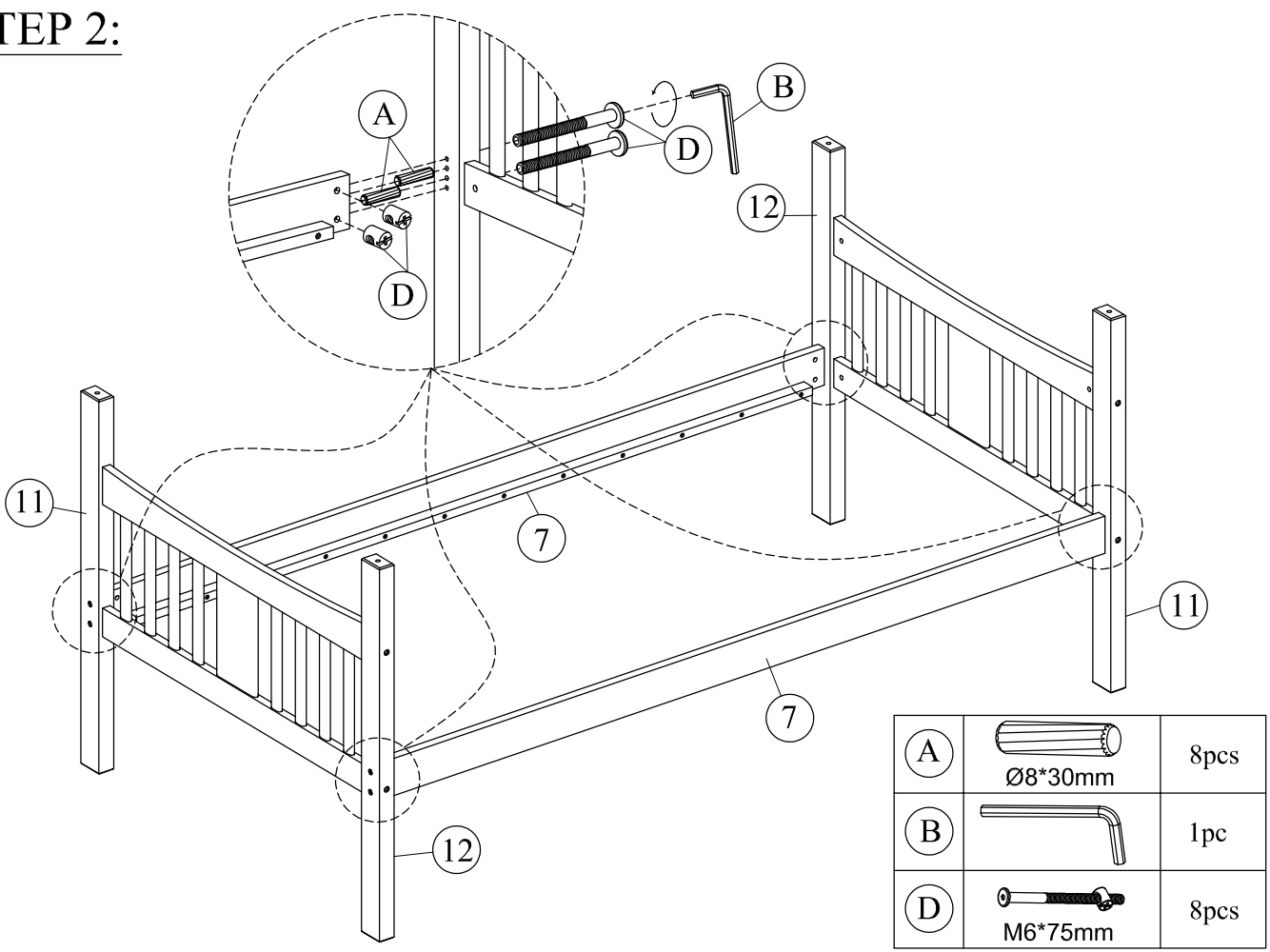
ASSEMBLY TOOLS REQUIRED (NOT INCLUDED)



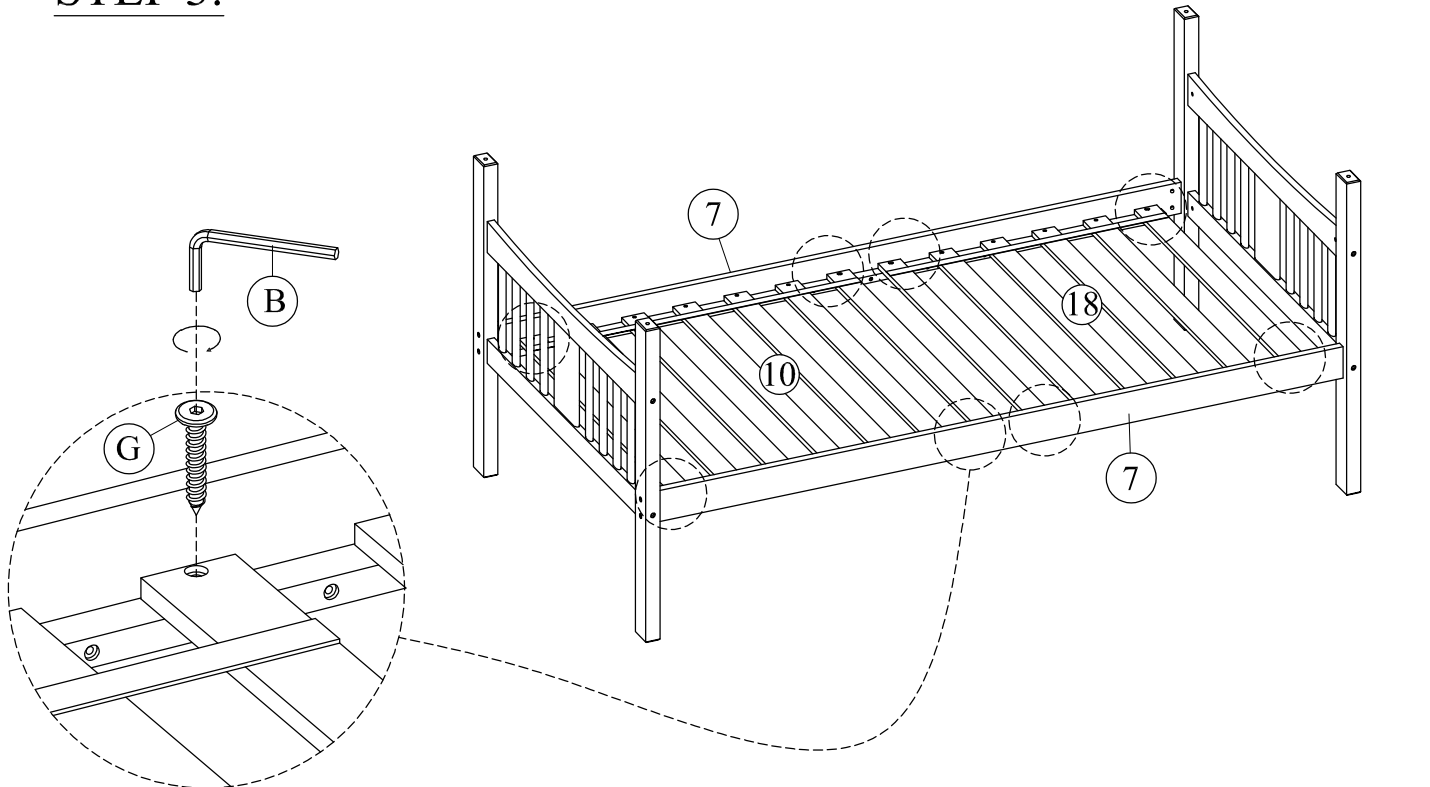
STEP 1:



STEP 2:

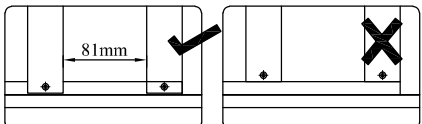
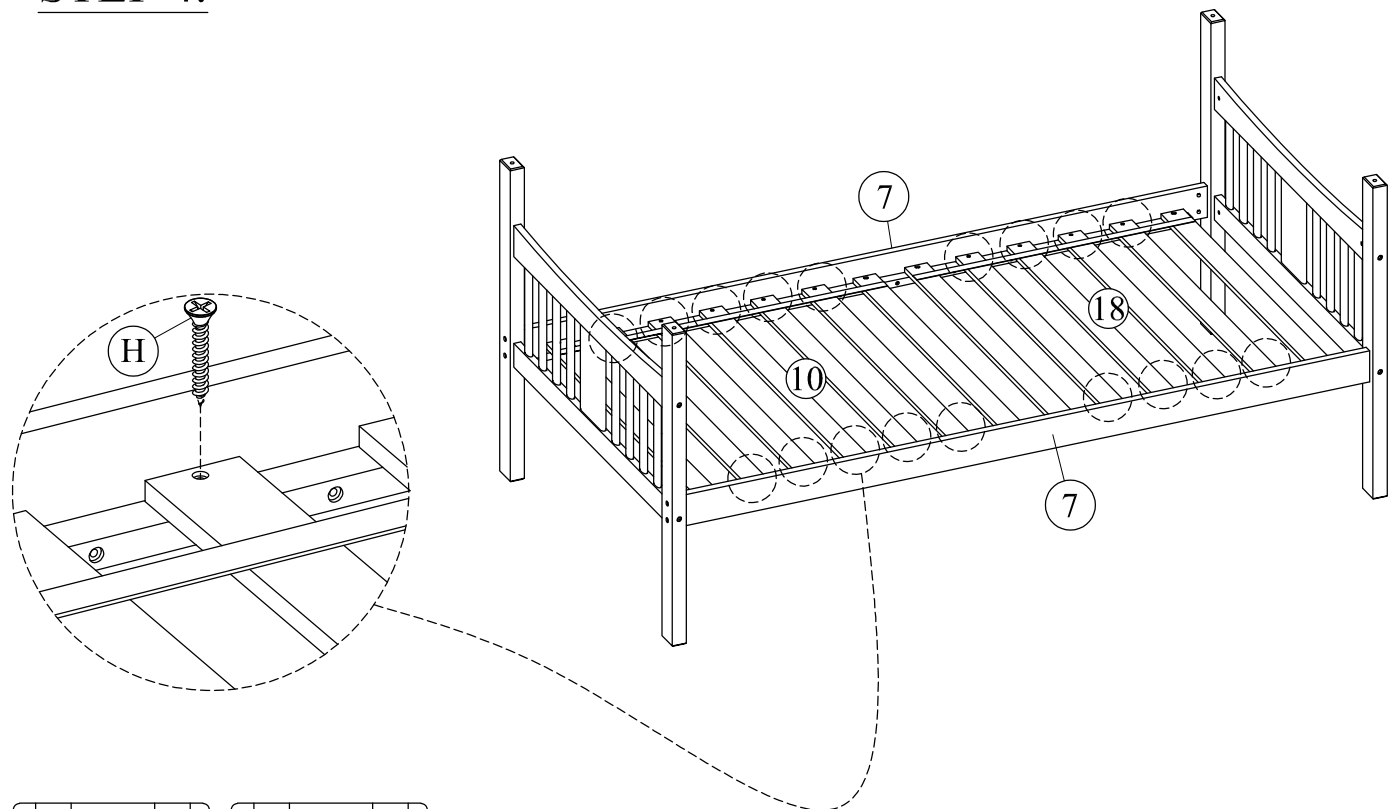


STEP 3:



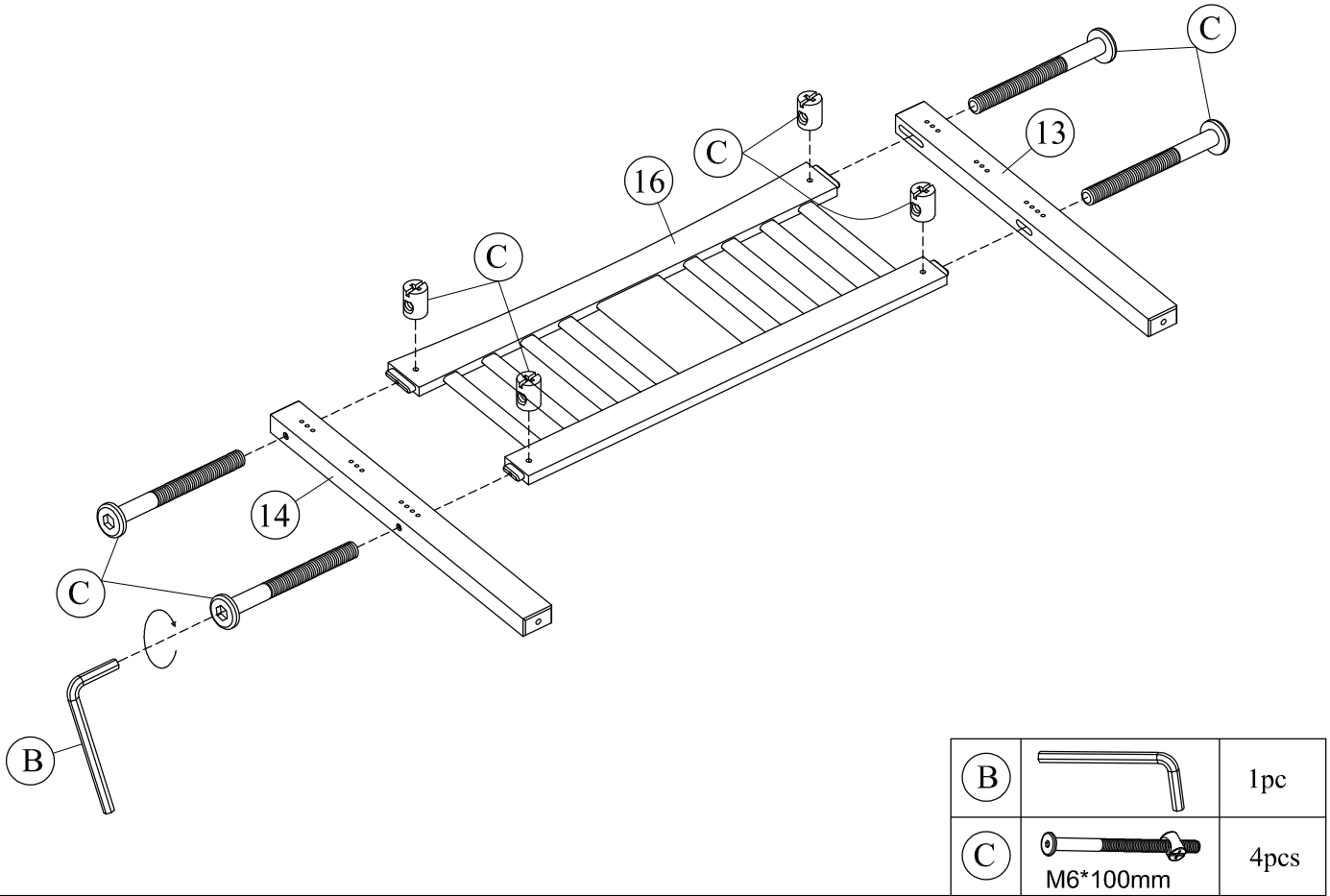
(B)		1pc
(G)	 M6*30mm	8pcs

STEP 4:

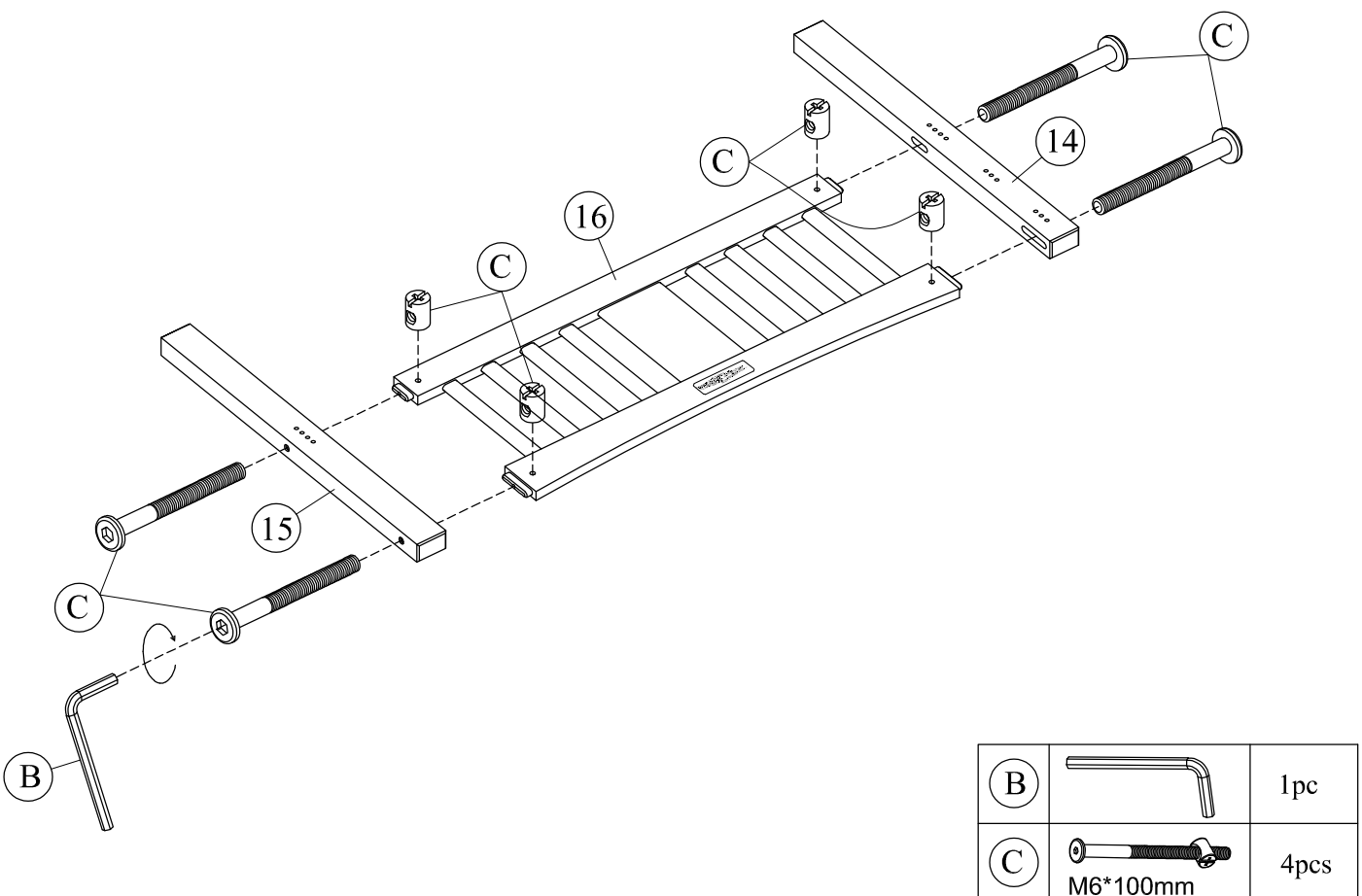


(H)	 Ø8*30mm	18pcs
-----	-------------	-------

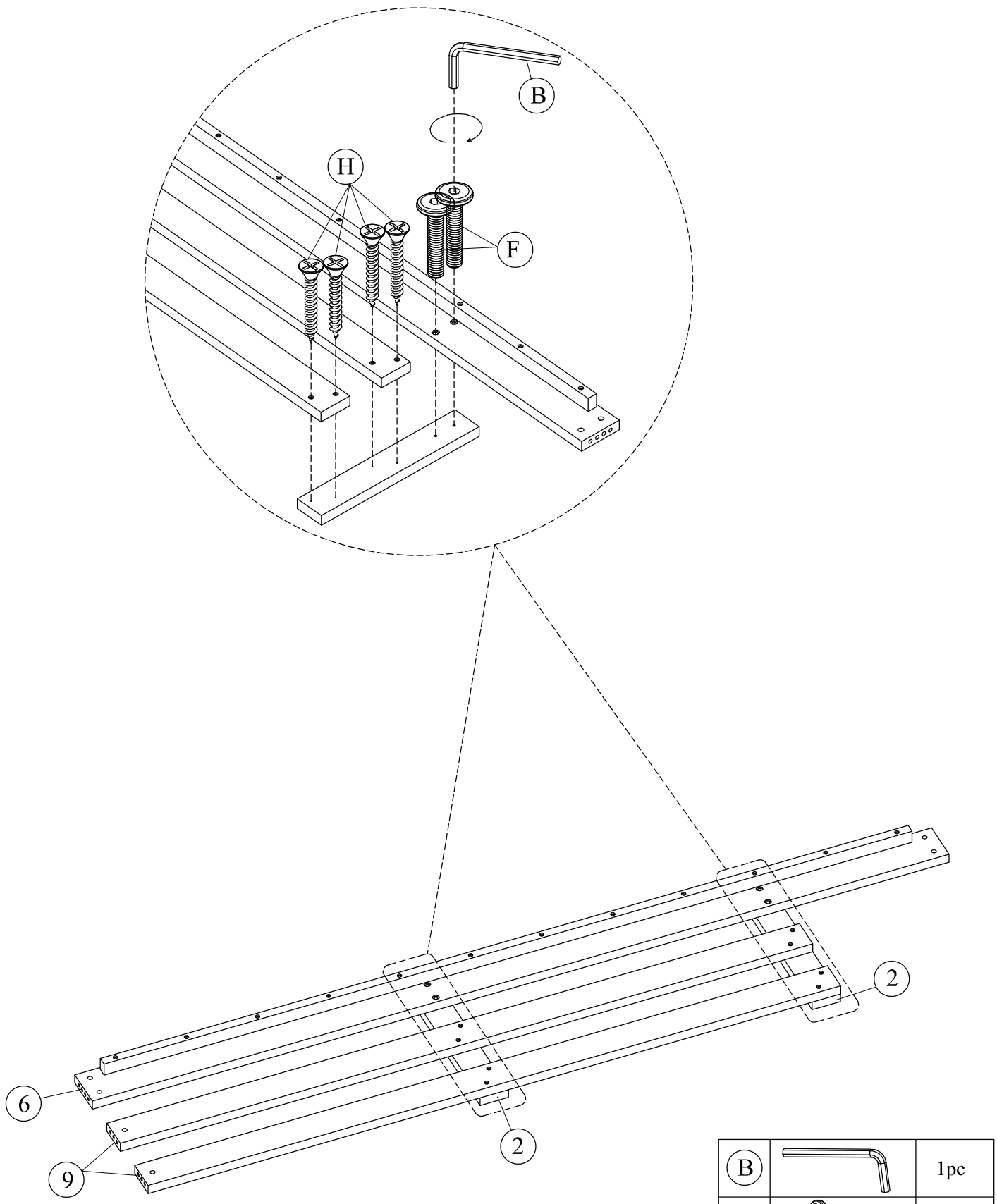
STEP 5:



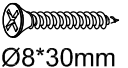


STEP 6:



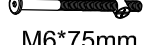


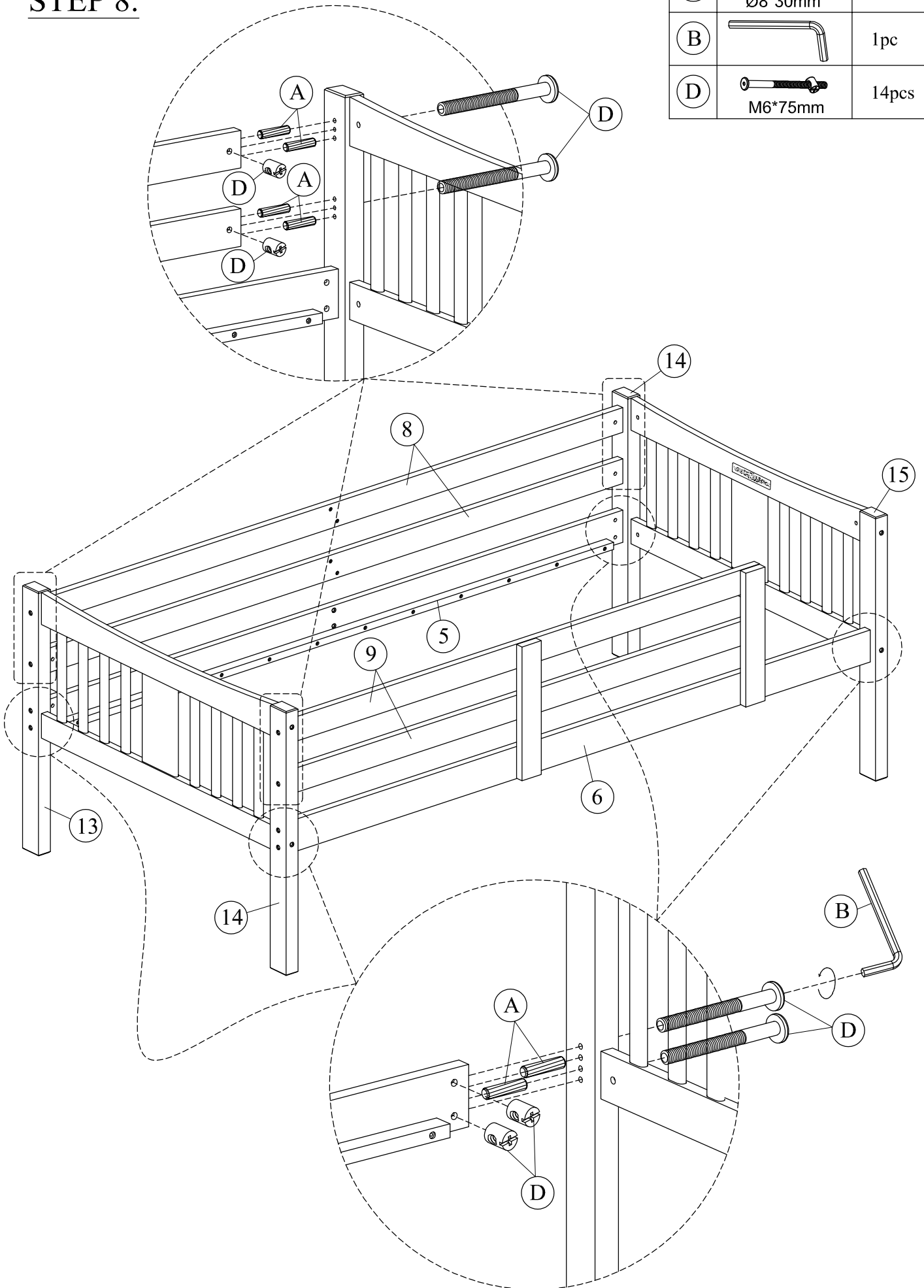
STEP 7:



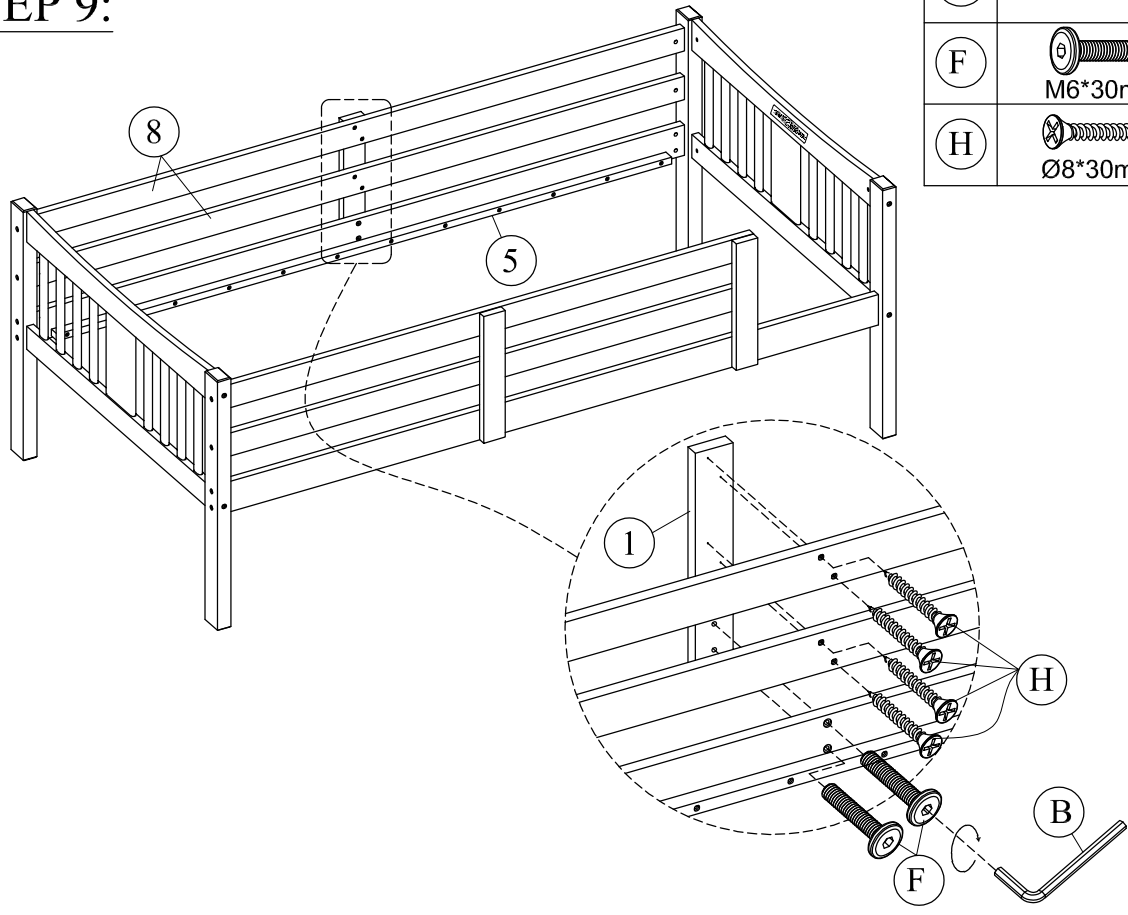
(B)		1pc
(F)	 M6*30mm	4pcs
(H)	 Ø8*30mm	8pcs

STEP 8:

(A)	 Ø8*30mm	20pcs
(B)		1pc
(D)	 M6*75mm	14pcs

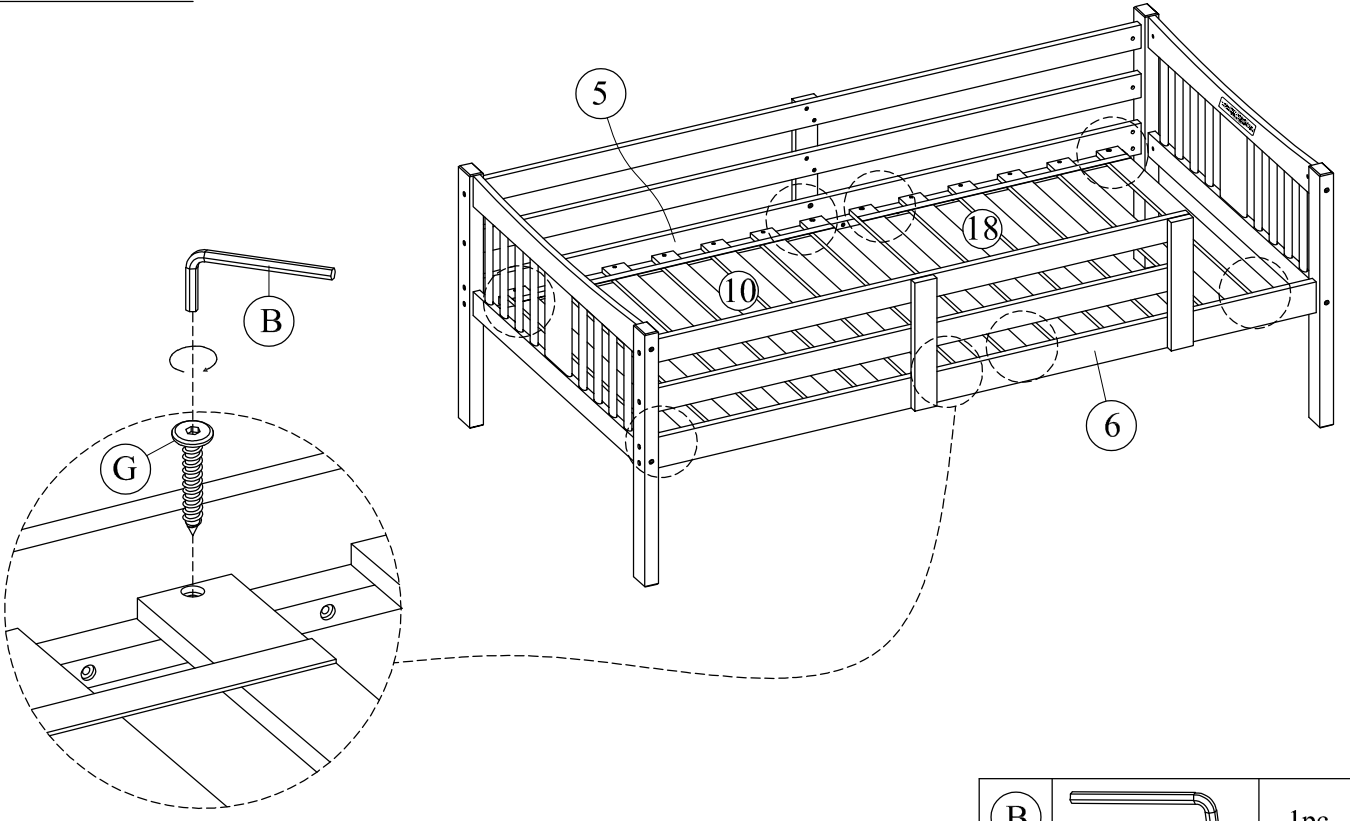


STEP 9:



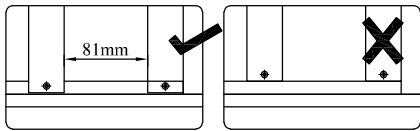
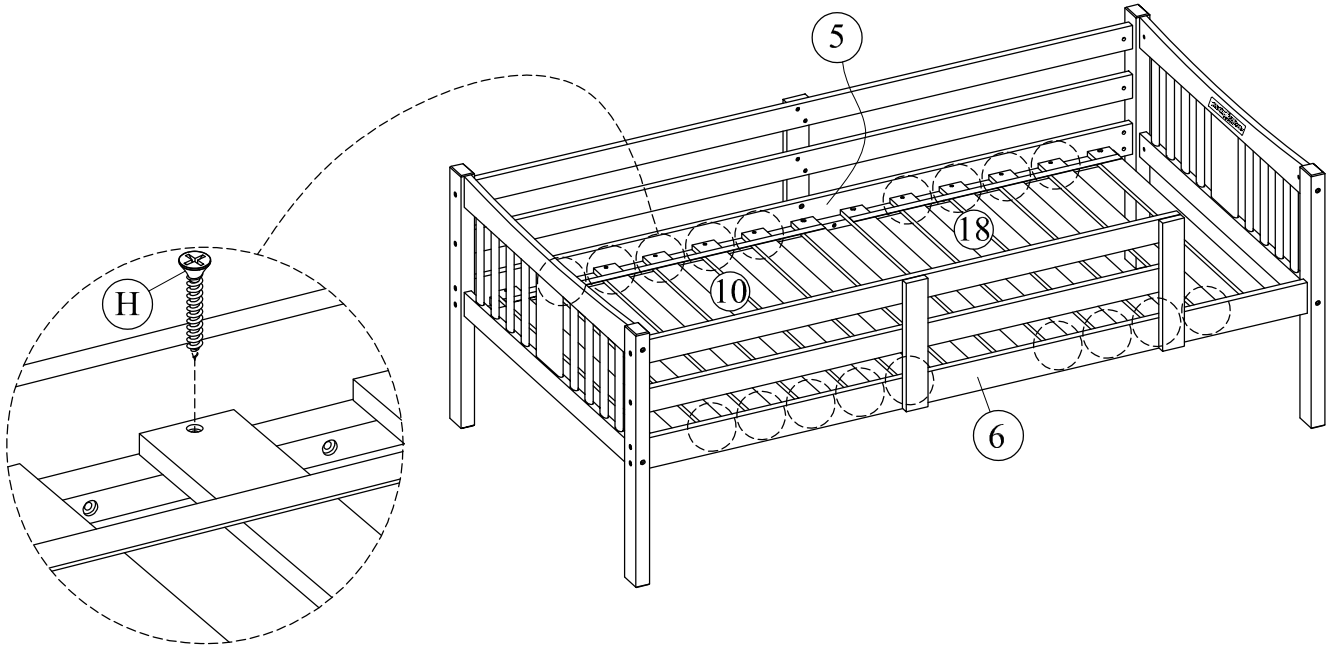
(B)		1pc
(F)	 M6*30mm	2pcs
(H)	 Ø8*30mm	4pcs


STEP 10:



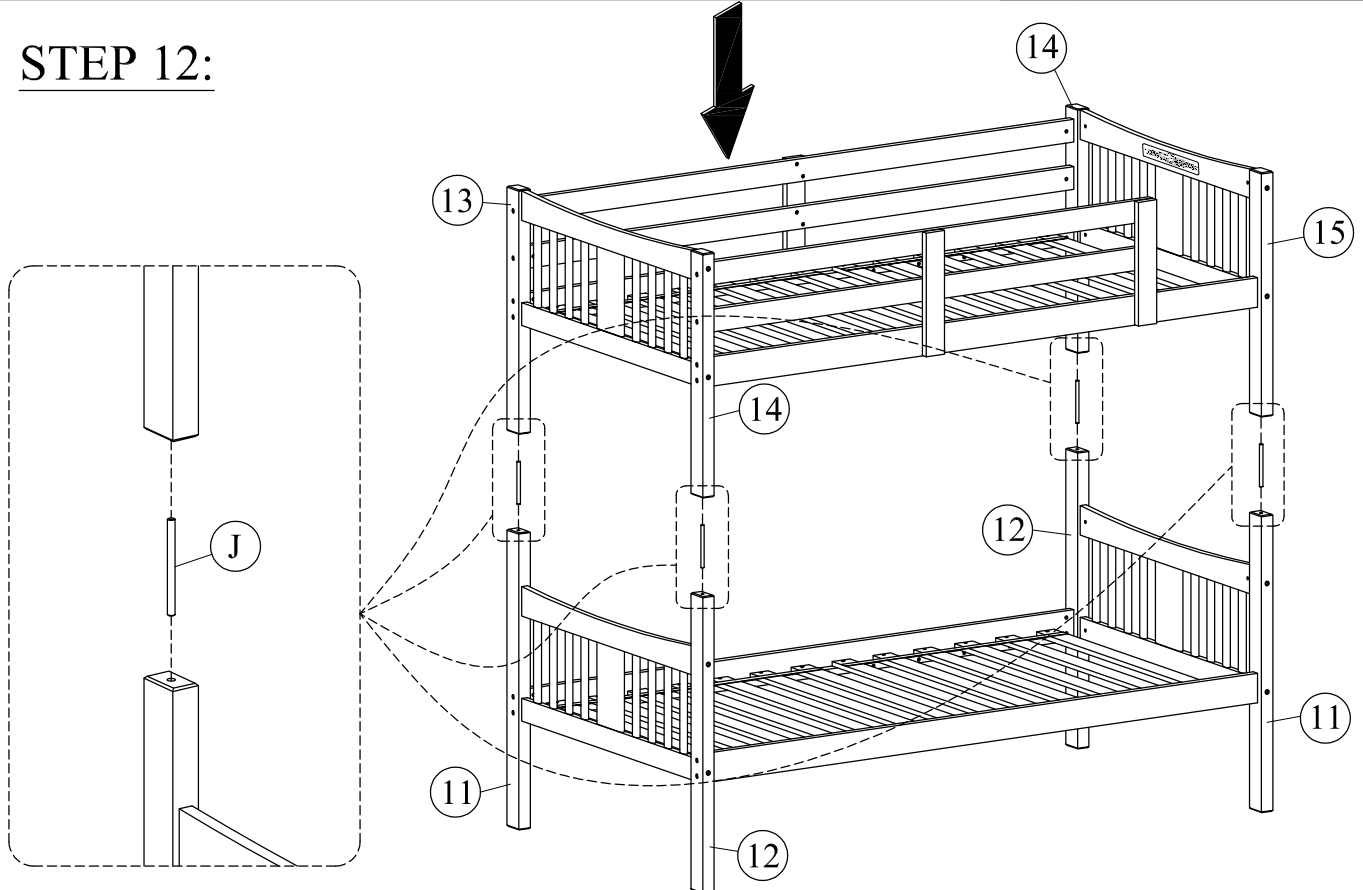
(B)		1pc
(G)	 M6*30mm	8pcs

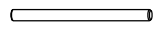
STEP 11:



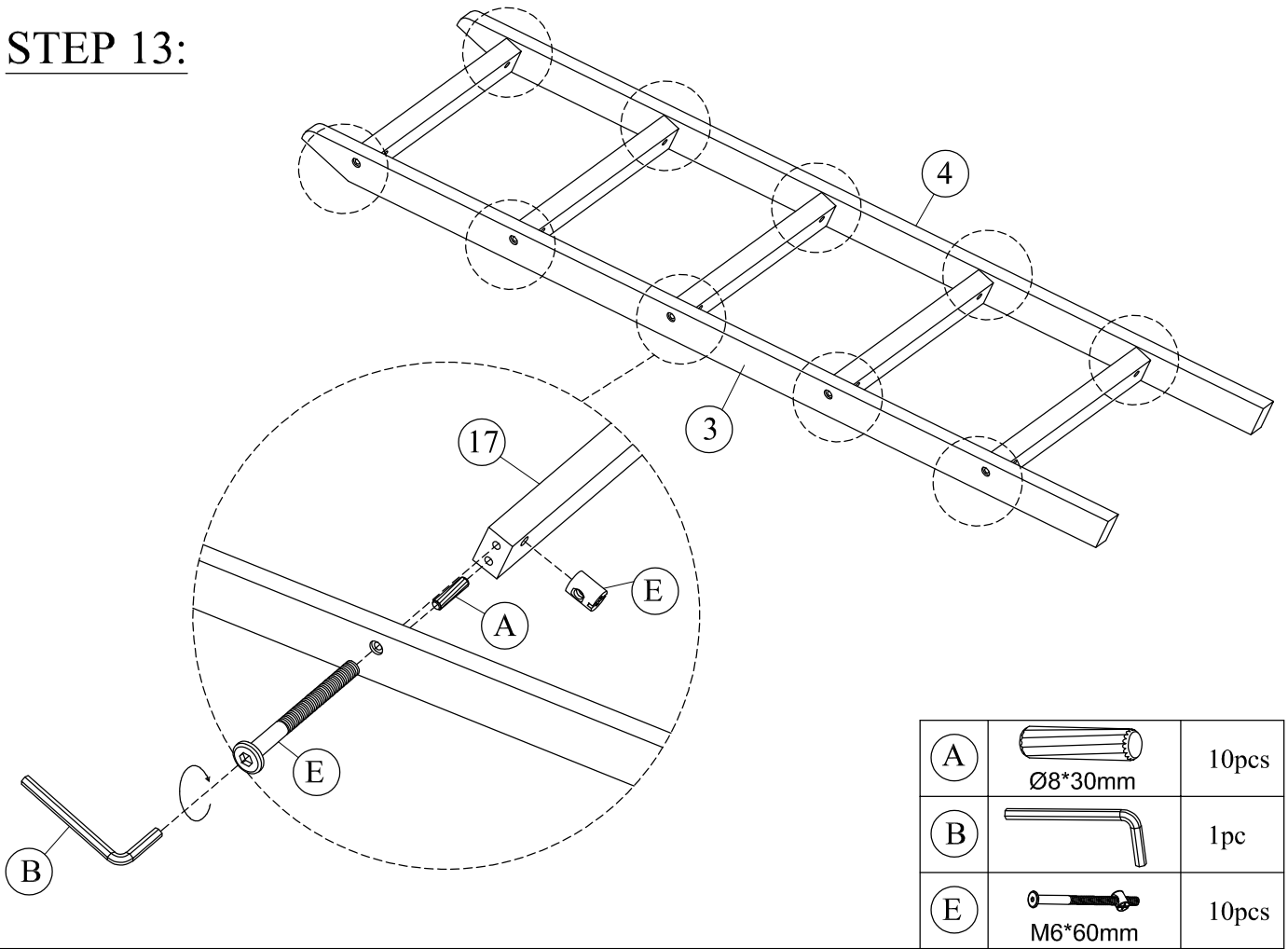
H	 Ø8*30mm	18pcs
---	--	-------




STEP 12:



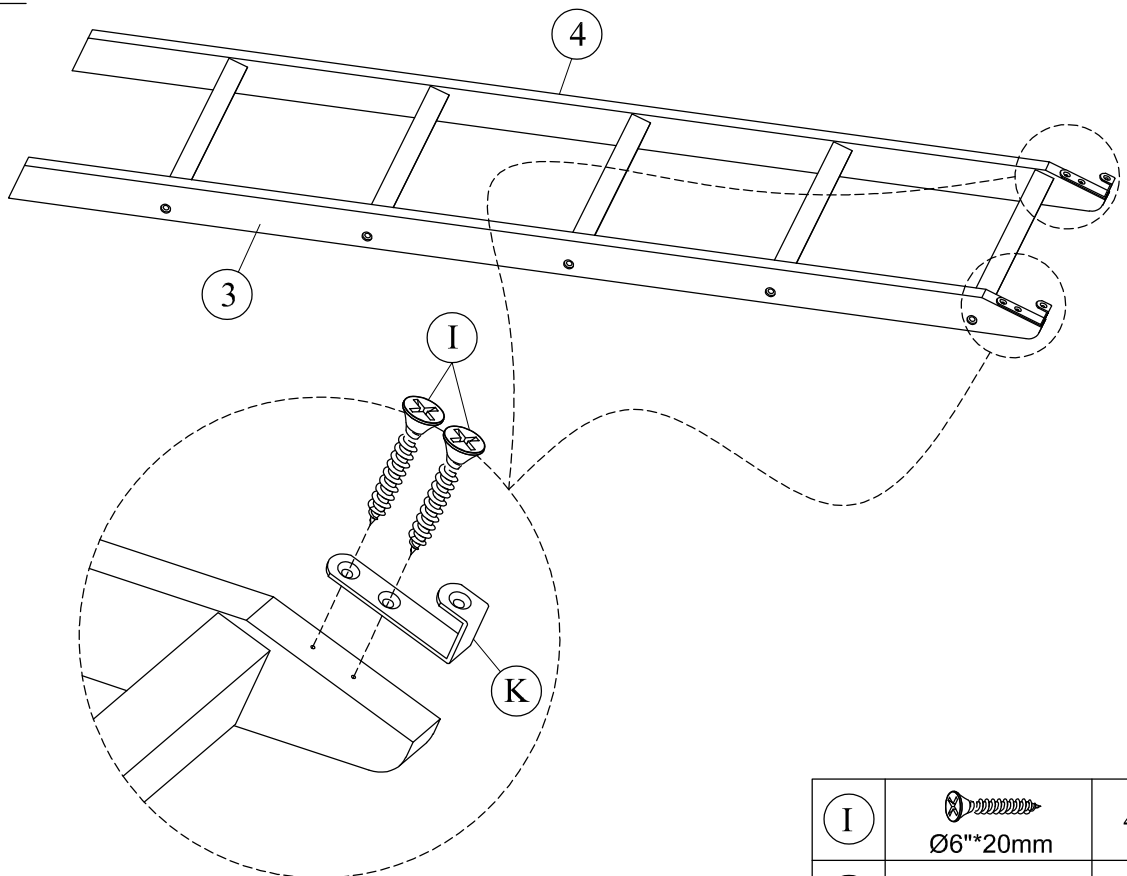
J	 Ø10*130mm	4pcs
---	--	------



STEP 13:



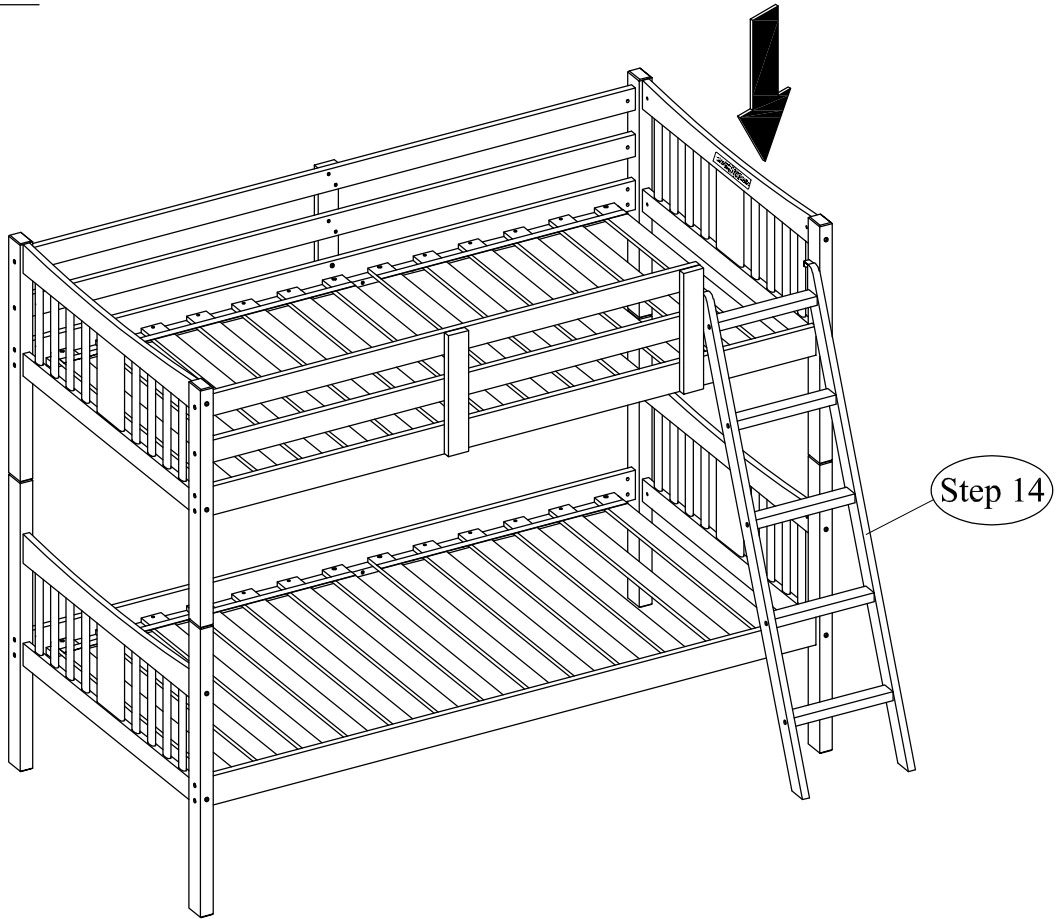
(A)	 Ø8*30mm	10pcs
(B)		1pc
(E)	 M6*60mm	10pcs

STEP 14:

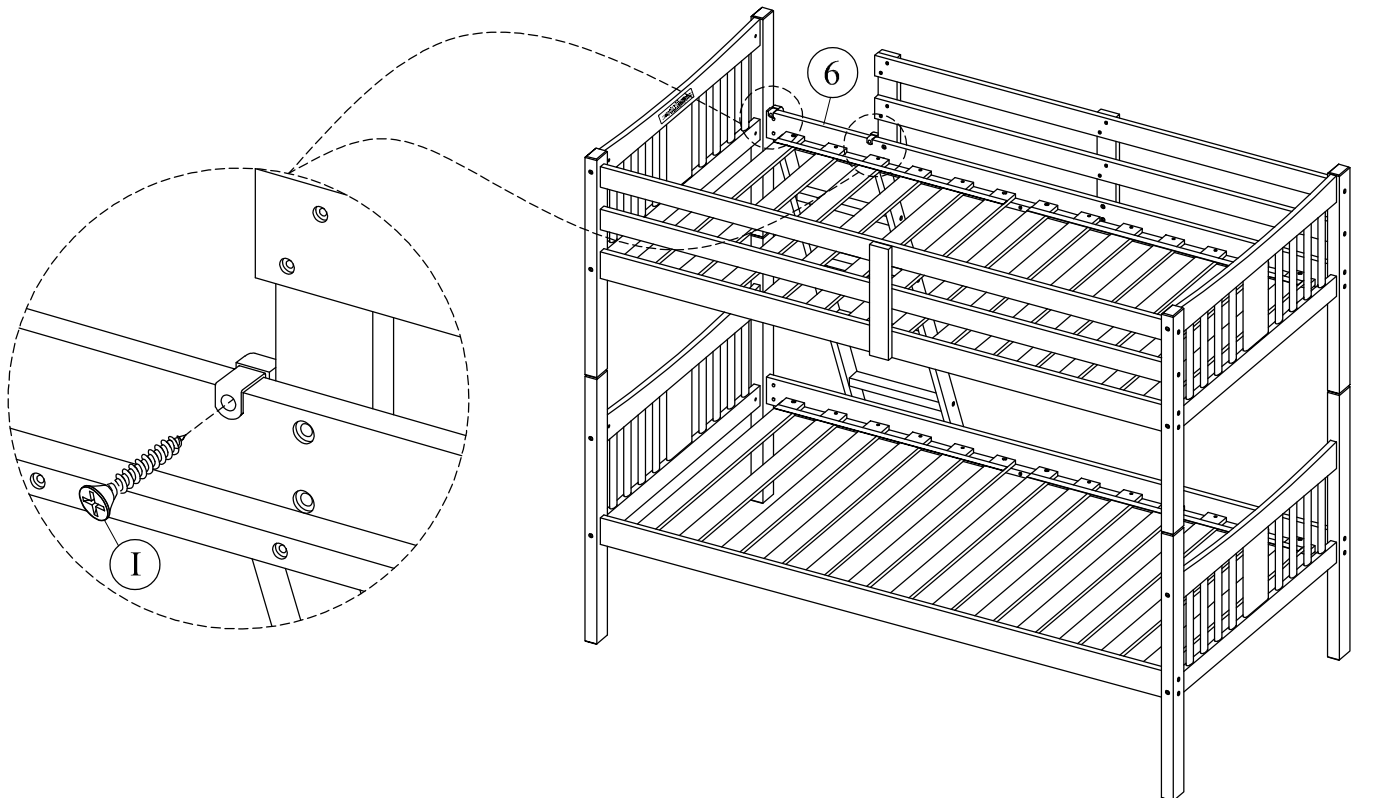


(I)	 Ø6**20mm	4pcs
(K)		2pcs

STEP 15:



STEP 16:



I	 Ø6"*20mm	2pcs
---	---	------



Technical Support

(909)637-7665 | (909)637-7593

Other Info

HJ-Customer-Service@outlook.com

Thank you for choosing this product. We strive to provide you with the best quality products and service in the industry. Should you have any issues, please don't hesitate to contact us.