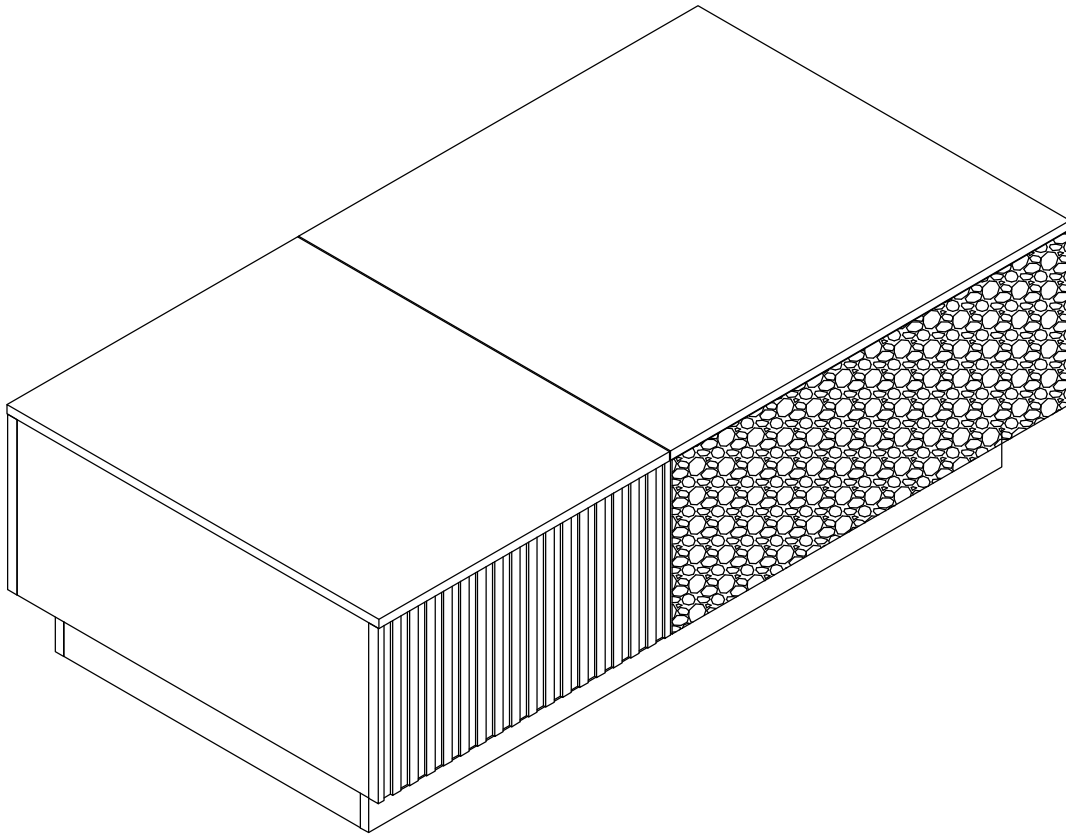


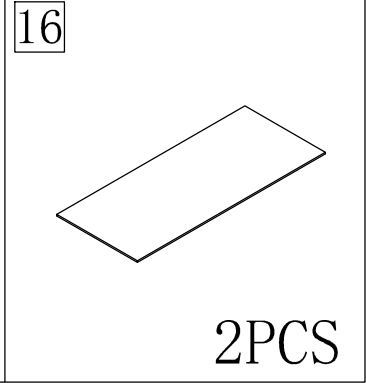
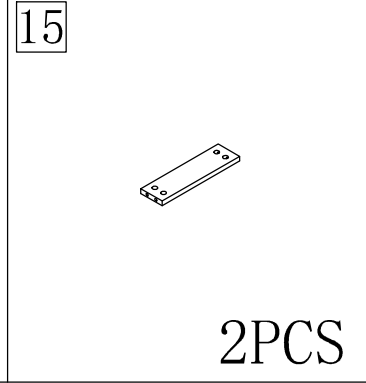
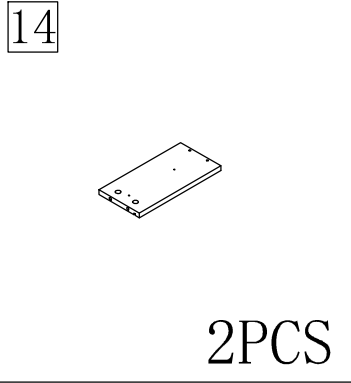
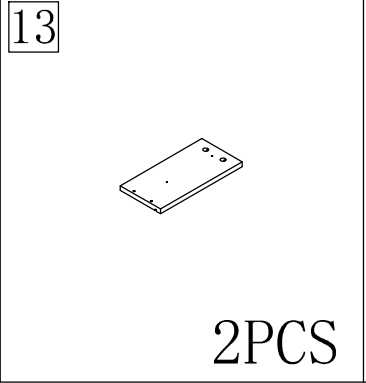
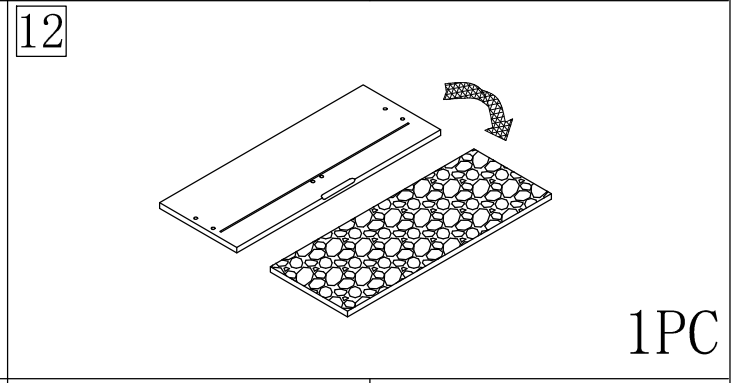
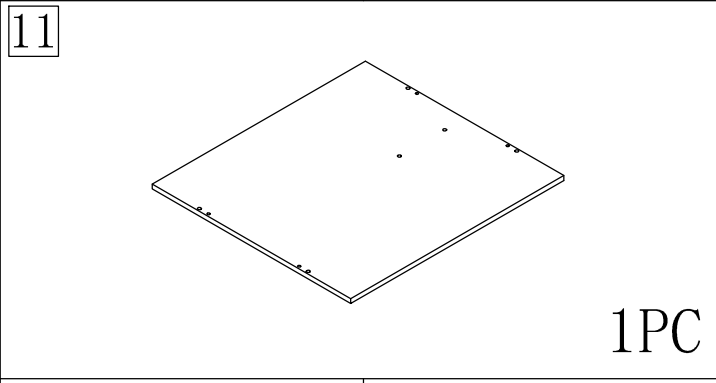
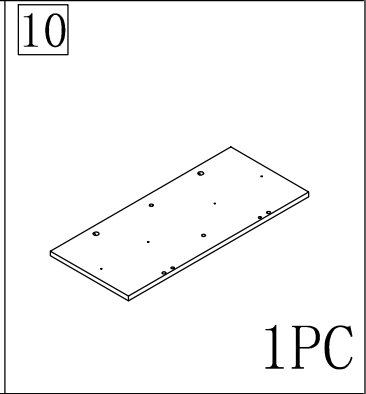
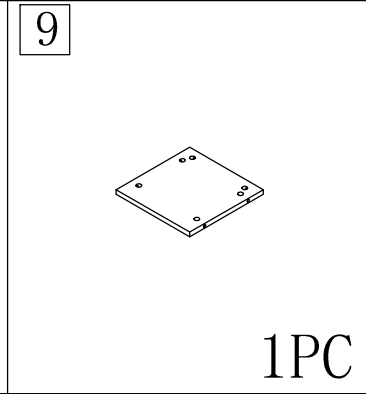
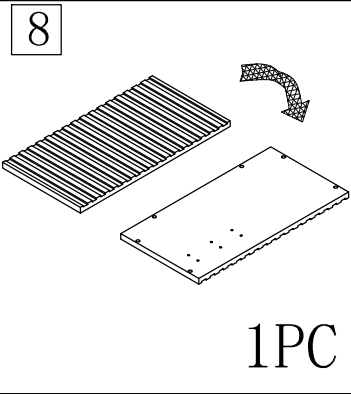
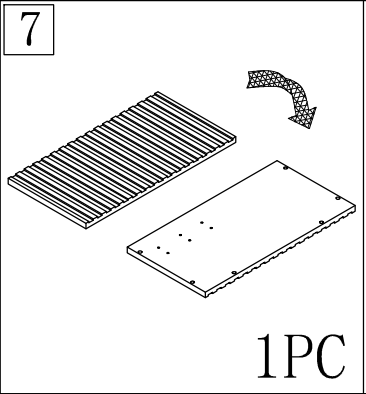
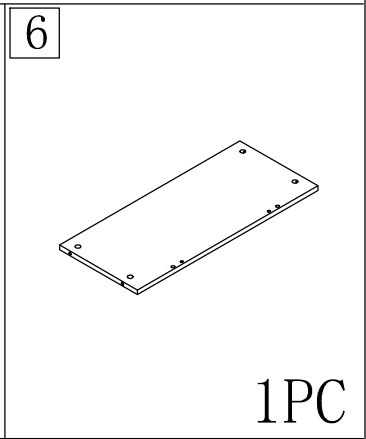
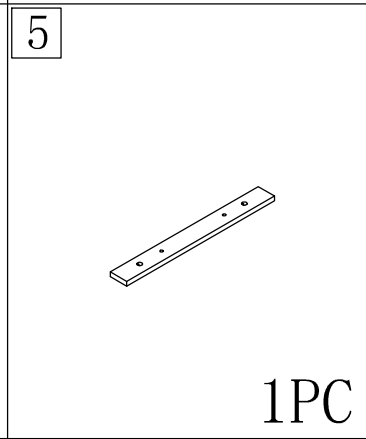
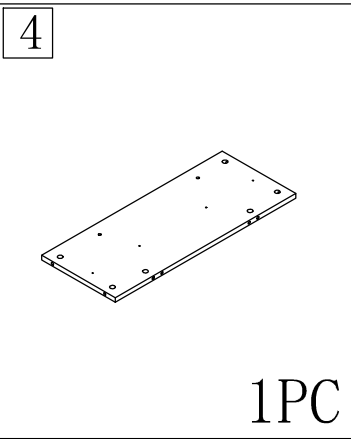
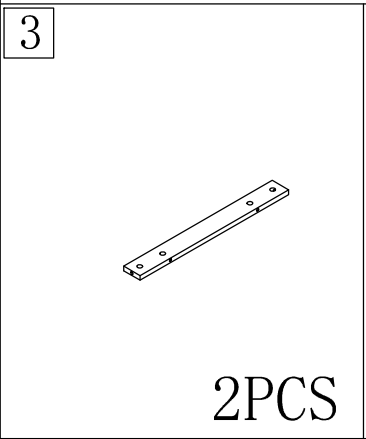
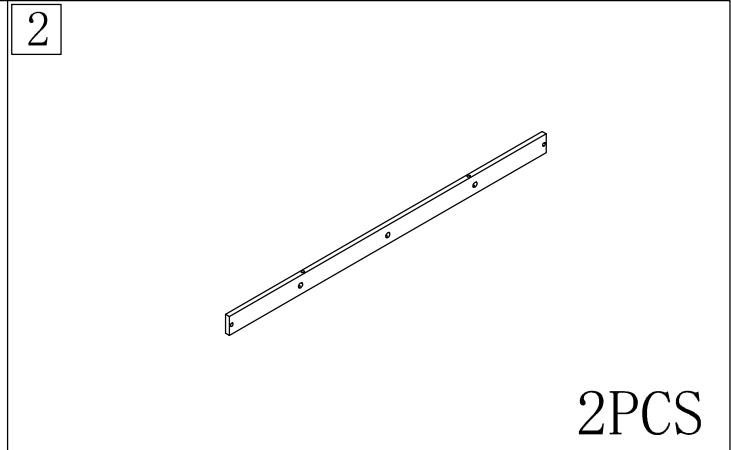
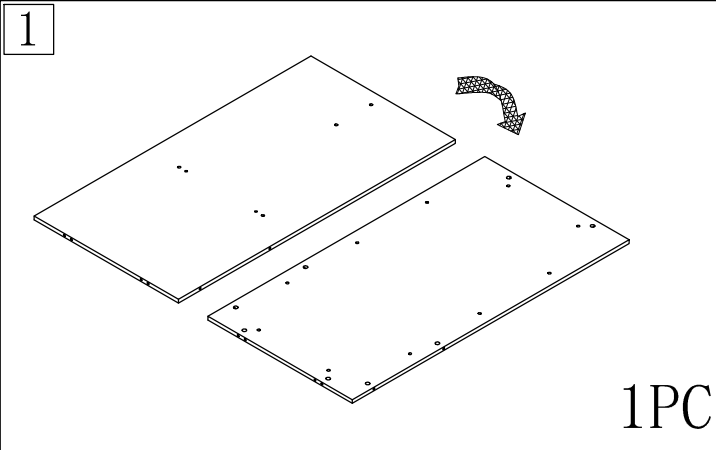
# Coffee table

Installation Instructions

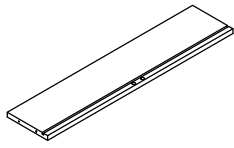
For specification: 130cm(L)x70cm(W)x38cm(H)





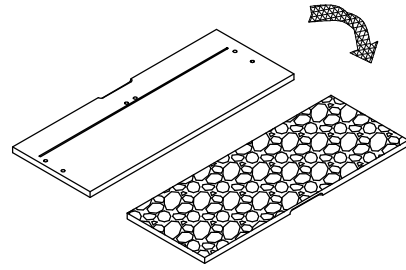


17



2PCS

18



1PC

19



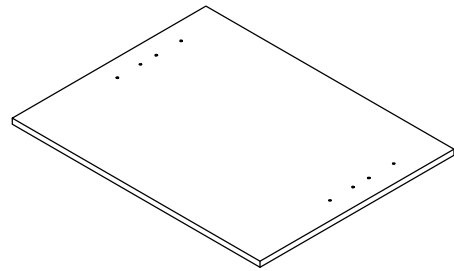
1PC

20



1PC

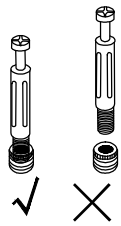
21



1PC

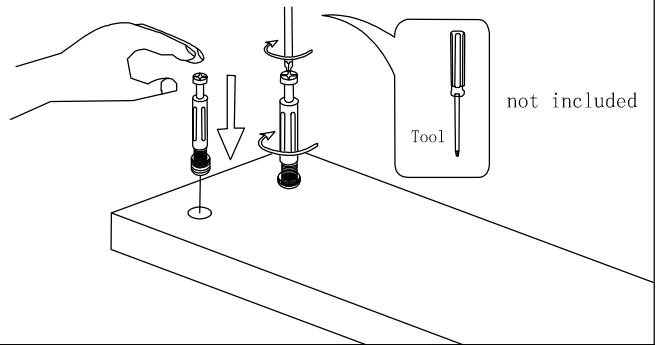
### "A" Hardware installation example

I

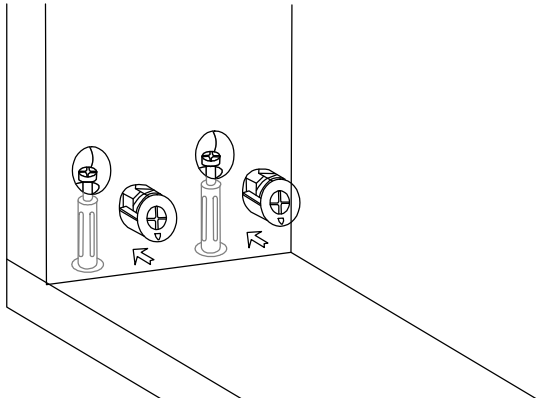


This part cannot be separated, please install in strict accordance with the assembly requirements

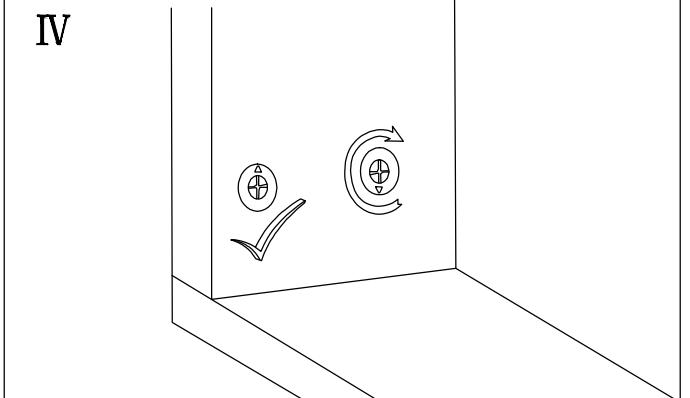
II



III

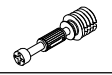


IV

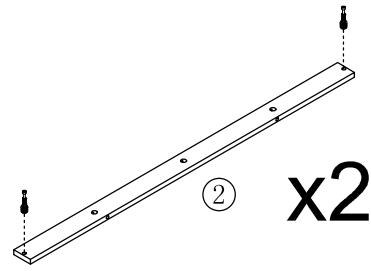
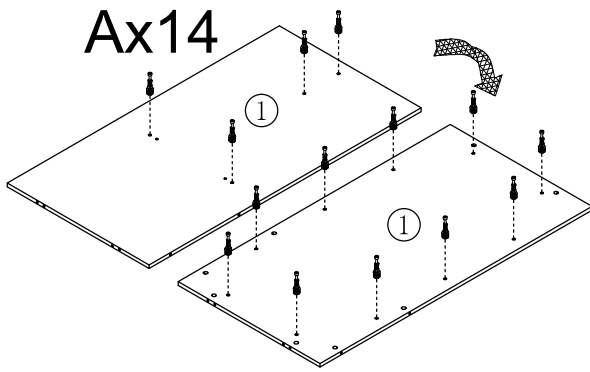


Step 1

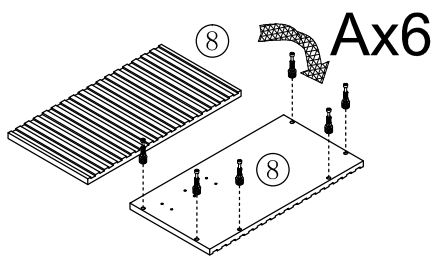
A 58PCS



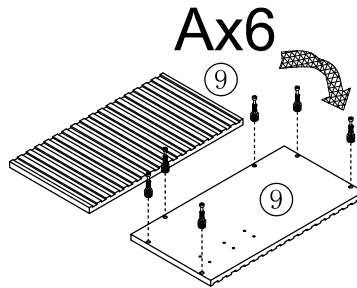
Ø6\*35mm



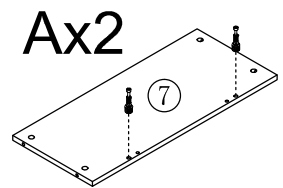
x2



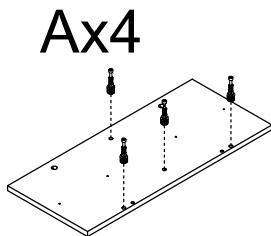
Ax6



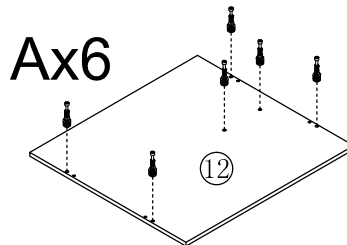
Ax6



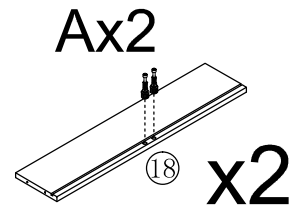
Ax2



Ax4

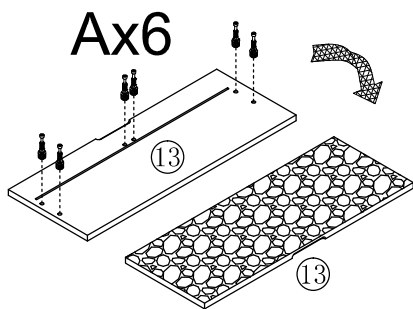


Ax6

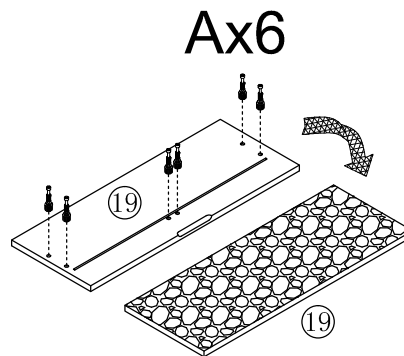


Ax2

x2

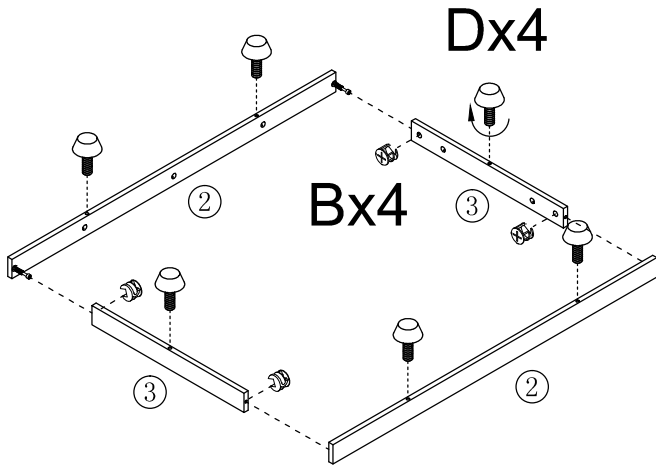


Ax6

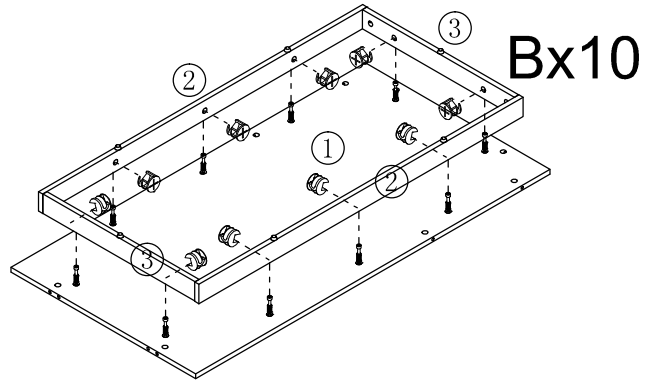
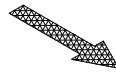


Ax6

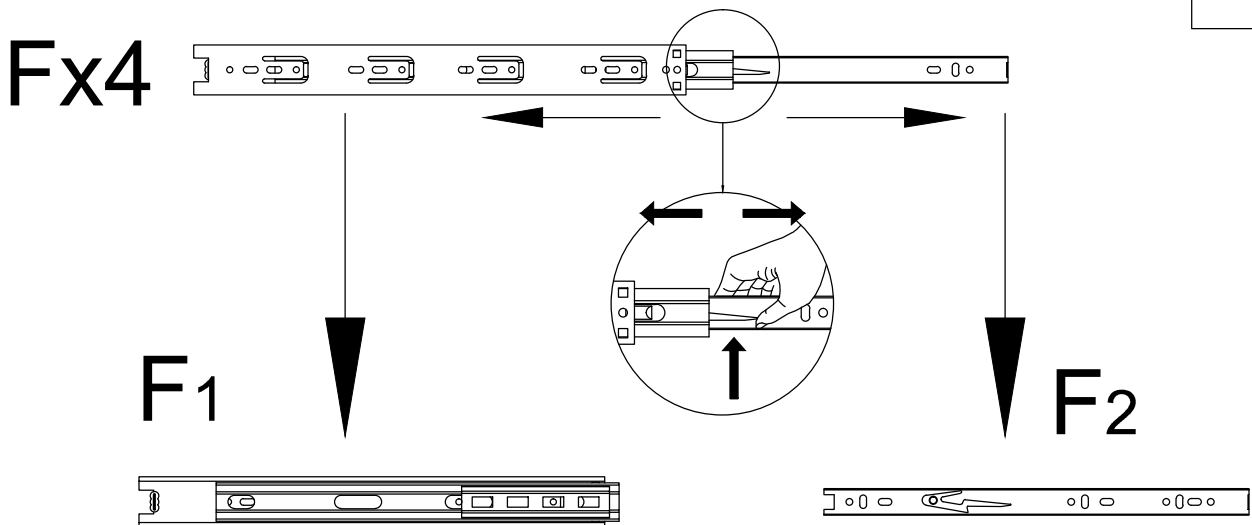
### Step 2



B	14PCS
Ø15*10mm	
D	6PCS
M6	

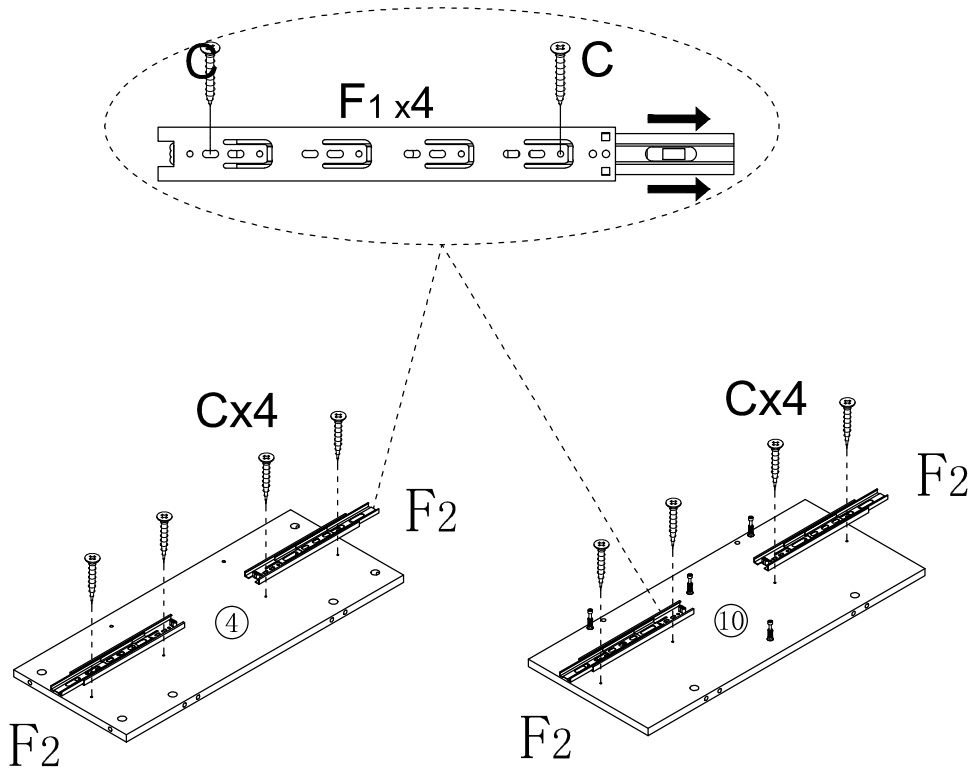




### Step 3



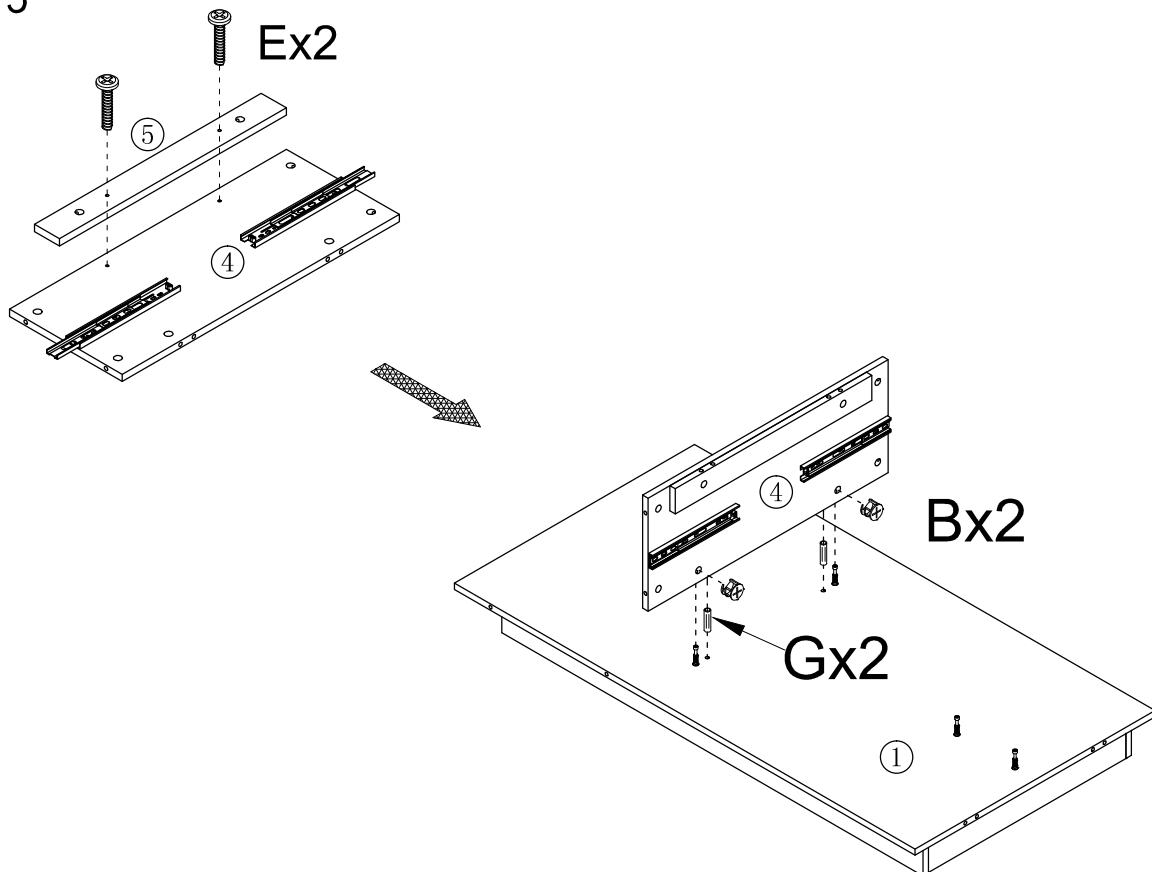
F	4PCS
12"	




### Step 4





C	8PCS
	
$\phi 3.5 \times 14 \text{mm}$	
F1	4PCS
	
12"	

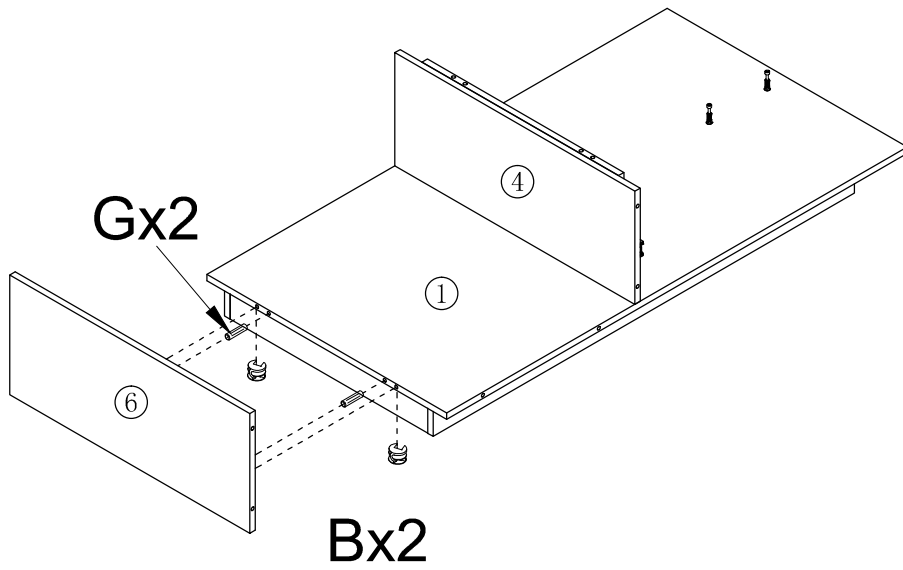
### Step 5




B	2PCS
	
$\phi 15 \times 10 \text{mm}$	
G	2PCS
	
$\phi 8 \times 30 \text{mm}$	
E	2PCS
	
$M6 \times 25 \text{mm}$	

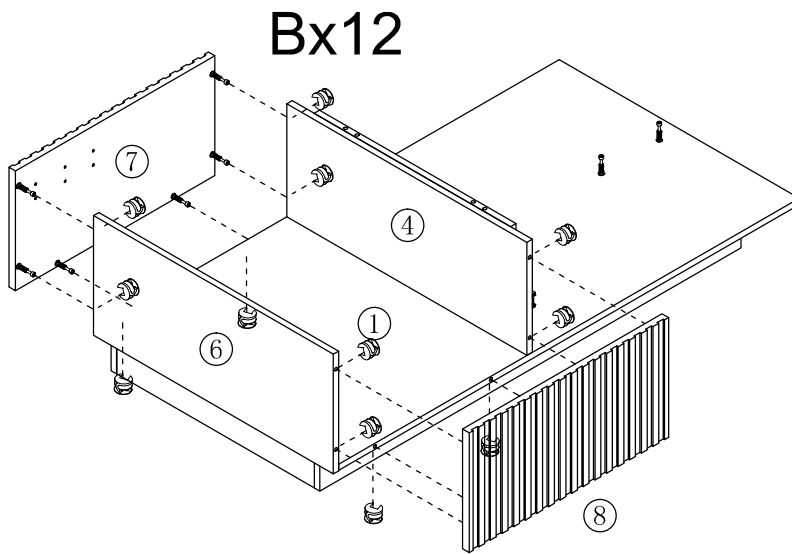
# Step 6

B	2PCS
	
Ø15*10mm	
G	2PCS
	
Ø8*30mm	




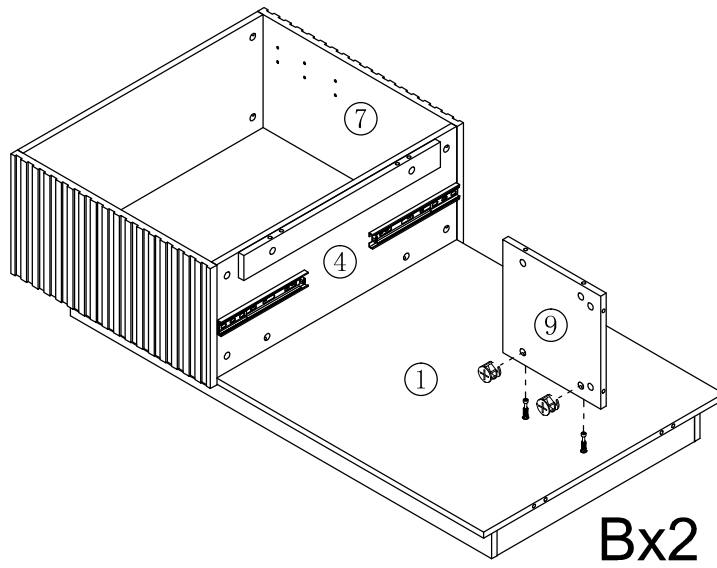
# Step 7

B	12PCS
	
Ø15*10mm	





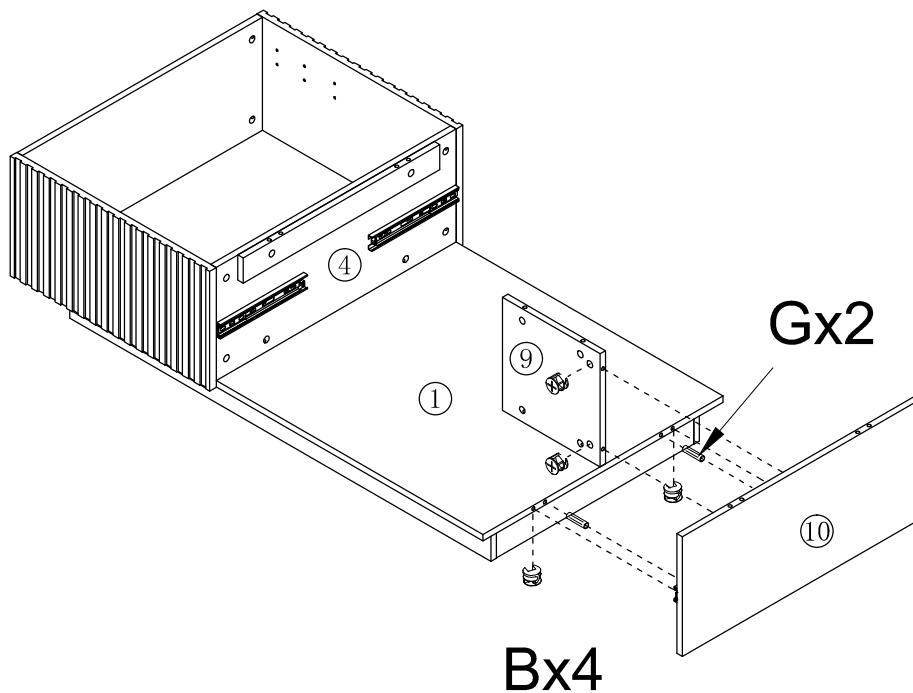
# Step 8

B	2PCS
	
Ø15*10mm	



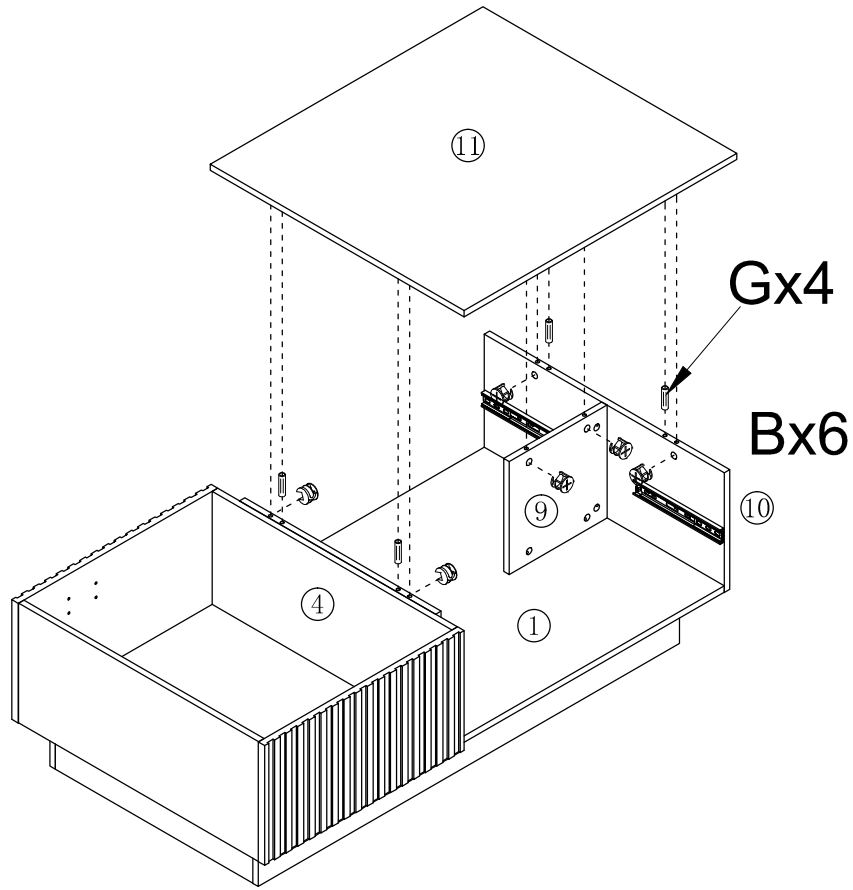
# Step 9



B	4PCS
	
Ø15*10mm	
G	2PCS
	
Ø8*30mm	



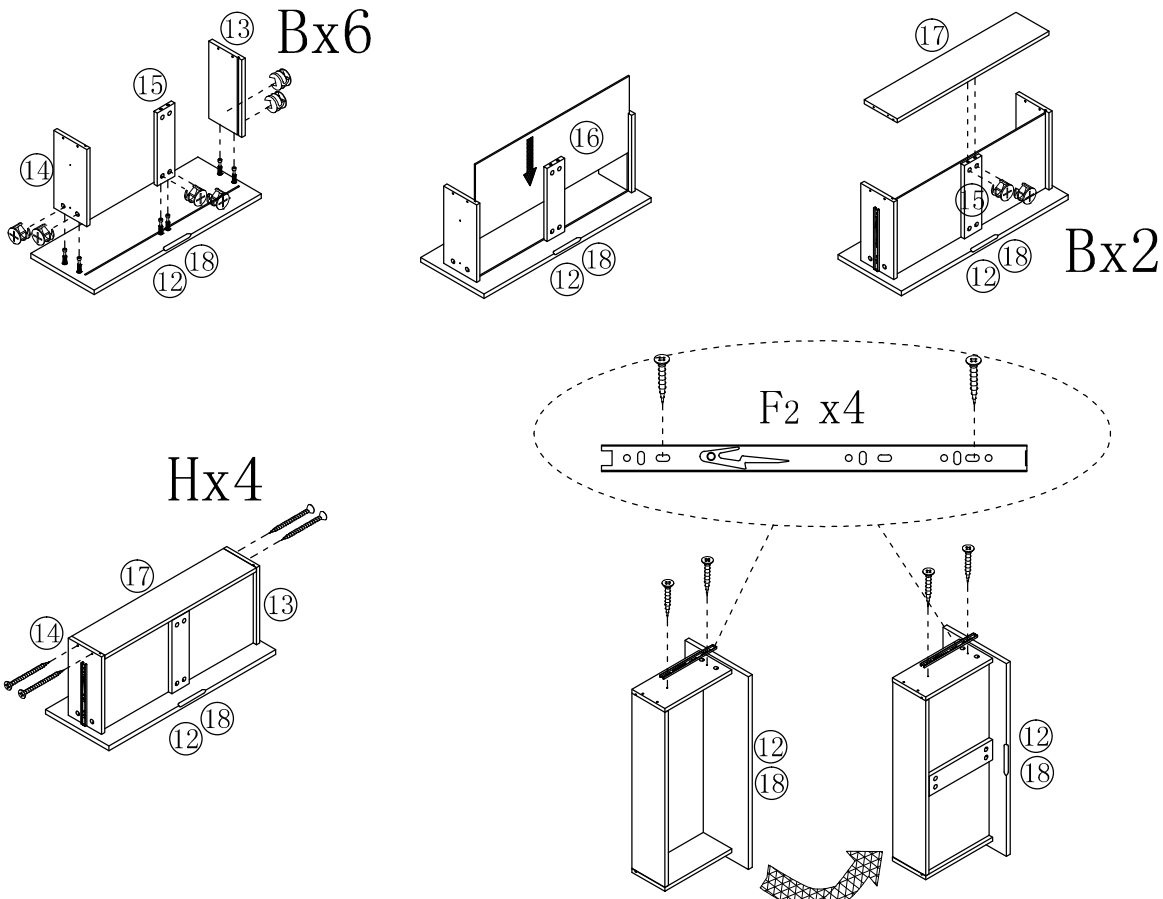
**x2**





# Step 10



B	6PCS
	
Ø15*10mm	
G	4PCS
	
Ø8*30mm	

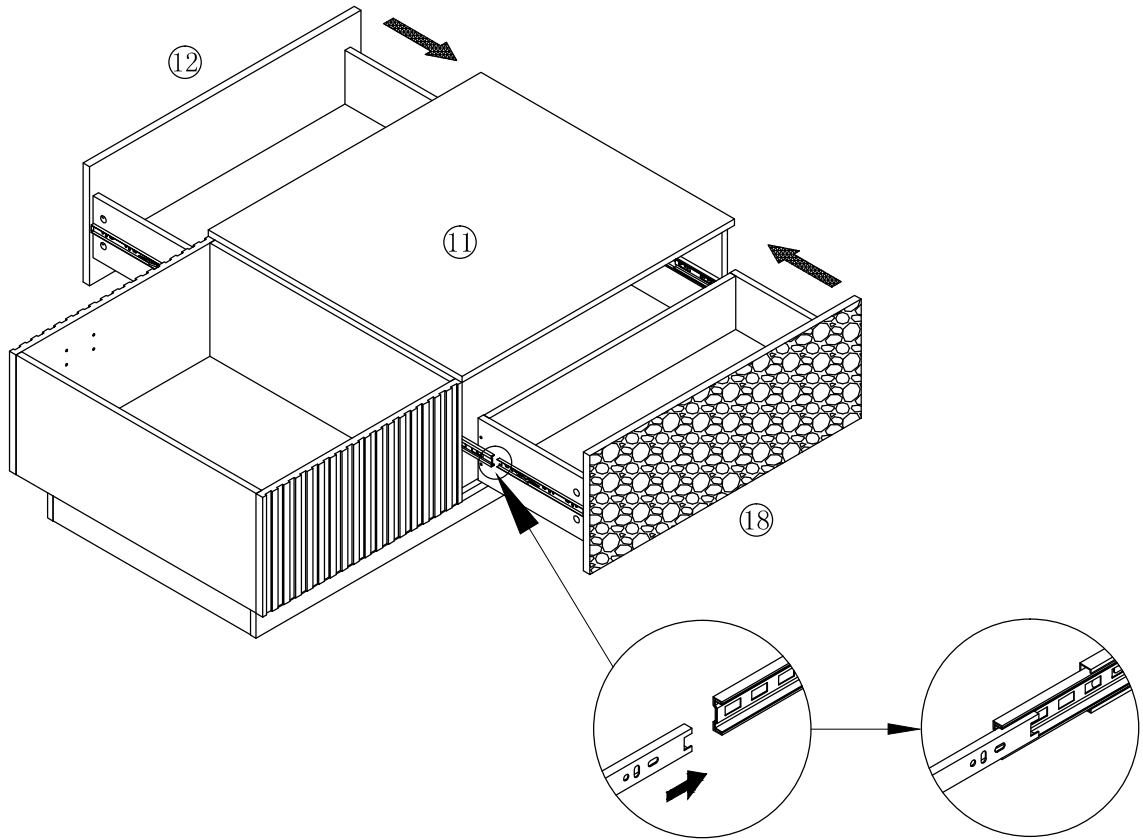
# Step 11



B	16PCS
	
Ø15*10mm	
C	8PCS
	
Ø3.5*14	
F2	4PCS
	
12"	
H	8PCS
	
Ø3.5*40	

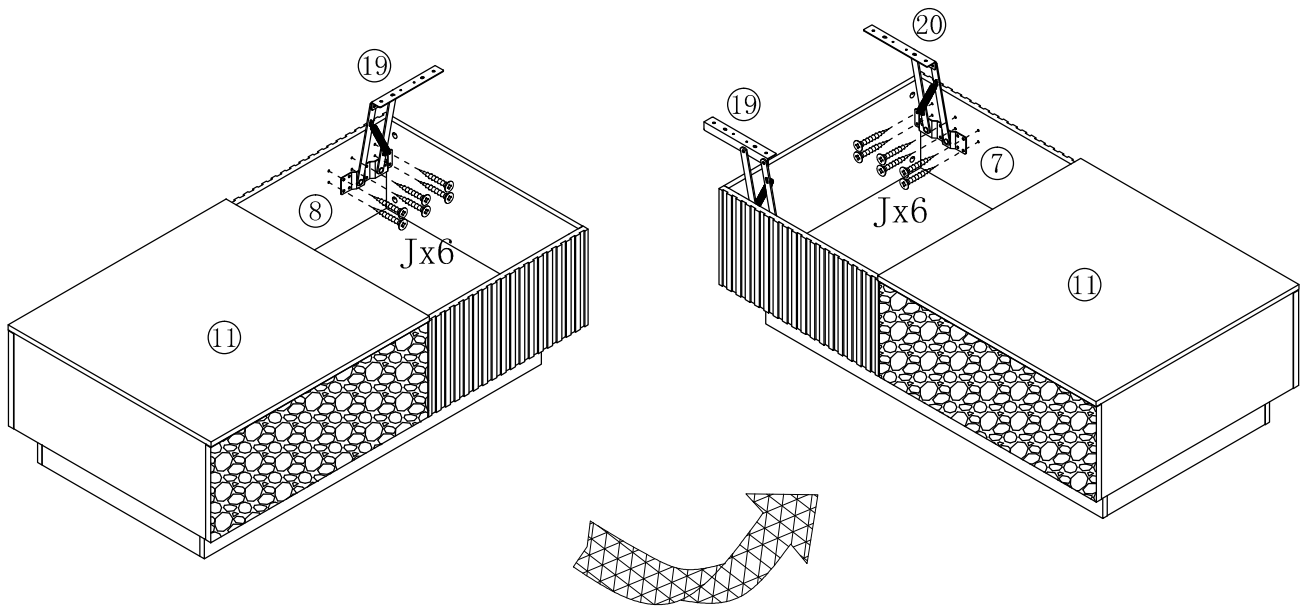
**x2**

# Step 12



# Step 13

J | 12PCS  
Ø4\*15mm



# Step 14

C 4PCS

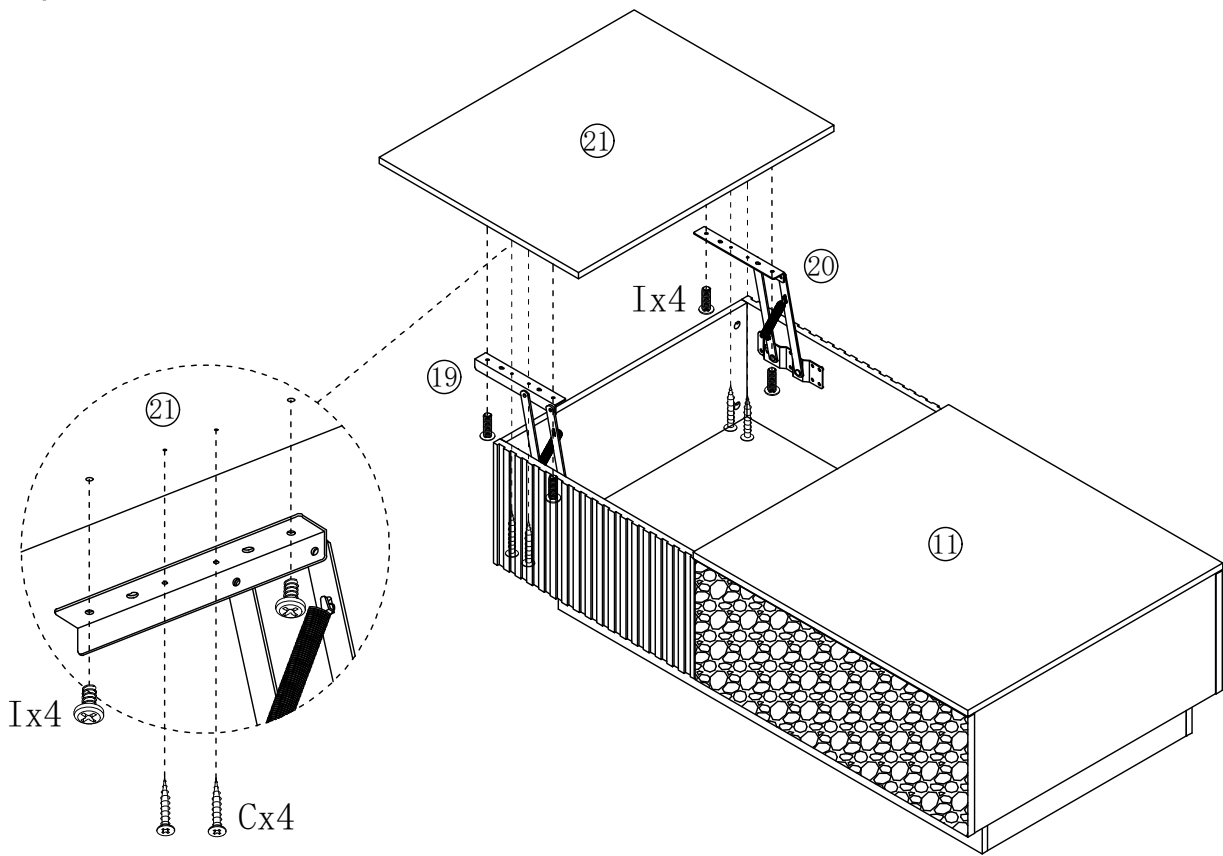


Ø3.5\*14

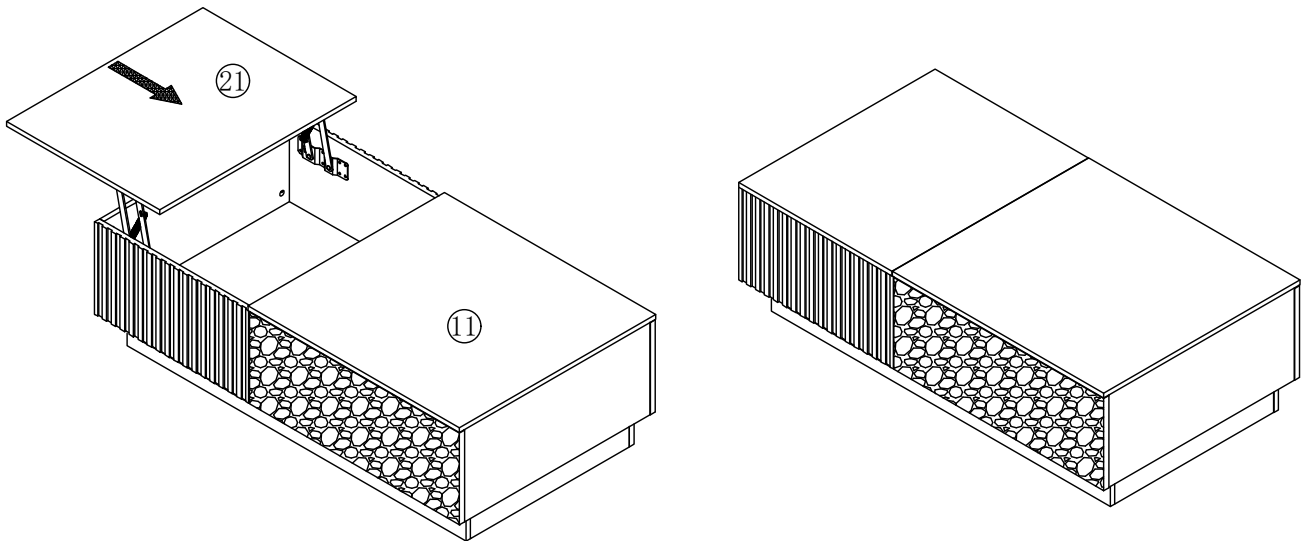
I 4PCS



M6\*12mm



# Step 15



OK