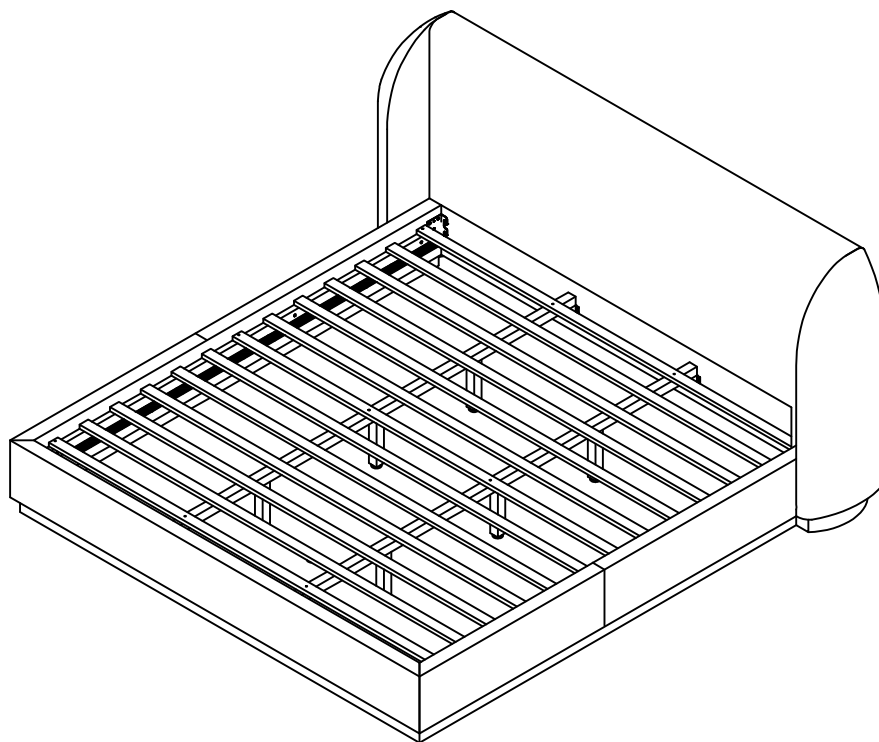
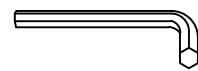


ASSEMBLY INSTRUCTIONS



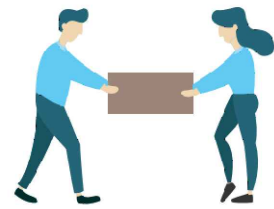
TOOLS REQUIRED



Allen Wrench
(Included)



Screwdriver
(Not Included)



2 - Persons
Recommended

ASSEMBLY RATING



EASY —————> DIFFICULT

The Assembly Rating is a 5-point system showing the level of effort needed to assemble a specific product.



CHECK BEFORE STARTING

Are you missing anything?

Double-check all parts, hardware and accessories listed are all accounted for.

Check out our Quick Tips!

We recommend reviewing the pre-assembly handouts. Even experts need a refresher now and then!

Should we send any replacements?

Are there any irregularities or flaws in the parts? We can send replacements!

Prep Time!

Please review the assembly instructions and all diagrams prior to assembling.

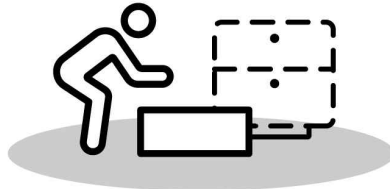
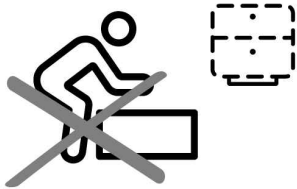
PRE ASSEMBLY INTRODUCTION

We understand building ready-to-assemble furniture can be a challenging experience for some. To help avoid confusion, we have provided some helpful tips that may speed up the process.



Teamwork

ALWAYS have at least two people to help with transporting and assembling the product to avoid potential injury and/or damage.



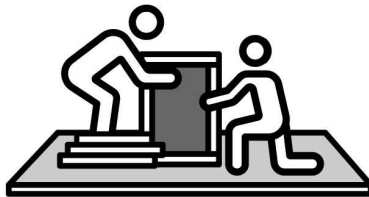
Suitable Location

Assembling near the area of the intended location is highly recommended.



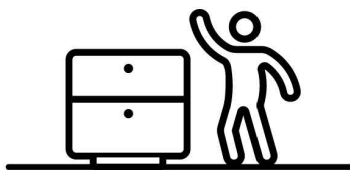
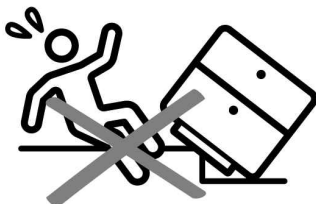
Sufficient Space

Make sure you have enough space to move around during the assembly.



Avoid Scratches

Use cardboard, blankets or a carpeted area while assembling furniture to prevent scratches and damages.



Flat Surface

Make sure the furniture rests on a flat and level surface with each leg evenly touching the floor.

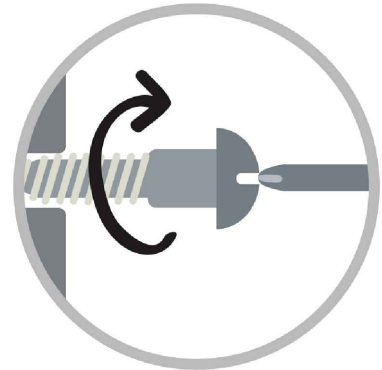
ASSEMBLY AND CARE ADVICE



FAILURE TO FOLLOW THE GUIDELINES BELOW MAY RESULT IN INJURY AND/OR PROPERTY DAMAGE.



Position each part correctly and insert screws or bolts into their respective holes.



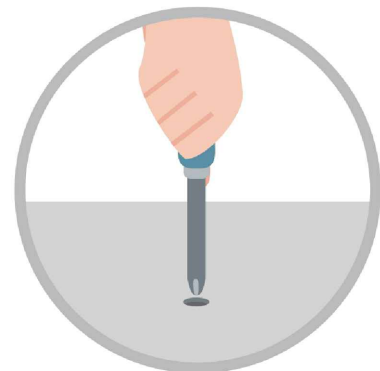
Turn clockwise to tighten and only tighten when step is completed or when instructed to do so.



Use the appropriate hand tools or power tools for assembly. Select steps, such as tightening screws and/or bolts, may require hand tools to avoid causing damage during assembly.



Save the instructions and store any supplied tools for later maintenance.



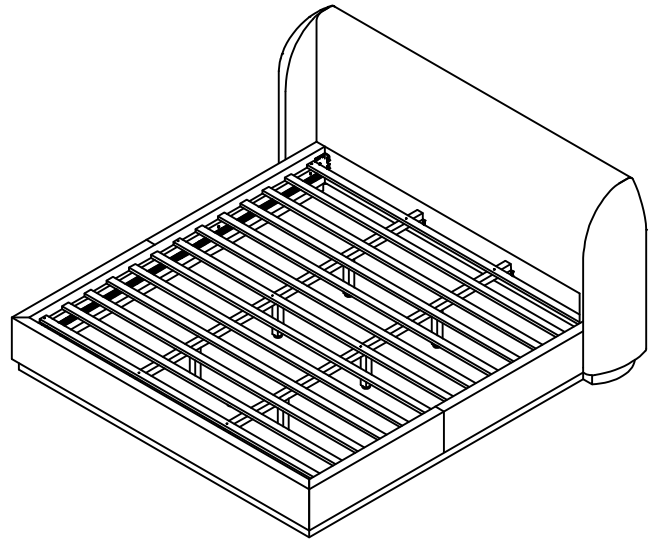
After two weeks, check and tighten any loose hardware and repeat again every six months thereafter.

IT IS THE USER'S RESPONSIBILITY TO MAINTAIN THE FURNITURE. THE HARDWARE MAY LOOSEN OVER TIME AND MAY CAUSE THE FURNITURE TO BE WOBBLY AND UNABLE TO SUPPORT ITS INTENDED WEIGHT CAPACITY. THIS MAY LEAD TO COLLAPSE AND MAY CAUSE SERIOUS INJURY.

KING BED

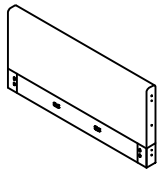


- Please keep instructions for future reference.
- Check the quantity and irregularity of parts and hardware before you start.



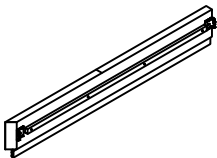
PARTS

#1 1pc



Headboard

#4 2pcs



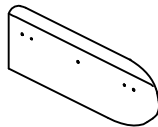
Side Rail

#7 6pcs



Support Leg

#2 2pcs



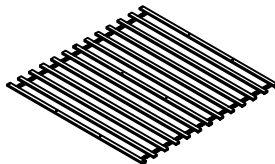
Headboard Wing

#5 2pcs



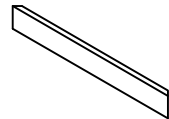
Headboard Leg

#8 1set



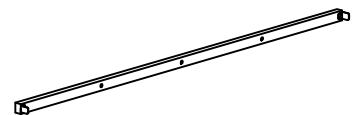
Slat

#3 1pc



Footboard

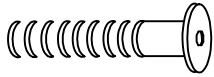
#6 2pcs



Center Rail

HARDWARE

#A 6pcs



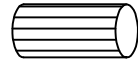
Jcbc Bolt M6 x 40mm

#B 6pcs



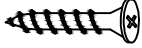
M6 Flat Washer

#C 8pcs



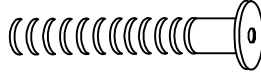
Wood Dowel M8 x 30mm

#D 4pcs



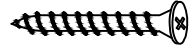
Wood Screw M4 x 20mm

#E 4pcs



Jcbc Bolt M6 x 60mm

#F 12pcs



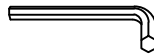
Wood Screw M4 x 32mm

#G 1pc



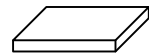
M4 Allen Wrench

#H 1pc



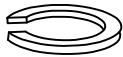
M5 Allen Wrench

#I 15pcs

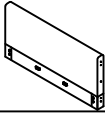
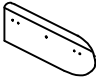

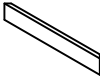









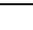



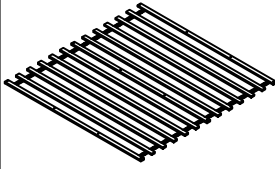


PROTECTIVE DISC

#J 6pcs



M6 Spring Washer

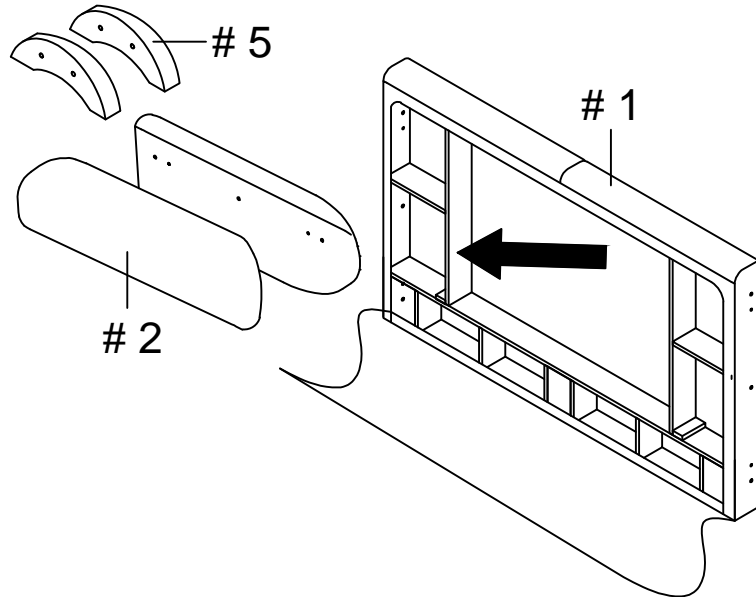
Carton	Designation	Part		Hardware
	Headboard (1pc)	#1		
	Headboard Wing (2pcs)	#2		
	Headboard Leg (2pcs)	#5		
	Footboard (1pc)	#3		<ul style="list-style-type: none">  #A x 6pcs  #B x 6pcs  #C x 8pcs  #D x 4pcs  #E x 4pcs  #F x 12pcs  #G x 1pc  #H x 1pc  #I x 15pcs  #J x 6pcs
	Side Rail (2pcs)	#4		
	Center Rail (2pcs)	#6		
	Support Leg (6pcs)	#7		
	Slat (1Set)	#8		

ASSEMBLY INSTRUCTIONS

1

- Part #1 x1pc
- Part #2 x2pcs
- Part #5 x2pcs

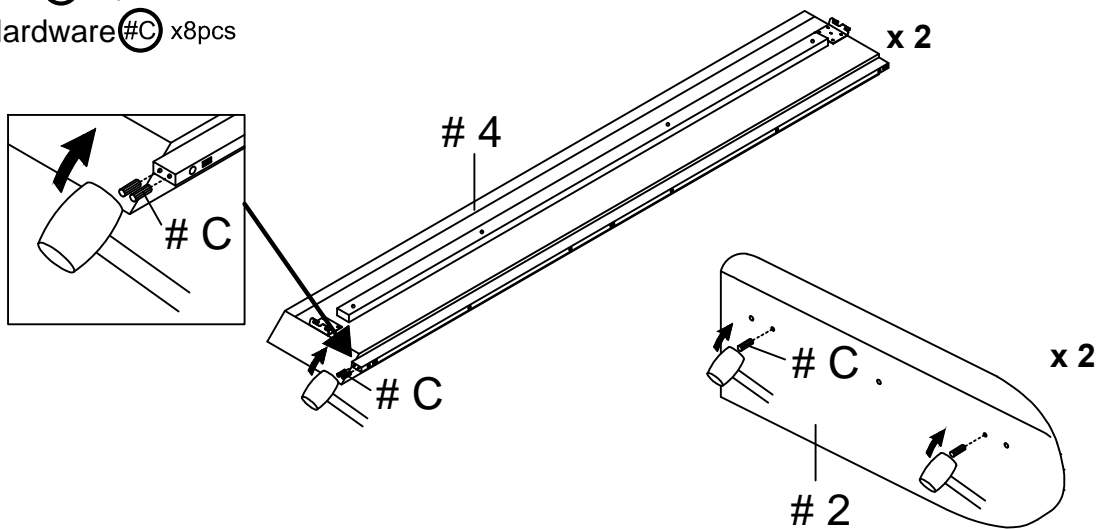
Take out headboard wing (#2) & headboard leg (#5) from the headboard back (#1).



2

- Part #2 x2pcs
- Part #4 x2pcs
- Hardware #C x8pcs

Attach wood dowel (#C) to the headboard wing (#2) and side rail (#4) as shown in the diagram.

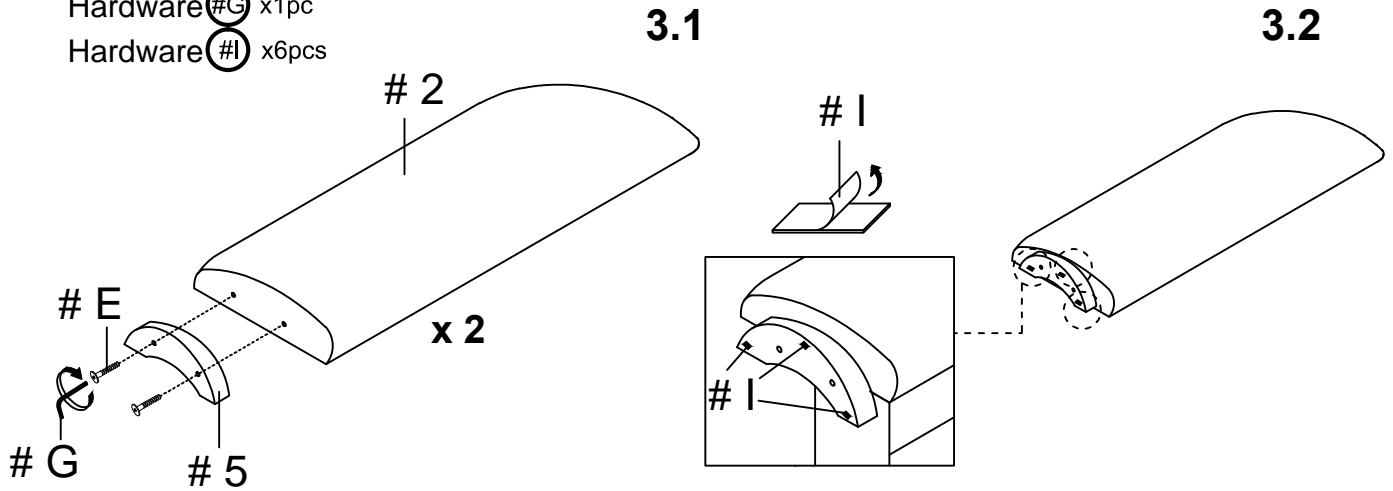


ASSEMBLY INSTRUCTIONS

3

- Part #2 x2pcs
- Part #5 x2pcs
- Hardware #E x4pcs
- Hardware #G x1pc
- Hardware #I x6pcs

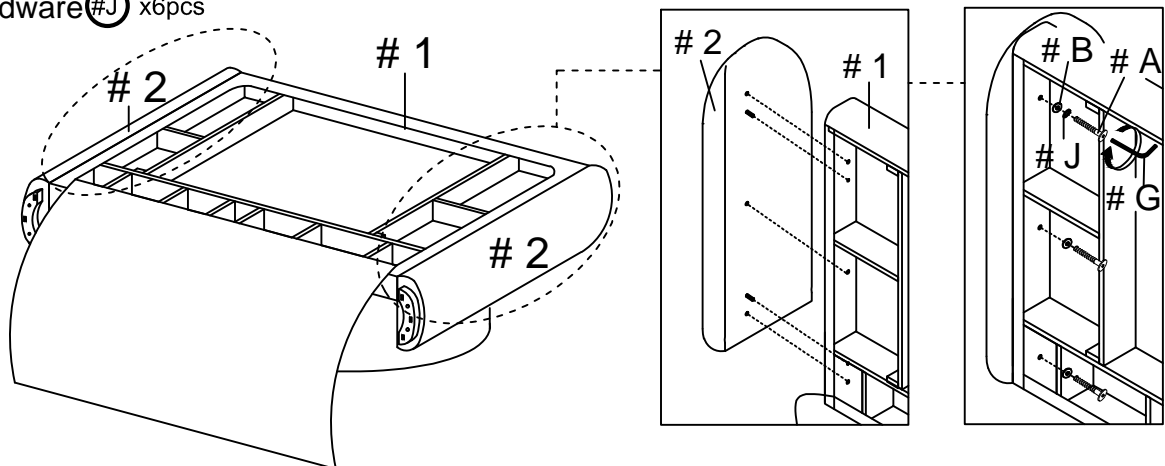
I. Attach the headboard leg (#5) to the headboard wing (#2), secure by using bolt assembly of bolt (#E).
 II. Attach the Protective Disc (#I) to the headboard leg (#5).



4

- Part #1 x1pc
- Part #2 x1pc
- Hardware #A x6pcs
- Hardware #B x6pcs
- Hardware #G x1pc
- Hardware #J x6pcs

Attach the headboard wing (#2) to the headboard (#1), secure by using bolt (#A) with spring washer (#J) and flat washer (#B).



ASSEMBLY INSTRUCTIONS

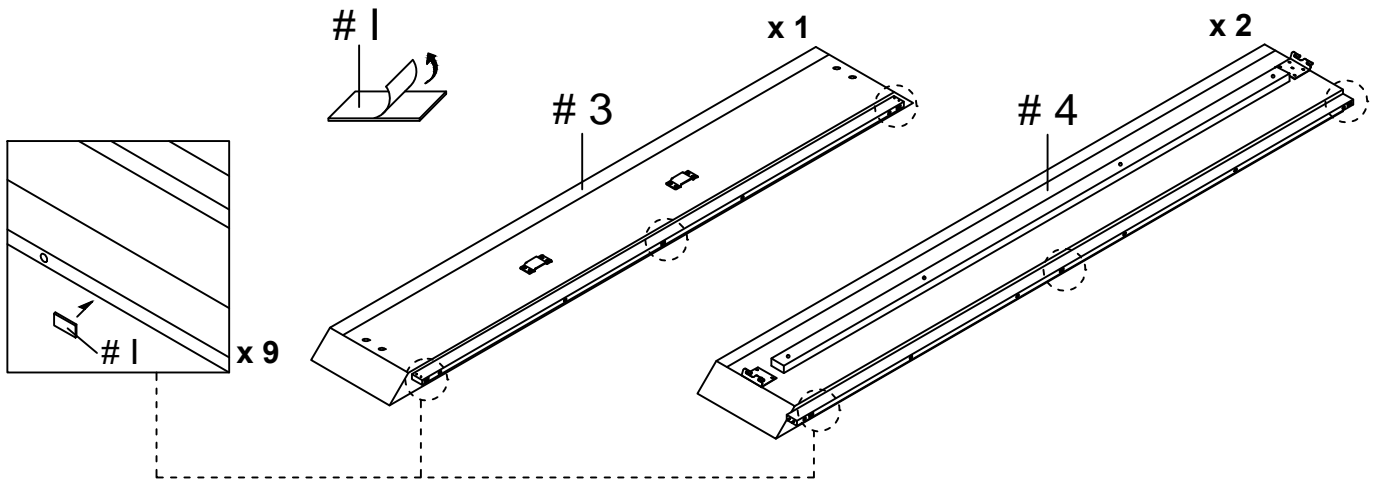
5

Attach the Protective Disc (#1) to the footboard (#3) and side rail (#4).

Part #3 x1pc

Part #4 x2pcs

Hardware #1 x9pcs



6

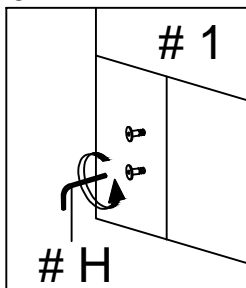
I. Loosen the pre-inserted bolt on the headboard (#1) using allen wrench (#H).
II. Align the side rail (#4) to the headboard (#1). Secure using allen wrench (#H).

Part #1 x1pc

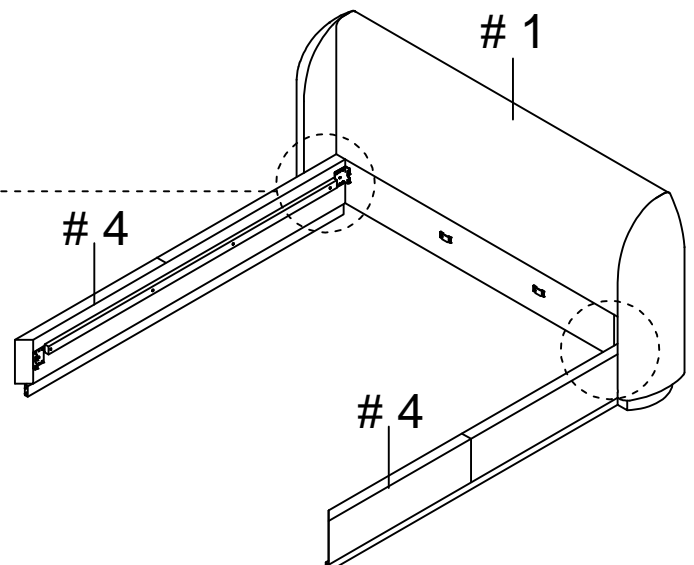
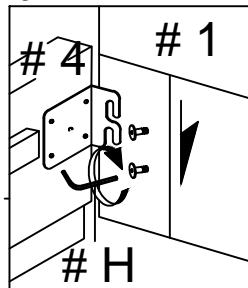
Part #4 x2pcs

Hardware #H x1pc

6.1



6.2

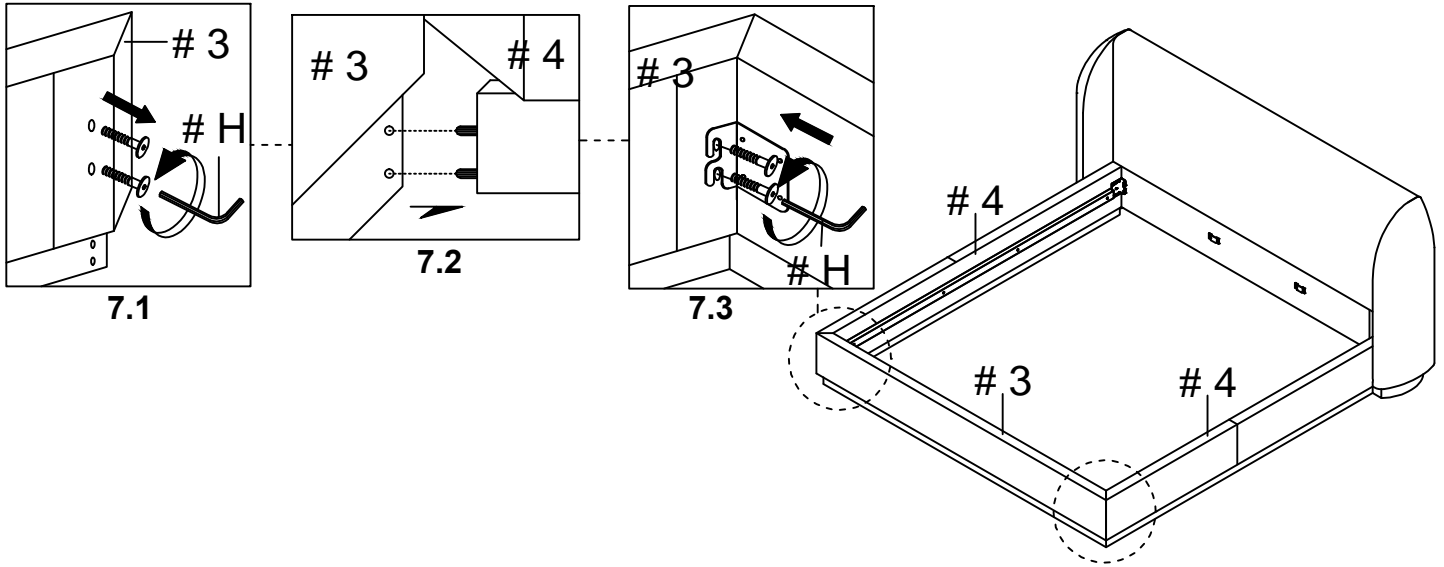


ASSEMBLY INSTRUCTIONS

7

Part #3 x1pc
Part #4 x2pcs
Hardware #H x1pc

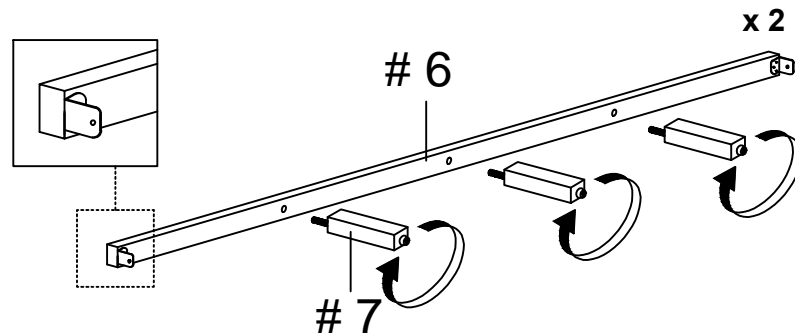
I. Take out the bolt first and using allen wrench (#H).
II. Align the side rail (#4) to the footboard (#3).
III. Secure back the bolt to footboard (#3) using allen wrench (#H).



8

Attach the support leg (#7) to the center rail (#6).

Part #6 x2pcs
Part #7 x6pcs

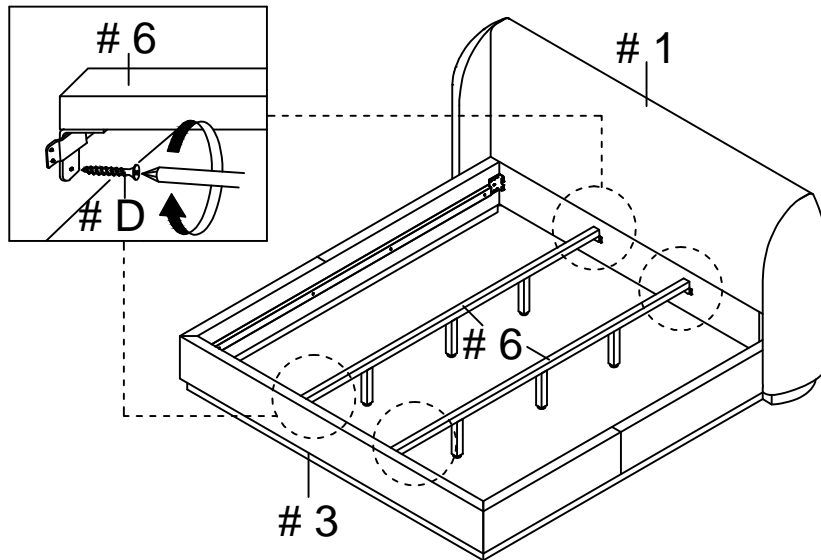


ASSEMBLY INSTRUCTIONS

9

Hook the center rail (#6) into the insert on the Headboard (#1) and the footboard (#3).

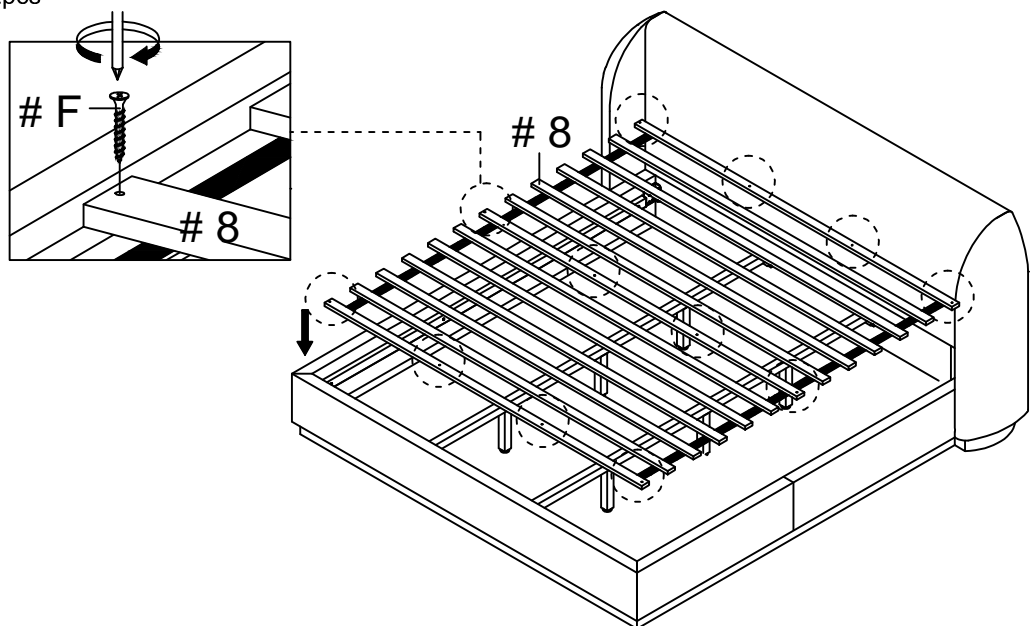
- Part #1 x1pc
- Part #3 x1pc
- Part #6 x2pcs
- Hardware #D x4pcs



10

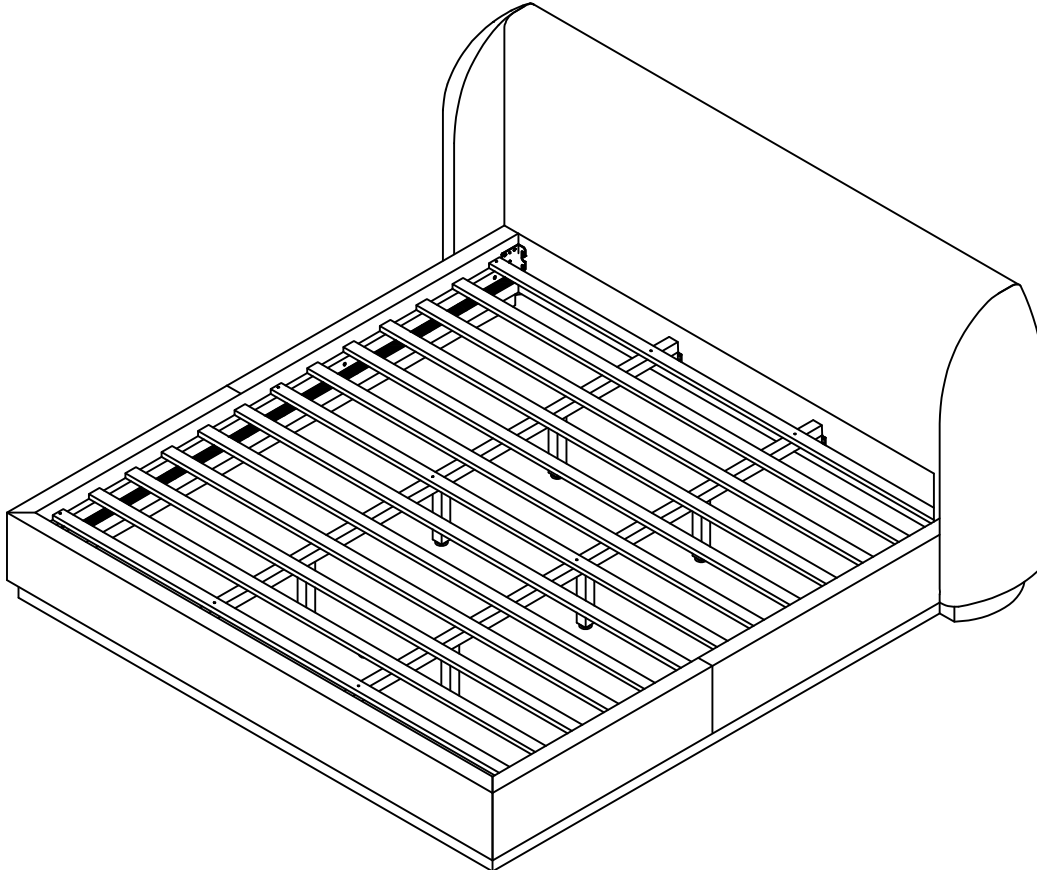
Spread slat set (#8) evenly over the rails (#4) and center rail (#6). Secure onto the side rails (#4) using Screw (#F).

- Part #8 x1set
- Hardware #F x12pcs



ASSEMBLY INSTRUCTIONS

11



ASSEMBLY COMPLETED



Please ensure the furniture rests on an even and flat surface. If the product wobbles or feels loose, double-check all bolts and/or screws are properly tightened and secured.

✔ **Keep this handy!**

Please retain this instruction manual and any order-related information for future reference.

✔ **Lift, don't drag!**

To avoid damage to product please always LIFT the product when transporting or adjusting the placement.

This product is intended for RESIDENTIAL USE ONLY and not for commercial use.