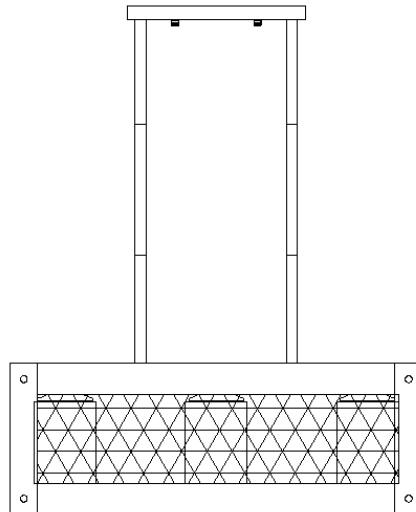


Item Number: A03143

**WARNING** (To reduce the risk of fire, electric shock, or injury to persons):

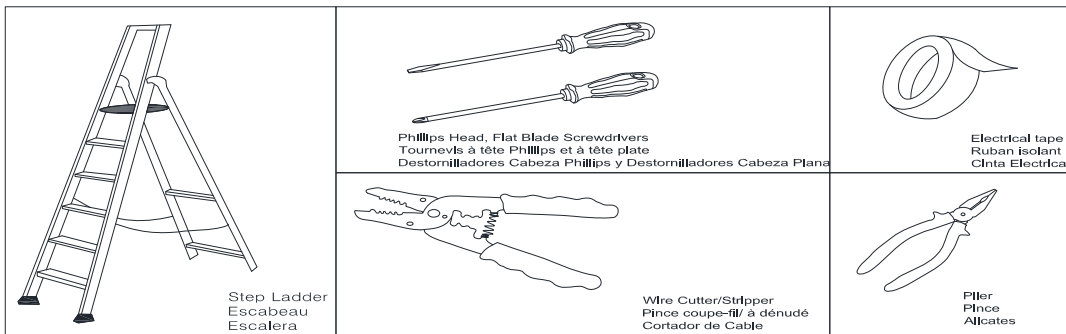
1. We suggest installation by a **licensed electrician**.
2. Please read the instruction carefully and save it as you may need it at later time.
3. Before you start, **NEVER** attempt any work without shutting off the electricity until the work is done. A). Go to the main fuse, or circuit breaker, box in your home. Place the main power switch in the “**OFF**” position. B). Place the wall switch in the “**OFF**” position.
4. Mounting surface should be clean, dry, flat, strong enough and 1/4” larger than the canopy on all side. Any gaps between the mounting surface and canopy exceeding 3/16” should be corrected as required.
5. Make sure that the ceiling or wall can stand the weight of the lamp before fixture.
6. Make sure the voltage you are using is **120V**. The maximum wattage is **60W** per bulb.
7. Keep the lamp away from acidic and basic objects in case of damaging the surface of the lamp.
8. When replacing bulb, you should turn off or unplug the lamp and you must wait until it is cool as bulbs get hot quickly.
9. The safety instructions appearing in this manual are not meant to cover all possible conditions that may occur. It must be understood that common sense, caution and care must be used with any electrical products.

**IMAGE FOR FINISHED PRODUCT:**



**TOOLS REQUIRED (NOT INCLUDED):**

Before doing assembly and installation please prepare the needed tools as below picture.

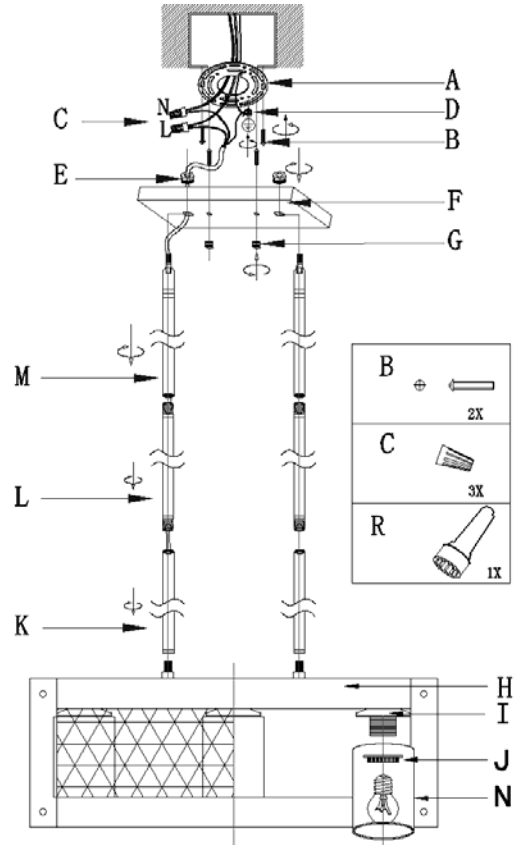


**PARTS INCLUDING:**

- (A) Mounting Plate (1)
- (D) Green screw (1)
- (E) Screw nut + Washer (2)
- (F) Canopy (1)
- (G) Screw Cap (2)
- (H) Lamp body (1)
- (I) Lamp holder (3)
- (J) Ring (3)
- (K) Tube (2)
- (L) Tube (2)
- (M) Tube + Movable metal head (2)
- (N) Glass lamp shade (3)

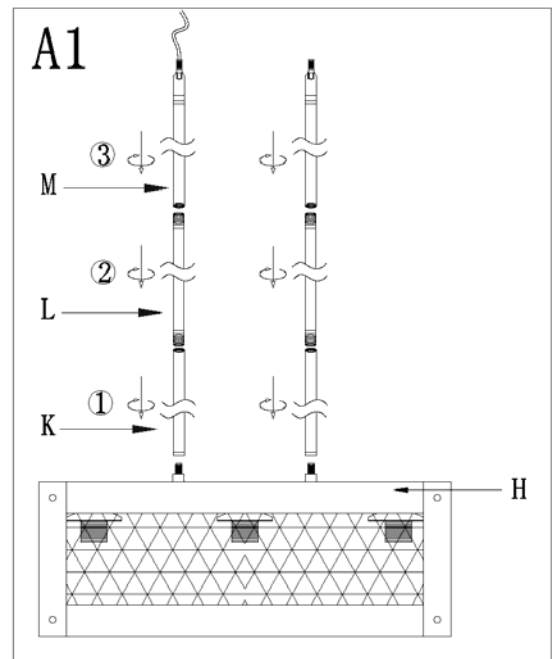
**ACCESSORIES ENCLOSED:**

- (B) Mounting Screws (2)
- (C) Plastic Wire Connectors (3)
- (R) Plastic tooling (1)



**ASSEMBLY & INSTALLATION INSTRUCTION:**

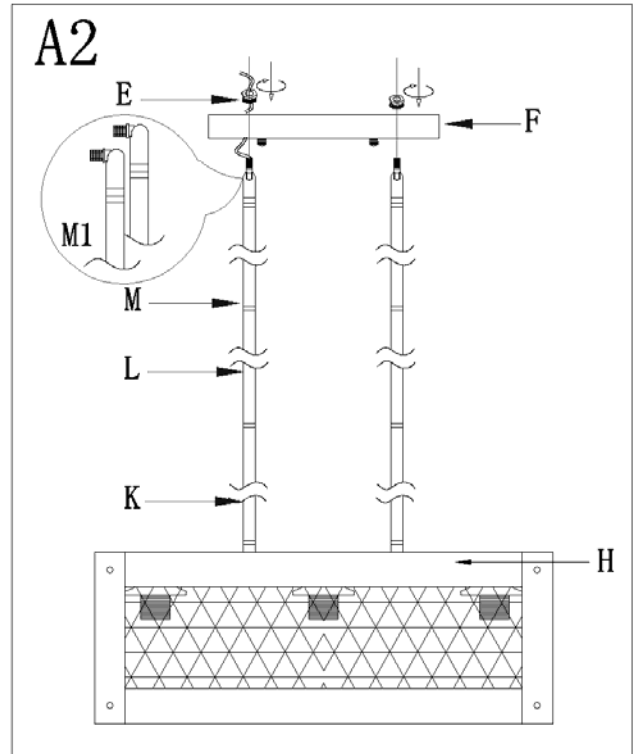
1. Open the package and take out all the parts or accessories, then place them on a clean flat place.
2. Fix the tube (M), (L), (K) according to the length of the light fixture you needed, please carefully pull the wire through the tube.



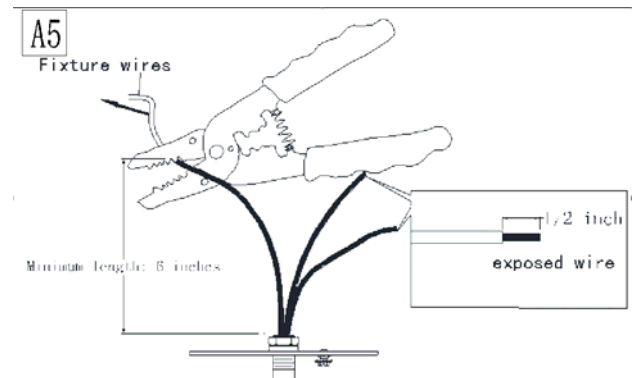
3. If your house with sloping roof you should read this step carefully.

Fix the movable metal head (M1) on the end of the tube, and adjust it with same direction.

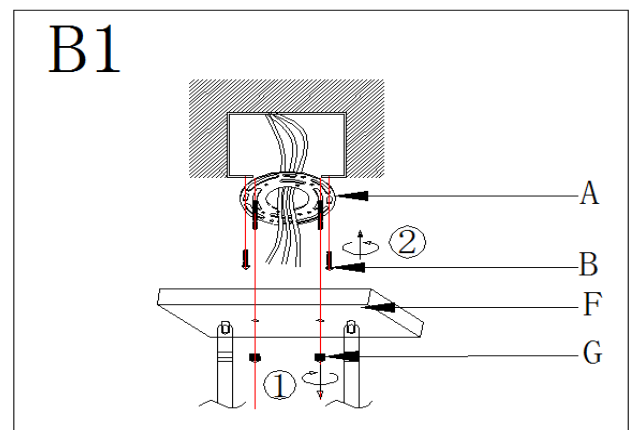
Put on the canopy (F) on the tube (M) or on the movable metal head (M1), fix the canopy by screw nut (E).



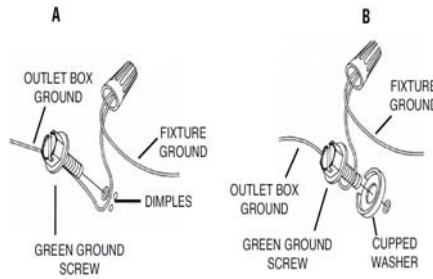
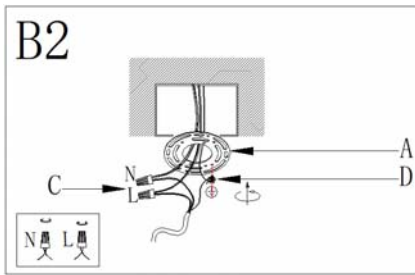
4. If needed, cut off the extra length of power cord.



5. Fix the Mounting Plate (A) to the outlet box by screw (B).

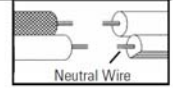


6. Connect wire from light fixture to the outlet box.

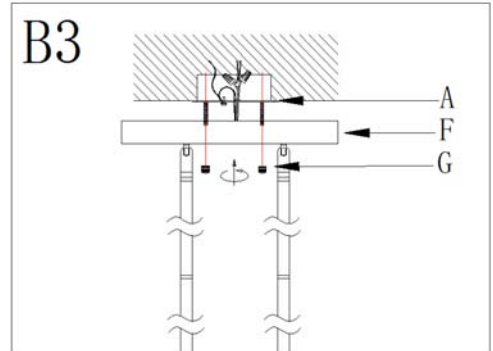


Connect Black or Red Supply Wire to:	Connect White Supply Wire to:
Black	White
*Parallel cord (round & smooth)	*Parallel cord (square & ridged)
Clear, Brown, Gold or Black without tracer	Clear, Brown, Gold or Black with tracer
Insulated wire (other than green) with copper conductor	Insulated wire (other than green) with silver conductor

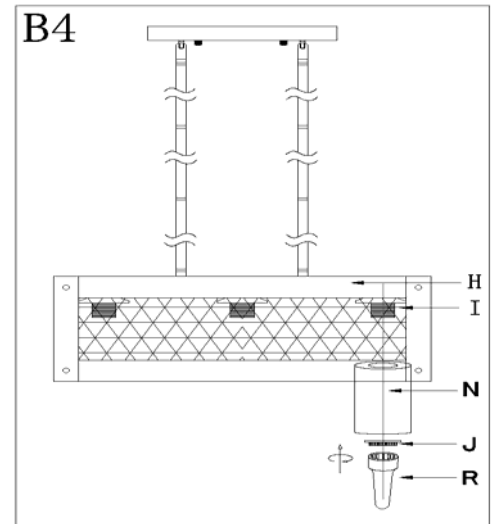
\*Note: When parallel wires (SPT I & SPT II) are used. The neutral wire is square shaped or ridged and the other wire will be round in shape or smooth (see illus.)



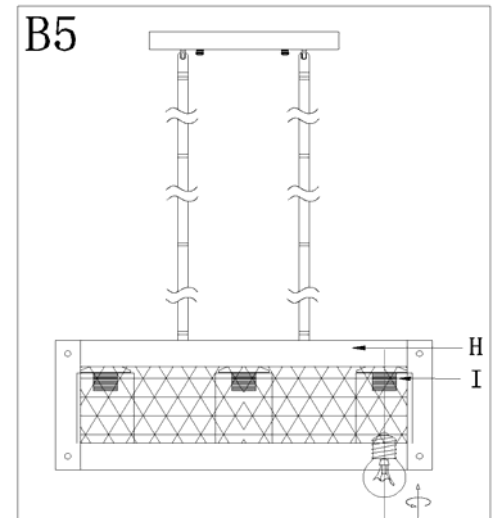
7. Fix the canopy (F) to the ceiling using screw cap (G).



8. Fix the glass lamp shade (N) on the lamp holder by fix the ring (J), if your hand is bigger than the hole of glass shade, please use plastic tooling (R) for help.



9. Install bulbs (not including).



For assembly details please visit the video by link: [https://youtu.be/7JZFurXCw\\_U](https://youtu.be/7JZFurXCw_U)