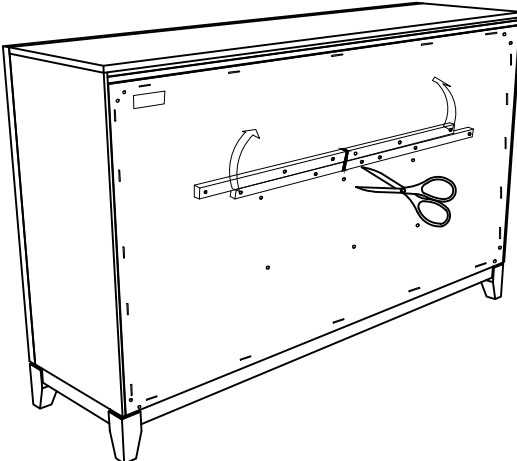
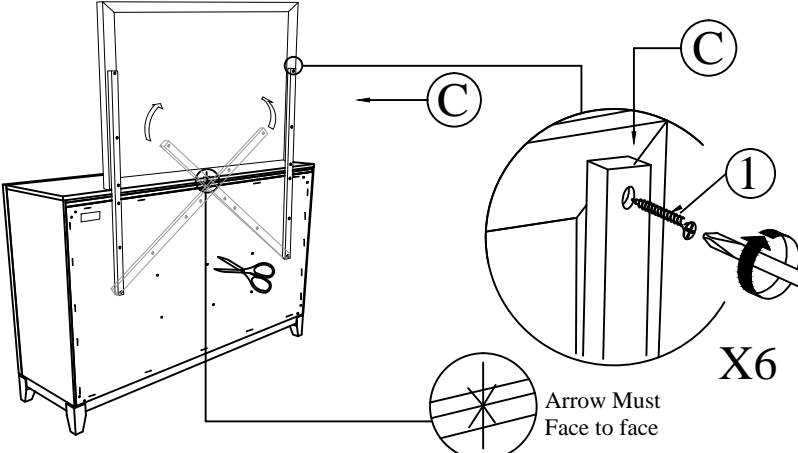
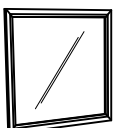



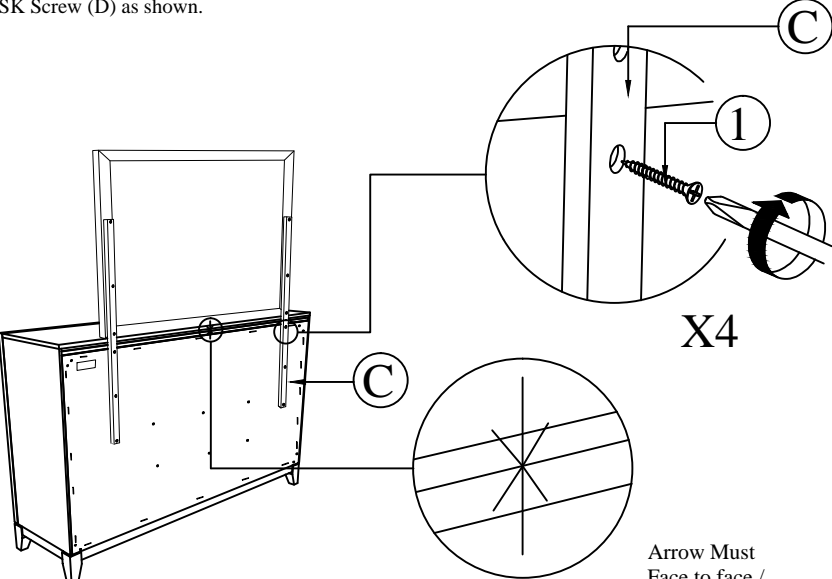
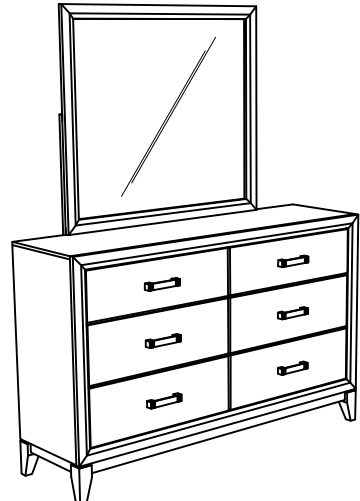


# ASSEMBLY INSTRUCTIONS

DRESSER & MIRROR			<p><b>STEP 1 / ETAPE 1 :</b> Cut of the Raffia String from the back of DRESSER ( B ).</p> 	<p><b>STEP 2 / ETAPE 2 :</b> Turn the MIRROR SUPPORT RAIL ( C ) upward at the back of DRESSER ( B ), Place the MIRROR FRAME ( A ) on the top of DRESSER ( B ). Tighnten with CSK Screw ( D ).</p> 
<b>(Box 1)</b> BOX OF MIRROR				
NO	ITEM	QTY		
A	MIRROR 	1 PC		
<b>(Box 2)</b> BOX OF DRESSER				
NO	ITEM	QTY		
B	DRESSER 	1 PC		
C	MIRROR SUPPORT RAIL 	2 PCS		
<b>(Box 1)</b> BOX OF MIRROR				
NO	ITEM	QTY		
1	CSK SCREW M4 X 32MM 	10 PCS		
			<p><b>STEP 3 / ETAPE 3 :</b> Tightnen the CSK Screw ( D ) as shown.</p> 	
			 <p style="text-align: right;"><b><u>COMPLETED</u></b> <b><u>ASSEMBLY</u></b></p>	

NOTE : MUST TIGHTEN SCREWS PERIODCALLY WITH USE SCREW WILL BECOME LOOSE CHECK TIGHTNESS OF ALL SCREW EVERY 6-8 WEEKS.