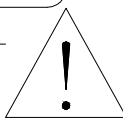
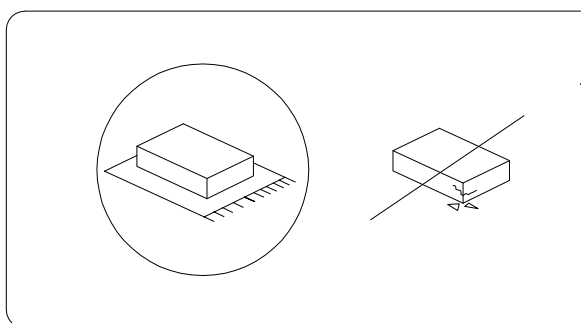
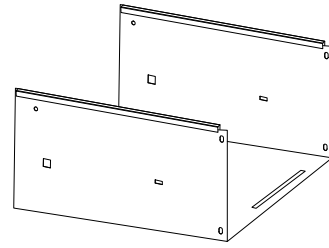
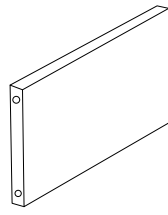


40'

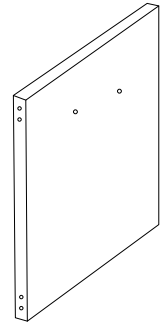


1

F x 2

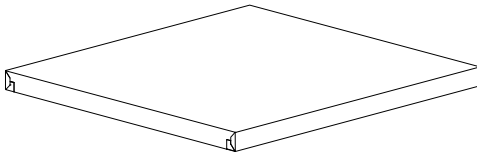


G x 2

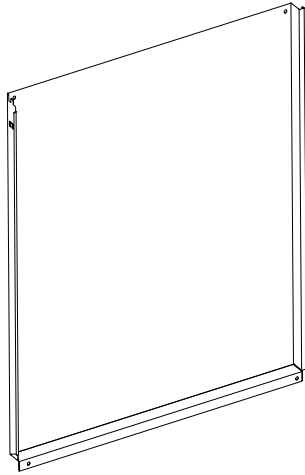


C x 2

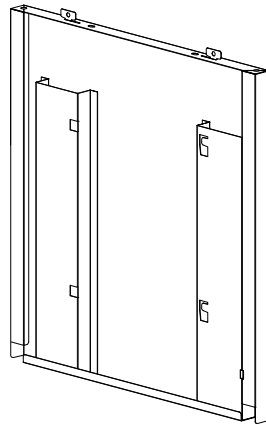
D



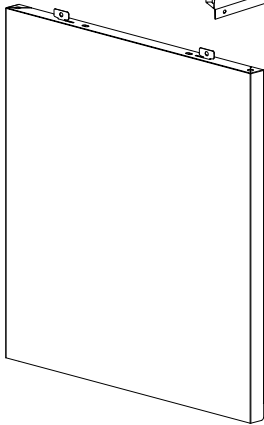
B



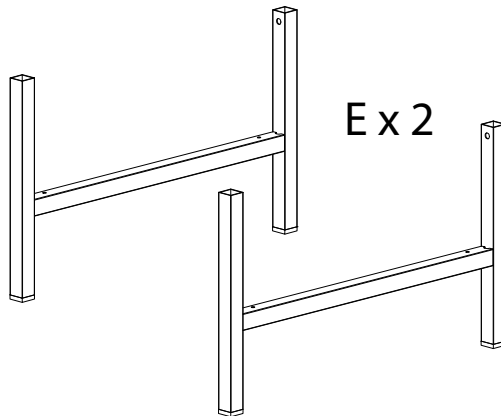
A

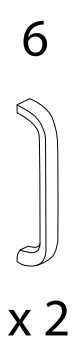
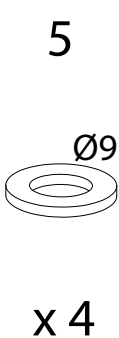
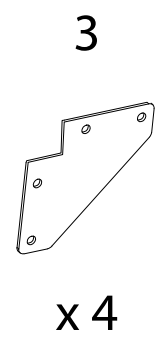
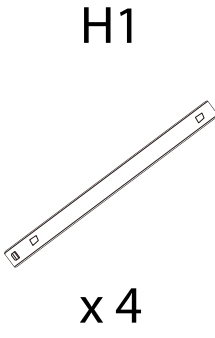
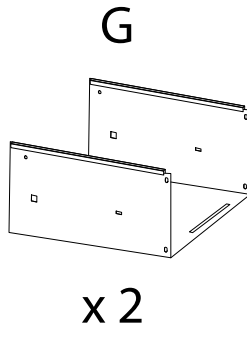
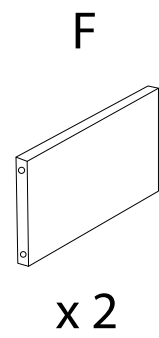
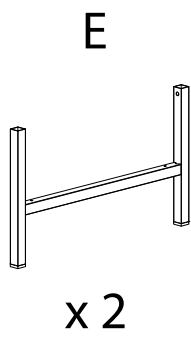
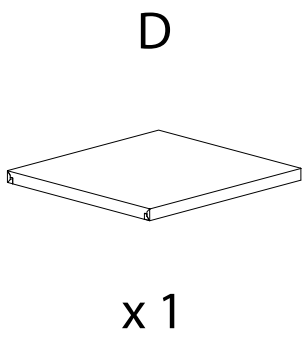
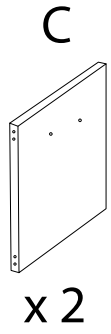
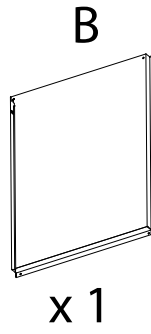
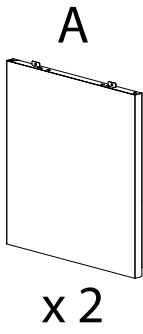


A

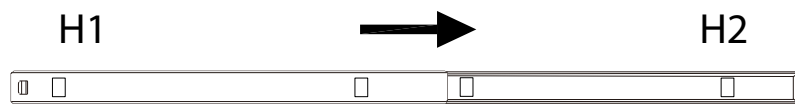
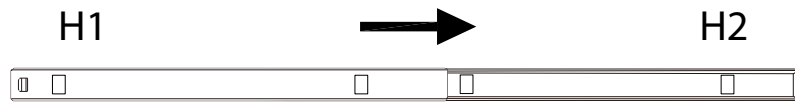


E x 2

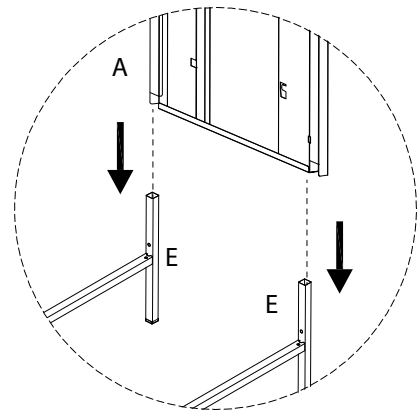
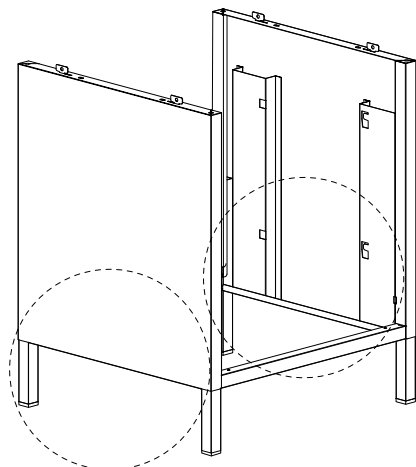
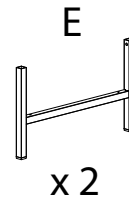
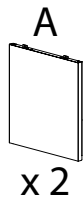




!



1

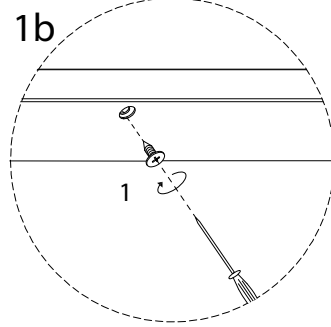
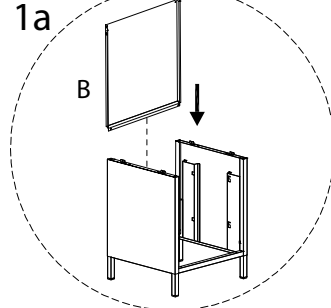
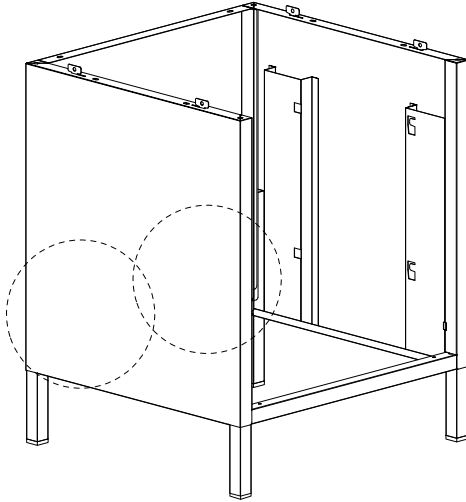
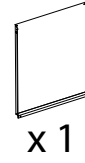


2

1

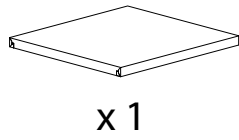
M5
x
12
x 2

B



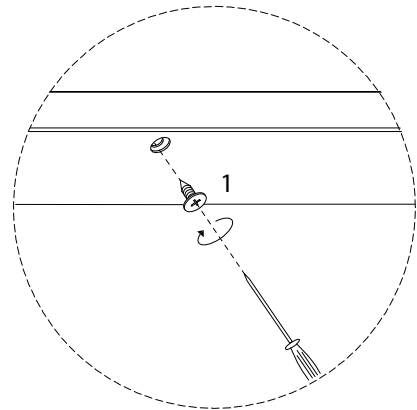
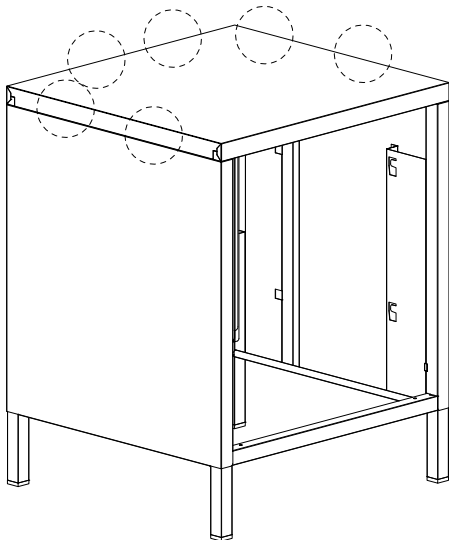
3

D



1

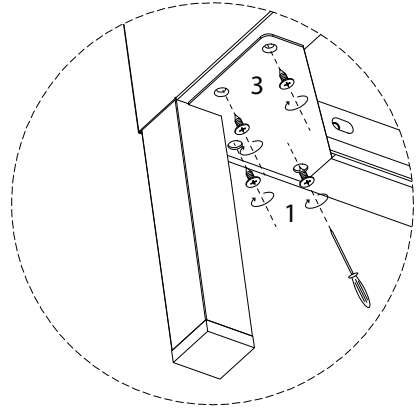
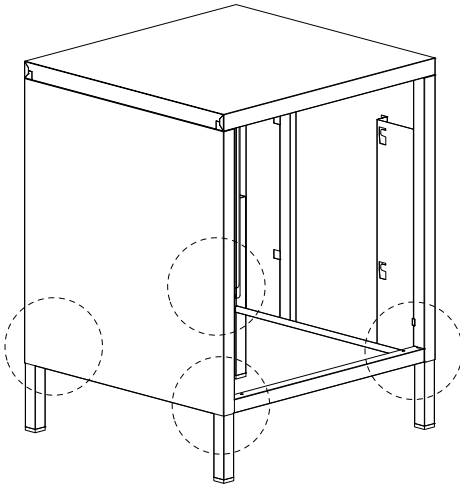
M5
x
12
x 6



4

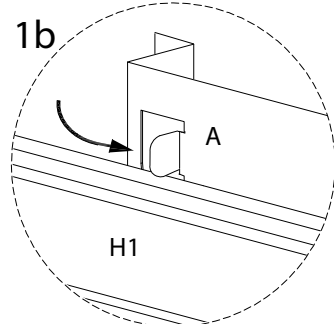
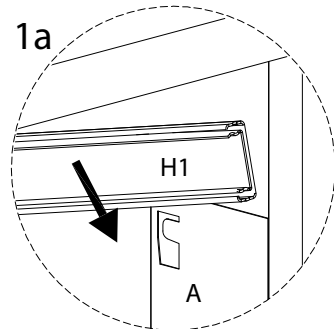
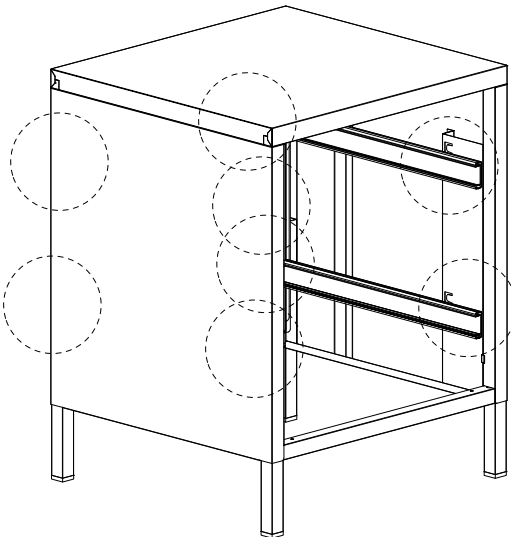
1
M5
x
12
x 12

3
x 4

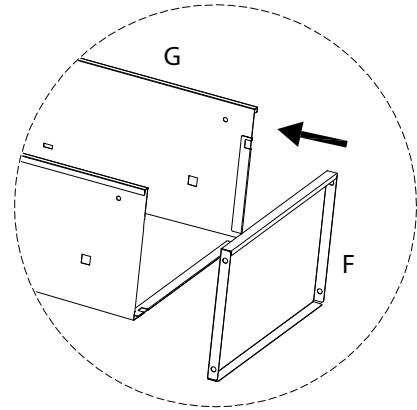
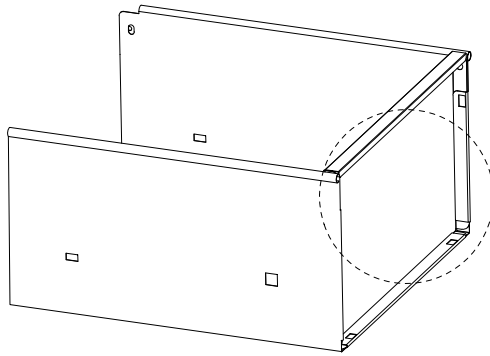
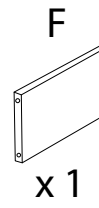
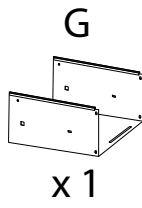


5

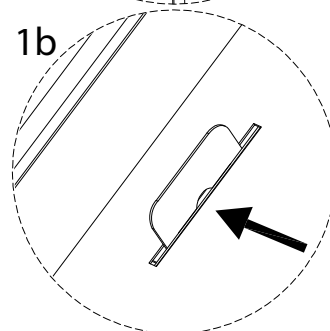
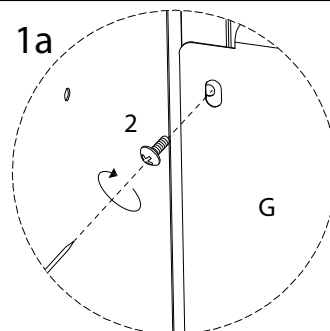
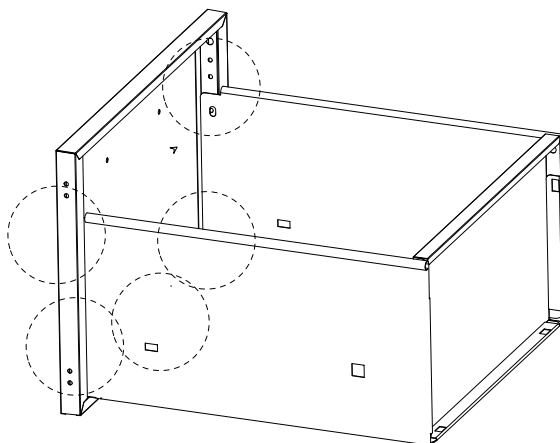
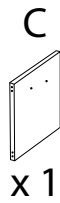
H1
x 4



6 x 2



7 x 2

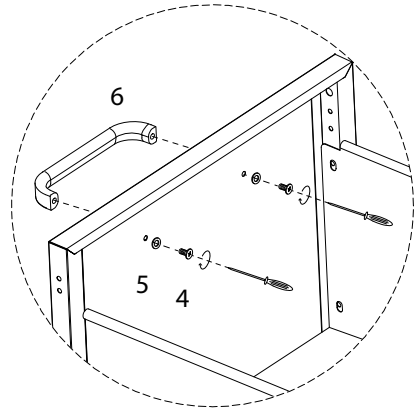
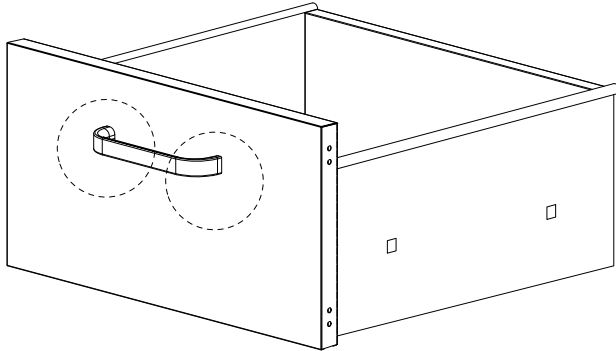


8 x 2

4
M4
x
4
x 2

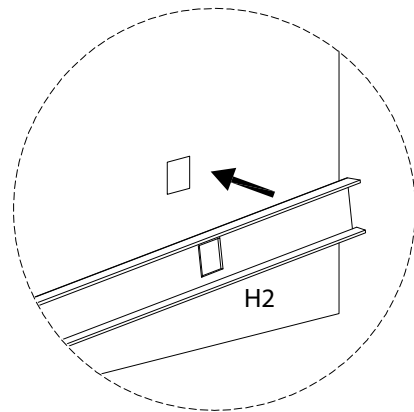
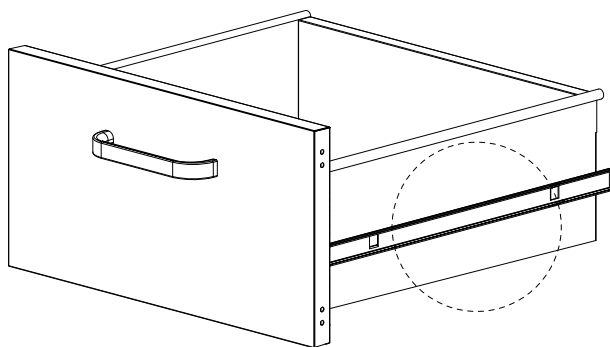
5
Ø9
x 2

6
x 1



9 x 2

H2
x 2



!

