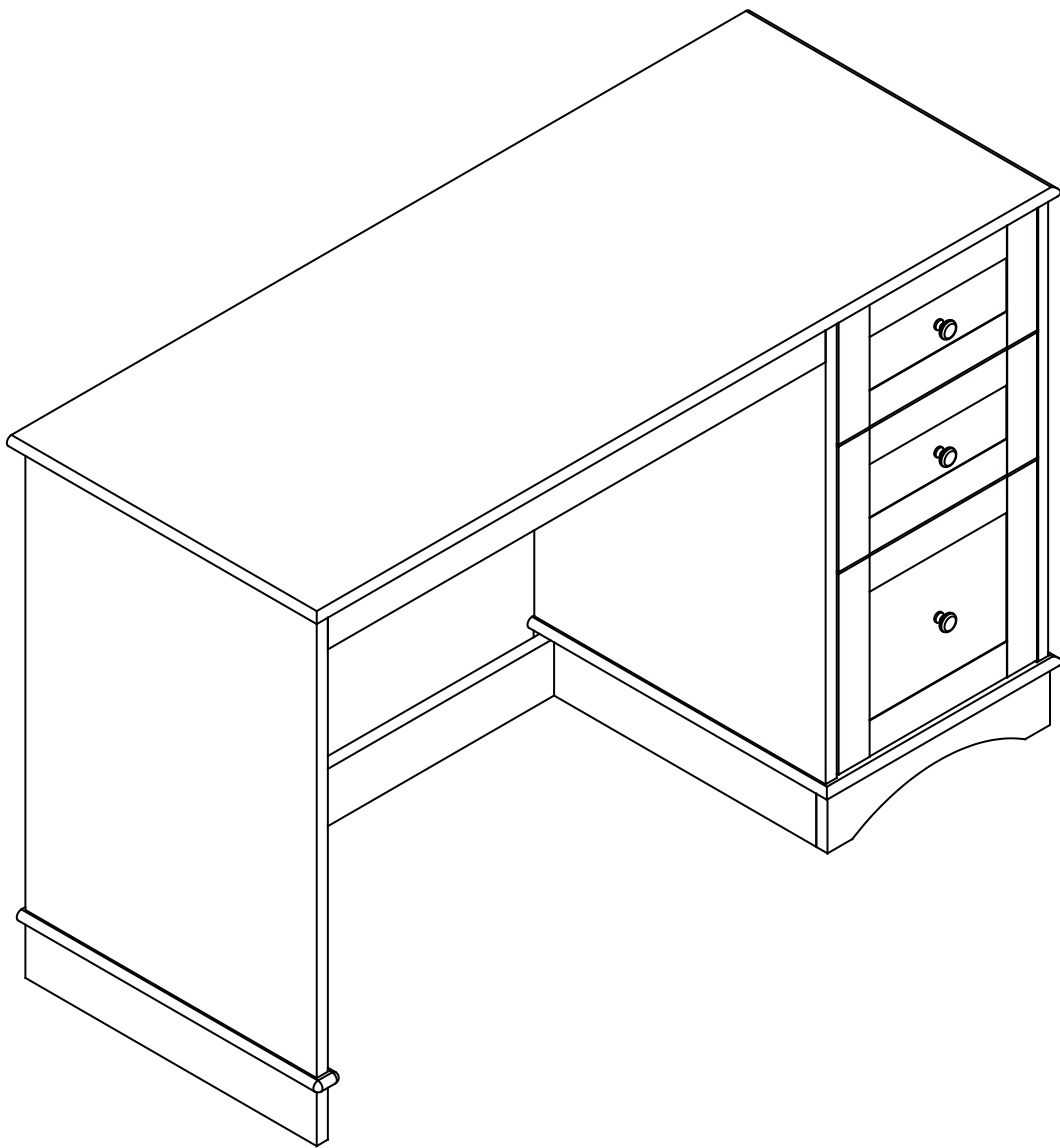
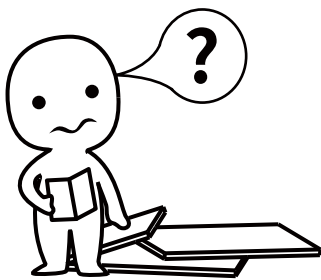


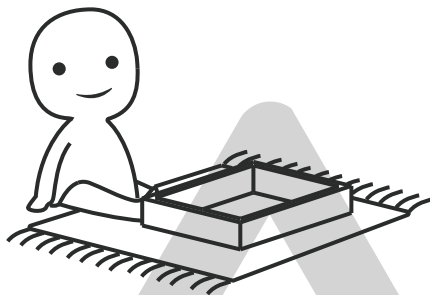
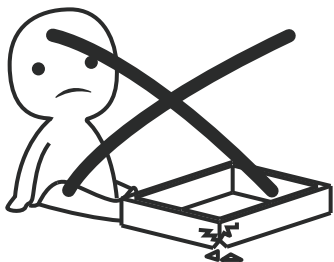
INSTALLATION MANUAL





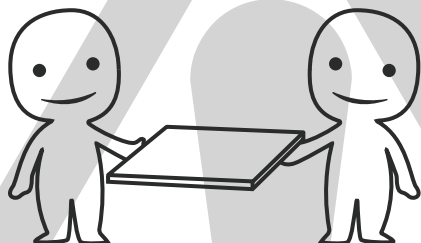
IMPORTANT INFORMATION!

Please read the entire manual before starting to assemble and/or using this product. Follow the manual thoroughly and keep it for further reference.



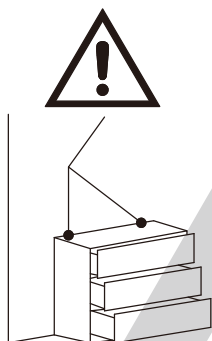
AVOID SCRATCHES!

In order to avoid scratching this furniture should be assembled on a soft layer—could be a rug.



IMPROVE EFFICIENCY !

Try to find a partner to install with you, which can speed up the installation efficiency and shorten the time.



ANTI-TOPPLE WARNING !

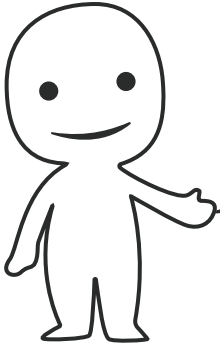
Overturnd furniture can cause serious or fatal crush injuries. To prevent tipping over, be sure to use the wall attachment, if not included with this product. Please purchase the wall attachment that fit your wall. If unsure, seek professional advice. Please read and follow each step of the instructions carefully.

IMPORTANT !

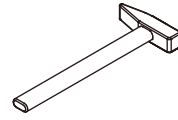
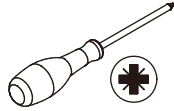
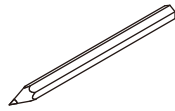
It is important that any product which is assembled using any kind of screw is re-tightened 2 weeks after assembly, and once every 3 months - in order to assure stability through-out the lifespan of the product.

For regular maintenance and cleaning of the product, for the frame, please use a rag dipped in neutral detergent to fully wipe it, and then dry it with a clean rag. For glass materials, wipe with a rag dampened with water glass cleaner, and then dry with a dry rag.

Do not use an electric screwdriver, and do not use too much force when installing, because the board is easy to break.

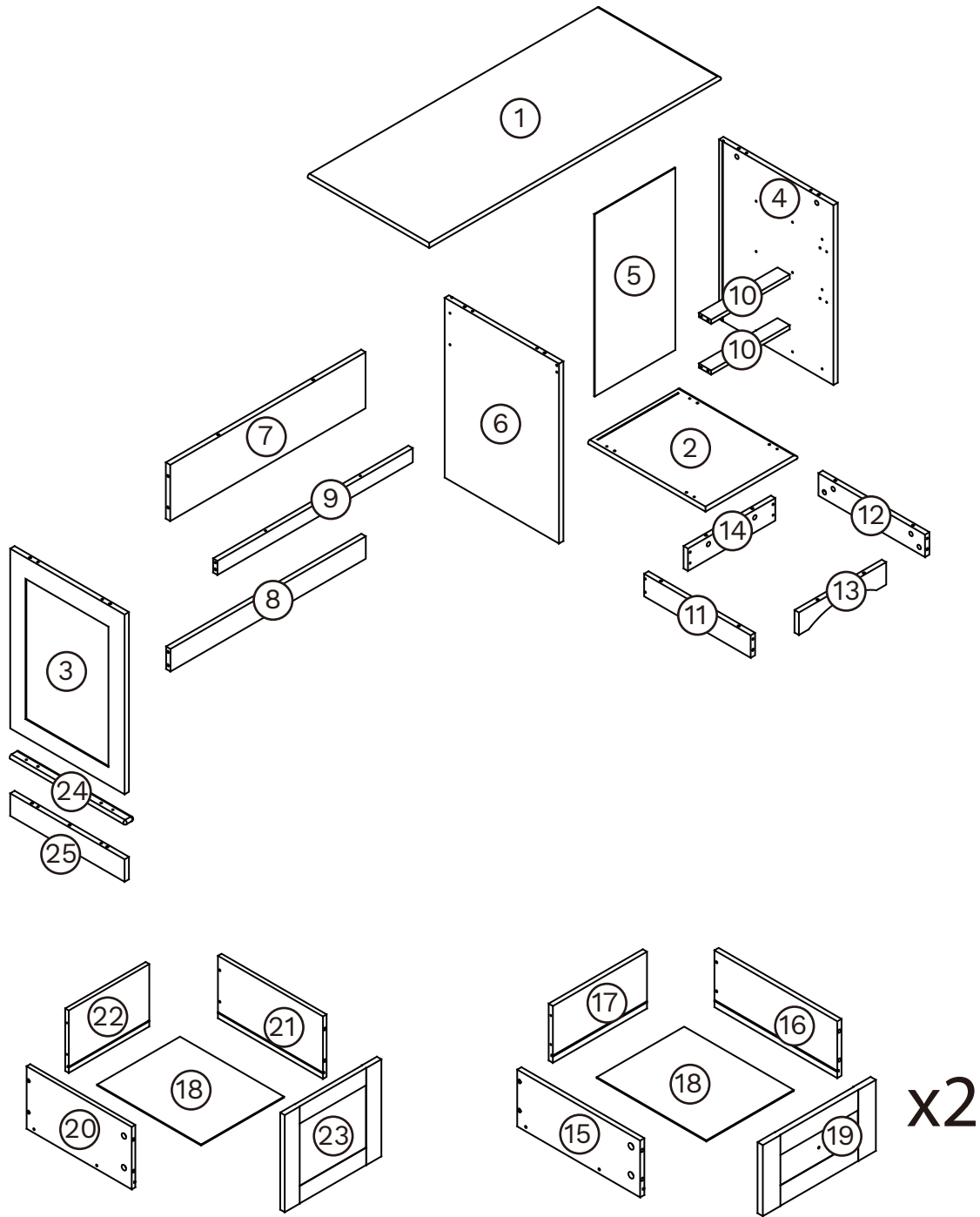


Please prepare the following tools



When installing, please carefully confirm whether each screw corresponds to the manual, accessories with similar shapes can be distinguished by size

A x 49  Ø 6 x 35 mm	B x 49  Ø 15 x 9 mm	C x 20  Ø 8 x 30 mm	D x 6  Ø 4 x 35 mm	E x 30  Ø 3 x 12 mm
F x 12  Ø 4 x 30 mm	G x 6  	H x 4  	I x 4  Ø 3 x 16 mm	J x 3 
K x 3  Ø 4 x 14 mm	L x 2  Ø 4 x 50 mm	M x 2  	N x 2  Ø 4 x 14 mm	O x 4 
P x 2  Ø 8 x 50 mm	Q x 3  	CR x 6  300mm	CL x 6  300mm	DR x 6  300mm
DL x 6  300mm				



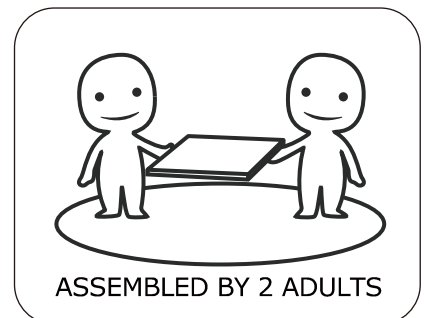
⚠ WARNING



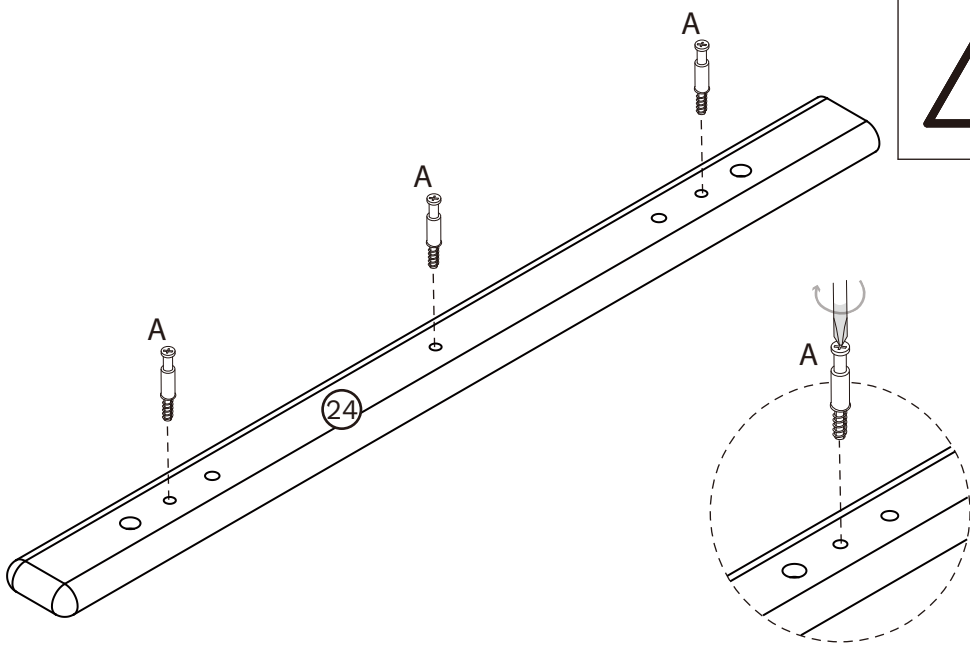
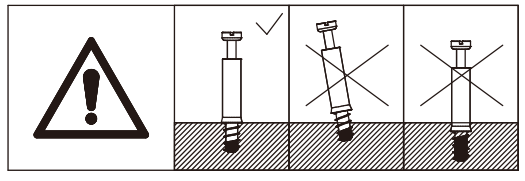
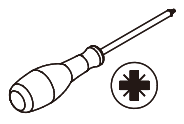
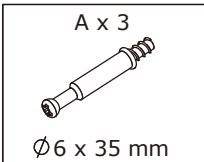
Children have died from furniture tipover. To reduce the risk of furniture tipover:

- ALWAYS install Anti-tip device provided.
- NEVER put a TV on this product.
- NEVER allow children to stand, climb or hang on drawers, doors, or shelves.
- NEVER open more than one drawer at a time.
- Place heaviest items in the lowest drawers.

*This is a permanent label.
Do not remove!*

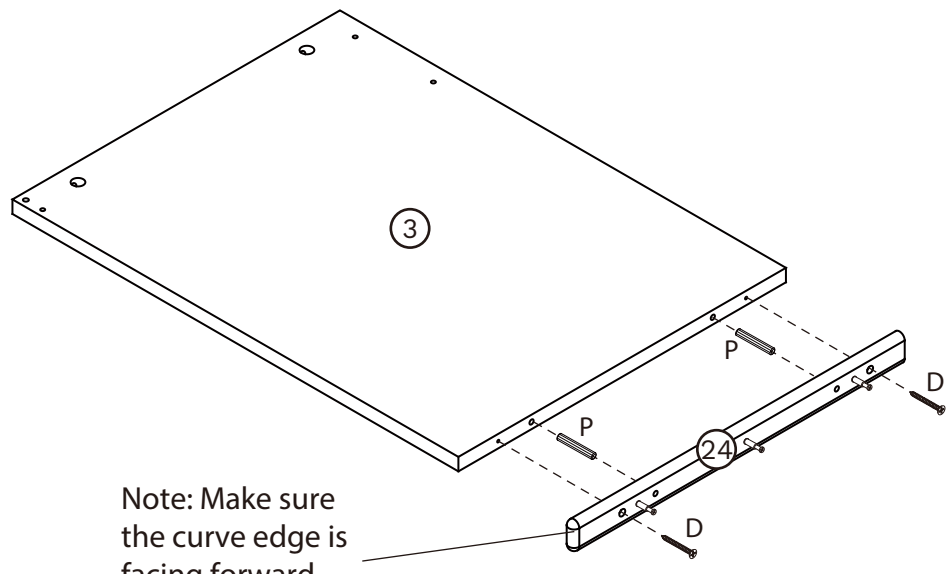
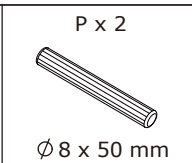
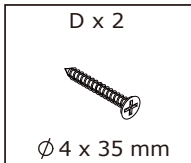


1




Attach 3 x Cam Bolts (A) to Rail (24) as shown by tightening with the Phillips Head Screwdriver.

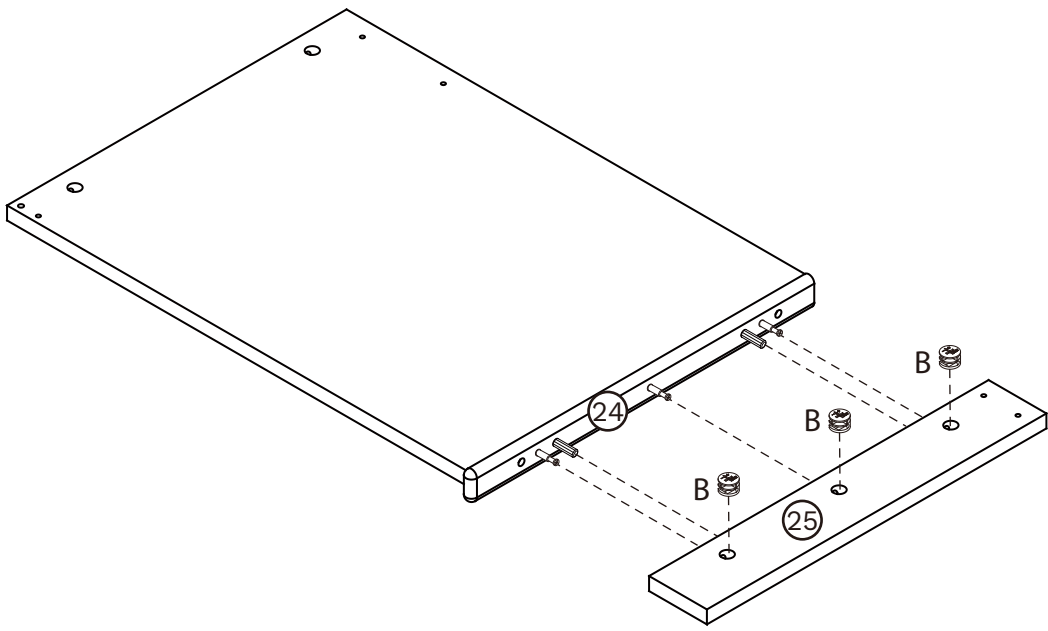
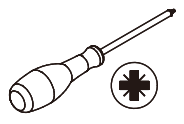
2



Insert 2 x Large Dowels (P) into Left Side Panel (3). Attach Rail (24) to Left Side Panel (3) with 2 x Screws (D), tightening with the Phillips Head Screwdriver.


3


B x 3

Ø15 x 9 mm

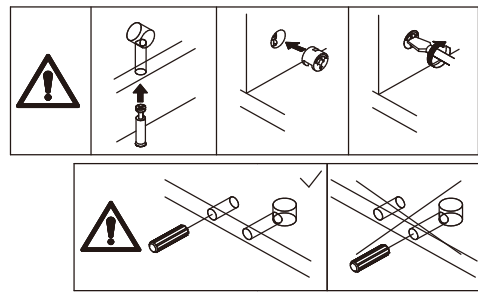
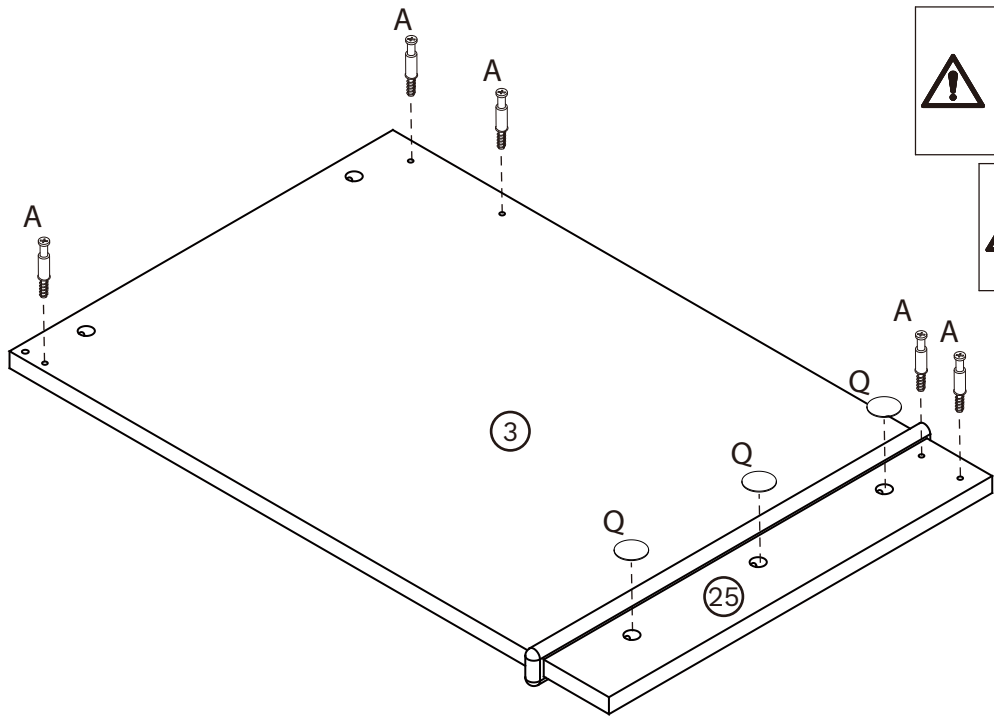
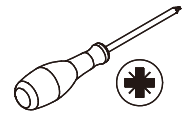


Insert 3 x Cam Nuts (B) into the holes of Rail (25).
Rotate the cam nuts so the arrows point towards the incoming cam bolts. Attach Rail (24) to Rail (25), by tightening the cam nuts with the Phillips Head Screwdriver.

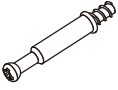


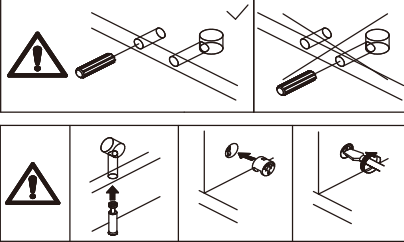
4

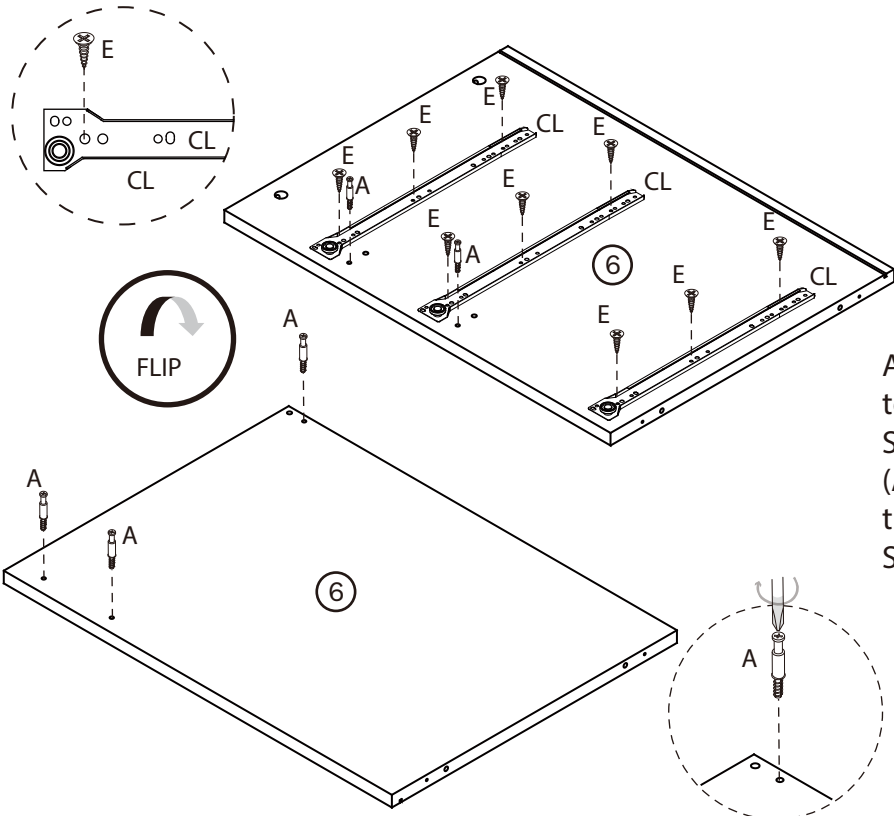
A x 5

Ø6 x 35 mm

Q x 3


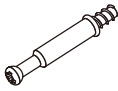


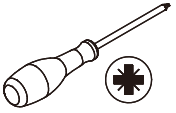
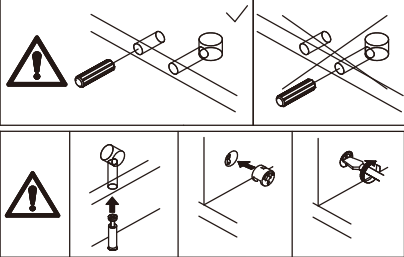


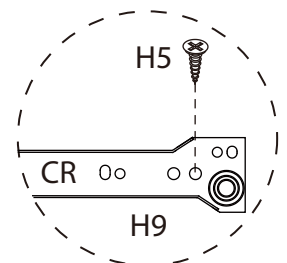
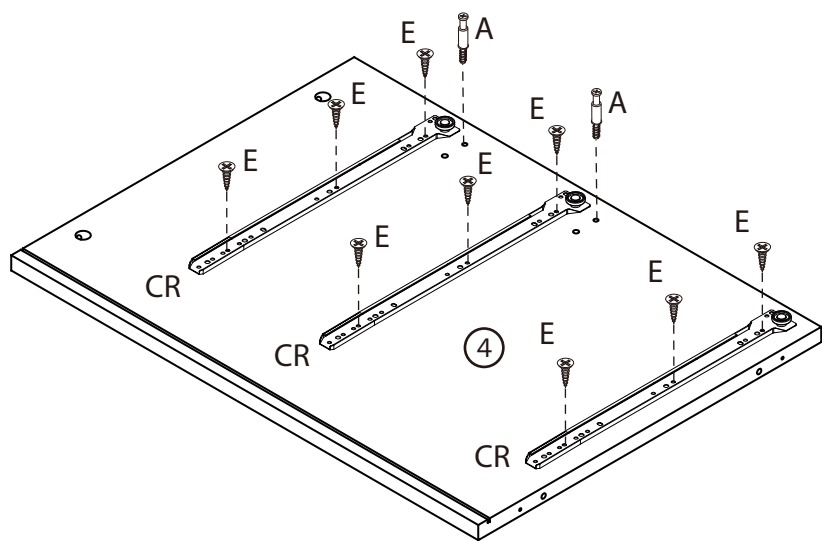
Attach 5 x Cam Bolts (A) to Left Side Panel (3) and Rail (25) as shown by tightening with the Phillips Head Screwdriver.
Cover the holes on Rail (25) using 3 x Stickers (Q).

5	A x 5  Ø6 x 35 mm	E x 9  Ø3 x 12 mm	CL x 3  300mm	
				



Attach 3 x CL Runner Tracks to the Divider (6) using 9 x Small Screws (E), attach 5 x Cam Bolts (A) to Divider (6) as shown by tightening with the Phillips Head Screwdriver.

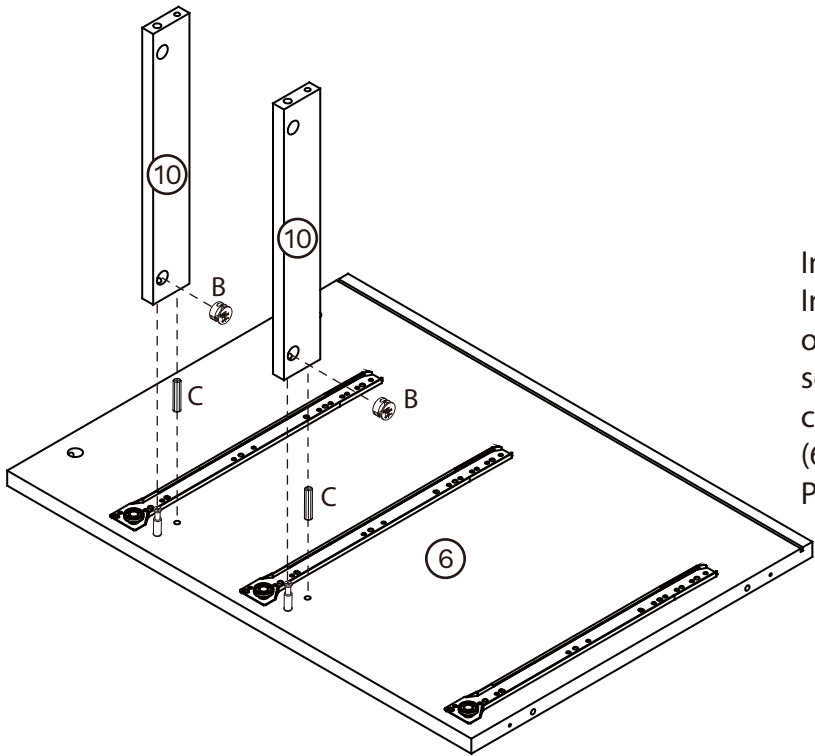
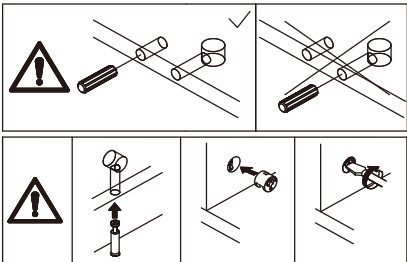
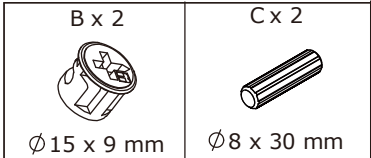
6	A x 2  Ø6 x 35 mm	E x 9  Ø3 x 12 mm	CR x 3  300mm	
				



Attach 3 x CR Runner Tracks to the Right Side Panel (4) using 9 x Small Screws (E) as shown by tightening with the Phillips Head Screwdriver.

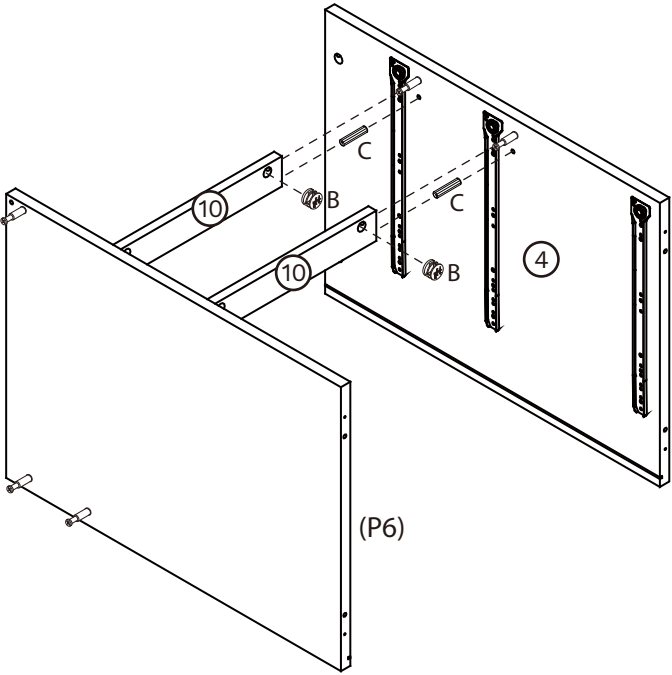
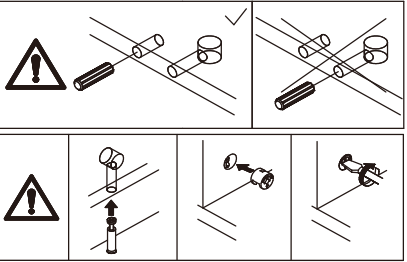
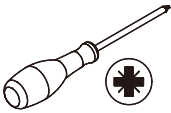
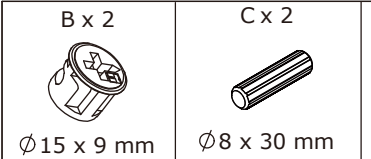
Attach 2 x Cam Bolts (A) to Right Side Panel (4) as shown by tightening with the Phillips Head Screwdriver.

7



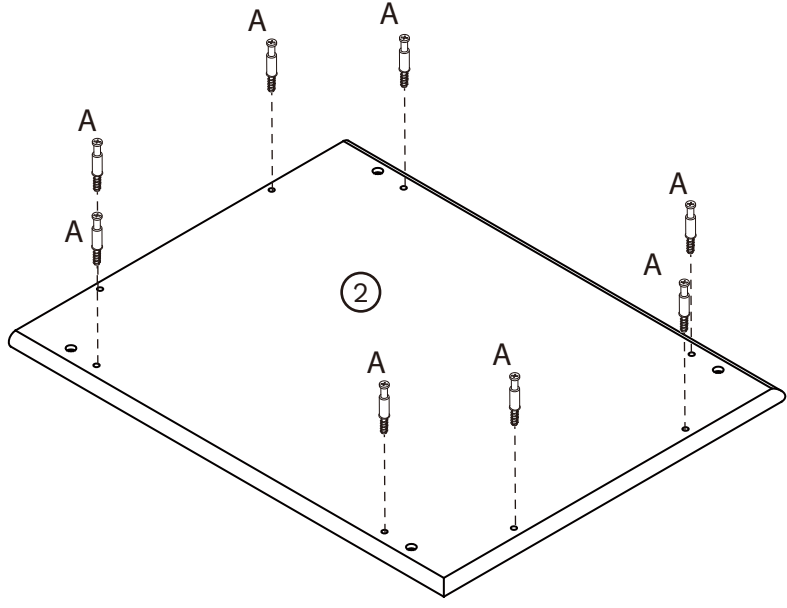
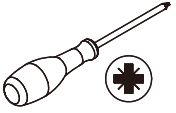
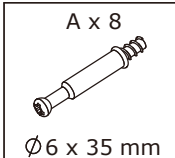
Insert 2 x Dowels (C) into Divider (6). Insert 2 x Cam Nuts (B) into the holes of Rails (10 x 2). Rotate the cam nuts so the arrows point towards the incoming cam bolts. Attach Rails (10 x 2) to Divider (6), by tightening the cam nuts with the Phillips Head Screwdriver.

8



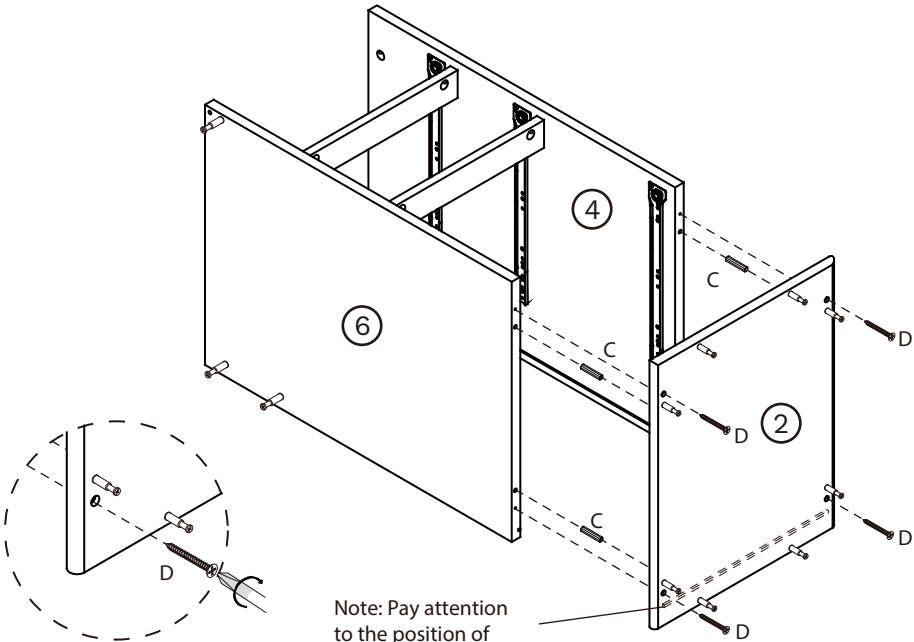
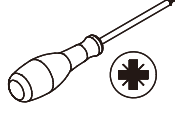
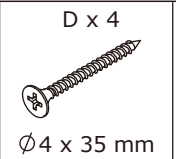
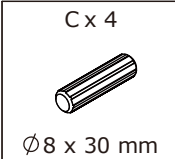
Insert 2 x Dowels (C) and 2 x Cam Nuts (B) into the holes of Rails (10 x 2). Rotate the cam nuts so the arrows point towards the incoming cam bolts. Attach Rails (10 x 2) to Right Side Panel (4), by tightening the cam nuts with the Phillips Head Screwdriver.

9



Attach 8 x Cam Bolts (A) to Bottom Panel (2) as shown by tightening with the Phillips Head Screwdriver.

10

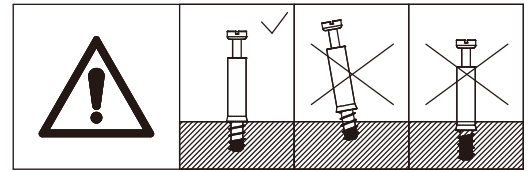
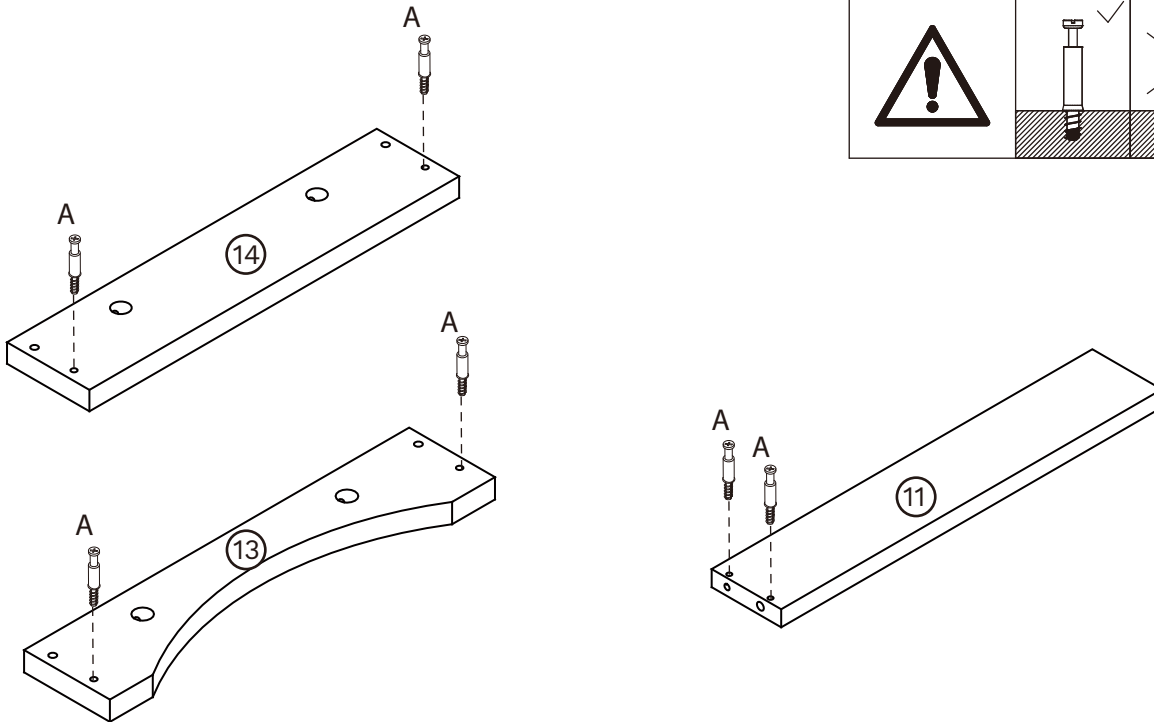
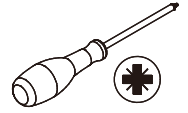


Note: Pay attention to the position of the groove.

Insert 4 x Dowels (C) into Right Side Panel (4) and Divider (6). Attach Bottom Panel (2) to Right Side Panel (4) and Divider (6) with 4 x Screws (D), tightening with the Phillips Head Screwdriver.

11

A x 6
Ø6 x 35 mm

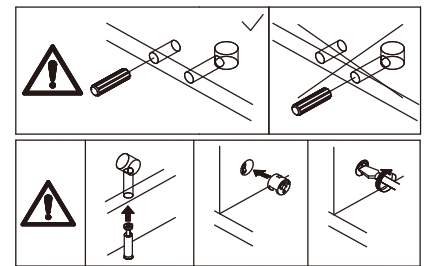
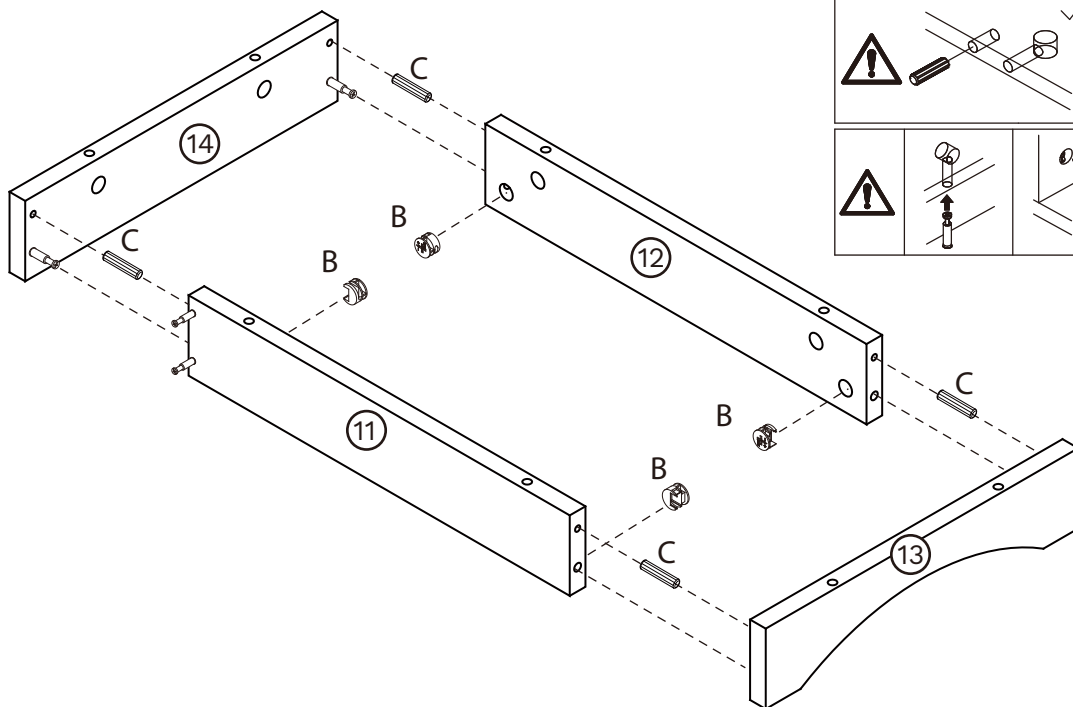
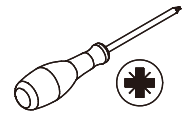


Attach 6 x Cam Bolts (A) to Rails (11 & 13 & 14) as shown by tightening with the Phillips Head Screwdriver.

12

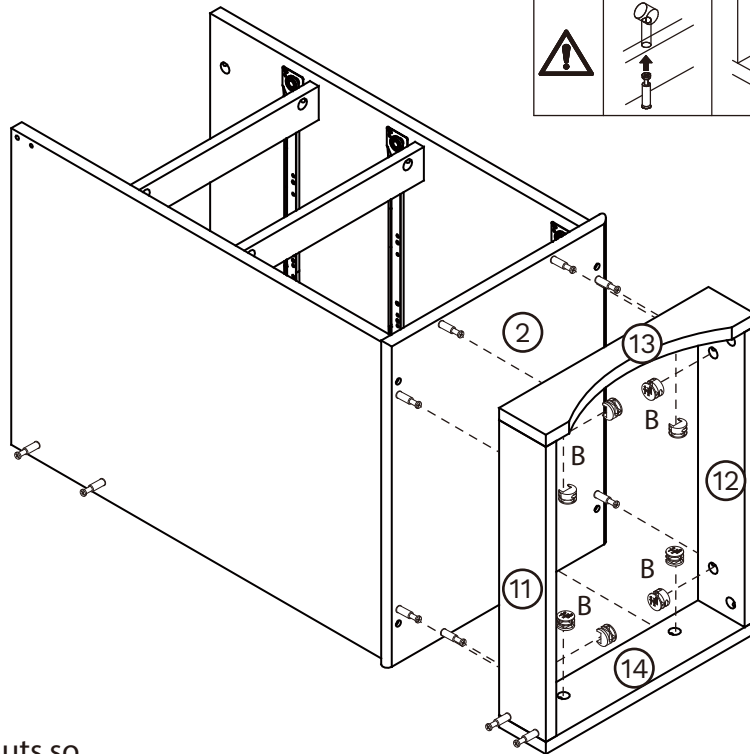
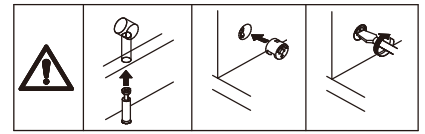
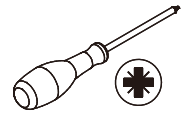
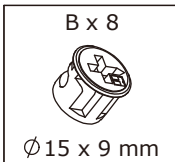
B x 4
Ø15 x 9 mm

C x 4
Ø8 x 30 mm



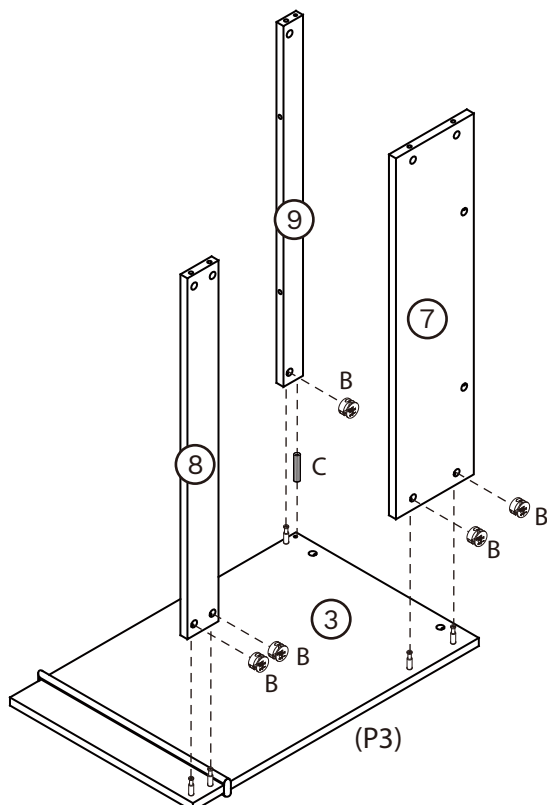
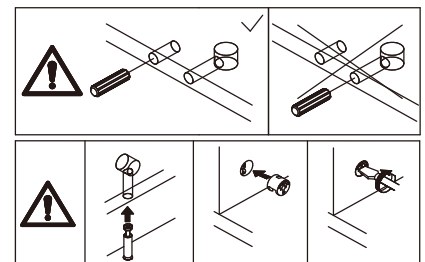
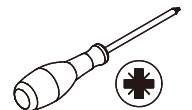
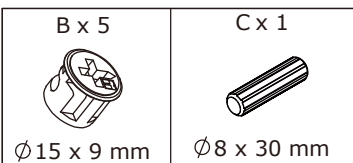
Insert 4 x Dowels (C) and 4 x Cam Nuts (B) into Rails (11 & 12).
Rotate the cam nuts so the arrows point towards the incoming cam bolts.
Attach Rails (13 & 14) to Rails (11 & 12), then tighten the cam nuts with the Phillips Head Screwdriver.

13



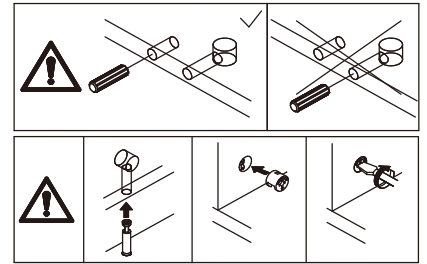
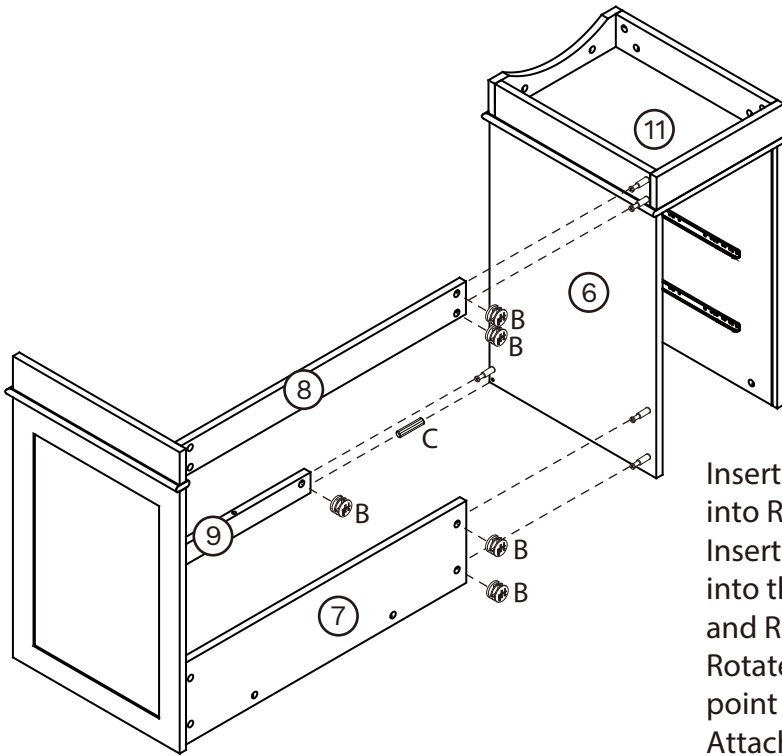
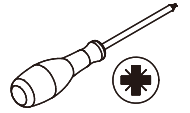
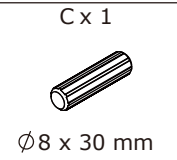
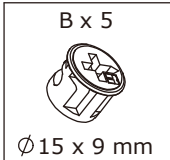
Insert 8 x Cam Nuts (B) into Rails (11 & 12 & 13 & 14) as shown. Rotate the cam nuts so the arrows point towards the incoming cam bolts. Attach Rails (11 & 12 & 13 & 14) to Bottom Panel (2), then tighten the cam nuts with the Phillips Head Screwdriver.

14



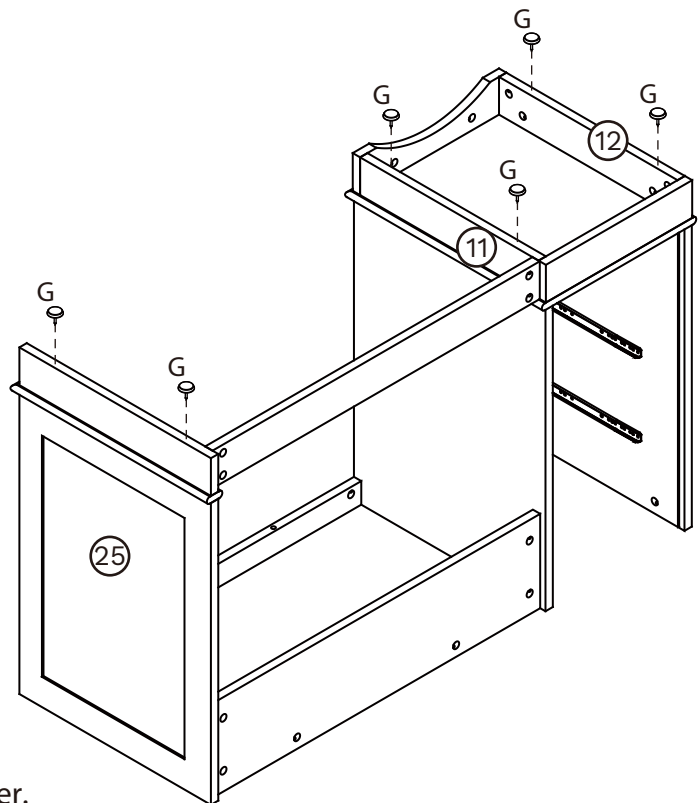
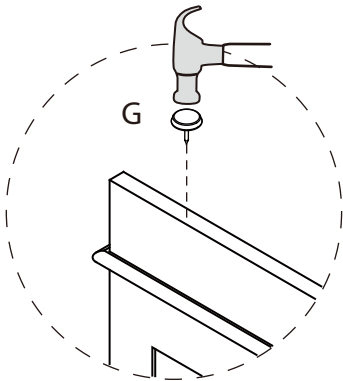
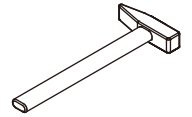
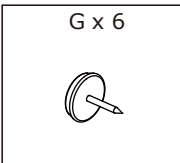
Insert 1 x Dowel (C) into Left Side Panel (3). Insert 5 x Cam Nuts (B) into the holes of Back Panel (7) and Rails (8 & 9). Rotate the cam nuts so the arrows point towards the incoming cam bolts. Attach Back Panel (7) and Rails (8 & 9) to Left Side Panel (3), by tightening the cam nuts with the Phillips Head Screwdriver.

15



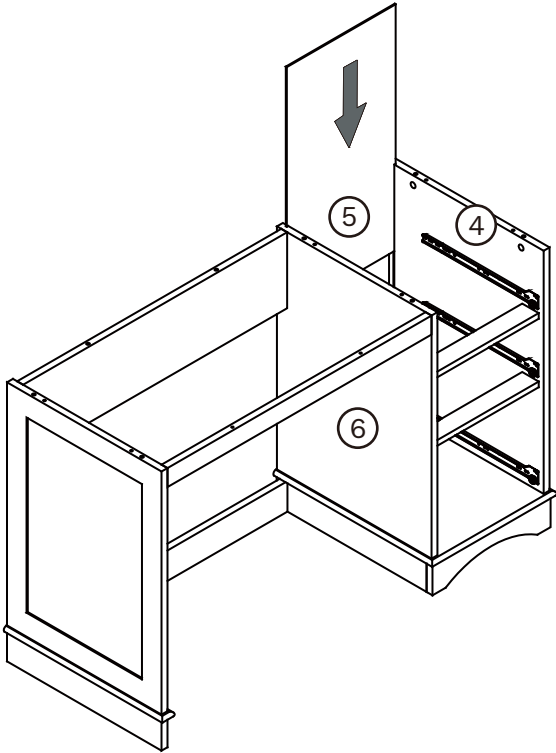
Insert 1 x Dowel (C) into Rail (9).
Insert 5 x Cam Nuts (B) into the holes of Back Panel (7) and Rails (8 & 9).
Rotate the cam nuts so the arrows point towards the incoming cam bolts.
Attach Divider (6) and Rail (11) to Back Panel (7) and Rails (8 & 9), by tightening the cam nuts with the Phillips Head Screwdriver.

16



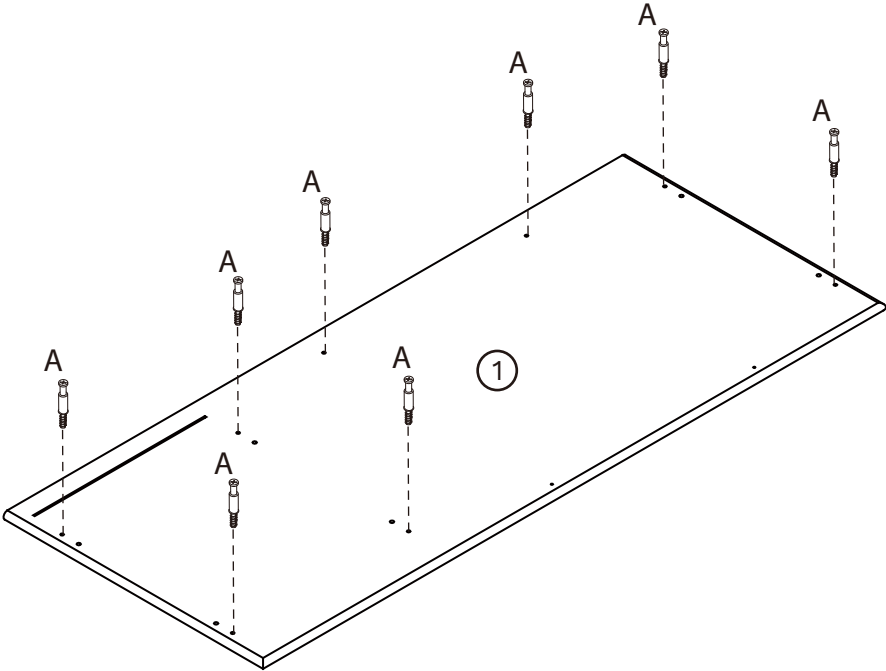
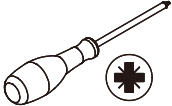
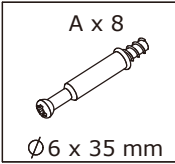
Secure 6 x Plastic Glides (G) to the Rail (25) and Rails (11 & 12) as shown using the Hammer.

17




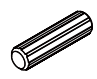

Slide Back Panel (5) into the grooves of Divider (6) and Right Side Panel (4).

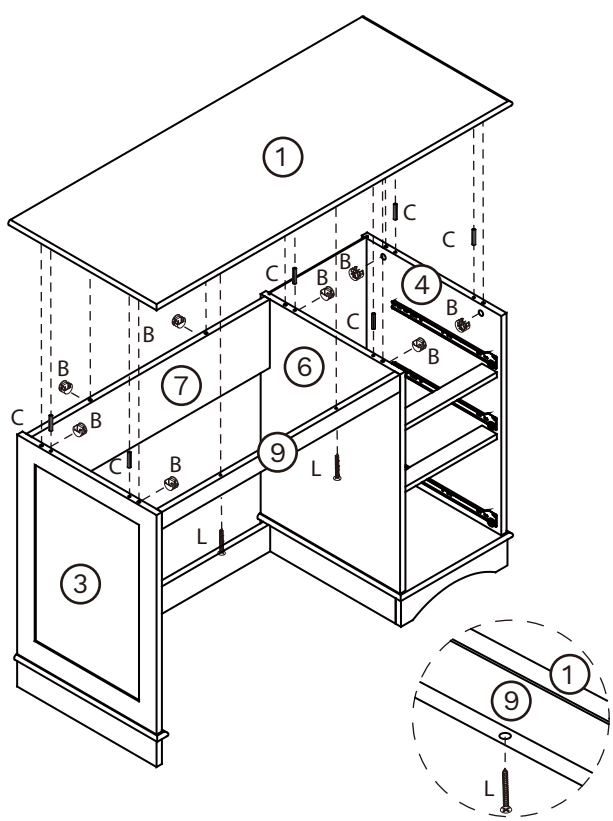
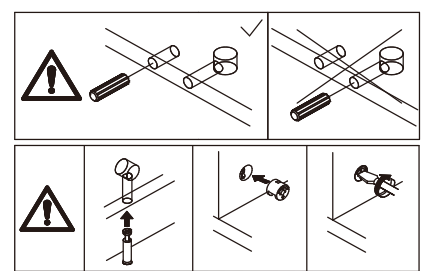
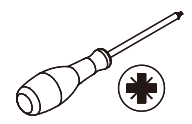
18



Attach 8 x Cam Bolts (A) to Top Panel (1) as shown by tightening with the Phillips Head Screwdriver.


19

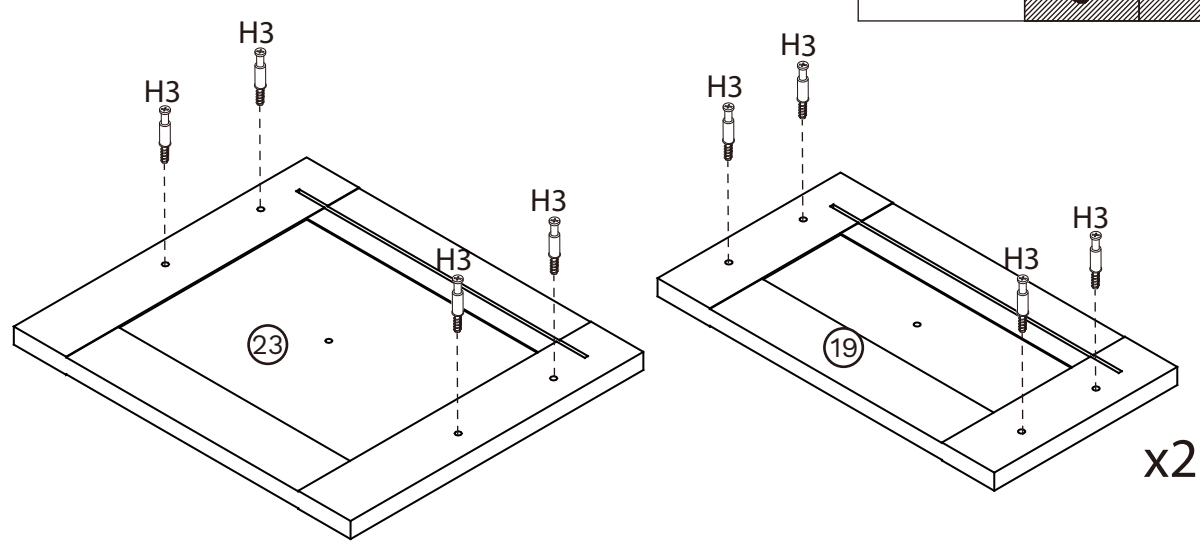
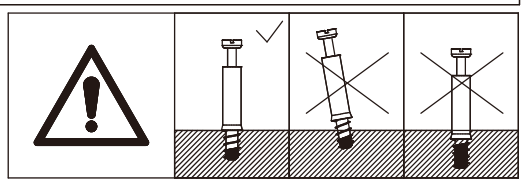
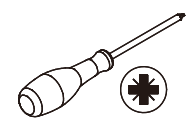
<p>B x 8</p>  <p>Ø 15 x 9 mm</p>	<p>C x 6</p>  <p>Ø 8 x 30 mm</p>	<p>L x 2</p>  <p>Ø 4 x 50 mm</p>
---	---	---



Insert 6 x Dowels (C) and 8 x Cam Nuts (B) into the holes of Left & Right Side Panels (3 & 4), Back Panel (7) and Divider (6). Rotate the cam nuts so the arrows point towards the incoming cam bolts. With assistance attach Top Panel (1) to the unit, by tightening the cam nuts with the Phillips Head Screwdriver. Attach Rail (9) to Top Panel (1) with 2 x Large Screws (L) tightening with the Phillips Head Screwdriver.

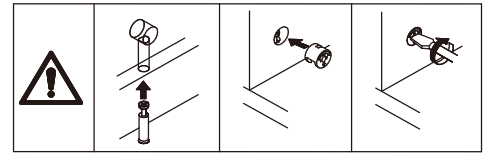
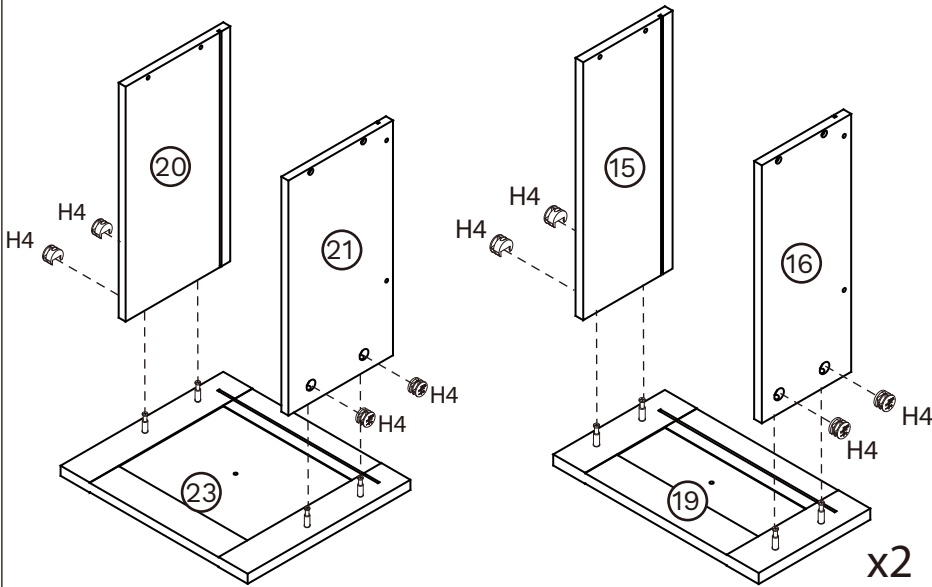
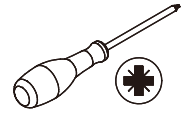
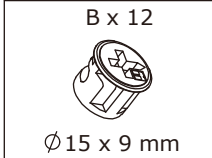
20

<p>A x 12</p>  <p>Ø 6 x 35 mm</p>
--



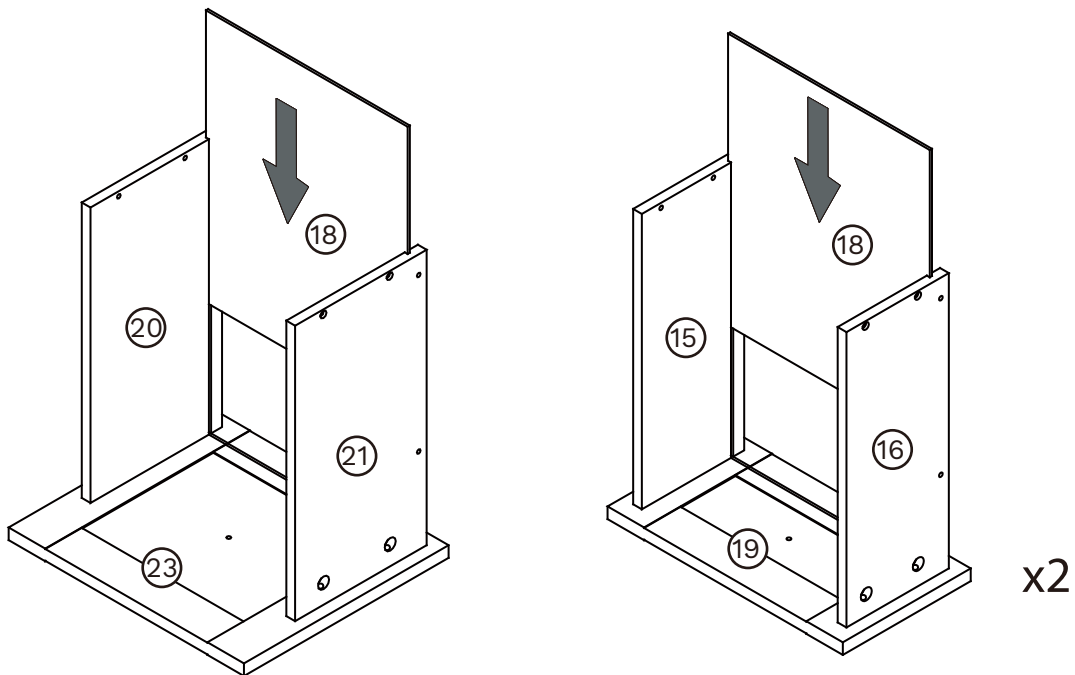
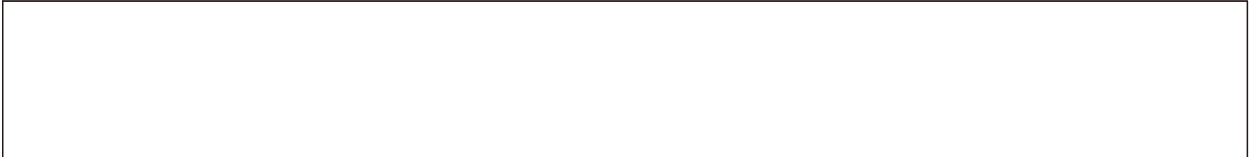
Attach 12 x Cam Bolts (H3) to the Drawer Fronts (P23 & P19 x 2), by tightening with the Phillips Head Screwdriver.

21



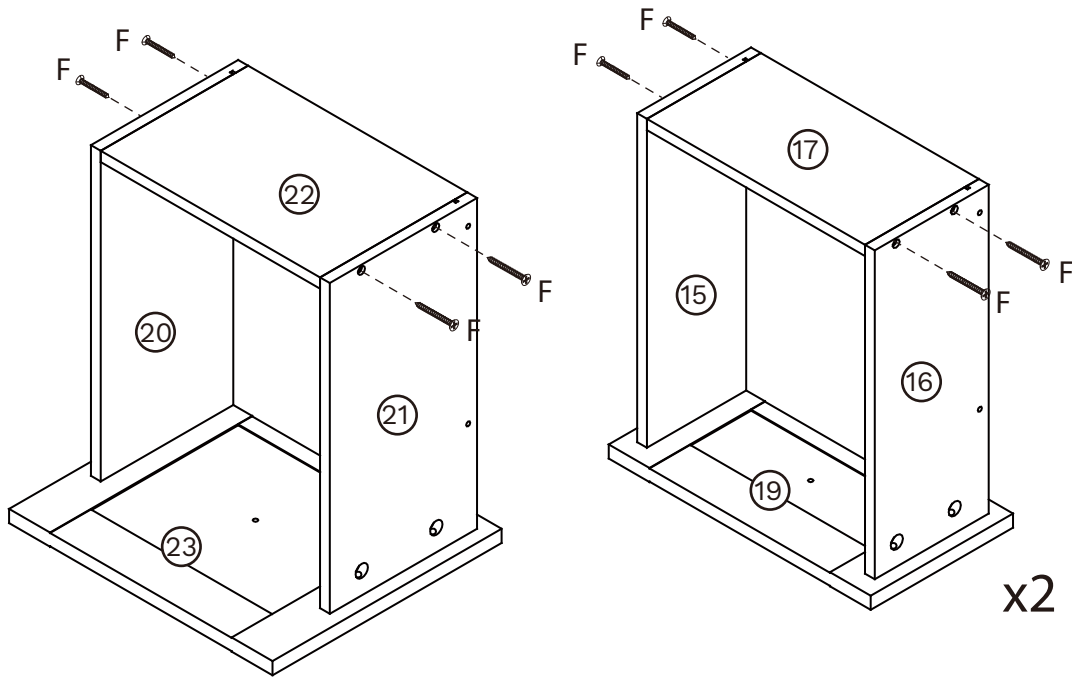
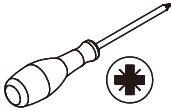
Insert 12 x Cam Nuts (H4) into the holes of Left Drawer Sides (P15 x2 & P20) and Right Drawer Sides (P16 x 2 & P21). Rotate the cam nuts so the arrows point towards the incoming cam bolts. Attach Drawer Front (P23) to Left & Right Drawer Sides (P20 & P21) as shown, by tightening the cam nuts with the Phillips Head Screwdriver. Repeat this process for Left & Right Drawer Sides (P15 x 2 & P16 x 2) and Drawer Fronts (P19 x 2).

22



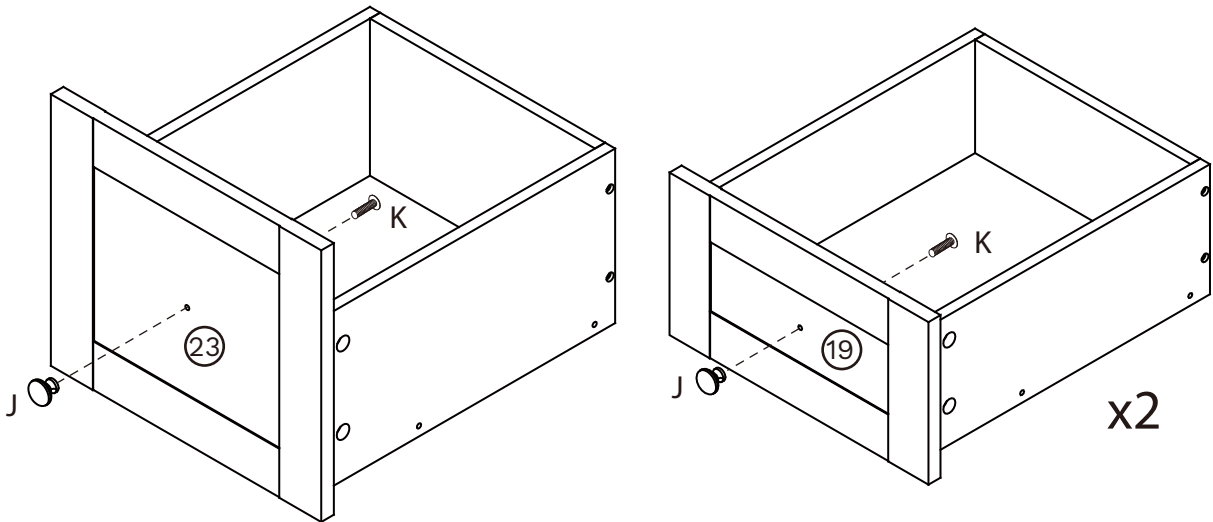
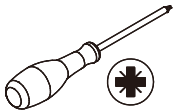
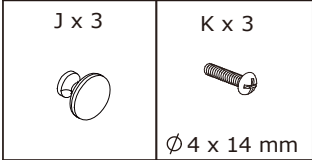
Slot in the Drawer Base (18) into the grooves of Left & Right Drawer Sides (20 & 21) and Drawer Front (23). Repeat this process for Left & Right Drawer Sides (15 x 2 & 16 x 2) and Drawer Fronts (19 x 2).

23





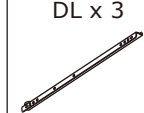

Attach Left & Right Drawer Sides (20 & 21) to Drawer Back (22) with 4 x Screws (F), by tightening with a Phillips Head Screwdriver. Ensure grooves are aligned. Repeat this process for Left & Right Drawer Sides (15 x 2 & 16 x 2) and Drawer Backs (17 x 2).

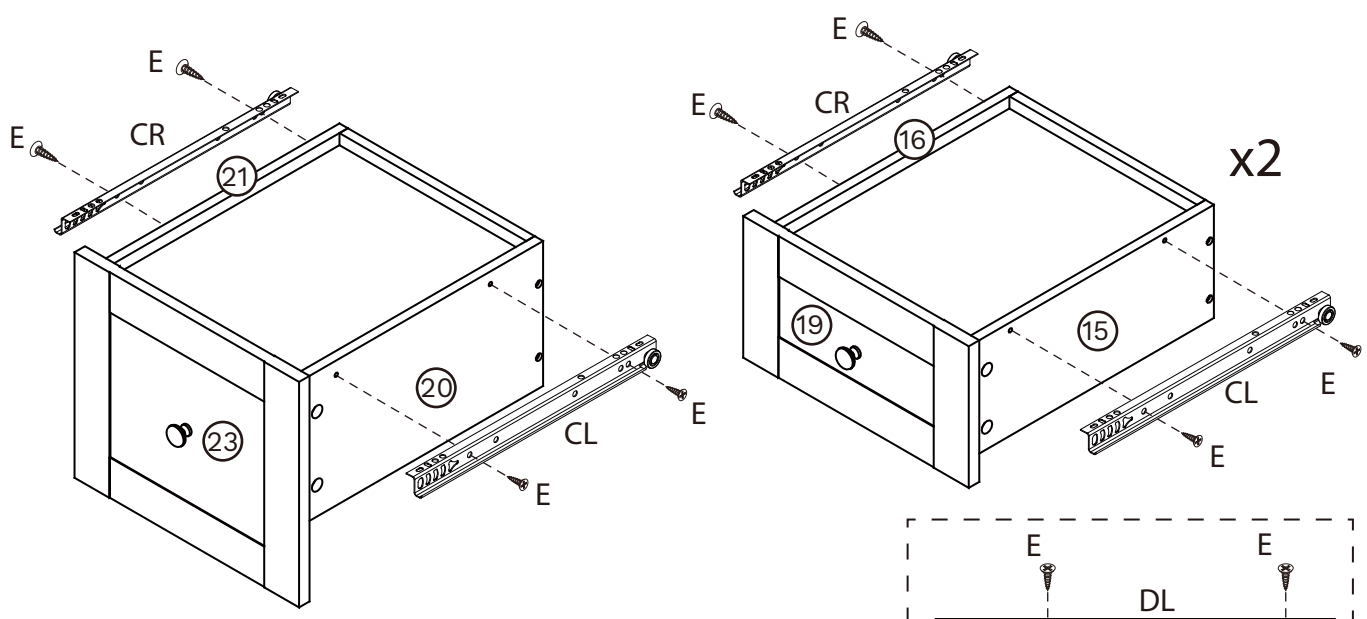
24



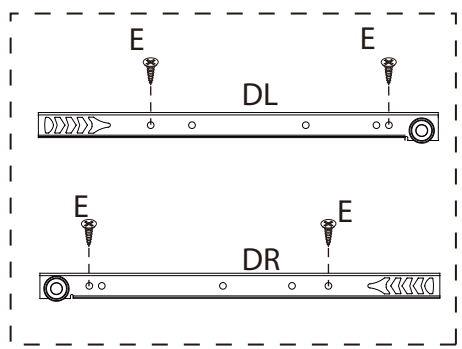
Attach 3 x Handles (J) to Drawer Fronts (23 & 19 x2) with 3 x Handle Bolts (K), by tightening with the Phillips Head Screwdriver.

25

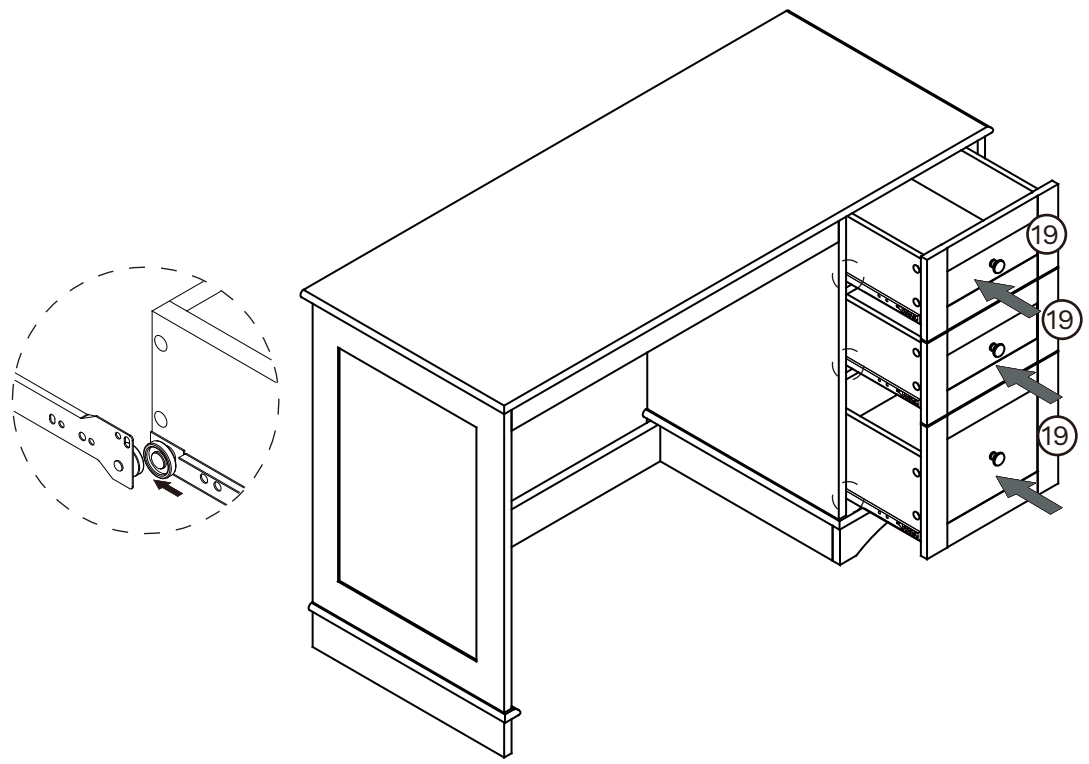
<p>E x 12</p>  <p>φ 3 x 12 mm</p>	<p>DR x 3</p>  <p>300mm</p>	<p>DL x 3</p>  <p>300mm</p>	
--	--	--	---



Attach 1 x DL Runner (CL) to the Left Drawer Side (20) and 1 x DR Runner (CR) to the Right Drawer Side (21) using 4 x Small Screws (E) by tightening with the Phillips Head Screwdriver. Repeat this process for Drawer Sides (15 x 2 & 16 x 2).

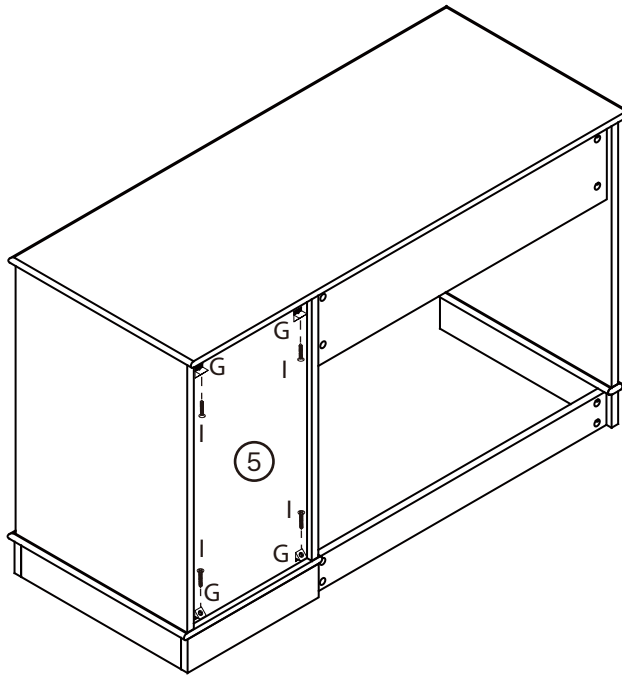
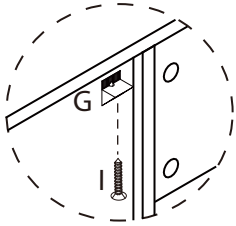


26



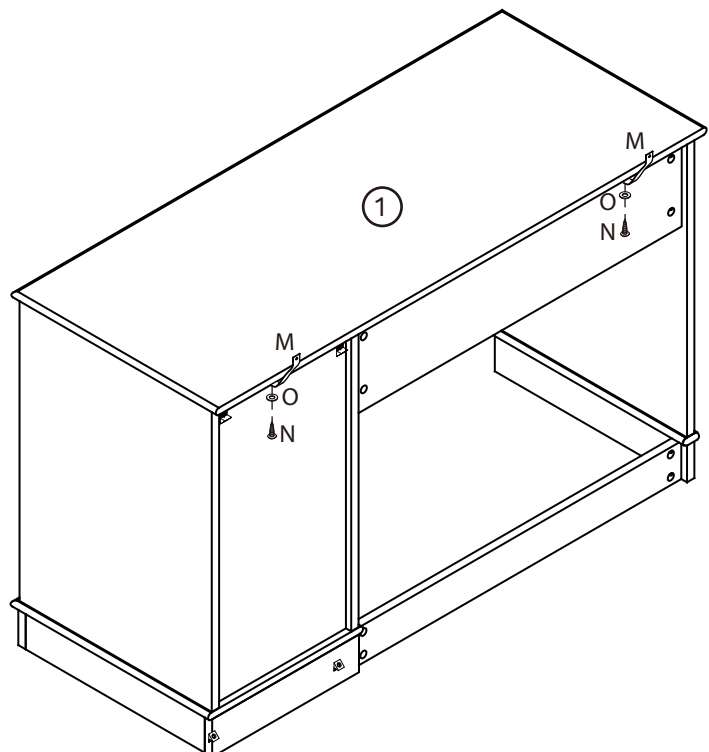
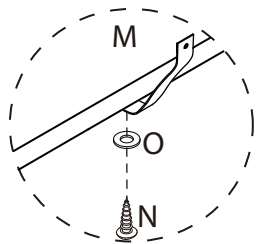
Carefully insert the drawers into the unit by gently guiding the runners into the tracks.

27



Secure Back Panel (5) in place with 4 x Wedges (G) using 4 x Wedge Screws (I), tightening with the Phillips Head Screwdriver.

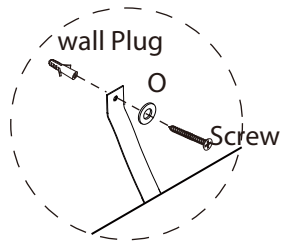
28



Use 2 x Safety Strap Screws (N) and 2 x Washers (O) to connect 2 x Safety Straps (M) to Top Panel (1).

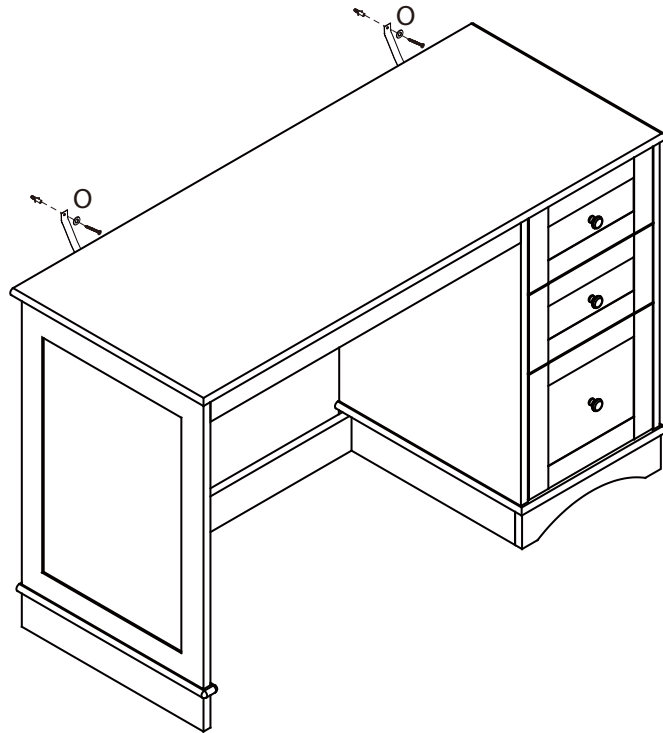
29

O x 2



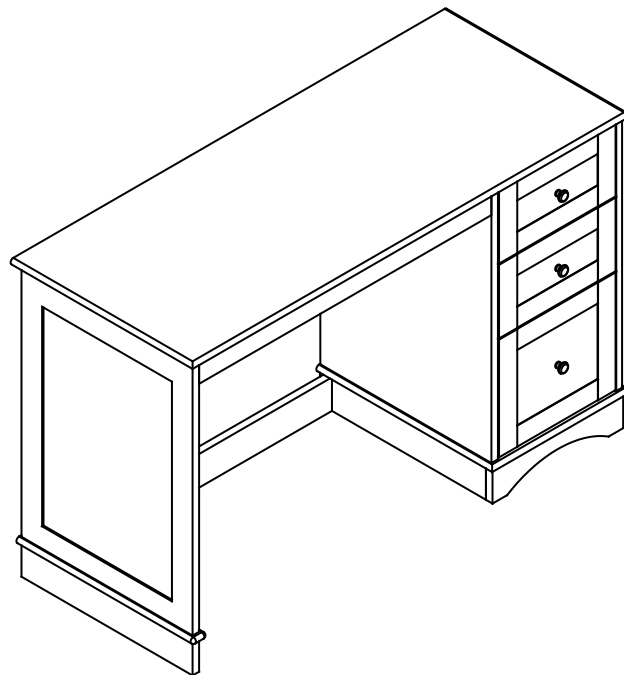
Screw and Wall Plug are not provided. Please use appropriate fixtures for your wall.

Seek advice from a qualified trades person on how to attach this safety strap to your specific wall.



Move the unit to its final position and attach the safety straps to the wall securely. Make sure it is firmly attached and snug fit.

30



Job Complete!

In the interest of our environment please dispose of all packaging thoughtfully.

WARRANTY

WARRANTY CLAIMS

- There is a 30-day warranty for broken furniture or any other problems that do not work properly. The warranty will start from the date of purchase which must be verified by proof of purchase.
- Before making a claim, we may be able to answer your query, simply contact us. Please leave your purchase order number, along with some details of the problem, if you want a replacement part. We will arrange within 48 hours. If there is out of stock, we will reply with a shipping date.
- The product must be used in accordance with the instructions provided. For health reasons.
- For other reasons, if the furniture needs to be returned, it must be cleaned and dried and operated within 30 days of receipt.

Type of Warranty Claim

- Failure to follow the furniture instructions will invalidate the warranty. Attention please.
- Does not include damage during installation, but includes damage during transportation.

Scope of responsibility

- Shall not bear any responsibility for misuse or user damage and / or loss of parts during the installation of furniture.
- After using, the damage and scratches of the furniture are not covered by the warranty.

The Warranty Relates to All Bought in The Us and Covers The Following Areas

- Sheet parts: 1 month from the date of purchase.
- Electrical parts: 1 month from the date of purchase.

RETURNS

CHANGED YOUR MIND AND NEED TO RETURN YOU ITEM?

PLEASE FOLLOW THE BELOW INSTRUCTIONS:

- If you have purchased and have simply changed your mind, follow the retailer's instructions for returns.

DEFECTIVE ITEMS

- If your item is defective in any way, i.e. it doesn't work but you can't identify why, in the first instance, please contact us.

DAMAGED ITEMS

- If you receive an order with obvious shipping damage from the retailer, then we suggest the delivery is refused. If the delivery has been accepted and then shipping damage is found, please follow the specific instructions advised by the retailer.
In all circumstances please save all packaging material and paperwork for the order. Please be aware that if you dispose of packaging material or attempt to return the merchandise without contacting the fulfiller, you jeopardise your chances of making a claim, and you may not receive a credit for the return.