

# ASSEMBLY INSTRUCTIONS

## COASTER FINE

### FURNITURE



Fine Furniture for every stage of life

# ASSEMBLY INSTRUCTIONS

## ASSEMBLY TIPS:

1. Remove hardware from box and sort by size.
2. Please check to see that all hardware and parts are present prior to start of assembly.
3. Please follow attached instructions in the same sequence as numbered to assure fast & easy assembly.



### Warning!


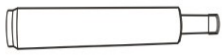


1. Don't attempt to repair or modify parts that are broken or defective. Please contact the store immediately.
2. This product is for home use only and not intended for commercial establishments.



ASSEMBLY TIME

5 MINUTES

## PARTS IDENTIFICATION

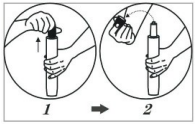
	PART NAME	FIGURE	QTY
A	SEAT		1 PC
B	GAS CYLINDER		1 PC
C	BASE		1 PC
D	COVER RING		1 PC

# ASSEMBLY INSTRUCTIONS

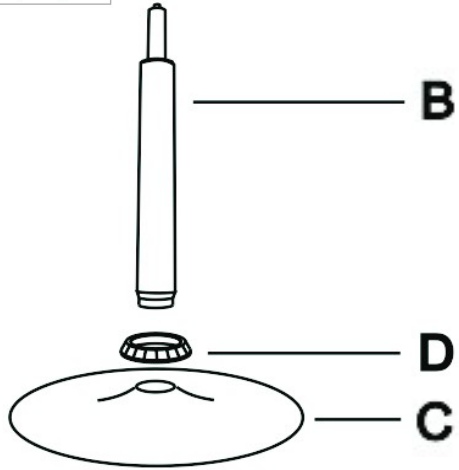
STEP1

STEP3

STEP1



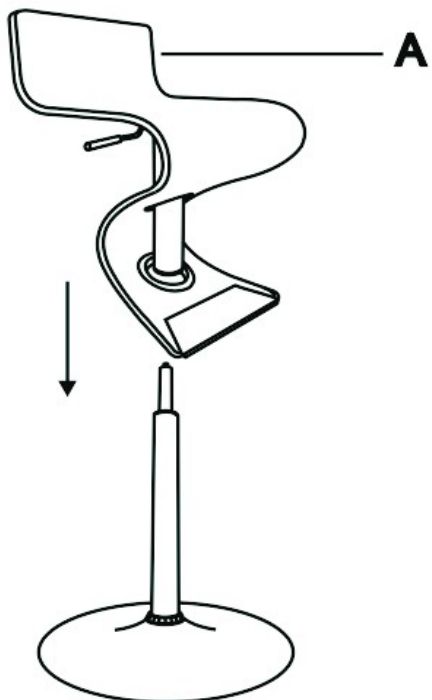
 Please pull out the sheath before using



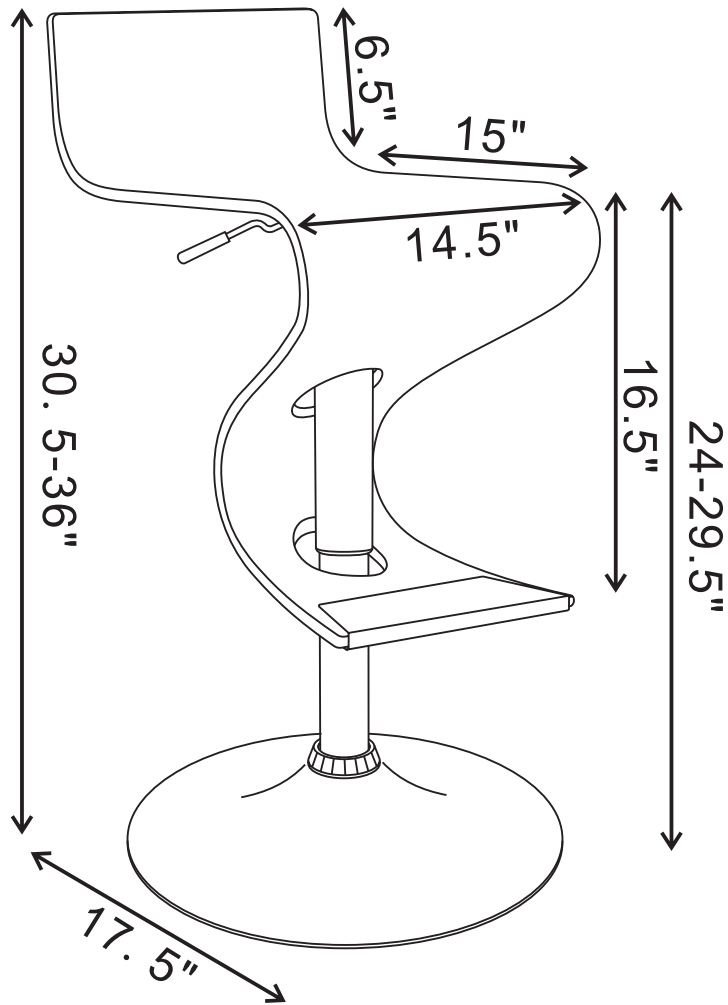
STEP3



STEP2



# ASSEMBLY INSTRUCTIONS



Note: Dimension tolerance  $\pm 5\%$