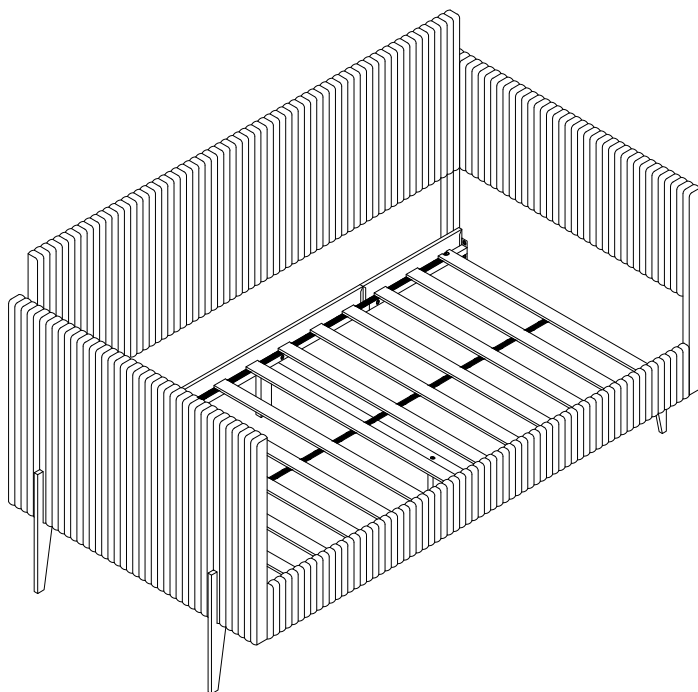


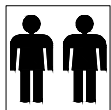
ASSEMBLY INSTRUCTION



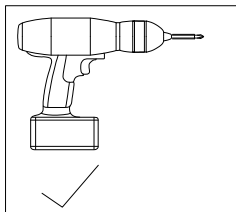
Please **TEAR OFF** this shrink film from side!
DO NOT USE CUTTER!

IMPORTANT NOTE

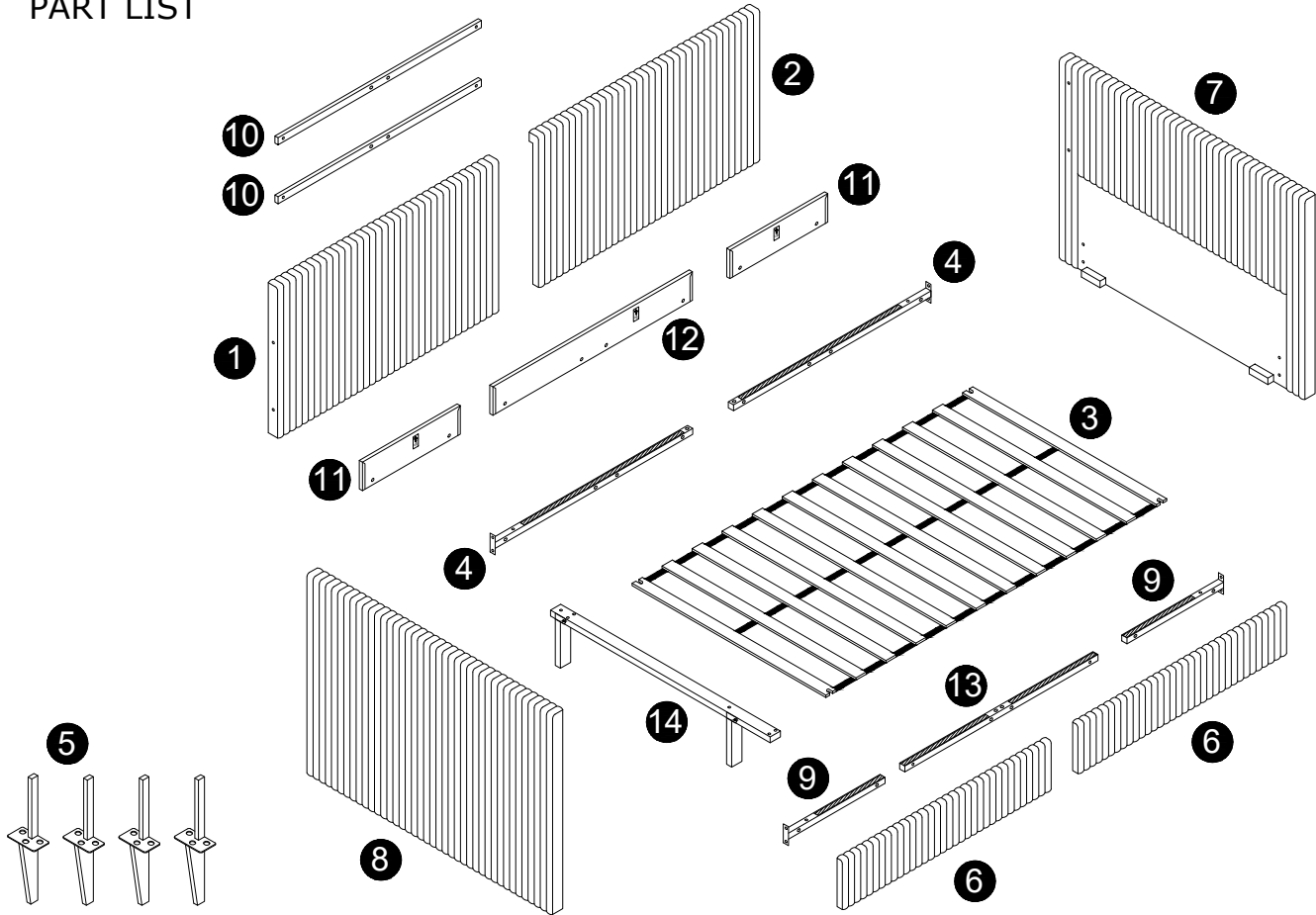
- 1. The product is shipped in two packages. Please check the number of packages received before assembly. If you are missing one package, receive a duplicate package, or have any assembly or after-sales issues, please contact us**
2. For the protection of your furniture, place all parts on a clean and smooth surface to prevent any damage.
3. Keep fittings out of children's reach and keep children well away from construction area.
4. When moving your assembled bed, it is best to lift the bed and never to drag it.
5. Do not use this product if parts are missing, damaged or worn.
6. This product should only be used on firm, level ground.
7. Please periodically check all fittings and re-tighten as necessary.
8. Do not use the bed unless all bolts and screws are firmly secured.
9. For further assistance, please provide a screenshot of your order and contact us via email.

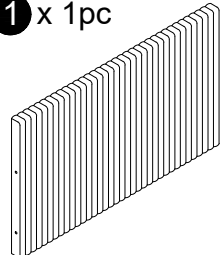
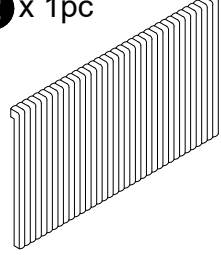
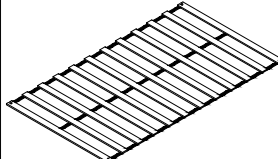
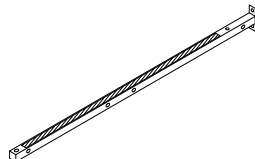

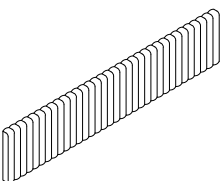
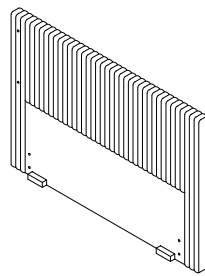
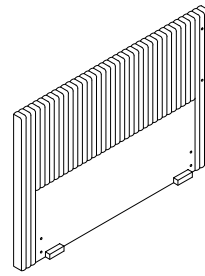
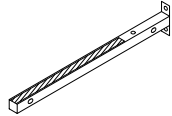
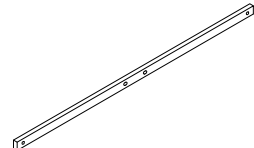
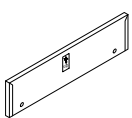
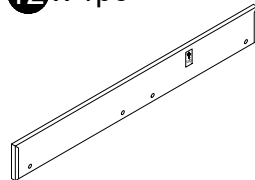
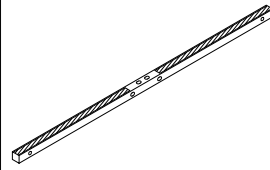
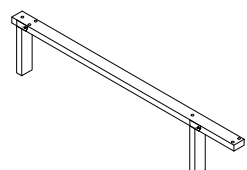


Minimum two
person assembly




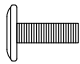



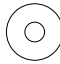
PART LIST



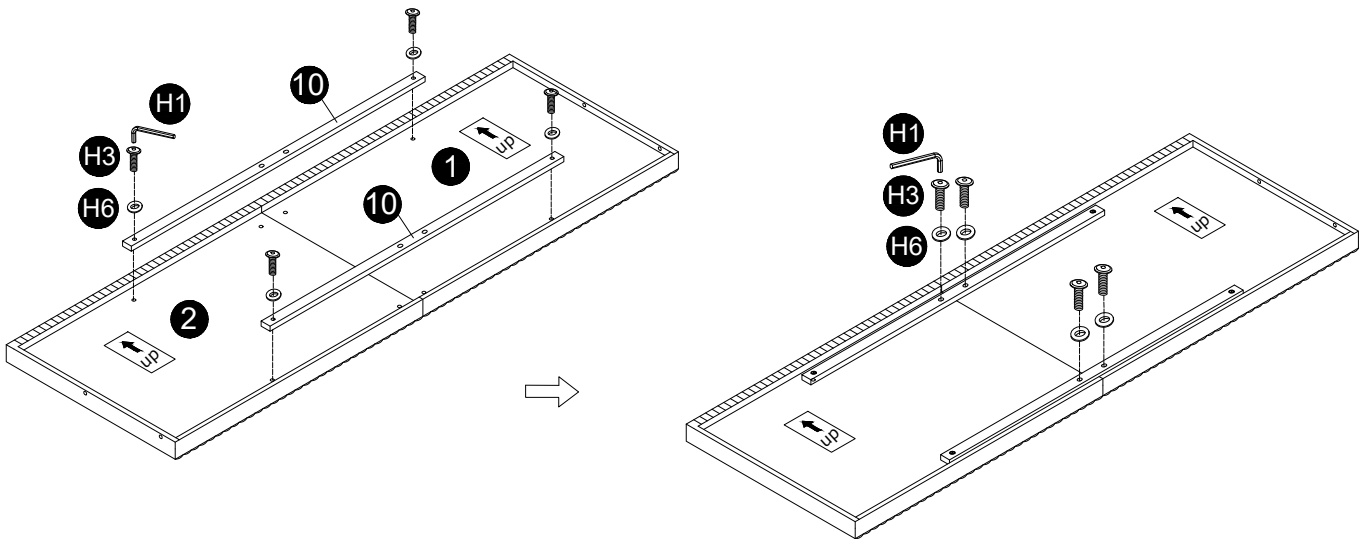
1 x 1pc 	2 x 1pc 	3 x 1pc 	4 x 2pcs 	5 x 4pcs 
6 x 2pcs 	7 x 1pc 	8 x 1pc 	9 x 2pcs 	10 x 2pcs 
11 x 2pcs 	12 x 1pc 	13 x 1pc 	14 x 1pc 	

Please ensure to thoroughly inspect the small inner cardboard box containing the hardware, which are tied with a red string, before disposing of the box.

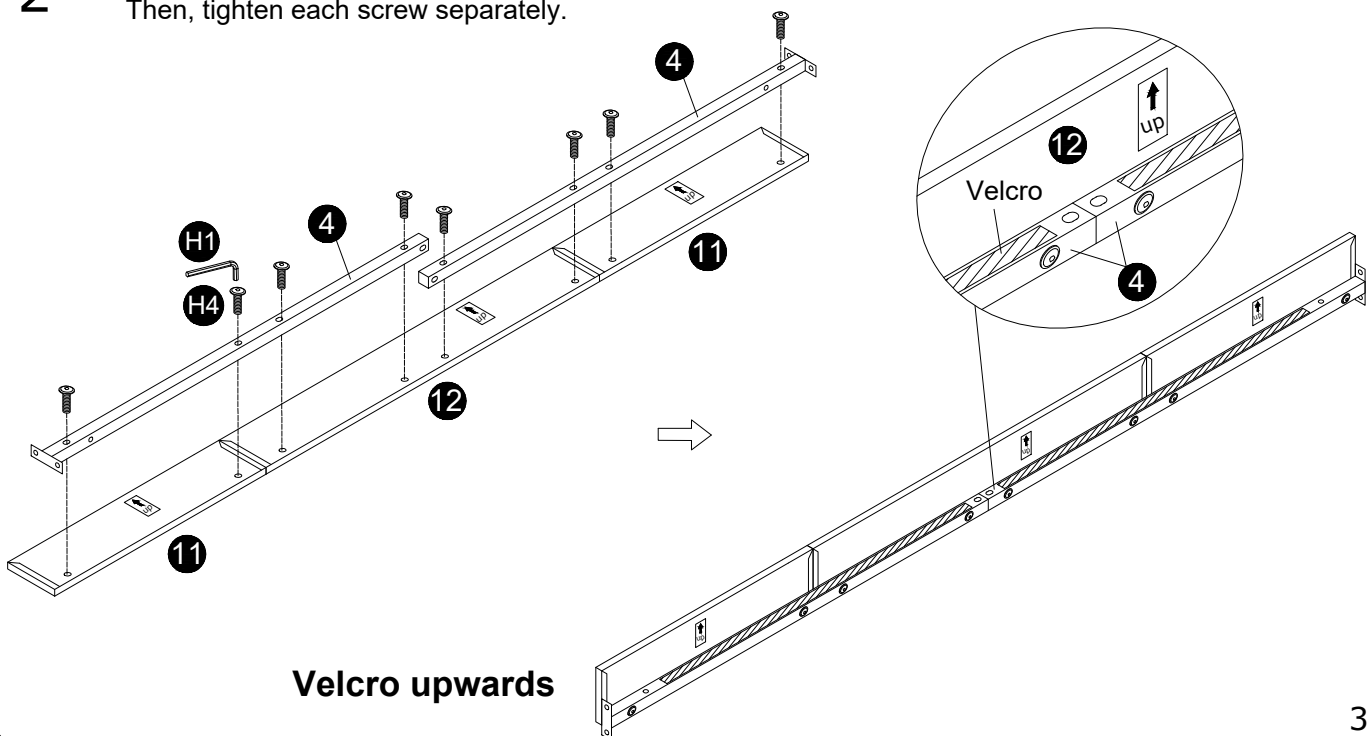
HARDWARE LIST

 <p>H1 M5 x 1pc</p>	 <p>H2 M8x25mm x 20pcs</p>	 <p>H3 M8x35mm x 8pcs</p>	 <p>H4 M8x40mm x 30pcs</p>
 <p>H5 M8 x 24pcs</p>	 <p>H6 M8x22mm x 32pcs</p>		

1 As shown in the diagram, align the screws with the corresponding holes and pre-fix them. Then, tighten each screw separately.

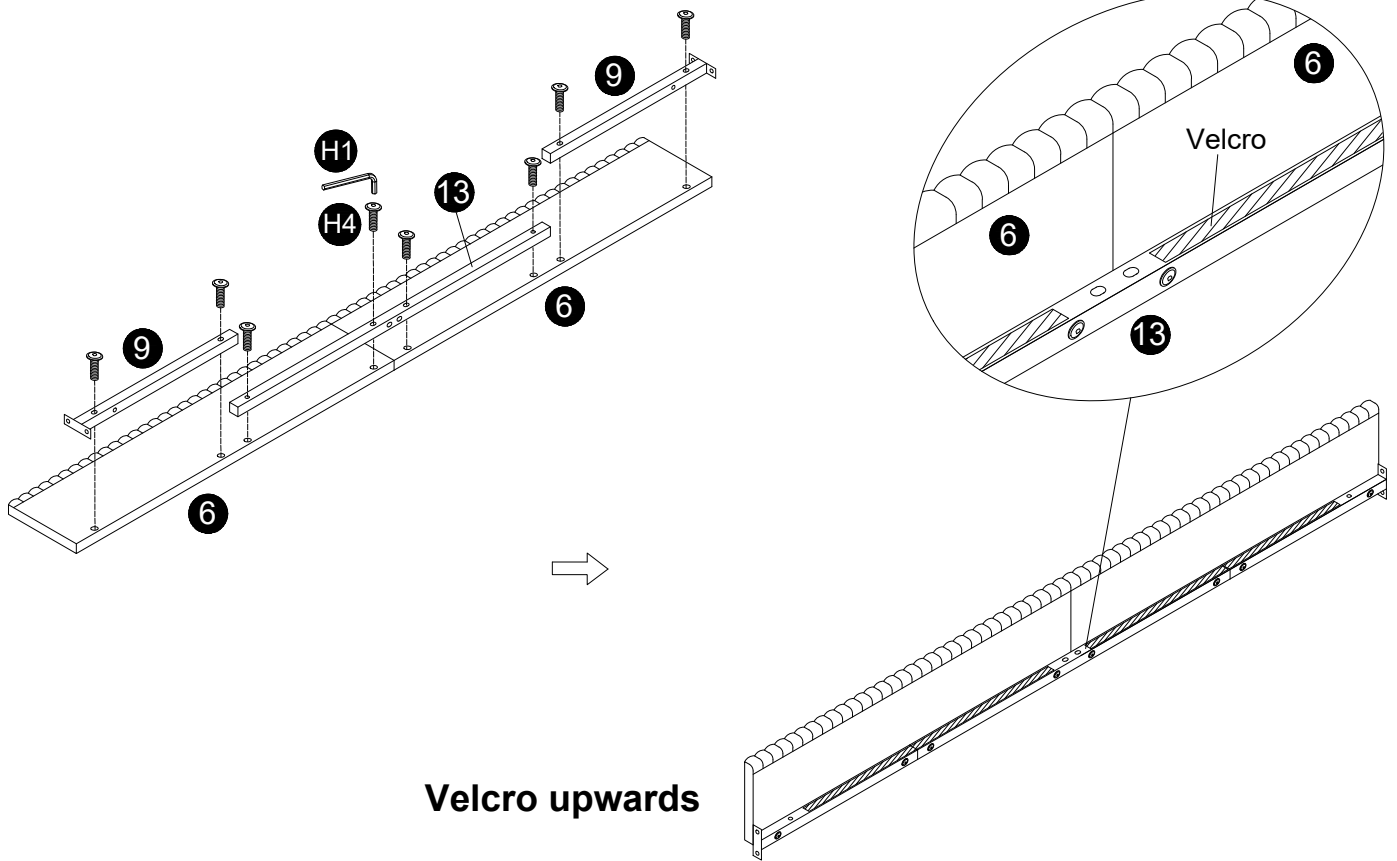


2 As shown in the diagram, align the screws with the corresponding holes and pre-fix them. Then, tighten each screw separately.

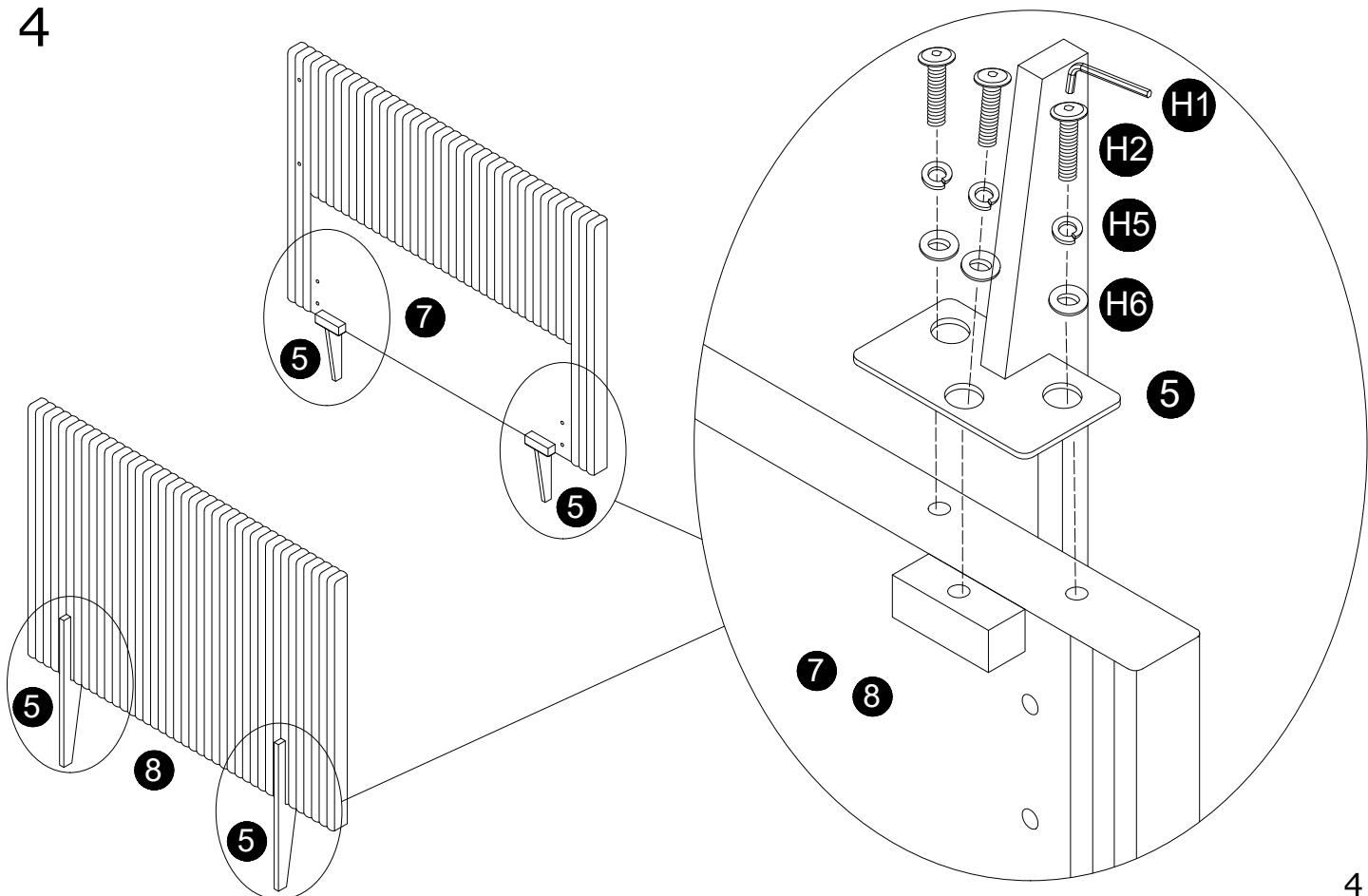


3

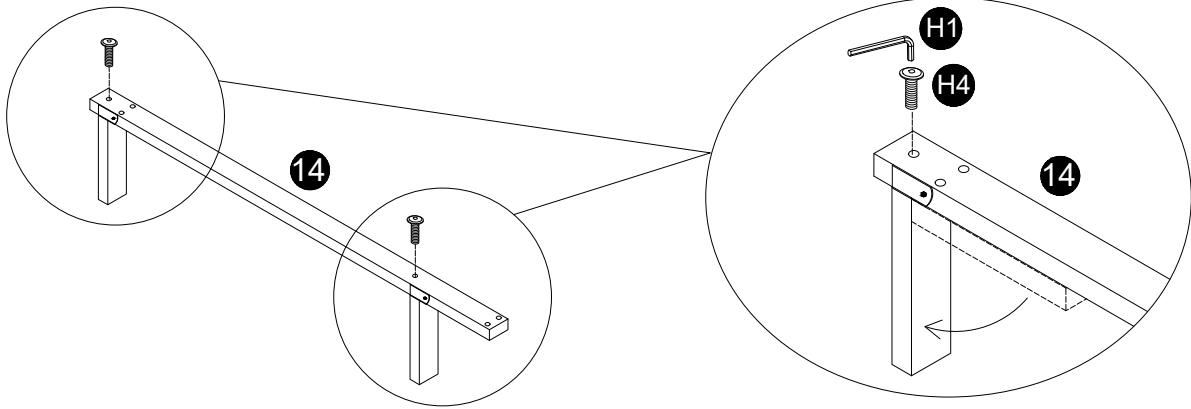
As shown in the diagram, align the screws with the corresponding holes and pre-fix them. Then, tighten each screw separately.



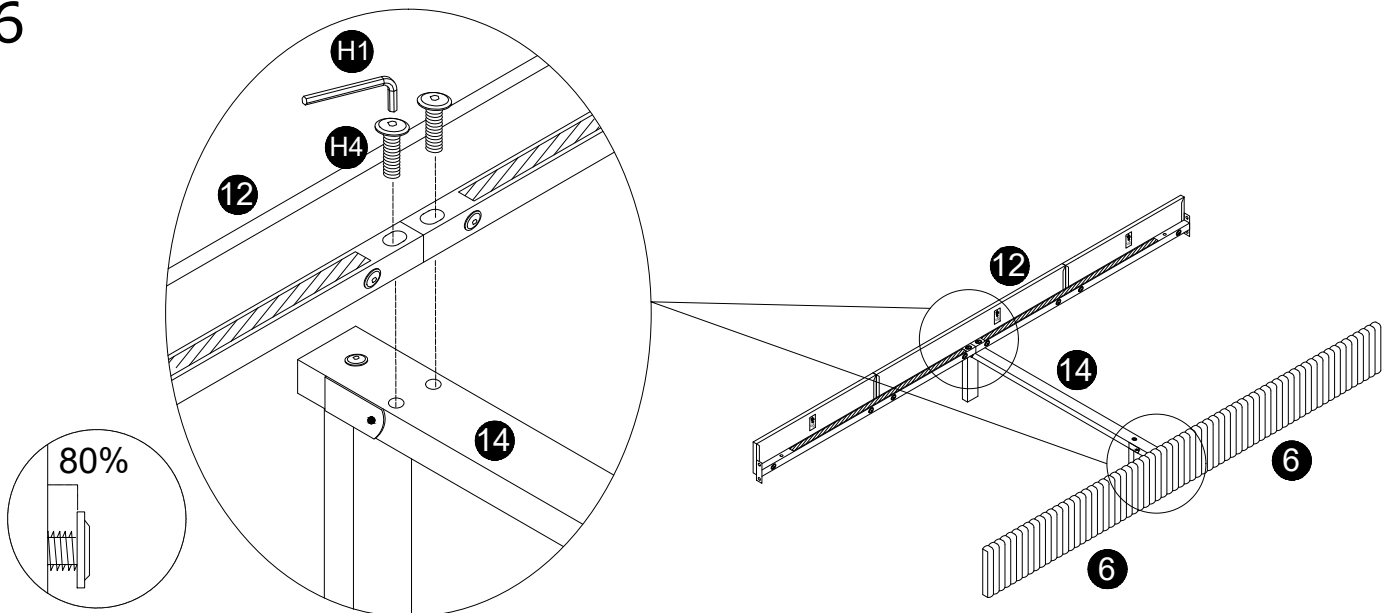
4



5

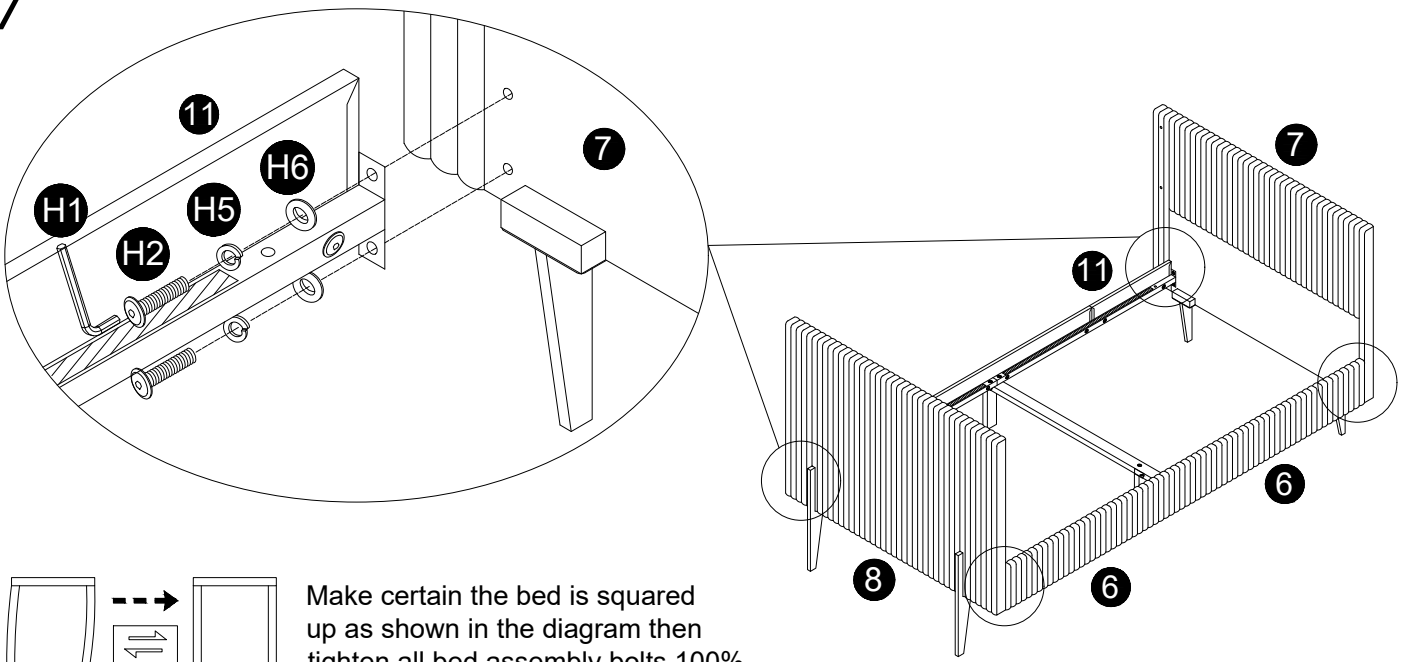


6



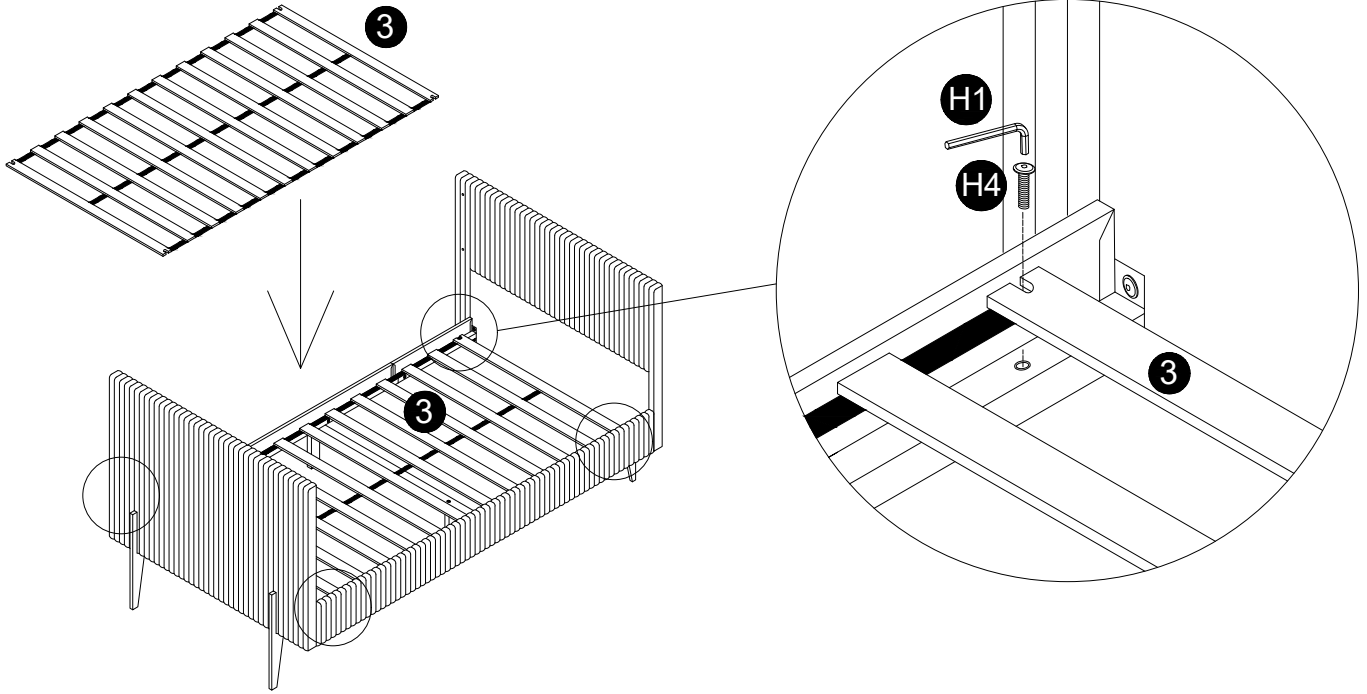
Do not fully tighten fixings!

7



Make certain the bed is squared up as shown in the diagram then tighten all bed assembly bolts 100%.

8



9

