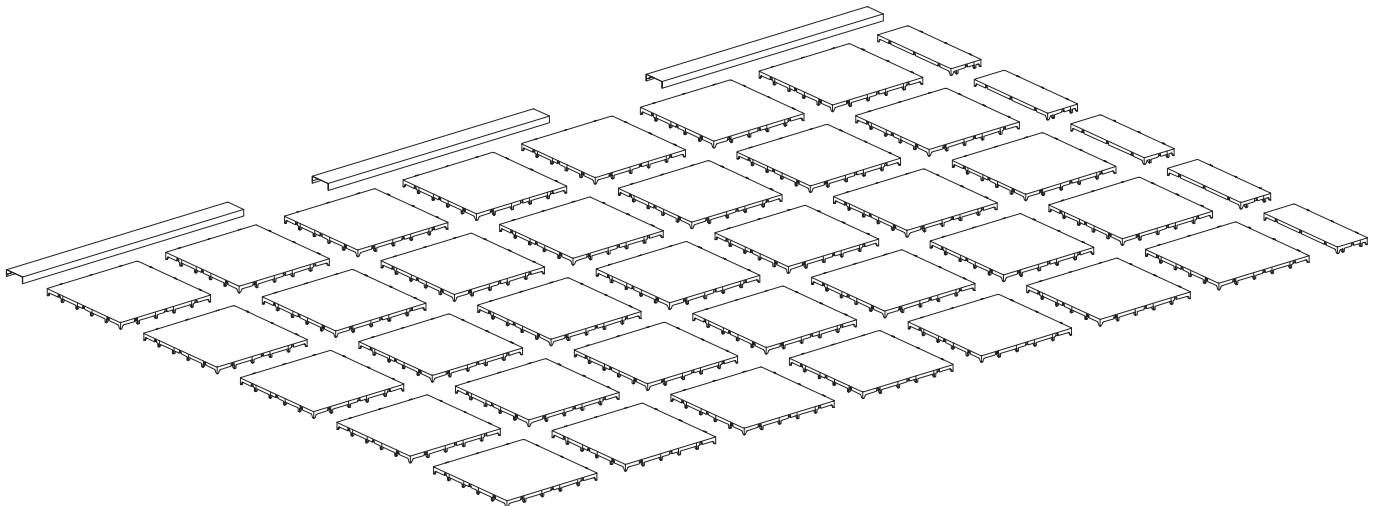


Plastic Floor For 6*8 Storage Shed

If you have any questions about the Plastic Floor, please feel free to contact us.

Customer Service Email: Service@alaulm.com



P25082-D1

IMPORTANT

PLEASE READ BEFORE YOU COMMENCE ASSEMBLY

Follow the guidelines in this user guide to ensure correct assembly and care for this product.

PART LIST

Parts List

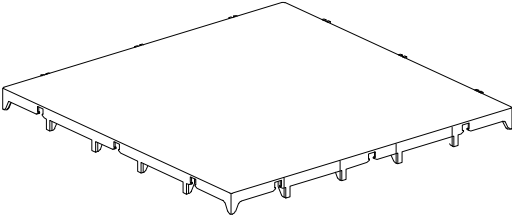
L001



784.6 mm Metal Frame

3PCS

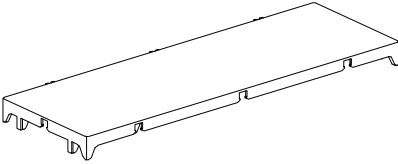
L002



321*321 Plastic Flooring

35PCS

L003



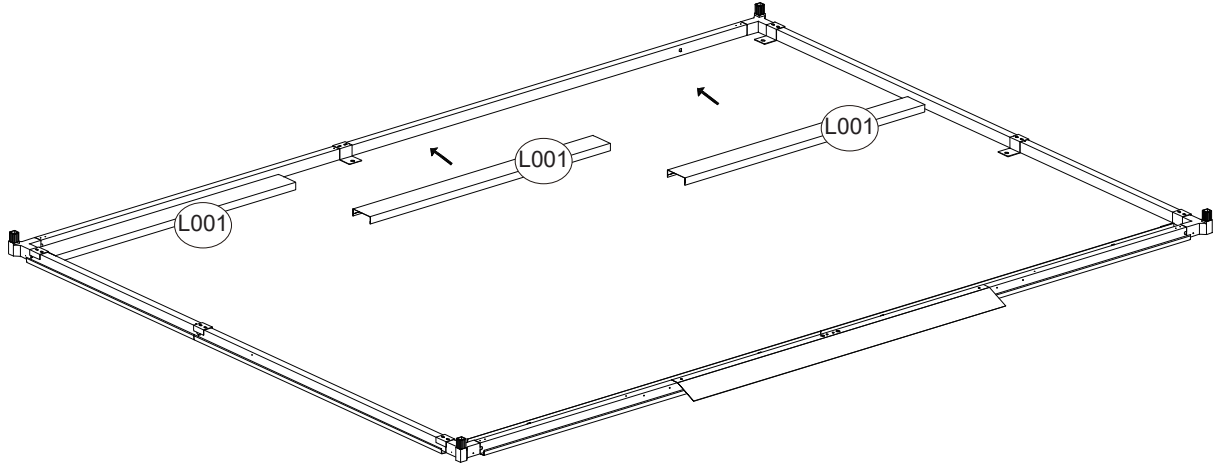
321*107 Plastic Flooring

5PCS

How To Assemble the Plastic Floor

Step 1: Place the metal frame (L001) flush against the long side of the storage shed's interior.

NOTE: Products for installing flooring do not require the installation of L025.



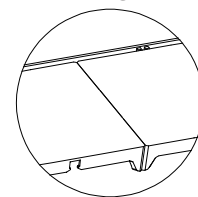
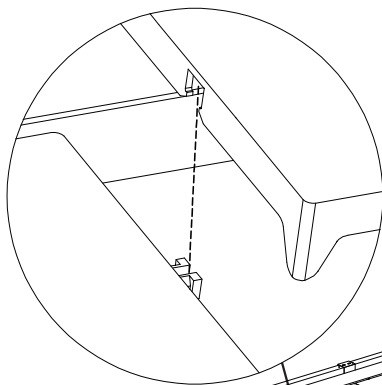
L001



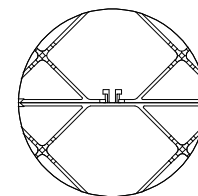
x3

Step 2: Arrange plastic floor blocks L002 and L003 as shown in the diagram, interlocking them to fill all gaps within the storage shed.

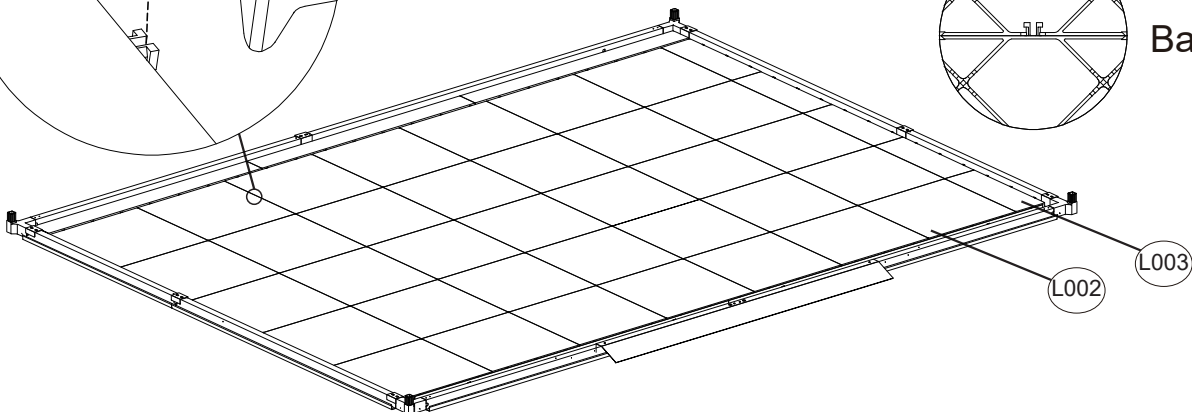
NOTE: Arrange the pieces along the innermost part of the storage shed. Be careful not to pinch your fingers.



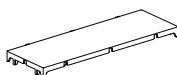
Front



Back

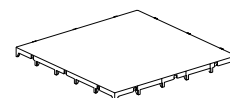


L003



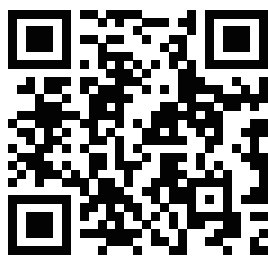
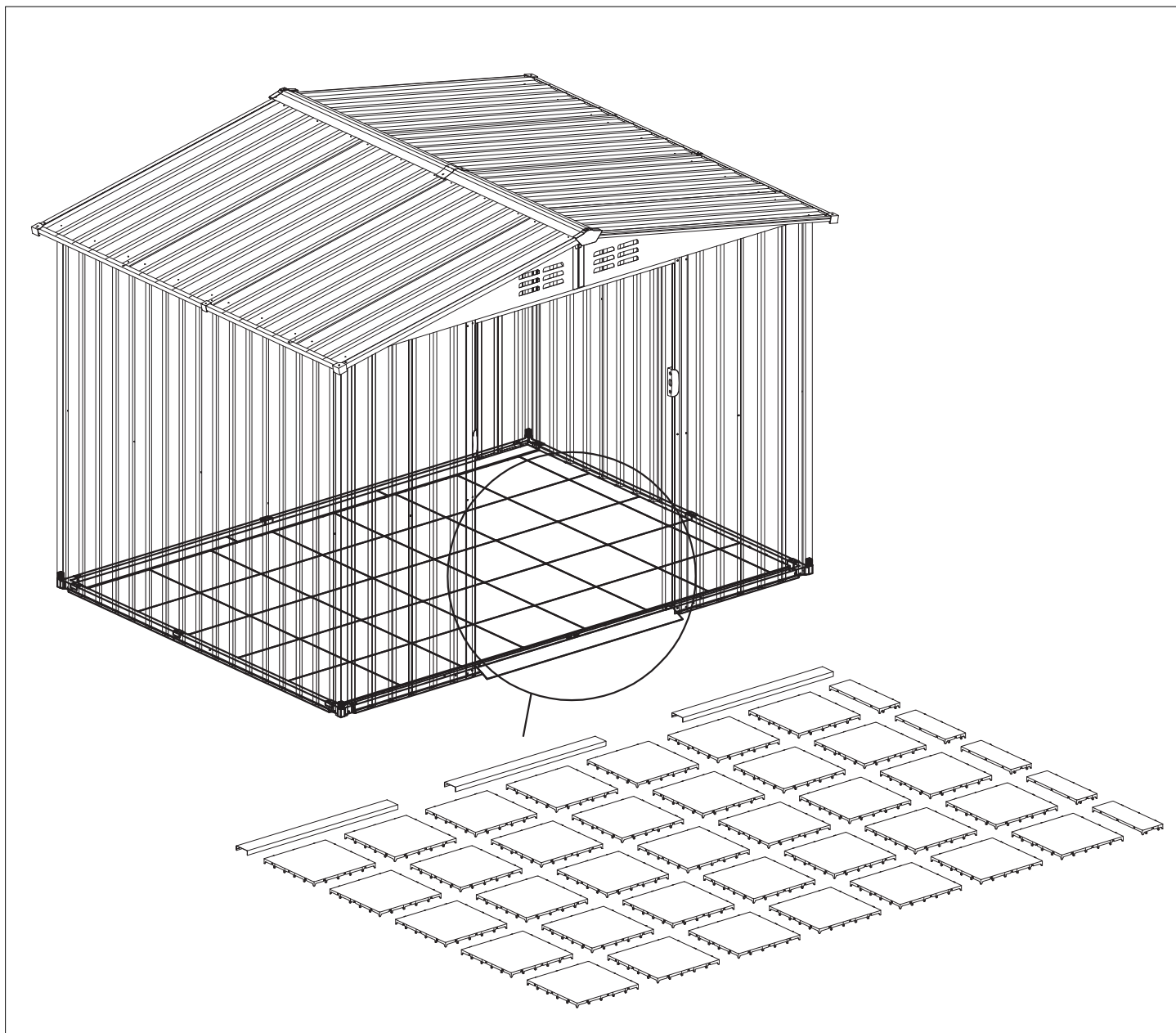
x5

L002



x35

Installation steps



www.alaulm.com

Make your life much better.