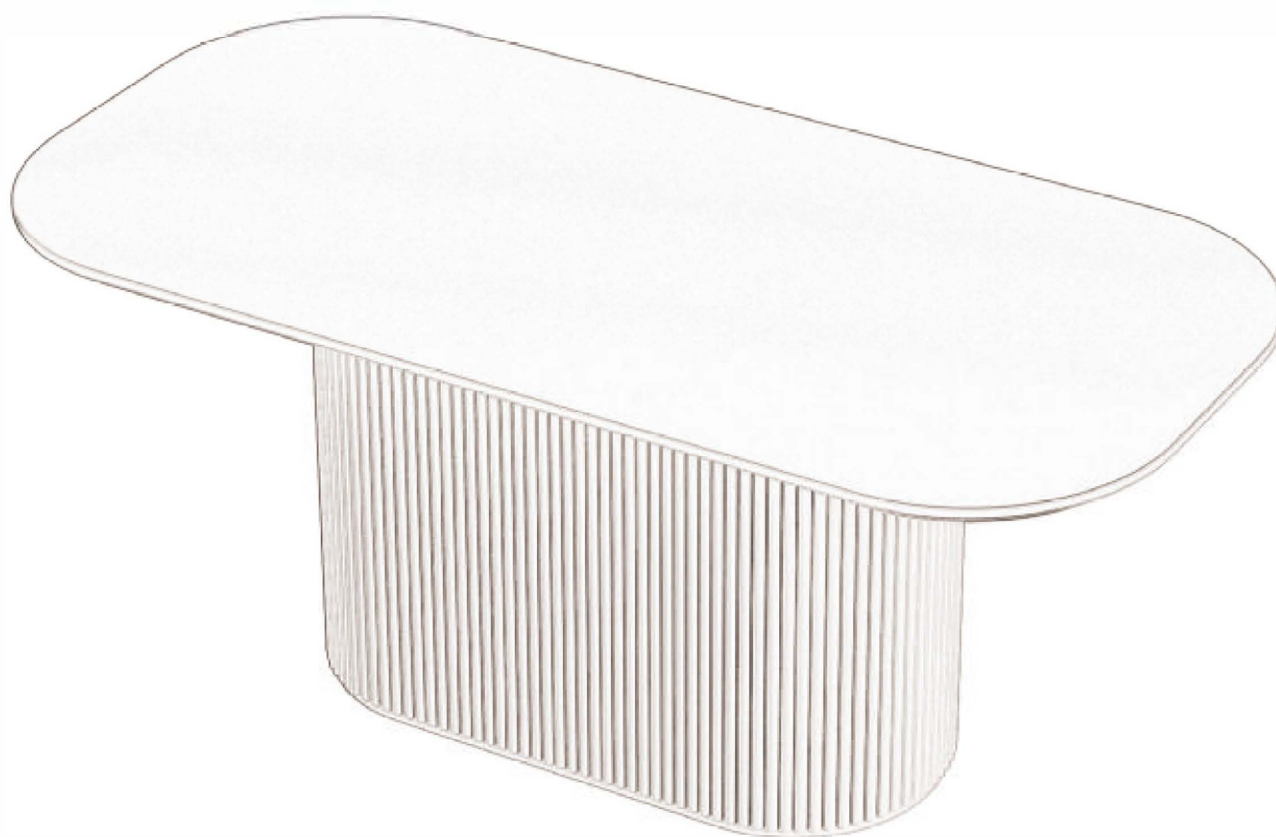


# PRODUCT CARE HANDBOOK

a guide to protecting your product



I'm made from 100%  
recycled paper



# GuideTo Assembly

Thank you for purchasing this product. Please read these instructions fully before starting assembly, then follow the simple step by step guide.

## TOP TIPS BEFORE YOU START!

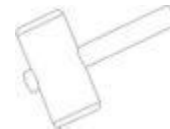
1. Please check that all parts & hardware are present before you start the assembly of your furniture. Do not destroy any of the packaging until you are certain that you have all the necessary parts for assembly.
2. For ease and speed of assembly, we recommend that before you commence each step of the assembly, please identify all the parts required for that step.
3. We recommend that where possible, all items are assembled near to the area in which they will be placed in use, to avoid moving the product unnecessarily once assembled.
4. For the protection of your furniture, particularly items of high gloss finish, we recommend that the product is placed on a protected surface during assembly to prevent any damage.
5. During assembly please take care not to over-tighten any fittings, as this may damage the product.
6. Keep children and animals away from the work area, small parts could cause choking if swallowed.

## Tools Required For Assembly

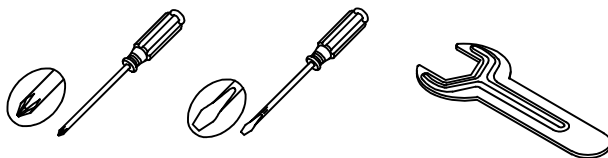


DO NOT USE POWER TOOLS TO ASSEMBLE THIS PRODUCT. USE OF POWER TOOLS WILL INVALIDATE ANY CLAIM AND MAY DAMAGE THIS PRODUCT MAKING IT UNSAFE.

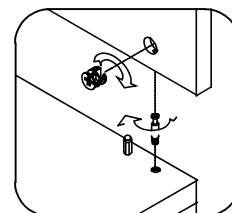
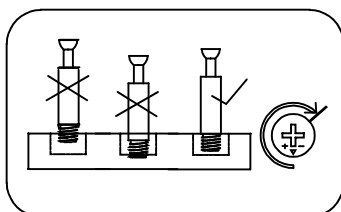
Rubber Hammer

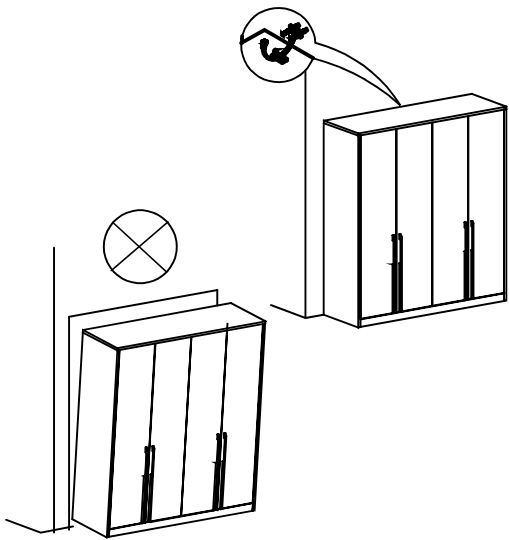


Self-provided general tool diagram:

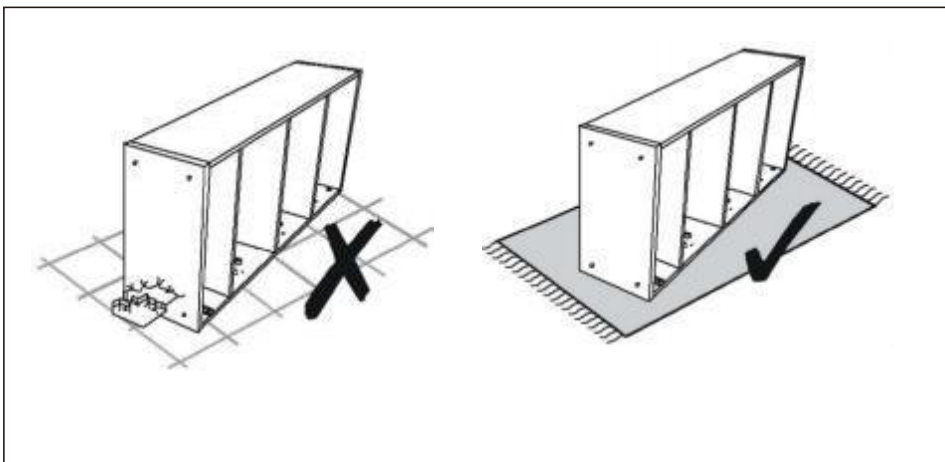
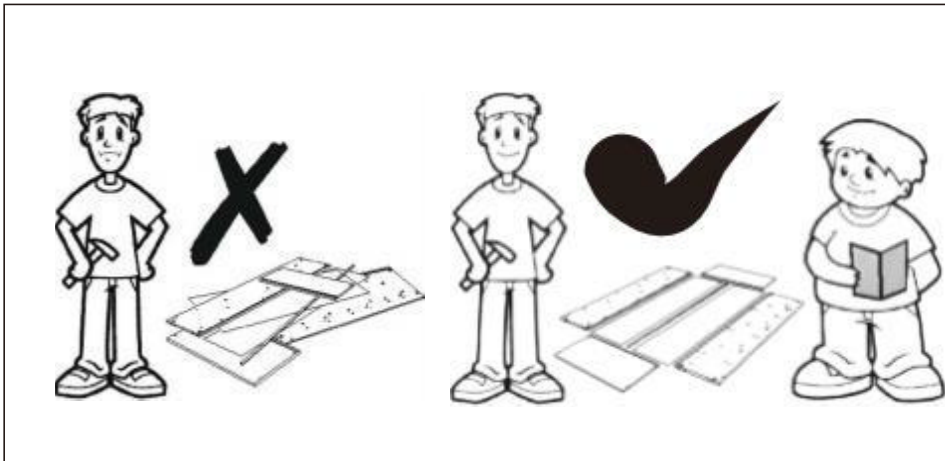


Tape Measure

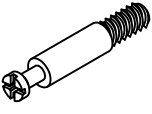



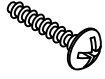
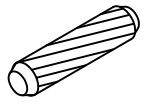

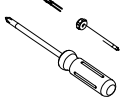




matters needing attention

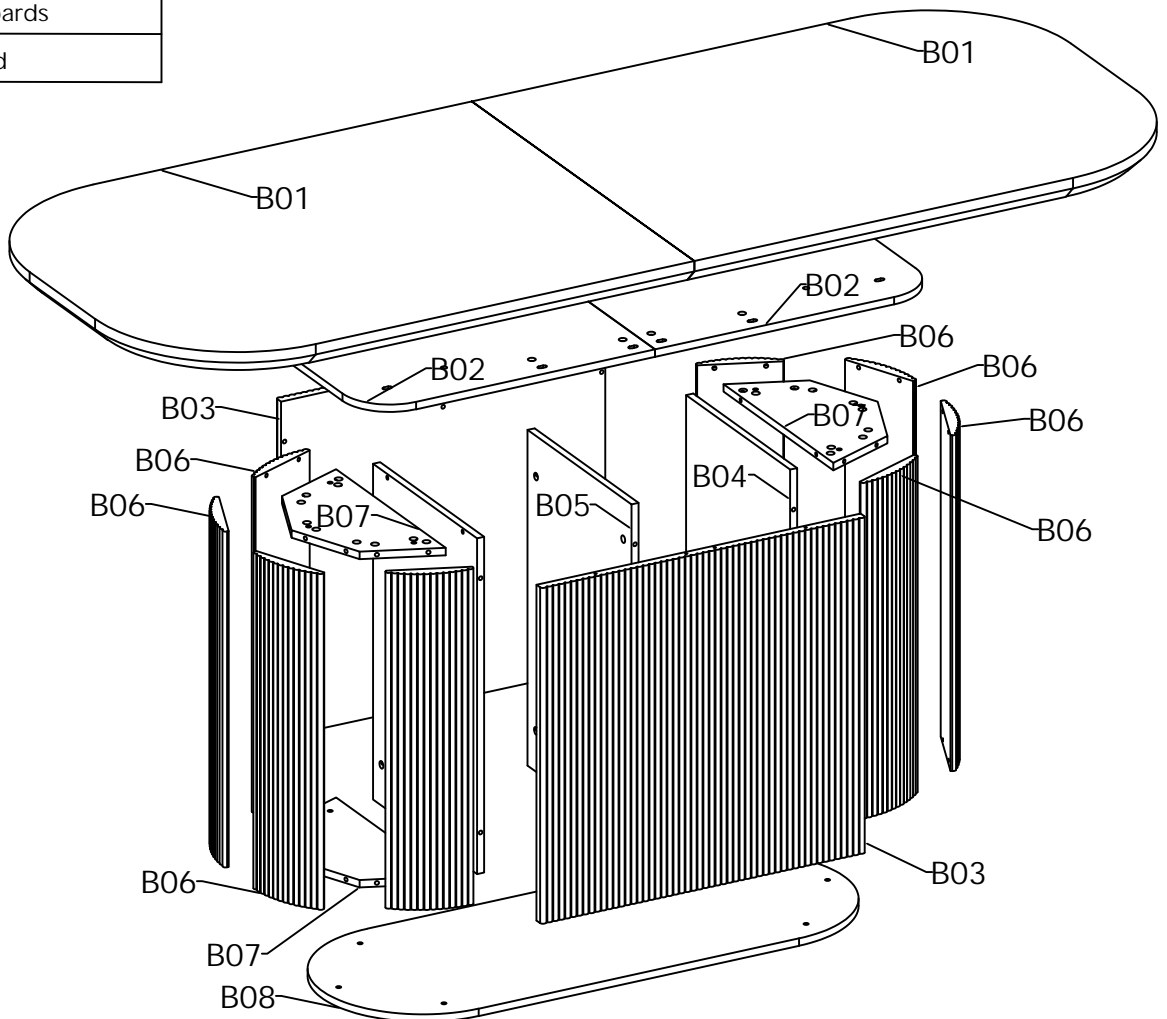


## Table Installation Hardware List

H1101  Cam lock screw 60PCS	H1201  Cam lock nut 60PCS	H5105  Allen wrench 1PC	H2525  Self adhesive pad 8PCS
HA0062  Self tapping screw 8PCS	H1113  Wooden dowel $\Phi 8 * 40$ 18PCS	H1130  Flat head hexagon screw M8*30 24PCS	HV0003  2 in 1 Screwdriver 1PCS

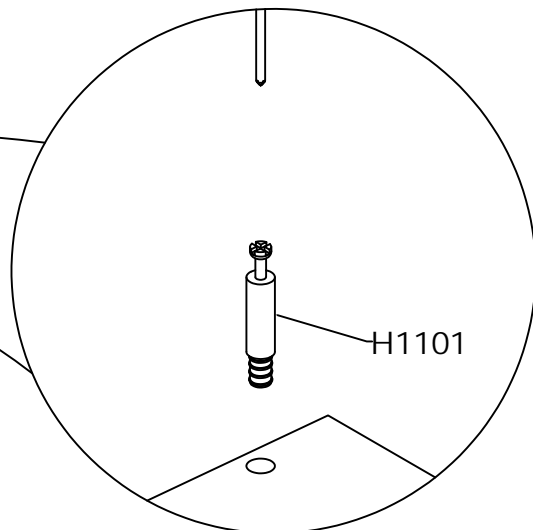
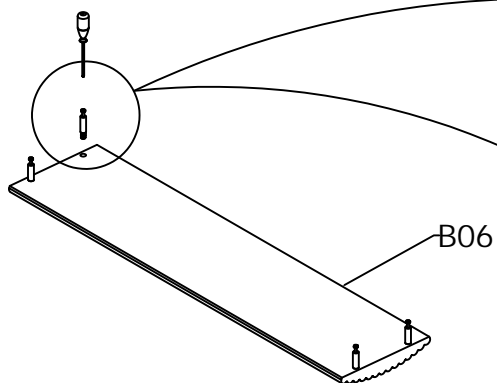
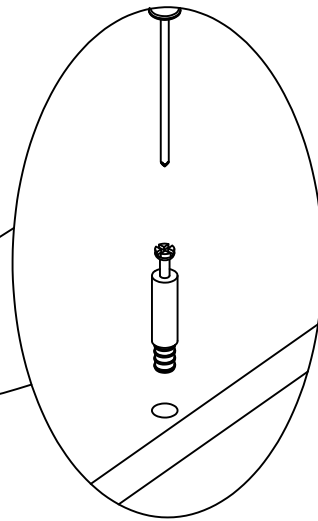
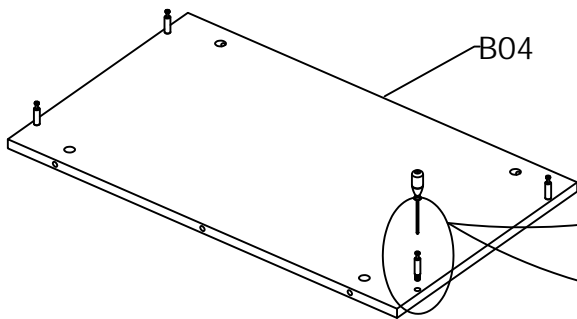
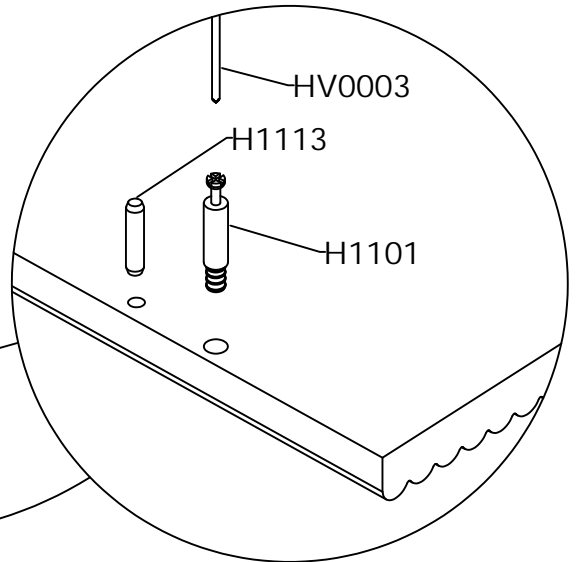
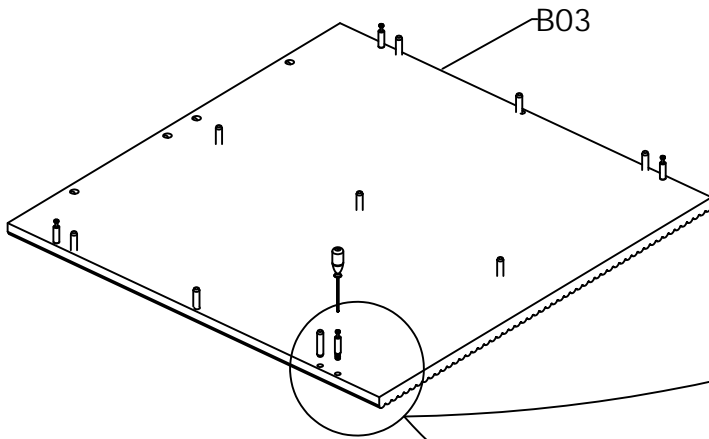
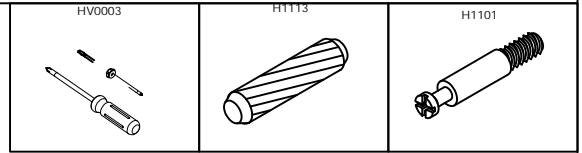
## Table Installation Accessories List

B01*2 Top boards
B02*2 Connection plate
B03*2 Front and rear side panels
B04*2 Left and right side panels
B05*1 Center panel
B06*8 Fence board
B07*4 Small roof boards
B08*1 Bottom board

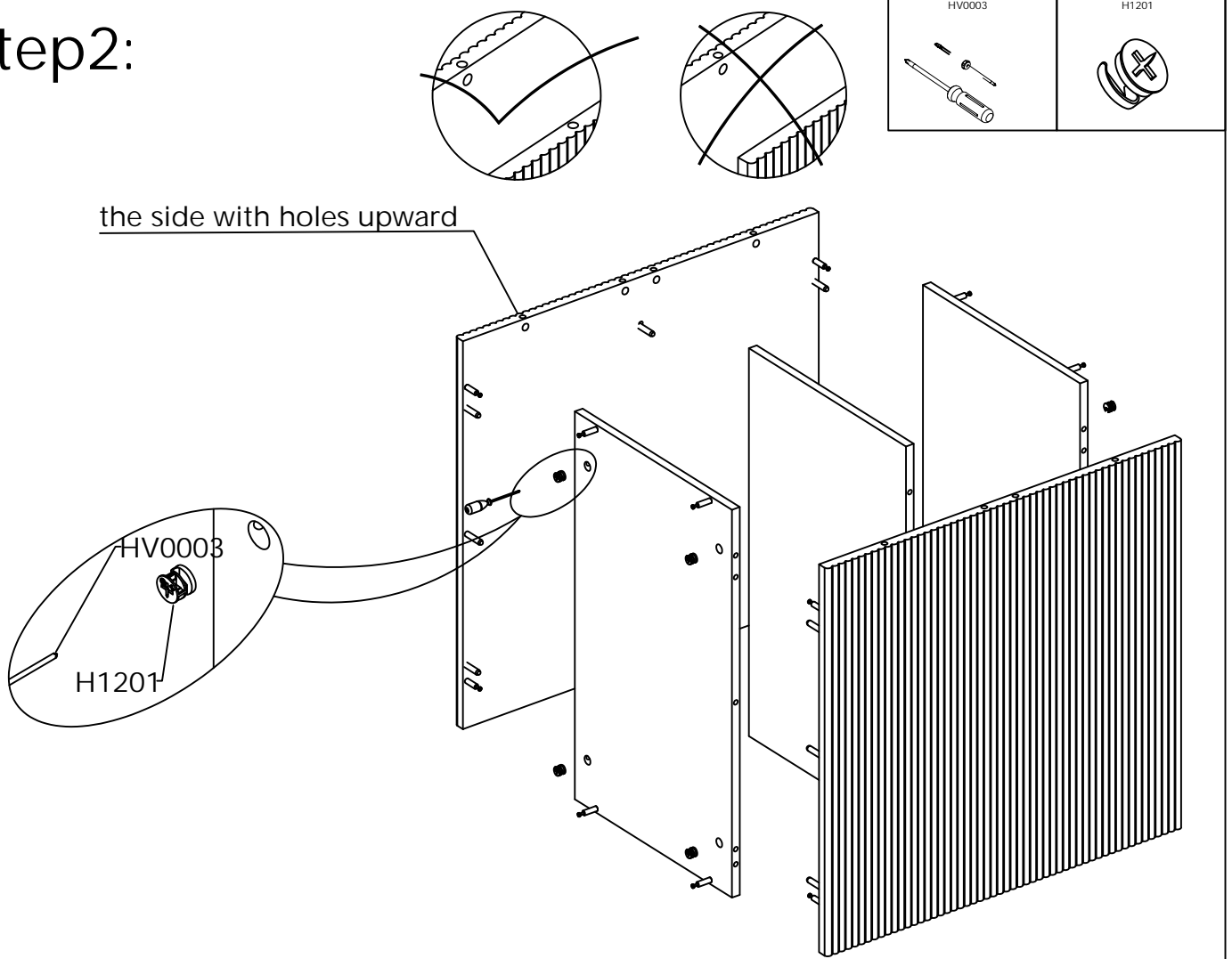


# Installation steps for dining table

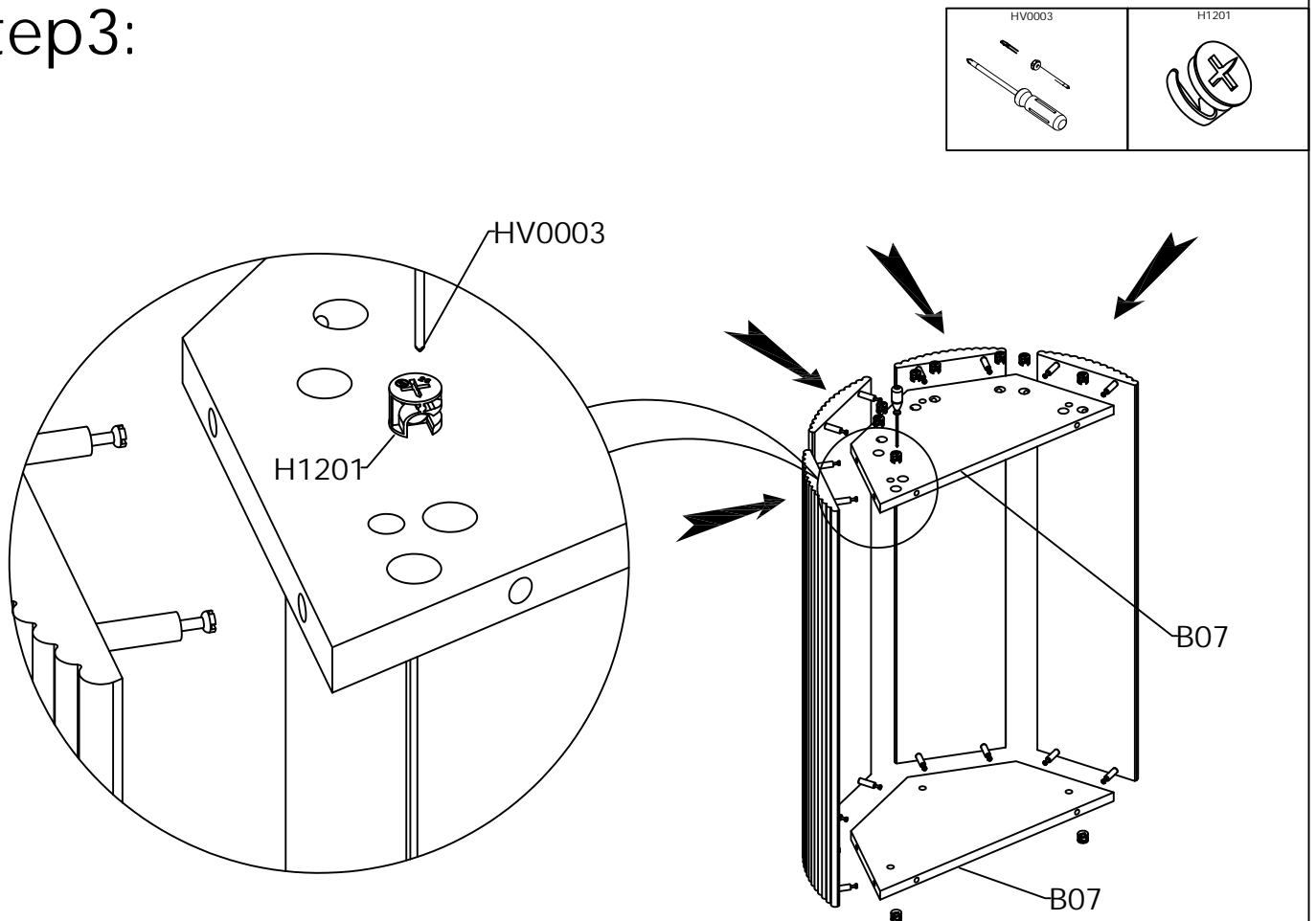
## Step 1:



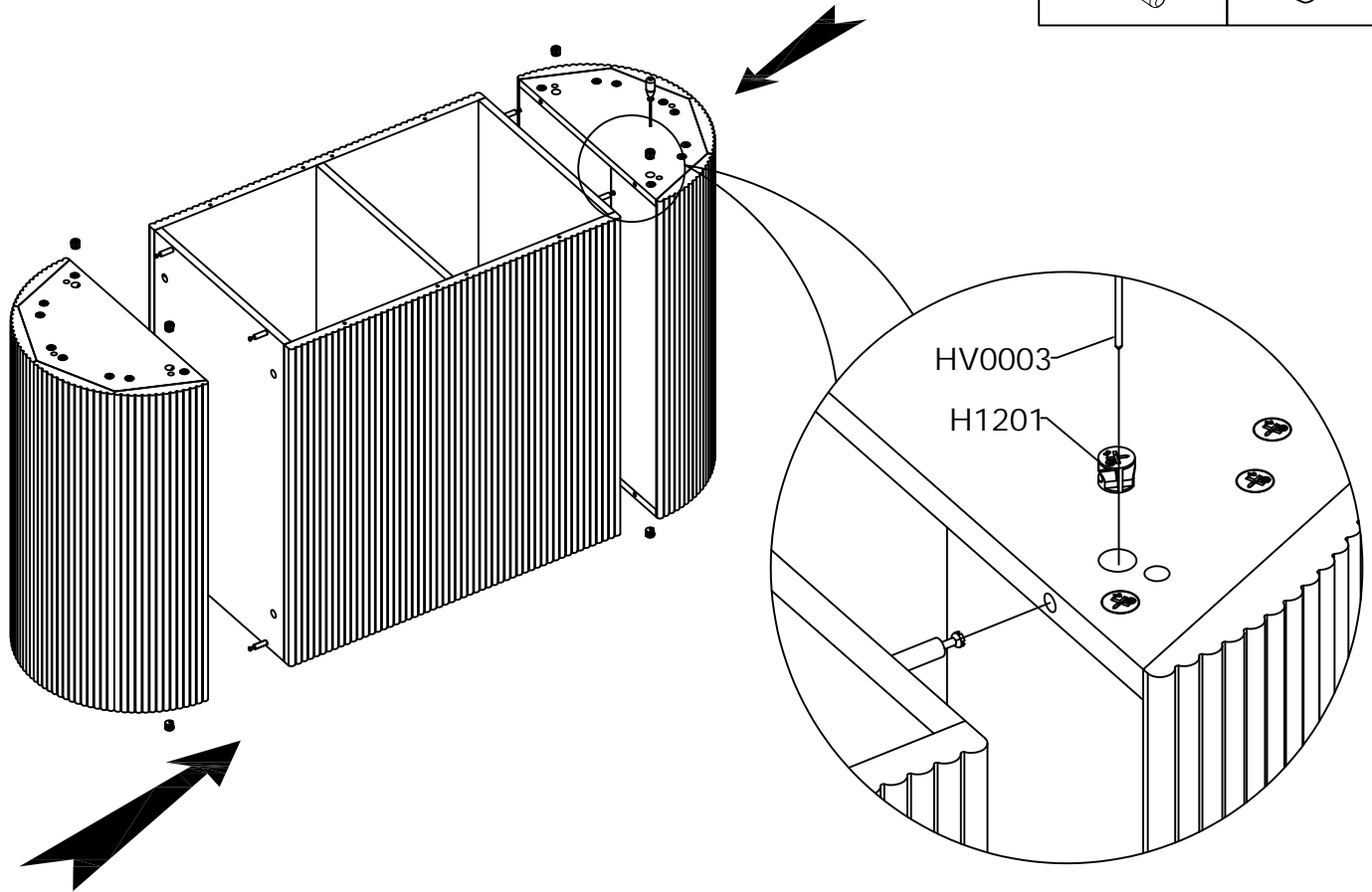
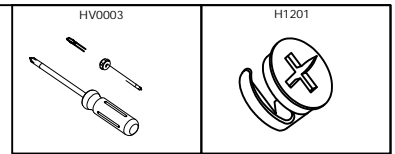
## Step2:



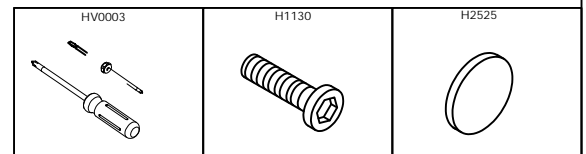
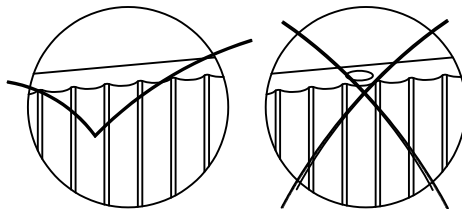
## Step3:



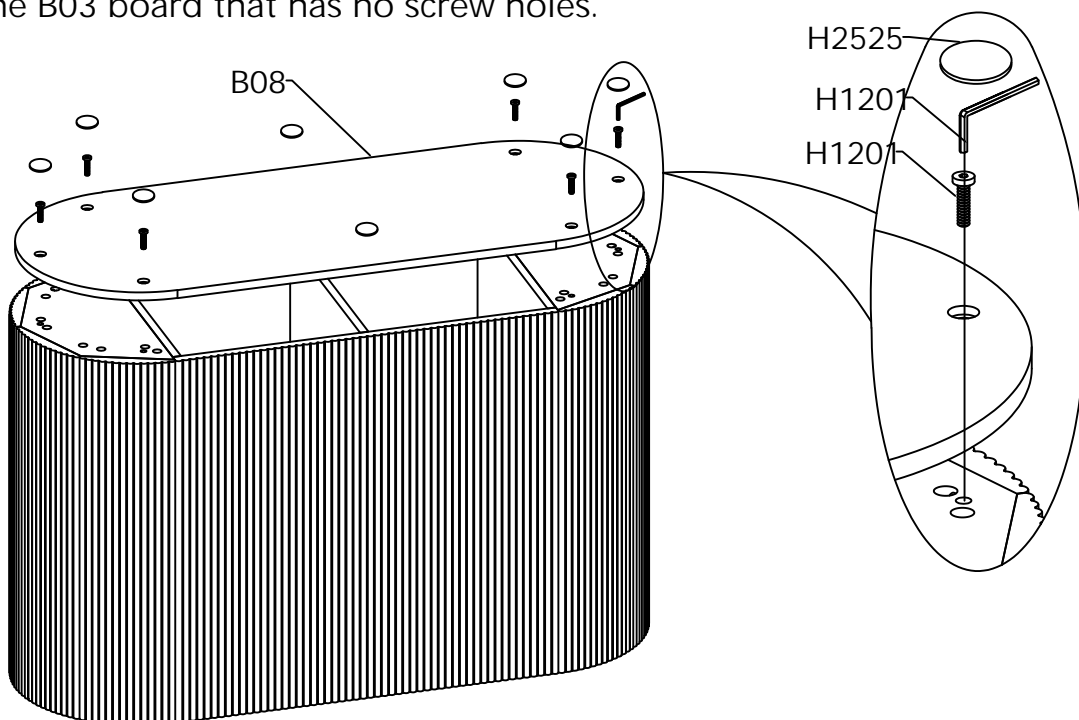
# Step4:



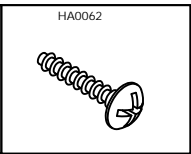
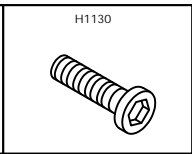
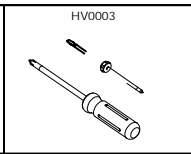
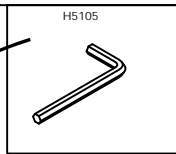
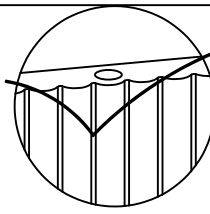
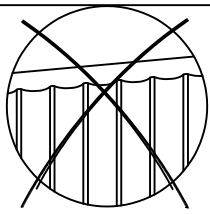
# Step5:



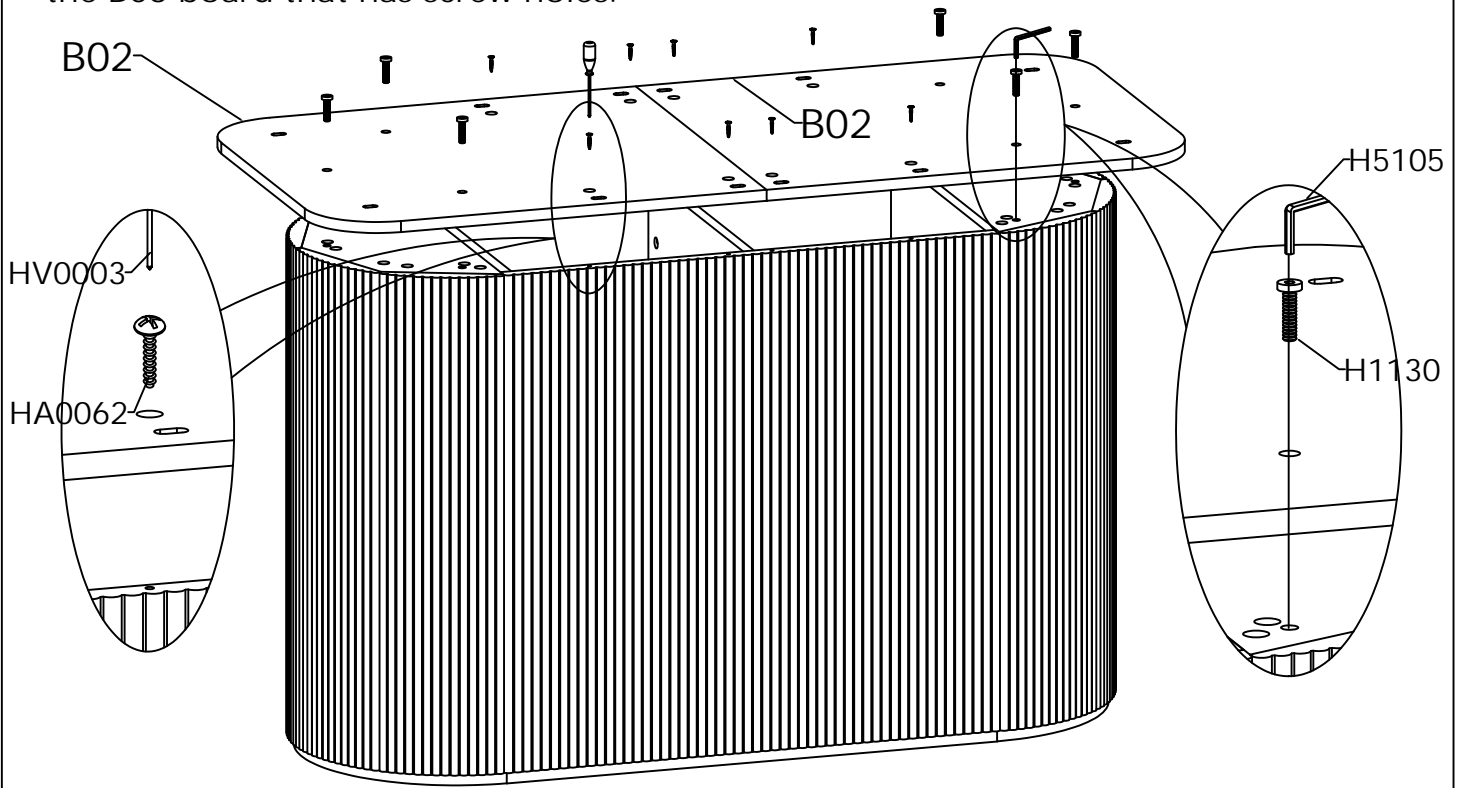
\* B08 board should be assembled on the side of the B03 board that has no screw holes.



# Step6:



\*B02 board should be assembled on the side of the B03 board that has screw holes.



# Step7:

