

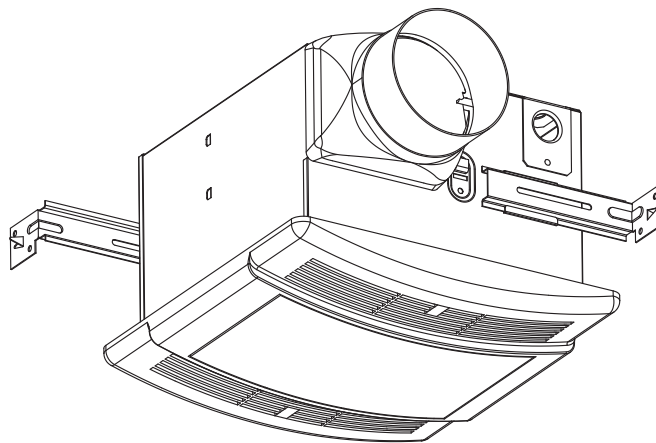
*Nauxus*<sup>®</sup>

## USE AND CARE GUIDE

---

### VENTILATION FAN

**READ AND SAVE THESE INSTRUCTIONS**



Questions, problems, missing parts? Before returning to the store,  
call NAUXUS Customer Service  
8 a.m.-6 p.m., EST, Monday-Friday  
**(832) 941 6306**  
**WWW.NAUXUS.COM**

# Table of Contents

Table of Contents.....	1	Installation.....	5
Safety Information.....	1	Care and Cleaning.....	7
Warranty .....	2	Specifications .....	7
Pre-Installation.....	2	Dimensions (BPT16-14EL-L12).....	7
Planning For Successful Installation.....	2		
Installation Options.....	3		
Tools Required.....	3		
Materials Required.....	4		
Hardware Included.....	4		
Package Contents.....	4		

## Safety Information

**For your safety and to ensure proper performance of the unit, it is very important to read these instructions carefully before installation. Failure to comply with the instructions contained herein could result in personal injury or property damage. We recommend that you keep this booklet for future reference. All units should be installed by a licensed electrician.**

1. Electrical service supply must be 120V 60Hz.
2. Do not install where the air temperature will exceed 40° C (104° F).
3. Do not bend or kink the power wires.
4. Follow all local safety and electrical codes, as well as requirements for NEC (National Electrical Code) and OSHA (Occupational Safety and Health Act).
5. Always disconnect the power supply prior to servicing the fan, motor or junction box.
6. Protect the electrical wires from sharp edges, oil, grease, hot surfaces, chemicals, or other objects.
7. Do not install the unit where ducts where the airflow can be severely restricted.
8. There should always be an adequate air supply to the vented area.
9. This ventilating fan is approved for use over a bathtub or shower when installed in a GFCI(Ground Fault Circuit Interrupter)-protected circuit. The control device should not be installed within reach of the bathtub or shower.
10. Do not use to exhaust hazardous or explosive materials and vapors.
11. Disconnect the appliance from the power supply before servicing.
12. Do not use this fan with any solid-state control device.
13. This unit must be properly grounded.
14. Do not install in a cooking area. (See Fig.A)

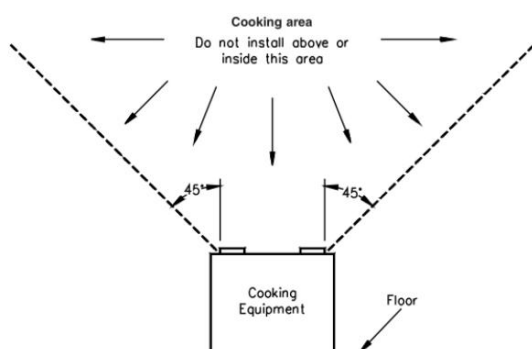


Fig.A

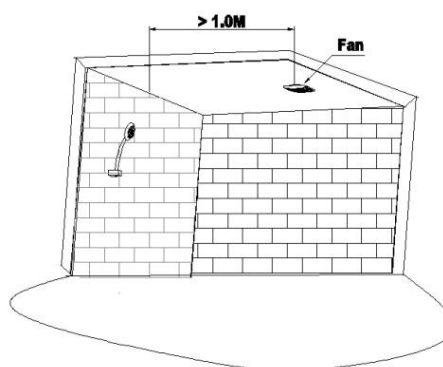


Fig.B

15. To reduce risk of fire and to properly exhaust air, be sure to duct air outside - Do not vent exhaust air into spaces within walls or ceilings or into attics, crawl spaces, or garages.

## Safety Information (Continued)

---

16. The fan is intended to be mounted at least 7 feet (2.1m) above the floor.

### **WARNING- TO REDUCE THE RISK OF FIRE, ELECTRIC SHOCK OR INJURY TO PERSONS, OBSERVE THE FOLLOWING:**

17. Use this unit in the manner intended by the manufacturer. If you have any questions, please call Customer Service.
18. Installation work must be carried out by qualified person(s) in accordance with all local and safety codes, including the rules for fire-rated construction.
19. Sufficient air supply is required for proper combustion and the exhaustion of gasses through the chimney (flue) of fuel burning equipment to prevent back-drafting. See the standards of NFPA (National Fire Protection Association) and ASHRAE (American Society for Heating Refrigeration and Air Conditioning Engineers) and the local building code authorities.
20. Do not install in a ceiling thermally insulated to a value greater than R40.
21. Exercise care not to damage existing wiring and other hidden utilities when cutting or drilling into walls or ceilings.
22. Prior to servicing or cleaning this unit, shut off power supply at the panel and lock to prevent the power from being turned on. If the panel cannot be locked, clearly mark the panel with a warning tag not to turn on the power.
23. If this unit is to be installed over a tub or shower, it must be marked as appropriate for the application. When the fan is going to install in the bathroom, the fan and the tub need to be more than 1.0 meter between each other, the fan required to install at the other side of the tub in ceiling. Acceptable for use over a bathtub or shower when installed in a GFCI protected branch circuit. (See Fig.B)
24. The product is not intended for connection to rigid metal conduit. For flexible conduit use only.
25. Ductwork should be installed in as straight a line as possible, with minimum bends.
26. Ductwork size must be a minimum of the discharge and should not be reduced.

## Warranty

---

If this product fails due to a defect in materials or workmanship at any time during the first three years of ownership, the manufacturer will replace it free of charge, postage-paid at their option. This warranty does not cover products which have been abused, altered, damaged, misused, cut or worn. This warranty does not cover use in commercial applications. The manufacturer DISCLAIMS all other implied or express warranties including all warranties of merchantability and/or fitness for a particular purpose. As some states do not allow exclusions or limitations on an implied warranty, the above exclusions and limitations may not apply. This warranty gives you specific legal rights, and you may have other rights that vary from state to state.

This warranty is limited to the replacement of defective parts only. Labor charges and/or damage incurred during installation, repair, replacement as well as incidental and consequential damages connected with the above are excluded. Any damage to this product as a result of neglect, misuse, accident, improper installation or use other than the purpose SHALL VOID THIS WARRANTY.

## Pre-Installation

---

### **PLANNING FOR SUCCESSFUL INSTALLATION**

When installing the ventilation fan in a new construction site, install the main body of the fan and duct work during the rough-in construction of the building. The grill should be installed after the finished ceiling is in place.

When installing in existing construction, use the dimensions on page 8 to determine the required hole

## Pre-Installation (continued)

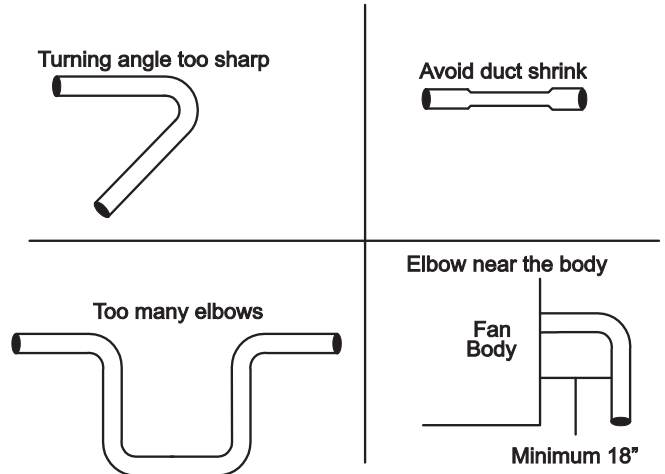
size for the ceiling. The grill edges should overlap the finished ceiling.

The unit will operate most quietly and efficiently when located where the shortest possible duct run and minimum number of elbows will be needed.

Recommended ductwork lengths should be 2-3 foot straight run before elbow.

Do not install the ventilation fan in areas where the duct work will require configurations as shown in the following figure:

Short piece of flexible duct helps alignment and absorbs sound.

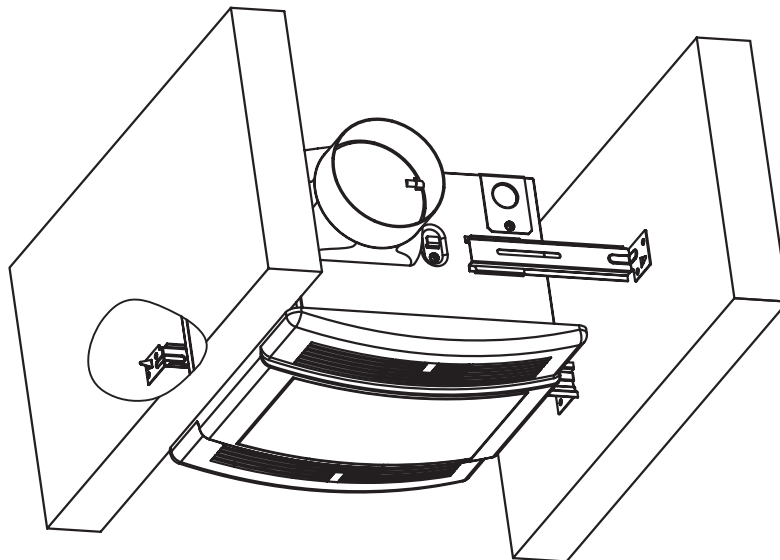


**NOTE:** If installing in existing construction, you must have access to space above and below the installation location.

## INSTALLATION OPTIONS

We recommend installing the ventilation fan by securing the main body of the fan against one ceiling joist and using the header bars as necessary for support of the adjoining joist.

There are multiple installation configurations possible for this ventilation fan. Not all configurations are shown. If your installation requires a variation other than those shown, consult with a licensed contractor to determine the best installation for your project. If you are replacing an existing fan, ensure that the new grill will adequately cover the existing opening.



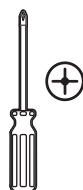
## TOOLS REQUIRED



Hammer



Safety goggles



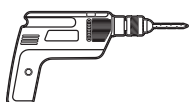
Phillips screwdriver



Level



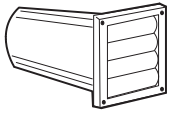
Electrical tape



Drill

# Pre-Installation (continued)

## MATERIALS REQUIRED



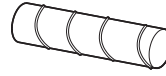
Duct vent



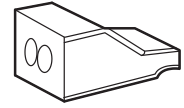
Duct clamp



Duct tape



Duct piping

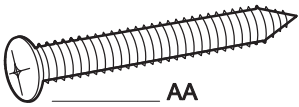


Wire nuts

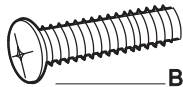
## HARDWARE INCLUDED



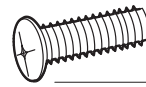
NOTE: Hardware shown to actual size.



AA



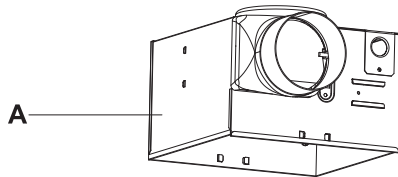
BB



CC

Part	Description	Quantity	Specification
AA	Long wood screw	8	M4 × 30
BB	Short screw	2	M4 × 12
CC	Short screw	1	M4 × 10

## PACKAGE CONTENTS



A



B



C



D

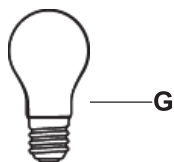


E



F

Part	Description
A	Fan body
B	Grill
C	Grill lens
D	Suspension bracket I
E	Suspension bracket II
F	Suspension bracket III
G	12W E26 LED bulb

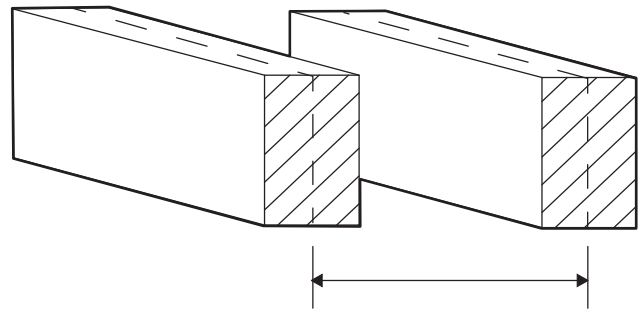


G

# Installation

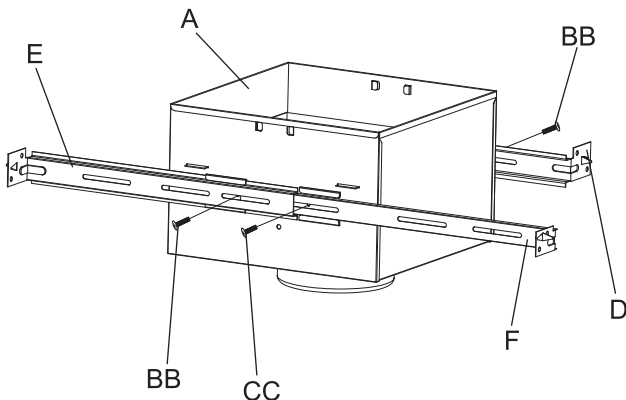
## 1 Determining joist width

- Measure the distance from the center of the two ceiling joists where you will be installing the ventilation fan.



## 2 Suspension bracket installation

- For ceiling joist installations between 20 in. and 24 in., insert suspension brackets I (D), II (E), and III (F). Proceed to step 3.
- Use screw(CC) to secure the suspension bracket (F) to the fan body.
- Use screws (BB) to secure the suspension bracket (D and E) to the fan body.



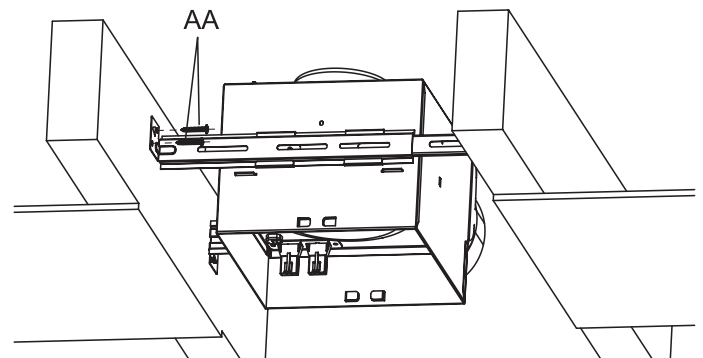
**NOTE:** Sliding hanger bars are provided to allow for accurate positioning of the main body between joists.

## 3 20 – 24 in. joist installation

- Use long wood screws (AA) to loosely attach the main body of the fan to one ceiling joist.
- Extend the hanger bars to the opposite ceiling joist.
- Secure the suspension brackets (D, E, and F) to the joist using long wood screws (AA).
- Ensure the main body is level and square to the joists.
- Tighten all screws.

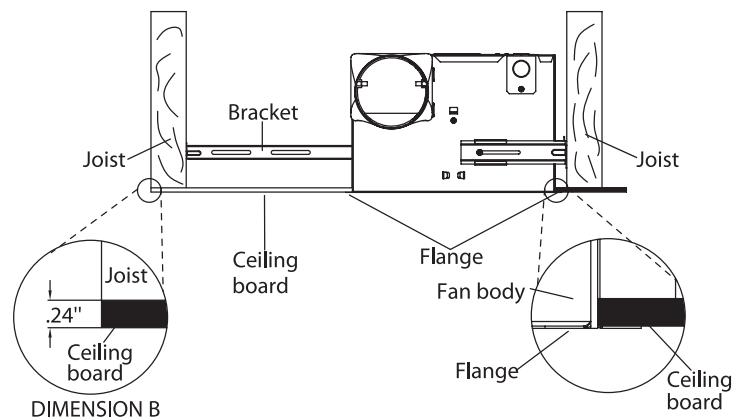


**CAUTION:** Do not mount the fan flush against the joist. The flange should be flush with the ceiling board.



## 4 Flush flange with ceiling board

- Dimension "B" should allow for the thickness of the ceiling board used in your application. Do not flush mount to the joist. The flange should be flush with the ceiling board.



DIMENSION B

## 5 Connecting wiring from the unit to the house



**WARNING:** Make sure that the main power is off.

# Installation (continued)

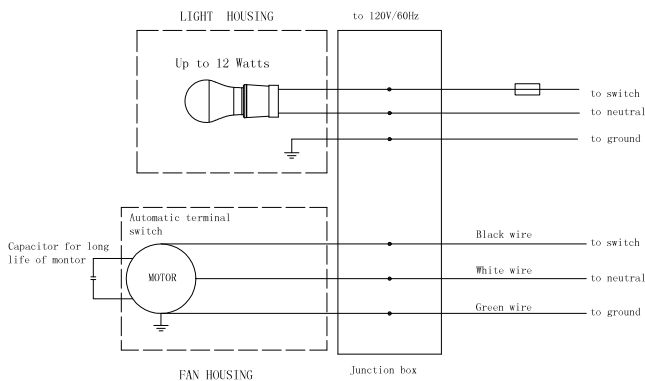


**WARNING:** Failure to wire this product correctly could result in electrical shock, fire hazards, or damage to the product. Consult a licensed electrician if you are unsure of your ability to correctly install wiring.



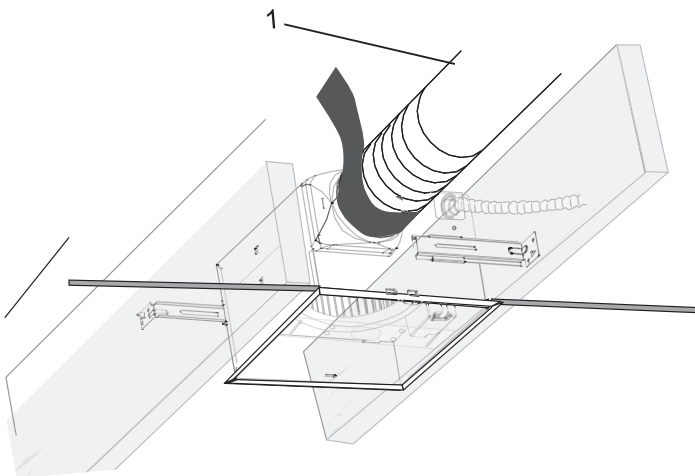
**CAUTION:** If your house wires do not match these colors, determine what each house wire represents before connecting. You may need to consult a licensed electrician to determine this safely.

- Connect house wires to ventilation fan wires.
- Match colors as shown (black to black, white to white, and green to green) using wire nuts (not provided).
- Replace the junction box cover. Do not pinch the lead wires.



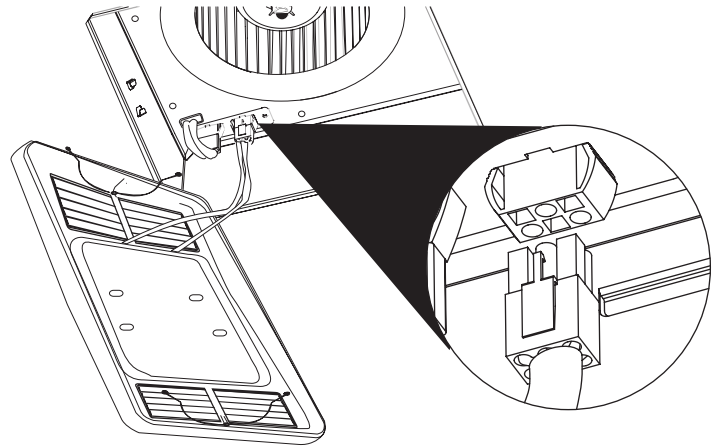
## 6 Connecting the duct

- Install a circular duct (1) to the outlet and tape all ductwork connections to make them secure and airtight.
- Install the duct with a gradient of  $1^\circ \sim 2^\circ$  to the outside.



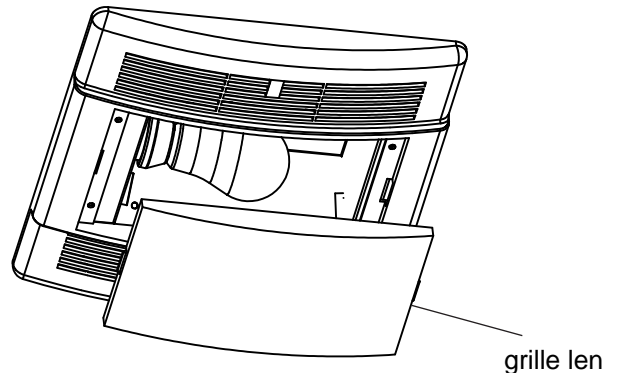
## 7 Connecting the grill

- Plug the connector into the receptacle.



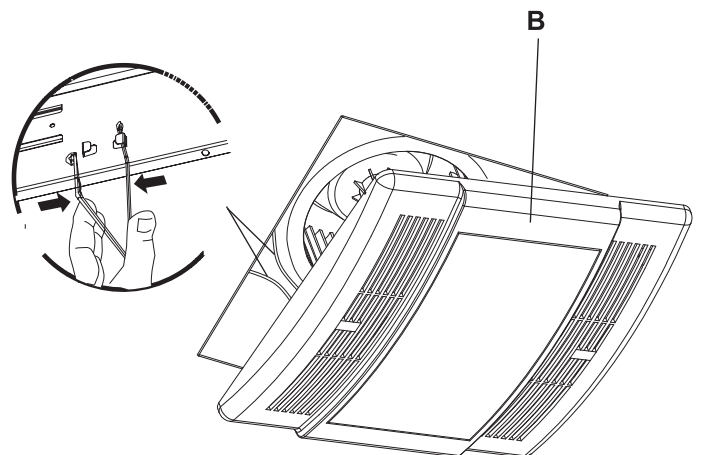
## 8 Installing the bulbs

- Install the 12 W E26 LED bulb into their respective sockets.
- Attach the grille len.



## 9 Mounting the grill

- Use the spring clips to pinch mount and insert the grill (B) into the narrow rectangular slots inside of the fan housing next to the fan motor.



## Care and Cleaning

- Before servicing or cleaning the unit, disconnect the power supply at the panel and lock to prevent the power from being turned on. If the panel cannot be locked, clearly mark the panel with a warning tag to prevent the power from being turned on.
- Remove the grill by squeezing the springs and pulling the grill down.
- Wash and clean the grill in a sink and dry with a cloth.
- Remove dust and dirt from the fan housing with a vacuum cleaner.
- Dampen the cloth with dish detergent, wipe the fan housing and dry with a cloth.
- Replace the grill.
- To reduce the risk of fire, always vent fans to the exterior and in compliance with local codes. Do not vent exhaust air into spaces within walls, ceilings, attics, crawl spaces, or garages.
- Unplug or disconnect the appliance from the power supply before servicing.



**CAUTION:** Do not use solvents, thinner or harsh chemicals for cleaning the fan.



**CAUTION:** Do not allow water to enter the motor.



**CAUTION:** Do not immerse resin parts in water over 140°F (60°C).

## Specifications

Model No.	BPT16-14EL-L12
Air direction	90 cfm
Voltage	120 V
Hertz	60 HZ
Duct diameter	4 in. (10.2 cm)
Noise	1.5 Sone
Power consumption (Watts)	31W
Speed	888 rpm
Air deliver at 0.1" WG	90 cfm
Weight	7.34lbs. (3.33 kg)

## DIMENSIONS

Ceiling opening - length	9.6 in. (24.5 cm)
Ceiling opening - width	9.6 in. (24.5 cm)
Ceiling opening - depth	7.7 in. (19.5 cm)
Housing dimension - length	9.4 in. (24 cm)
Housing dimension - width	9.4 in. (24 cm)
Housing dimension - depth	7.3 in. (18.5 cm)