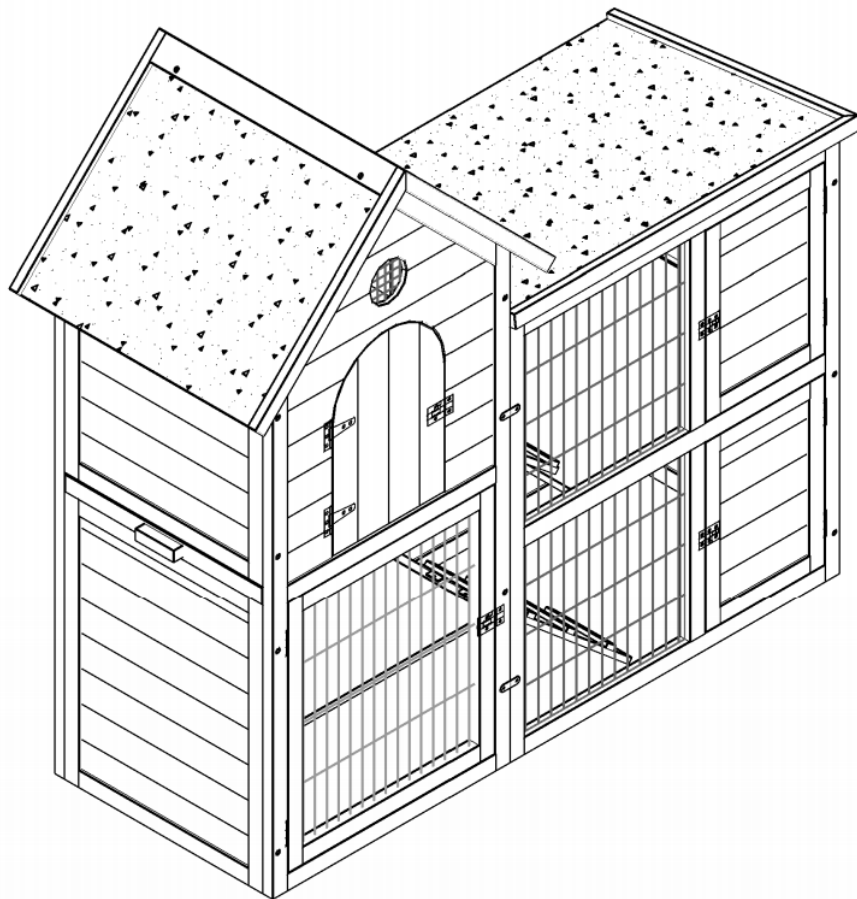
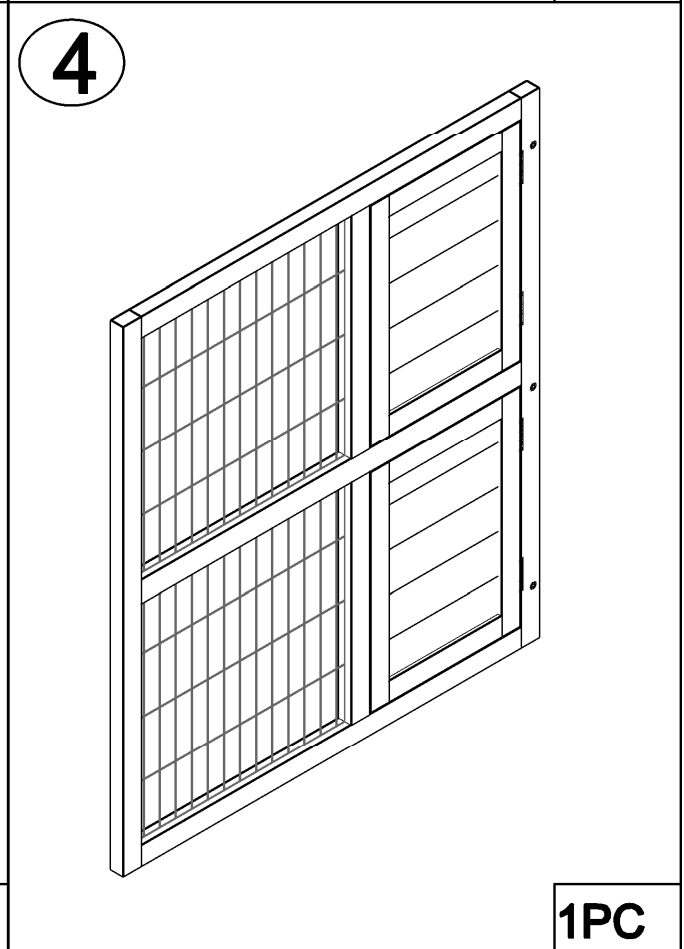
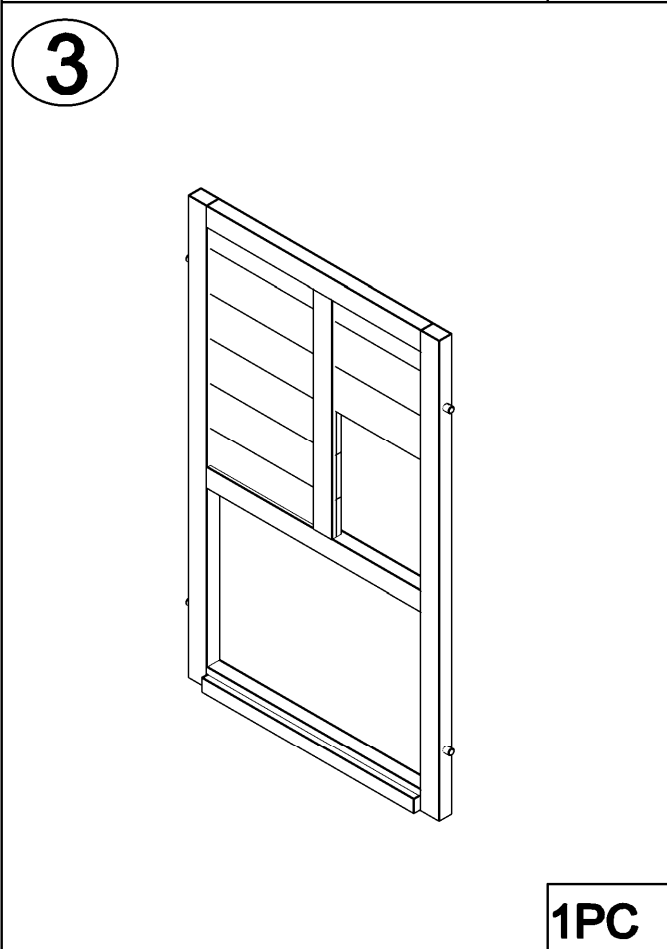
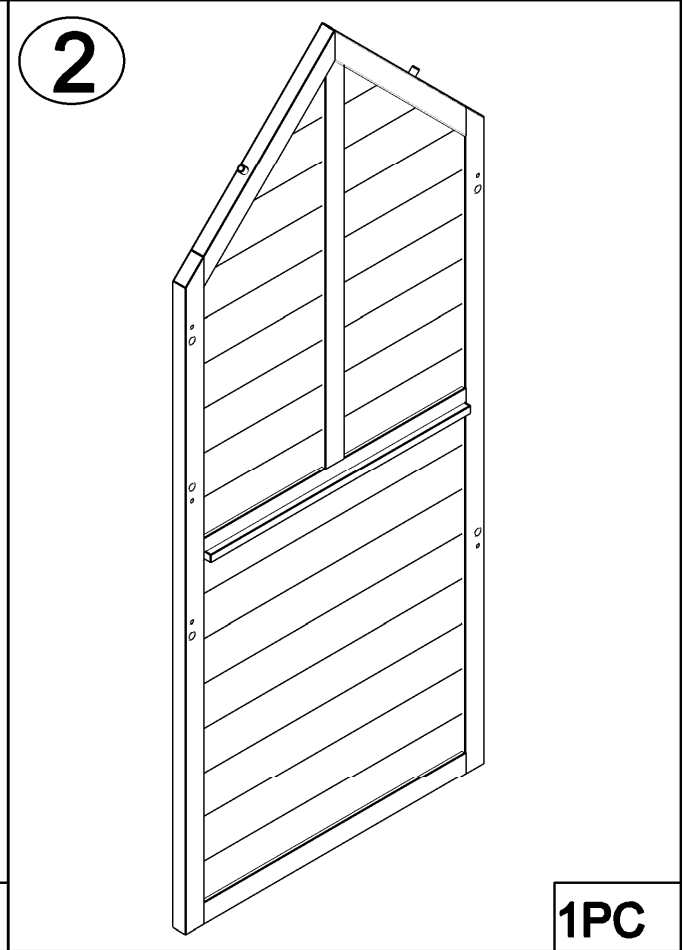
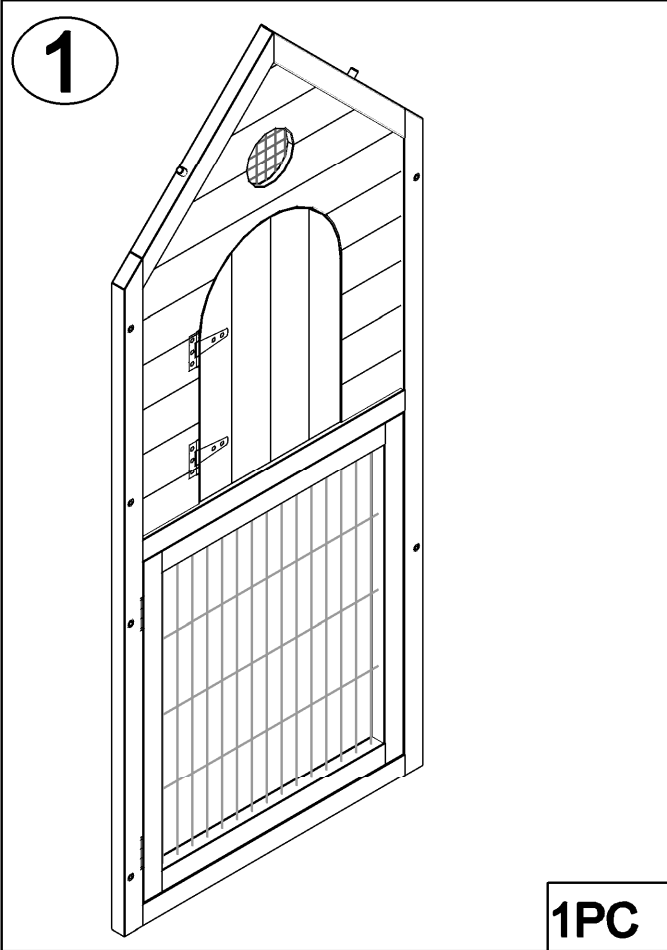


GA3013

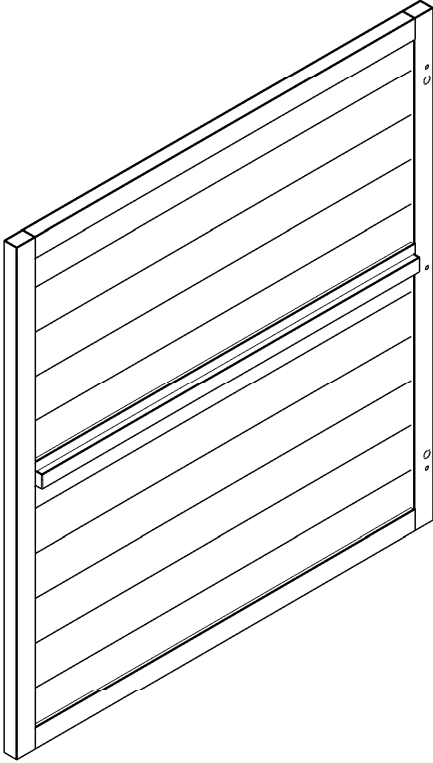


COMPONENTS



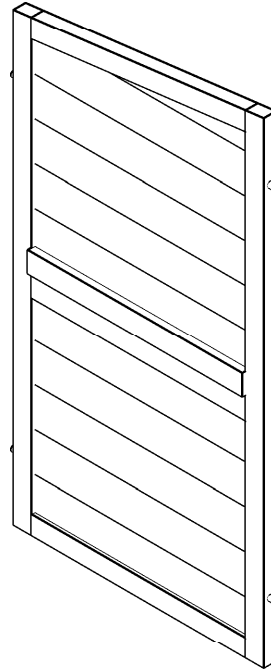
COMPONENTS

5



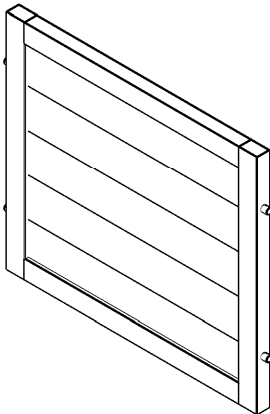
1PC

6



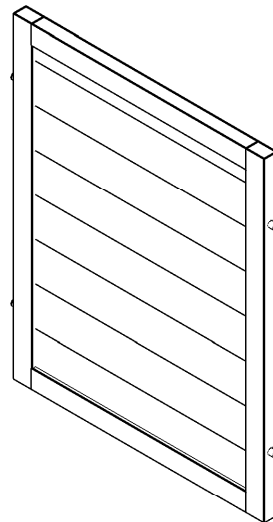
1PC

7



1PC

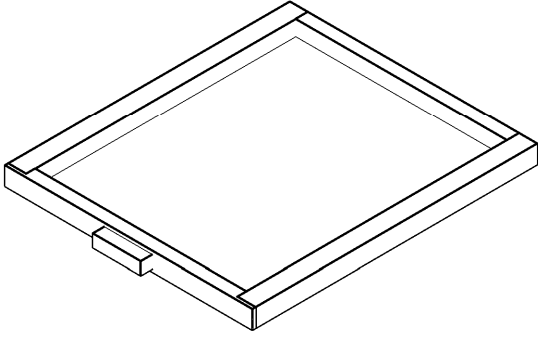
8



1PC

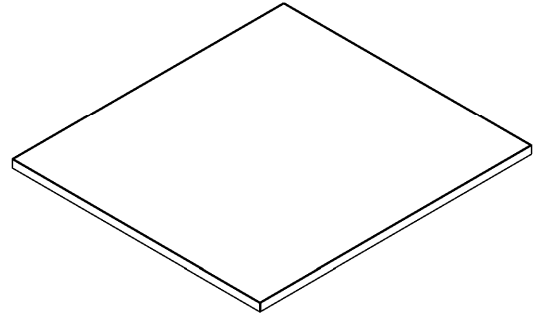
COMPONENTS

9



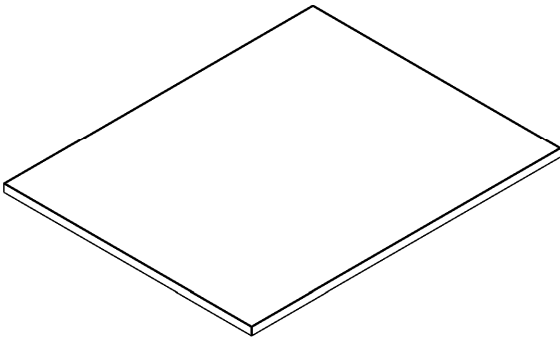
1PC

10



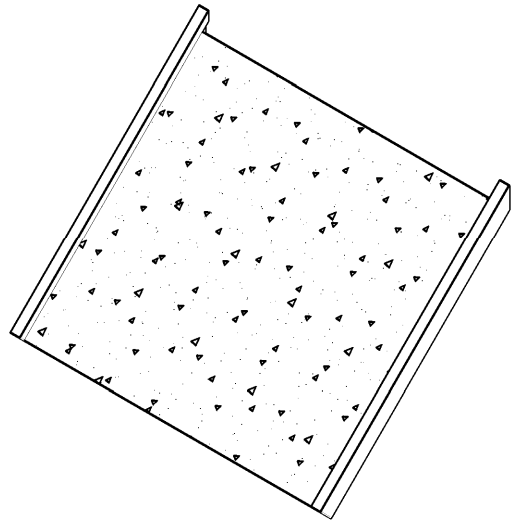
1PC

11



1PC

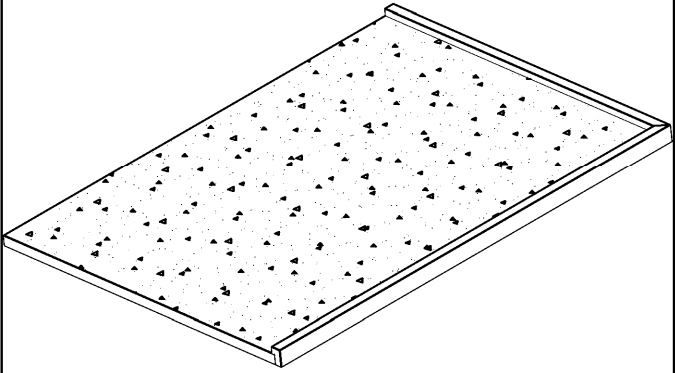
12



2PCS

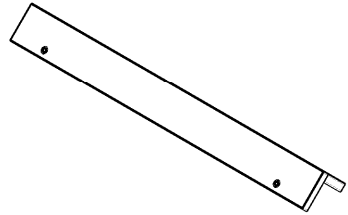
COMPONENTS

13



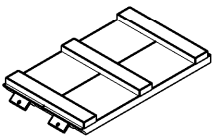
1PC

14



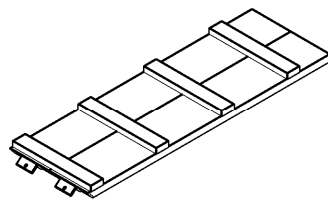
1PC

15



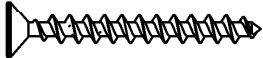
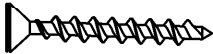
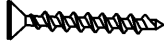

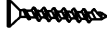
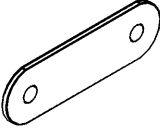
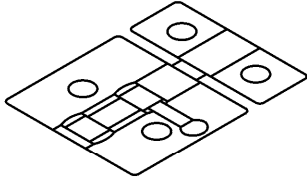

2PCS

16



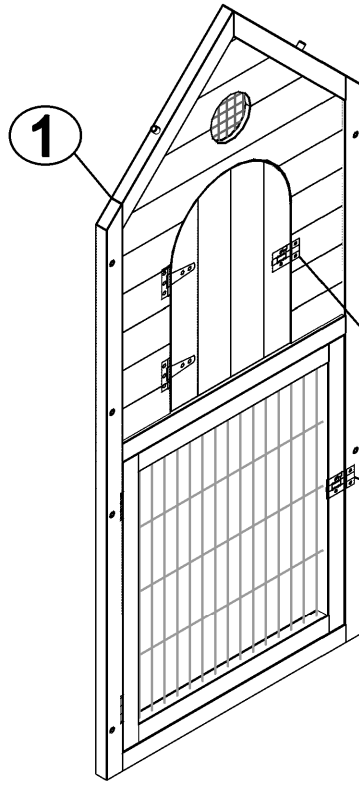
1PC

COMPONENTS

<p>A</p>  <p>M3. 5*40mm 18+1PCS</p>	<p>B</p>  <p>M3. 5*35mm 12+1PCS</p>
<p>C</p>  <p>M3. 5*25mm 4+1PCS</p>	<p>D</p>  <p>M3. 0*16mm 8+1PCS</p>
<p>E</p>  <p>M3. 0*12mm 6+1PCS</p>	<p>F</p>  <p>4PCS</p>
<p>G</p>  <p>1. 2Inch 4PCS</p>	<p>H</p>  <p>M3. 0*14mm Round head 16+1PCS</p>

Assembly Steps

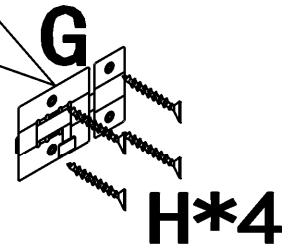
1



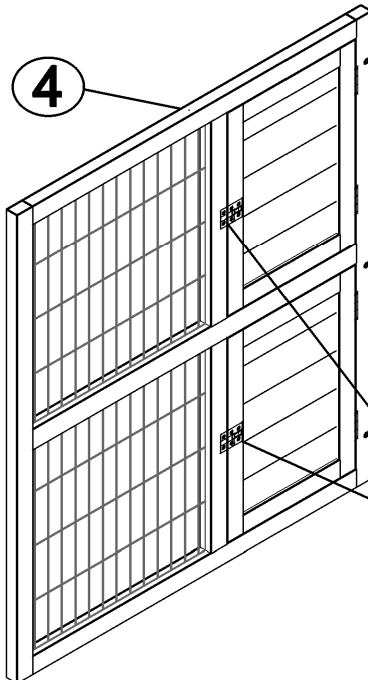
G 2PCS



H 8PCS



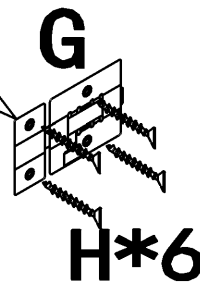
2



G 2PCS

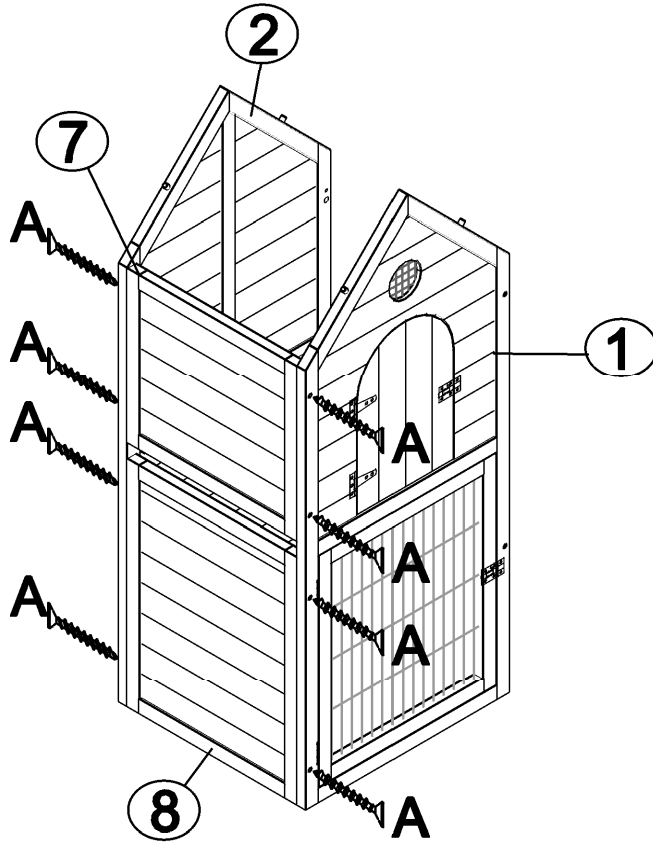



H 8PCS



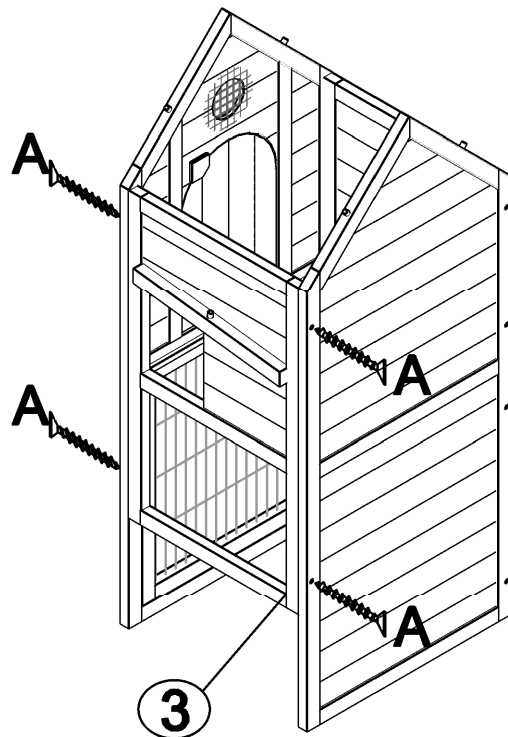
Assembly Steps


3




A 8PCS

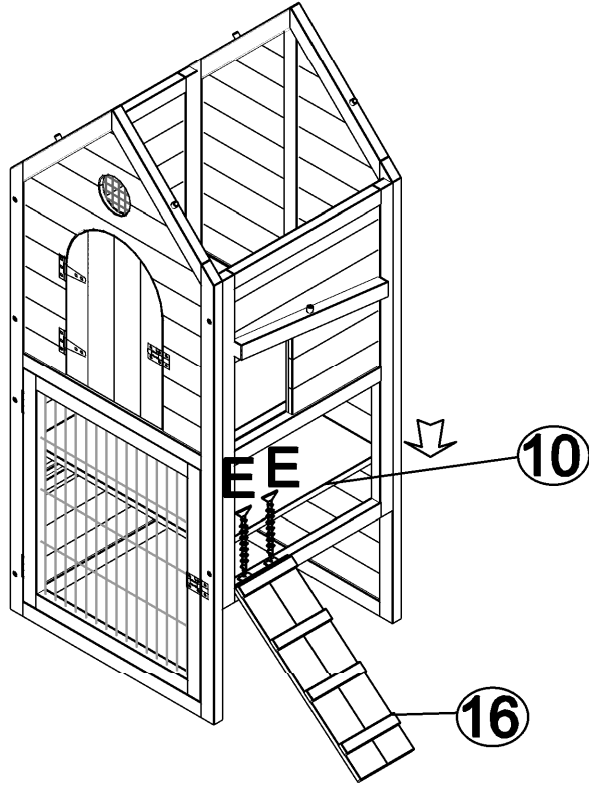
4





A 4PCS

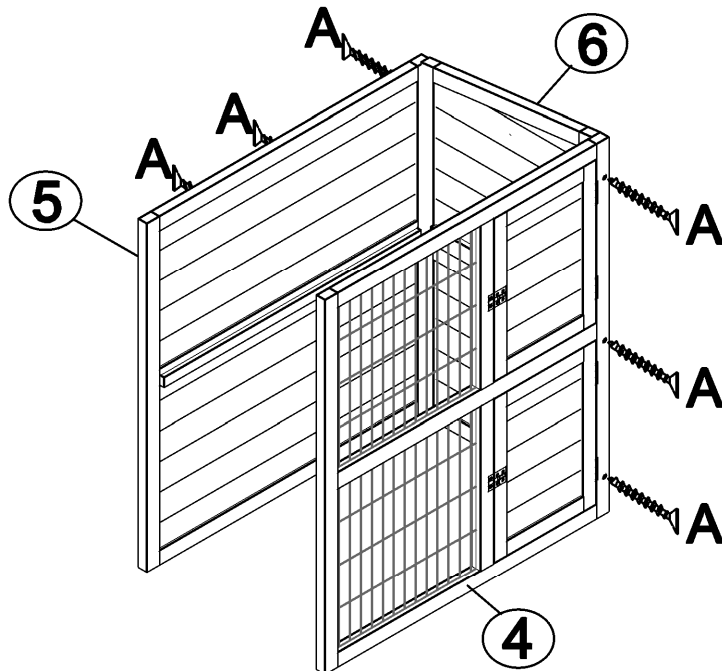
Assembly Steps


5




E 2PCS

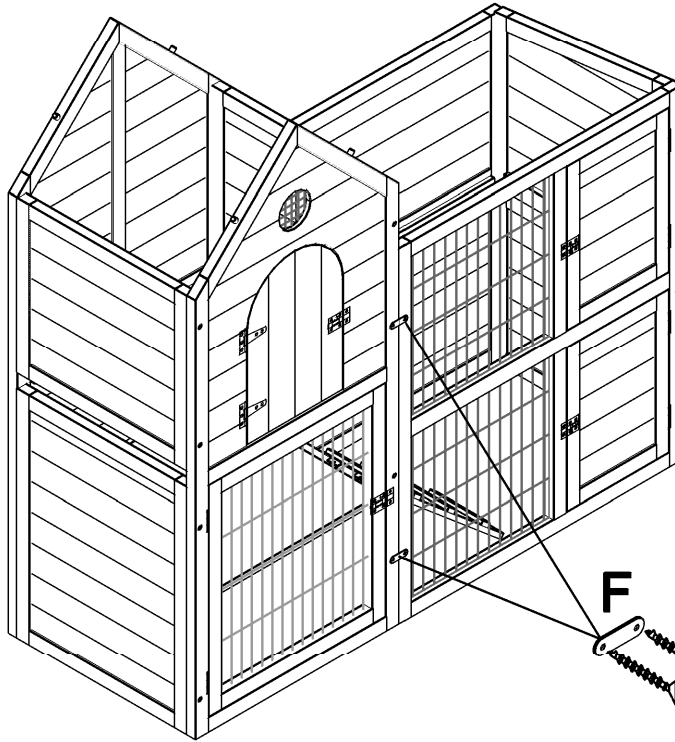
6




A 6PCS

Assembly Steps

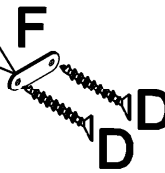
7



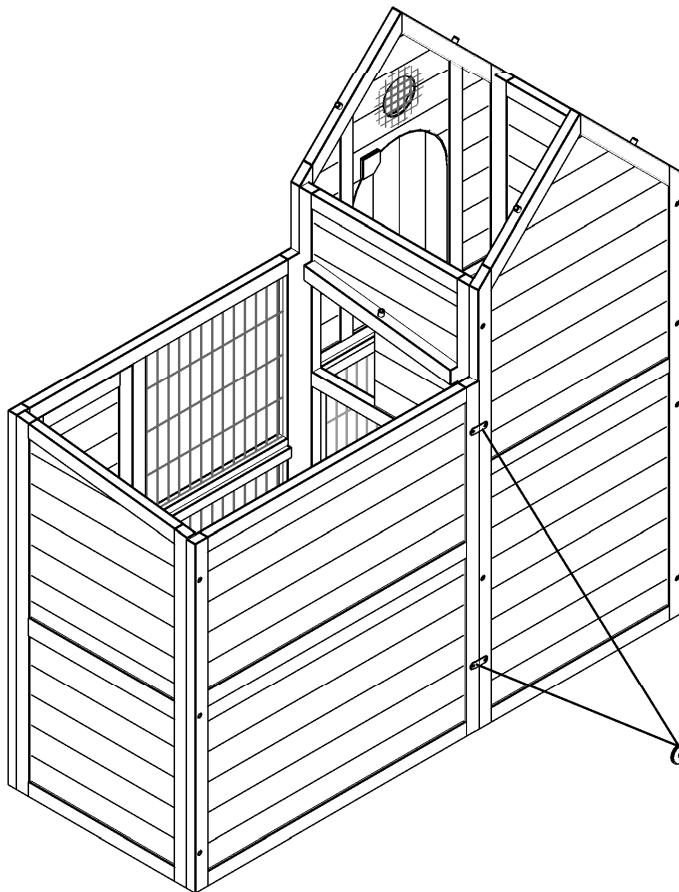
D 4PCS



F 2PCS



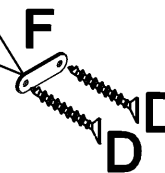
8



D 4PCS

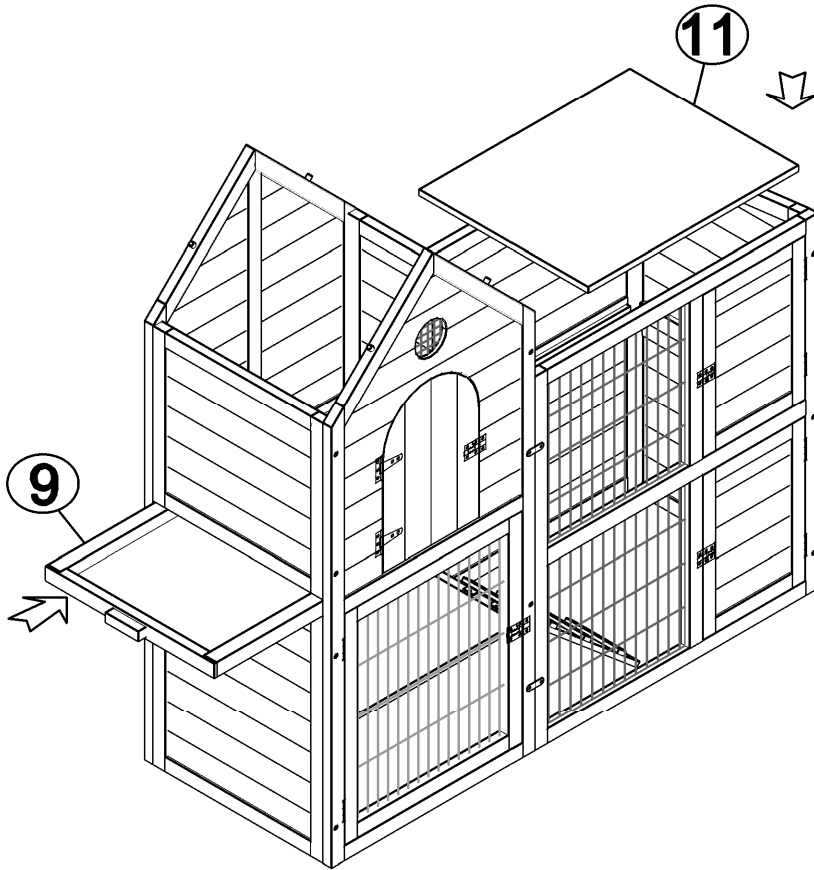


F 2PCS

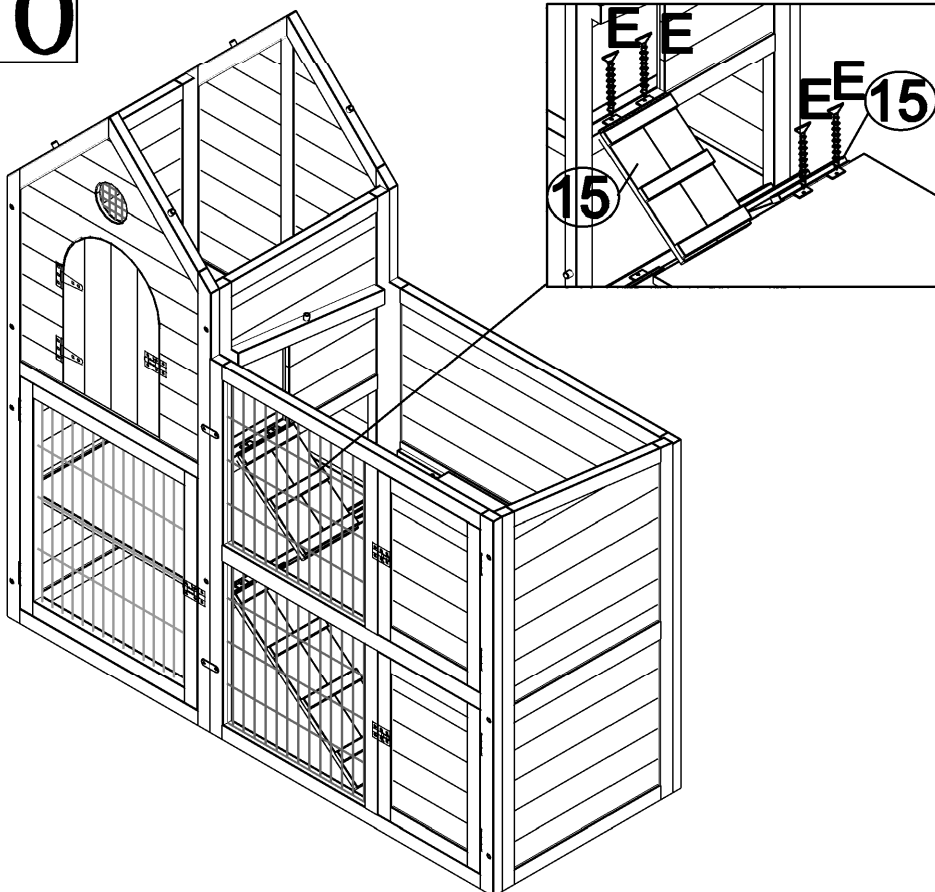


Assembly Steps

9



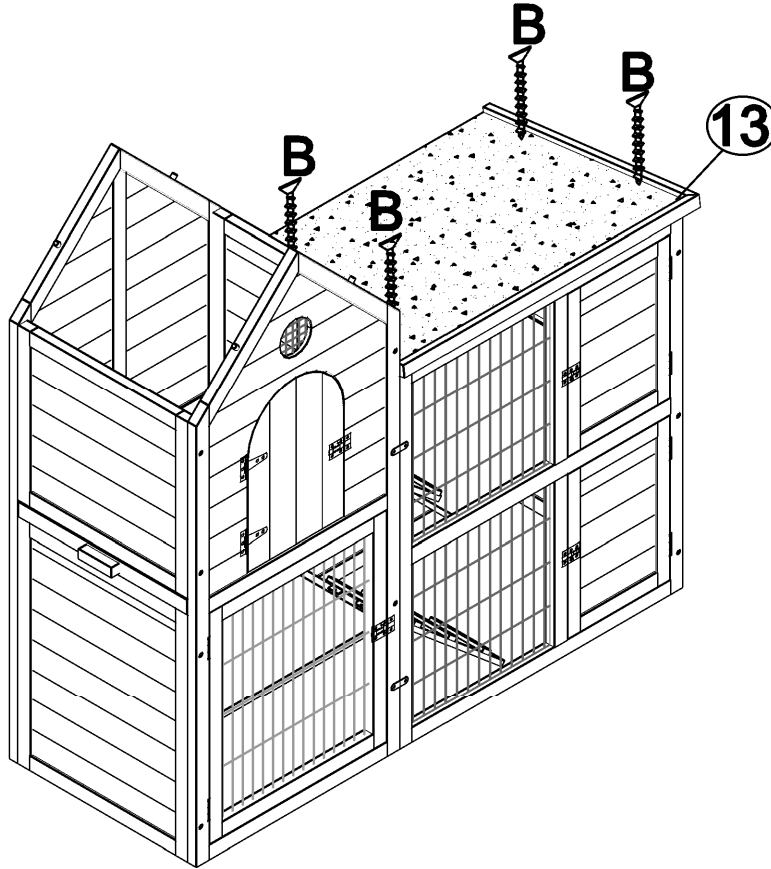
10



E 4PCS

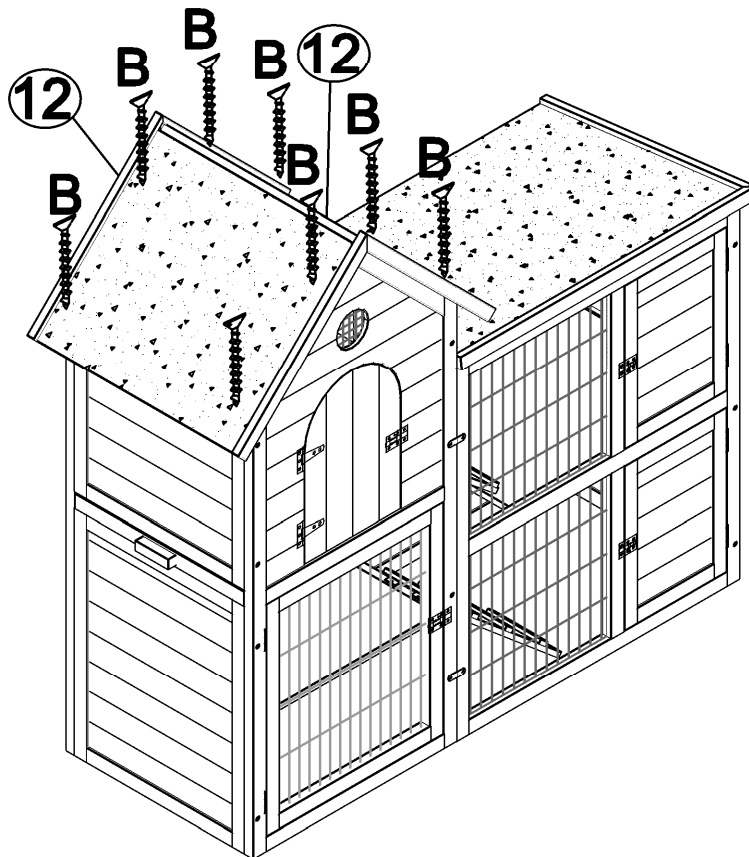
Assembly Steps

11



B 4PCS

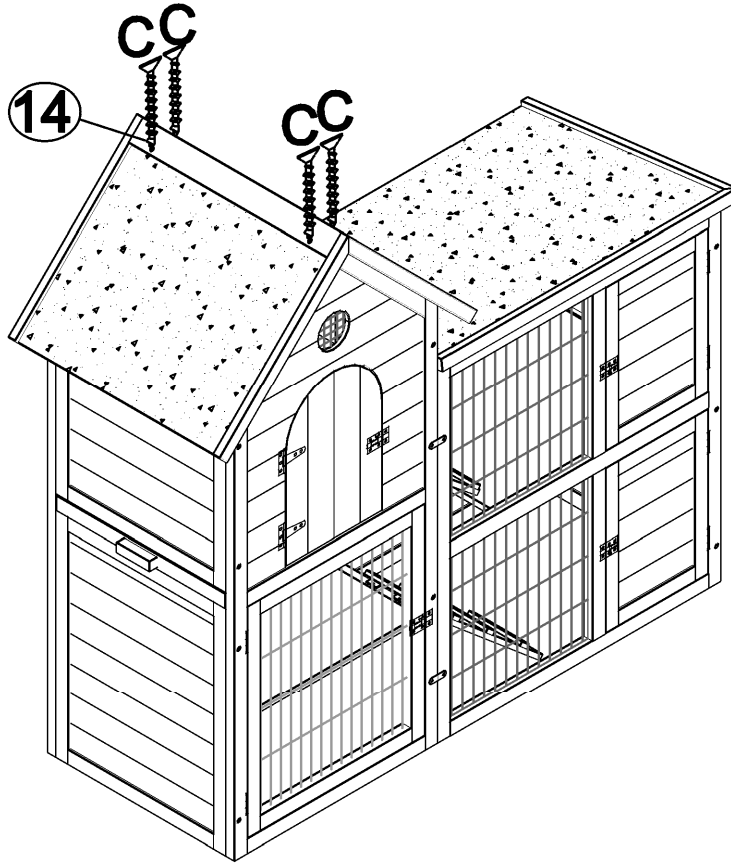
12



B 8PCS

Assembly Steps

13



C 4PCS



CONGRATULATIONS
YOU ARE DONE!