

NOTE:

This brochure contains IMPORTANT safety info. Please read and keep for future reference.

MAINTAINANCE AND WARNING

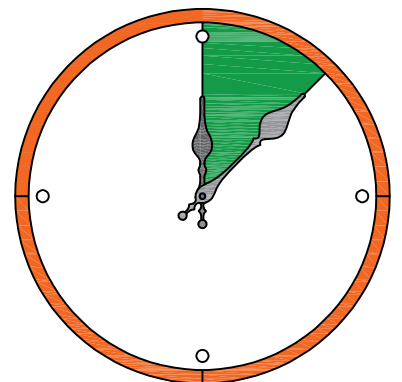
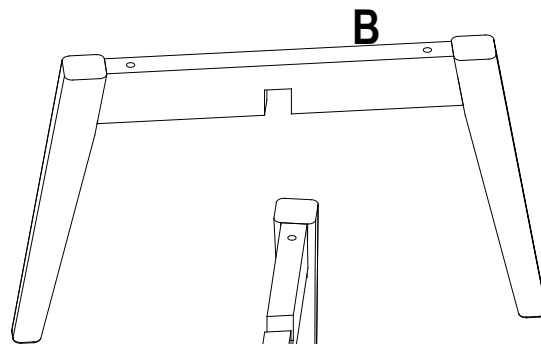
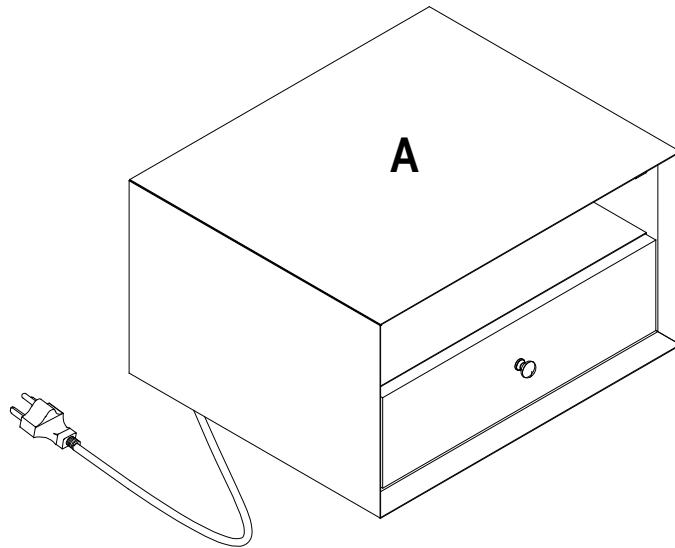
- 1.Keep furniture away from heat sources.
- 2.Do not clean furniture with harsh cleaner or polishes.Do not use detergents,solvents,abrasives,spray packs or leather cleaner. Use non-color mild soa with warm water to clean spills(Mix 1:10 soap to water).
- 3.Do not place furniture under direct sunlight,material will possibly fade over time.
- 4.Do not use on site dry cleaning machine.Children should not climb or jump on the furniture.
- 5.Do not write on furniture that is not protectedby a padded barrier.
- 6.Not for commercial use,only for residential use.



Weight Limitation

80 LBS

EXPLOSIVE VIEW

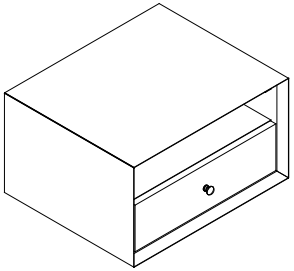
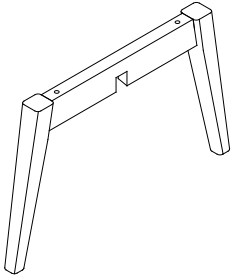
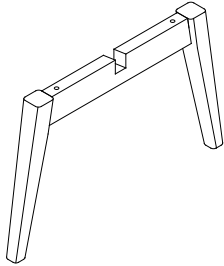


Around 15 min

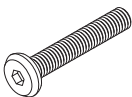
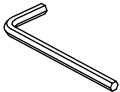


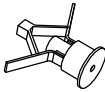




OVERVIEW

PARTS LIST

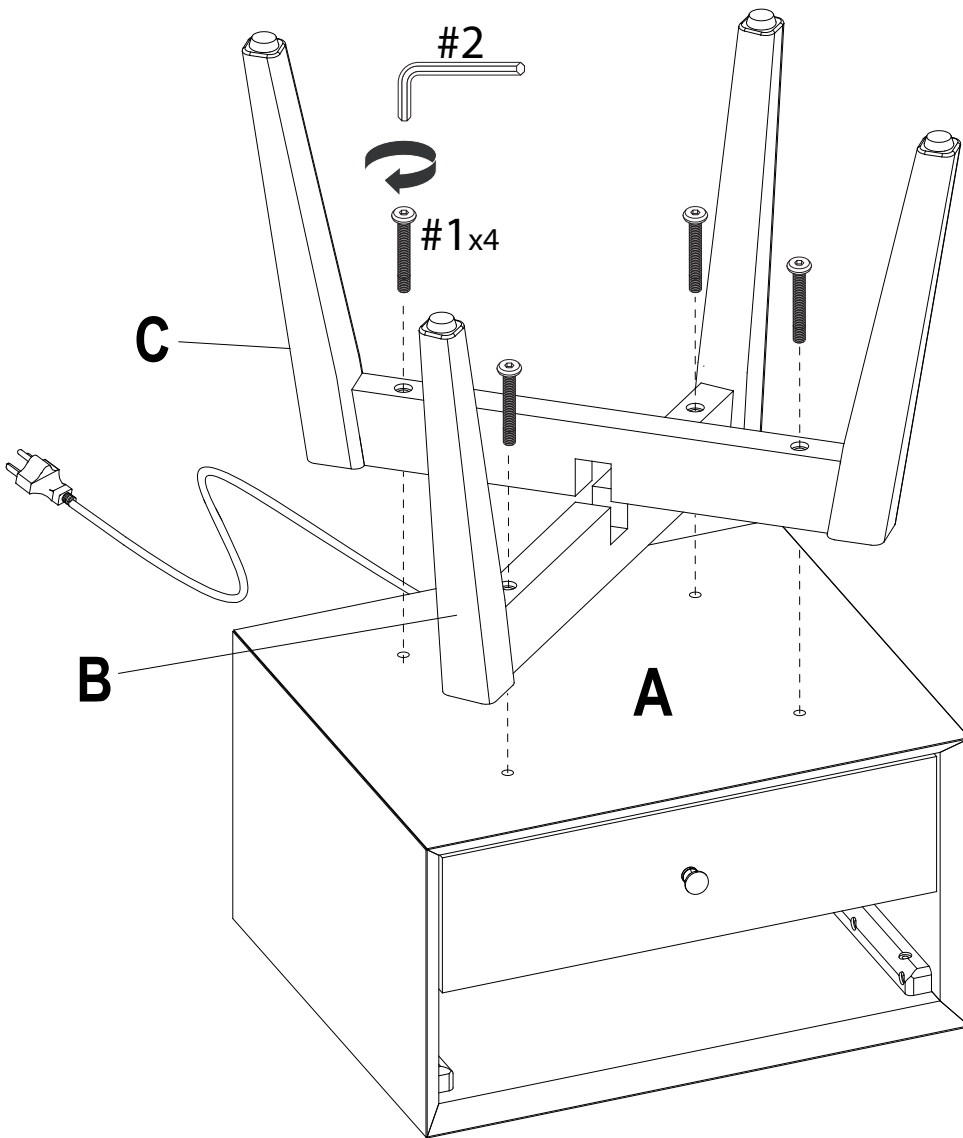
A	x1	B	x1	C	x1
					

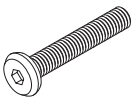
HARDWARE LIST

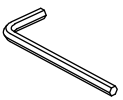
#1	x4	#2	x1	#3	x2	#4	x1	#5	x1	#6	x1
											
5/16"*75mm		M4				Ø4*20MM					
#7	x4										
											
Ø4*40MM											

ASSEMBLY INSTRUCTIONS

STEP-1

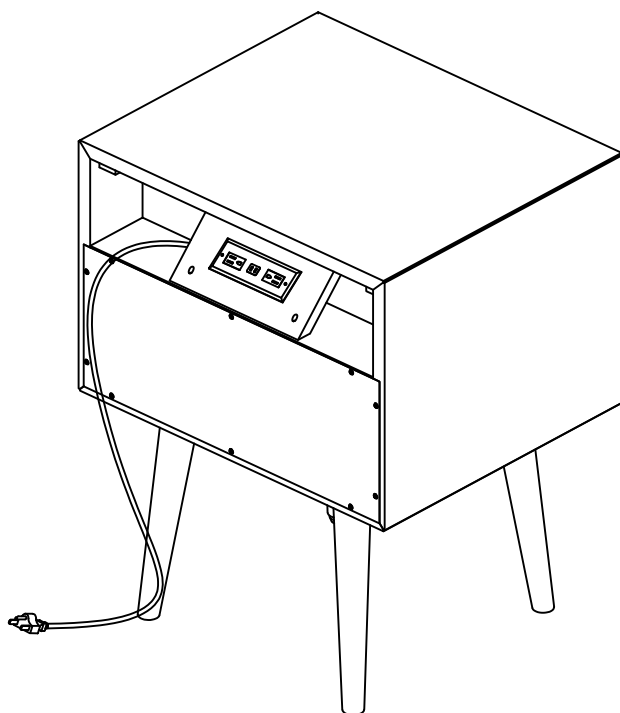
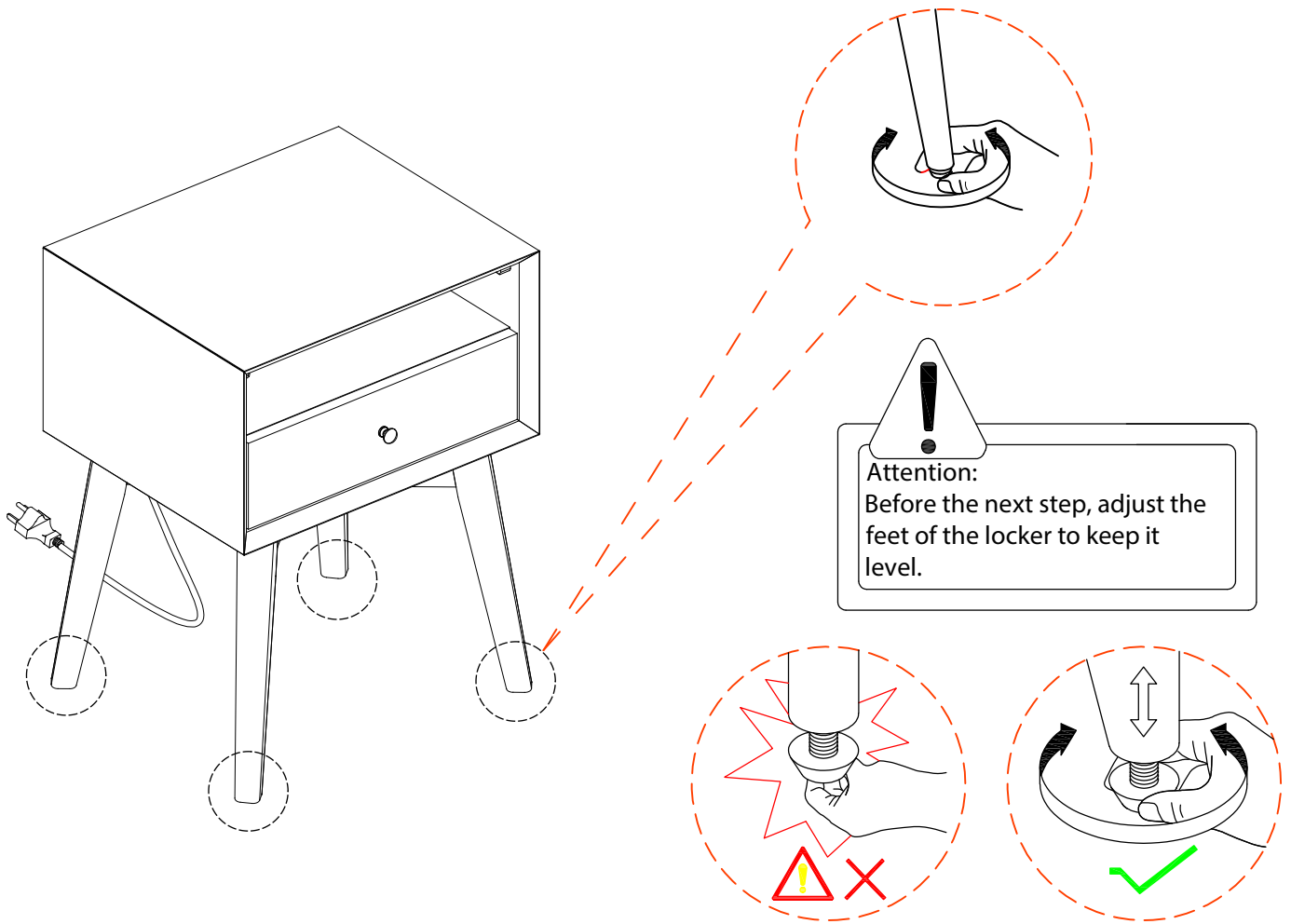


#1	x4
	
5/16"*75mm	

#2	x1
	
M4	

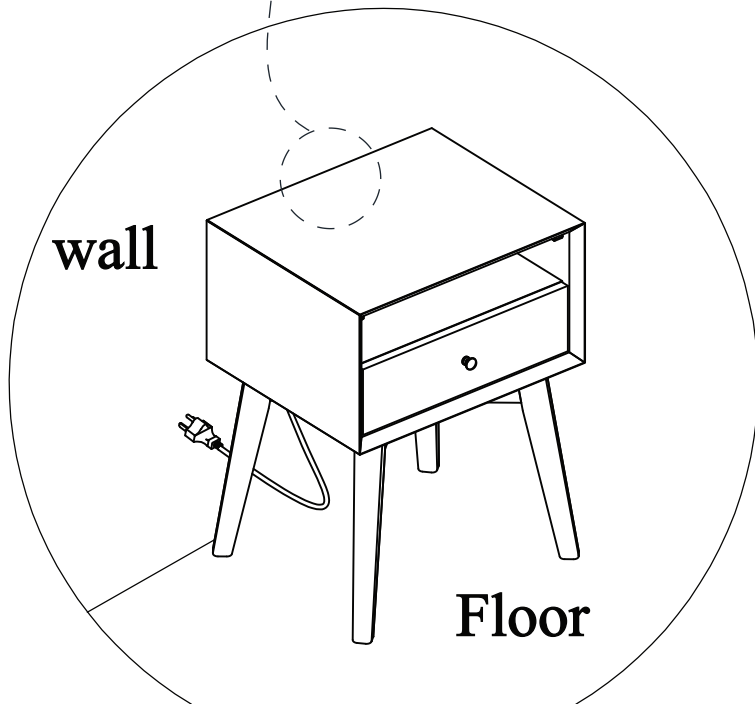
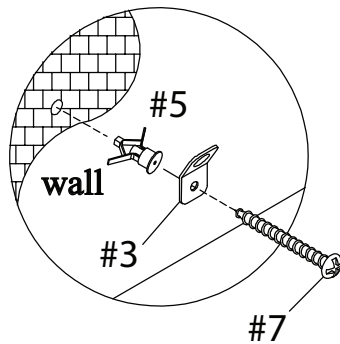
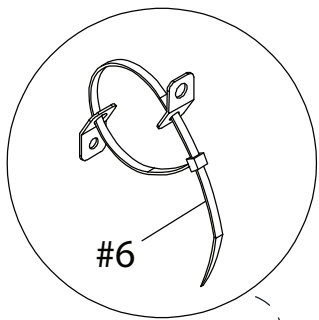
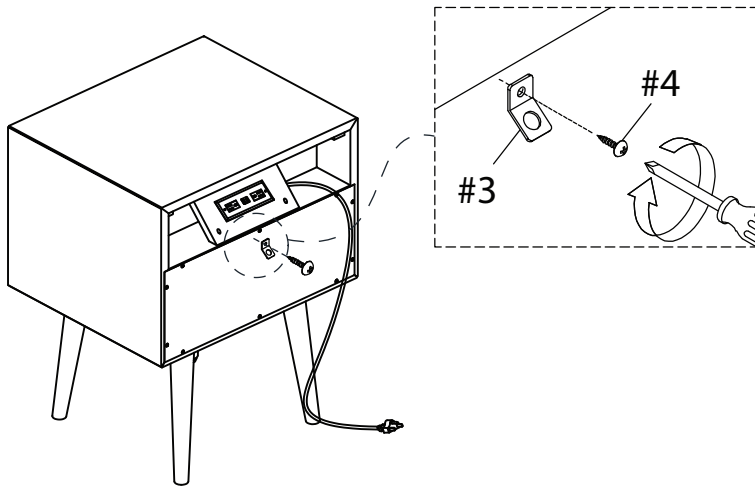
ASSEMBLY INSTRUCTIONS

STEP-2



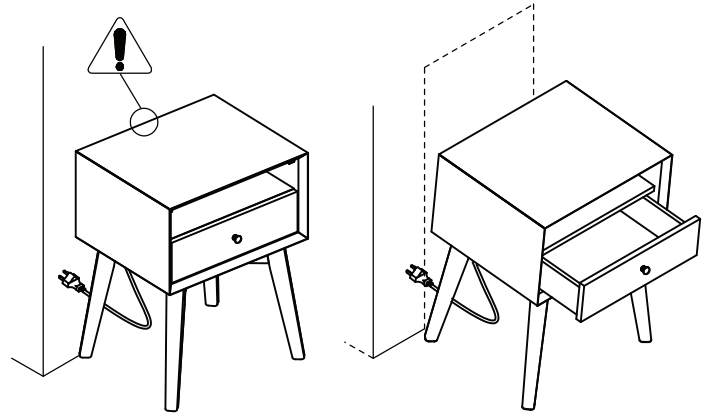
ASSEMBLY INSTRUCTIONS

STEP-3

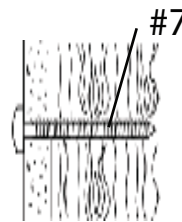


Safety notice

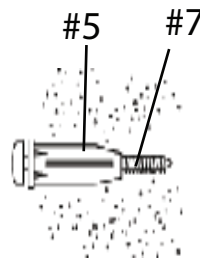
The consumer product safety commission recommends anchoring furniture in homes where children live or visit. In order to protect you and your family the manufacturer of this product has included an easy to install safety device. Please make sure that it is installed according to the following instructions.



Wall mounting hardware



For walls constructed of wood with drywall
-with a pencil mark location of holder position
-Drill pilot hole using a 1/8 inch drill bit 2 inches deep
-Attach holder to wall using the 2 inch screw provided



For walls constructed of concrete
-with a pencil mark location of holder position
-Drill pilot hole using a 1/4 inch drill bit 2 inches deep
-Using a rubber mallet or hammer insert wall anchor into predrilled hole
-Attach holder to wall anchor using 2 inch screw provided

WARRANTY

1. We strive to offer high-quality products, and we also try our best to satisfy each and every customer that orders from us with product or service as needed.
2. We provide 30 days warranty starting from the time you receive the item. Each customer must provide a record of their order such as the order number, or item receipt for any items that are out of the warranty period you may also still receive.
3. Replacement parts by purchasing them with our company if they are available.

Appreciate your purchasing from us.
Pop up your life by our furniture piece!