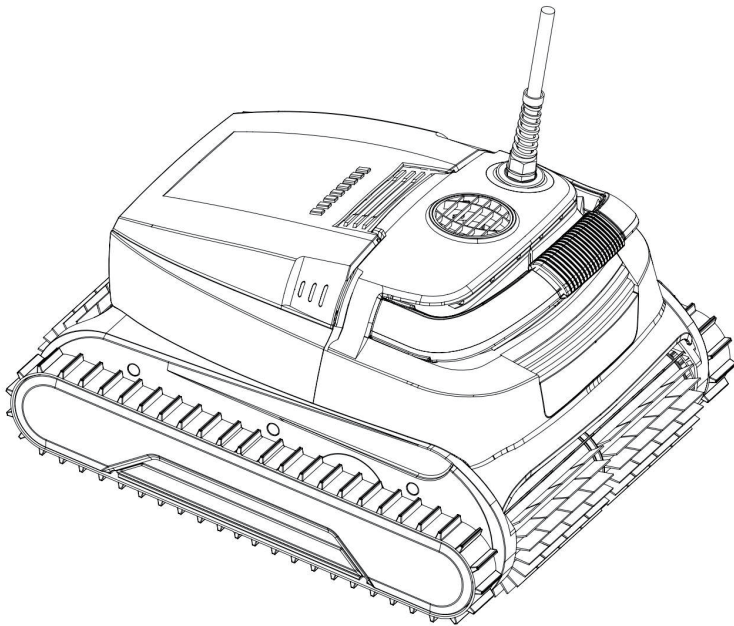


WYBOT

ROBOTIC POOL CLEANER USER MANUAL

WY 450



Thank you for purchasing Wybot™ Robotic Pool Cleaner. Please read through the entire manual before using your new robotic pool cleaner. We are not held liable for any loss or injury caused by improper use. If you encounter a problem with your Wybot™ product, please contact our customer service for assistance.

Wybot Customer Service:

Email: support@wybotpool.com

Web: www.wybotpool.com

Facebook: [@WybotPool](https://www.facebook.com/WybotPool)

WYBOT™

CONTENTS

Important Precaution	01
1. Introduction.....	03
2. Packing List	03
3. Diagrams.....	04
4. Specifications.....	05
5. Instructions.....	06
LIMITED WARRANTY.....	15



Important Precaution

1. When the cleaner is placed on shore or is taken out from the pool, please make sure to turn off the power supply, otherwise it will easily cause serious damage to the cleaner.
2. The power cord of the cleaner must be plugged into the socket with leakage protection device. No one is allowed to enter the swimming pool when the cleaner is working, so as to avoid danger and injury.
3. When putting the cleaner into the swimming pool or take it out from the swimming pool, you must hold the handle. Do not pull the cable. Before starting the cleaner every time, exhaust the gas in the machine as much as possible (there is no bubbles or the machine completely sinks to the bottom of the pool), so as to avoid the gas affecting the normal operation of the cleaner.
4. Before starting the cleaner, it must be confirmed that the cable is completely relaxed, so as to avoid cable entanglement during work, which will affect the cleaning effect of the cleaner. In serious cases, it may cause damage to the cleaner.
5. Clean the filter basket in time after each use of the cleaner, so as not to affect the work of the cleaner due to excessive dirt in the filter basket.
6. When the cleaner is not in use, please store the cleaner in a cool and ventilated place indoors. Avoid direct sunlight.
7. When the cleaner is working, the power supply control box should be placed in the shade. Do not place or cover anything on the power supply control box to prevent damage to the internal electrical components due to overheating.
8. Non-professionals shall not disassemble the main machine body of the cleaner and the power supply control box at will, to avoid danger or avoid damage to the cleaner.
9. To prevent accidents, it is recommended that the power supply box should be connected to the fixtures beside the pool with safety ropes before use.
10. It is strictly forbidden to use this machine beyond its operating conditions. Please read this user manual carefully before using the machine.

11. Ensure that the PH value of the water of the swimming pool is 7.0-7.2.
12. It is forbidden to put water treatment chemicals into the machine, to use the machine for chemical distributing. If the machine is damaged for this reason, the manufacturer is not responsible for the warranty.

Save These Instructions

1. Introduction

WY450 is a high-end series product, which integrates the most advanced technology of swimming pool cleaning robot, including sensor integration, intelligent path planning, self-adaption to swimming pool, super obstacle-surmounting capacity, high-efficiency dirt suction and high-precision filtration, remote control and upgrade functions. It is suitable for large/medium swimming pools. The machine has strong climbing function and can work flexibly in swimming pools made of PVC, ceramic tiles, cement and other materials. The machine is equipped with 3-motor drive system, it can easily solve the problem of line winding. The machine has a secondary filtration system, which can absorb fine dust. The machine is equipped with high-precision gyroscope, infrared and depth sensor, and it adopts multi-sensor integration algorithm. It can provide the optimal path planning according to the shape and size of the swimming pool to achieve efficient and high-quality cleaning effect.

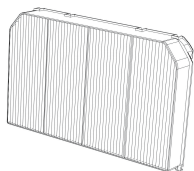
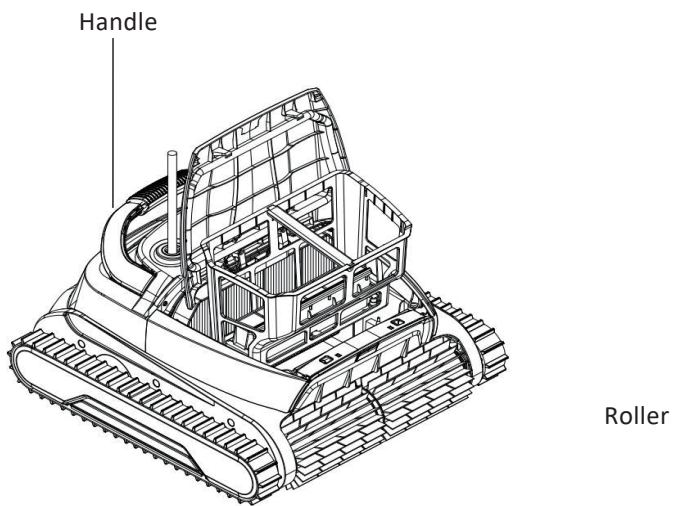
The cleaner is powered by low-voltage DC 28V power supply, it has high safety and reliability.

Before using this product, please read the manual carefully so that you can use this machine correctly.

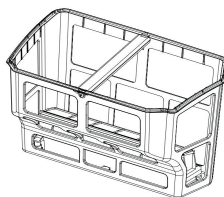
2. Packing list

S/N	Name	Specifications	Quantity (pieces)
1	Main machine body of the cleaner	WY450	1
2	Power supply	POWER1-170	1
3	Safety rope		1
4	User Manual		1
5	Quick guide manual		1

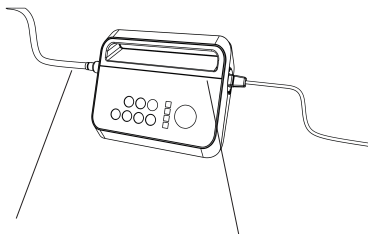
3. Diagrams



Power supply box

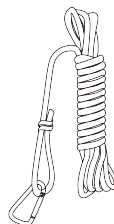


Filter basket



Swivel floating Cord

Power Supply Unit



Safety rope

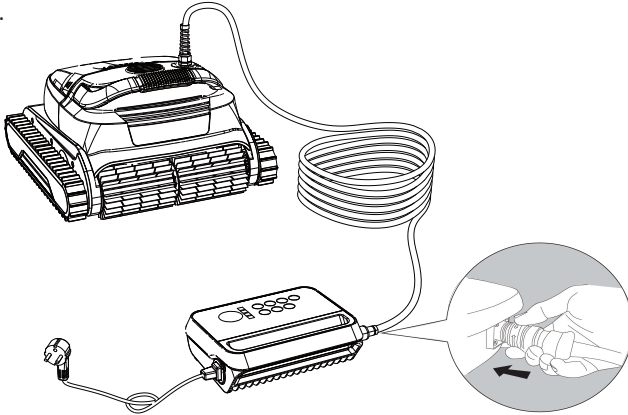
4. Specifications

1. Model	WY450
2. Rated input voltage	100~240VAC, 50Hz/60Hz
3. Rated output voltage	DC 28V
4. Rated power	200W
5. Working time	1 hour/2 hours/3 hours
6. Working modes	Pool bottom mode/wall mode/whole pool mode/waterline mode
7. Cable length	18m
8. Filtration volume	About 15m ³ /h
9. Filter density	180μm, Double filtration
10. Maximum cleaning area	Up to 1399sq. ft(130m ²)
11. Waterproof level	Cleaner IPX8, power supply box IPX5
12. Pool water temperature	50 °F -95 °F (10~+35 °C)
13. Moving speed	About 13m/min
14. Product size	L503*W463*H275mm
15. Weight	10.4Kg±0.1Kg
16. Storage condition	41 °F -95 °F (5 °C -35 °C), RH≤75%

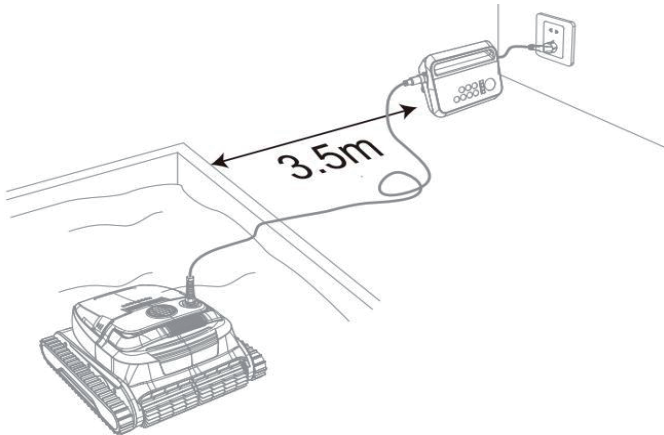
5. Instructions for use

5.1 Setup

a. Attach the blue cable to the power supply by inserting it with the notch on the connector, lined up to the groove in the socket on the power supply, turn it clockwise.

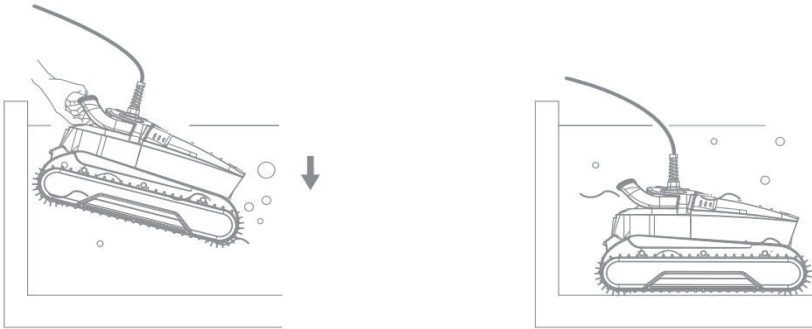


b. The power supply control box must be placed in a suitable position to ensure that the cleaner can reach every corner of the swimming pool. At the same time, the position of the power supply control box should not be less than 3.5 meters from the edges of the swimming pool.

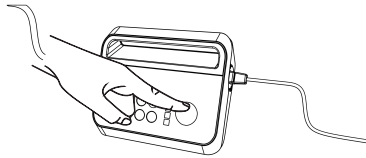


5.2 When putting the cleaner into the swimming pool, the bottom of the cleaner shall face the pool wall.

a. Hold the handle and put the cleaner into the water. The cleaner will slowly discharge the gas (the gas in the cleaner must be completely discharged, otherwise it will affect the normal operation of the machine). Make the machine naturally sinks to the bottom of the pool.

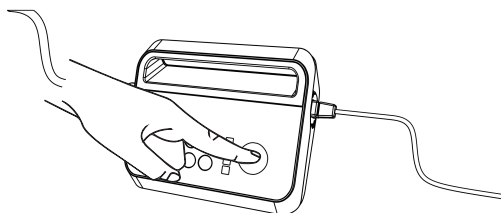


b. Turn the power supply on, wait for 15 seconds, the robot will begin working.

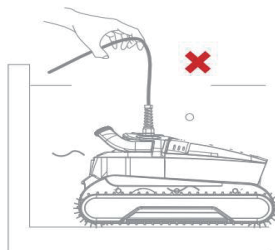
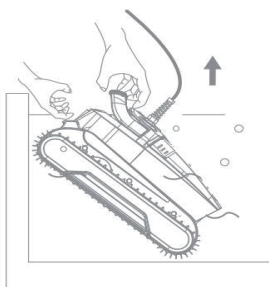


5.3 Remove the Pool Cleaner from the Water

a. Turn off the power supply



b. When taking out the cleaner from the pool, you only can hold the handle, do not pull the cable.



5.4 Acquisition of mobile App and connection

1. Scan the QR code to download the APP



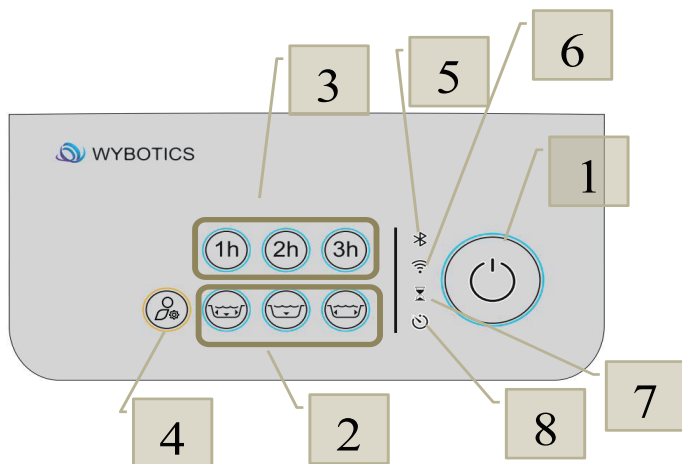
2. Download the App in app store

- 1) In case of Android phones, search google play for WYBOT, and download it
- 2) In case of iPhone, searches the app store for WYBOT, download it
3. After the connection between the APP and the machine is successful, the APP will give a "Success" prompt
4. After entering the APP interface, the parameters of the current machine will be displayed, and users can modify the parameters according to their own demands in cleaning

Note:

1. When using App, it needs to obtain Bluetooth use permission and location permission of the mobile phone
2. App is suitable for ios14 and above, and Android 8.0 and above.
3. To obtain weather information in APP, you need to turn on Location service.

5.5 Switch button and indicator

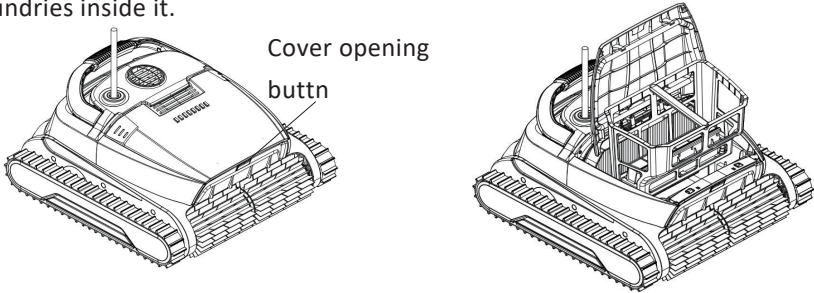


1. Description of buttons and indicator lights

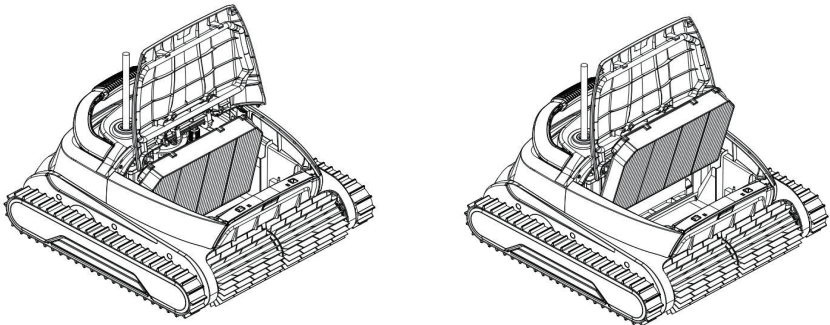
No.	Description of functions	Description
1	Power button with backlight indication	<p>Button: press it long: start-up/shutdown. Press it short: (after startup) starting/stop</p> <p>Backlight indication</p> <p>Standby: blue, always on Automatic operation: blue, breathing Manual status: green, always on Manual operation: green, breathing Return waterline: yellow, breathing The machine is taken out from water, purple, flashing Fault: red, flashing</p>
2	Buttons for cleaning mode (all with backlight)	<p>The functions of the buttons are as follows in turn: whole pool cleaning mode, pool bottom cleaning mode and pool wall cleaning mode; other modes need to be operated through APP;</p> <p>Backlight indication of buttons: the backlight indicator light of the corresponding mode is on, such as whole pool cleaning mode, pool bottom cleaning mode and pool wall cleaning mode;</p> <p>Combination cleaning mode: the combination of backlight indicator lights of pool bottom cleaning mode button+ pool wall cleaning mode button is on;</p> <p>Waterline cleaning mode: the combination of the backlight indicator lights of the whole pool cleaning mode button+the pool wall cleaning mode button is on;</p>
3	Timing buttons (all with backlight)	<p>They are in turn: 1H timing button, 2H timing button and 3H timing button;</p> <p>Backlight: the corresponding timing button indicator light is on.</p>
4	One-key starting function button	<p>Press it long: Re-connect the network;</p> <p>Short it press: the function is set through APP, and you can select the One-key Start-up and Automatic Cleaning/One-key Return Waterline function; and the functions without factory setting;</p>
5	Bluetooth state indicator light	Blue, breathing: Bluetooth connection is successful;
6	Wifi state indicator light	<p>Yellow, breathing: WiFi is configured, it is connected to the router, but it cannot be connected to the cloud;</p> <p>Blue, breathing: successfully connect to the cloud;</p>
7	Delay startup status indicator light	<p>Blue, always on: delay startup has been set, and the time has not come;</p> <p>Blue, breathing: the time for delay startup comes, and automatic cleaning is started (the mode and timing are the last memory mode and timing);</p> <p>Light off: no delay startup setting;</p>
8	Weekly reservation startup status indicator light	<p>Blue, always on: weekly reservation has been set, and the startup time has not come;</p> <p>Blue, breathing: the time of weekly reservation for startup comes, and automatic cleaning is started (the mode and timing are the last memory mode and timing);</p> <p>Yellow, always on: the calendar is not synchronized, and the weekly reservation setting cannot work;</p> <p>Light off: no weekly reservation setting;</p> <p>Through the cloud, you can make separate reservation settings from Monday to Sunday, the time is accurate to o'clock and minutes.</p>

5.5 Clean the filter

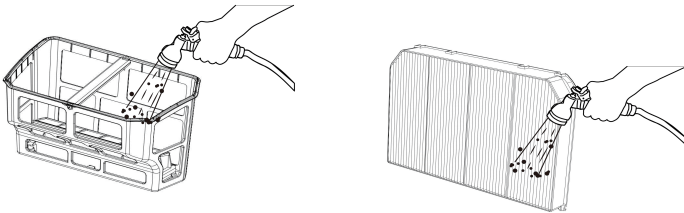
a. After cleaning is completed, take out the cleaner from the swimming pool, press the button at the tail, the upper cover will automatically bounce off, lift the upper cover, take out the filter basket, pour out the sundries inside it.



b. After the hepa filter screen is pressed down, it can be ejected obliquely

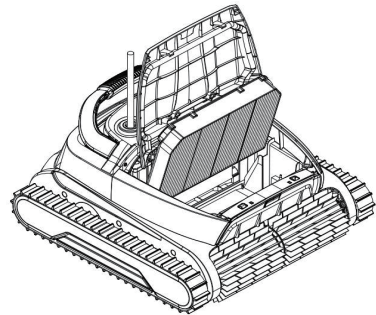
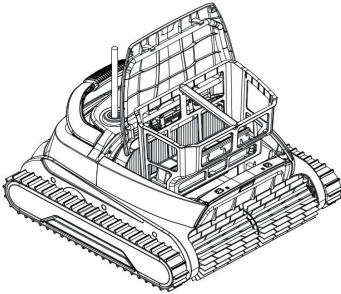


c. Clean the filter basket (Figure 5-5).



d. Re-install the filter basket

Pay attention to the installation position and close the top cover



5.6 LED Indicator

State of indicator lights	Description
Power supply button backlight blue, breathing	Backlights of 3 mode buttons+ backlights of 3 timing mode buttons are always on Prompt for the end of automatic operation cycle; maintain the state for 10 minutes, then the machine shuts down and the lights go off automatically.
Power supply button backlight yellow, breathing	Backlights of 3 mode buttons+backlights of 3 timing mode buttons go off "Automatic returning waterline" function. The machine automatically runs to the waterline and stops running. And the machine automatically shuts down after it is taken out from the pool;
Power supply button backlight purple, flashing	The combination of 2H button backlight +3H button backlight+ pool bottom cleaning button backlight+ wall cleaning button backlight is on. Prompt for the machine being taken out from water and shutdown;
Power supply button backlight red, flashing	The combination of 1H button backlight+ whole pool cleaning Fault: water pump motor has overload;

	button backlight is on.	
	The combination of 2H button backlight+ pool bottom cleaning button backlight is on.	Fault: left travel motor has overload;
	The combination of 3H button backlight+ pool wall cleaning button backlight is on.	Fault: right traveling motor has overload;
	The combination of backlights of 3 timing buttons+ backlights of 3 cleaning mode buttons is on	Fault: the power supply has overload;
	Faults can be viewed through APP	
Power supply button cyan, breathing	--	The OTA upgrade of underwater equipment is in progress. Before the upgrade, it is necessary to connect the underwater machine in advance and turn on the power supply for standby
--	The combination of backlights of 3 timing buttons+ backlights of 3 cleaning mode buttons + backlight of one-key starting function button is on	OTA upgrade of power supply is in progress
Green, breathing	Only the 1H timing button is on	The sensor calibration of underwater machine gyroscope is in progress; Prompt: The underwater machine needs to be placed flat on shore, the machine cable is connected to the power supply, and at the same time, press the power supply button+1H timing button for more than 3S, and the buzzer will sound, the machine enters the calibration state. The power supply button has green backlight and gives breathing indication. When the power supply button backlight turns green and is always on, the calibration ends.
	Only the 2H timing button is on	The depth sensor calibration of underwater machine is in progress; Prompt: The underwater machine needs to be placed flat on shore, the machine cable is connected to the power supply, and at the same time, press the power supply button+2H timing button for more than 3S, and the buzzer will sound, the machine enters the calibration state. The power supply button has green backlight and gives breathing indication. When the power supply button backlight turns green and is always on, the calibration ends.

LIMITED WARRANTY

WYBOT, owned by WYBOTICS CO., LTD, makes products at the best quality we can offer. All WYBOT products have been inspected against defects in materials and workmanship prior to leaving factory. WYBOT is happy to offer warranty for the repair or replacement of pool products for two (2) years on motor and PCB from the date of purchase. The provisions of this Limited Warranty only apply to the original purchaser. Please keep your original sales receipt, as this proof of purchase will be required and must accompany warranty claims to WYBOT or its designated agents. This Limited Warranty does not apply without proof of purchase; or should the purchaser modify or repair the product themselves or by unauthorized people; use non-WYBOT parts or accessories with the product; use the product in contravention of the manufacturer's instructions; use improper voltage; abuse the product in any way; or through accident or negligence. This Limited Warranty will not cover consequential damages, including claims for normal wear-and-tea or any Act of God outside the control of WYBOT. Non-manufacturing defects, such as grasses that may grow through the ground cloth and/or pool liner are examples of which WYBOT cannot hold responsible for.

IN NO EVENT SHALL WYBOT, ITS AUTHORIZED AGENTS, RELATED ENTITIES, OR EMPLOYEES BE LIABLE TO THE BUYER OR ANY OTHER PARTY FOR DIRECT OR CONSEQUENTIAL DAMAGES. Some states or countries, or other jurisdictions, do not allow the exclusion or limitation of incidental or consequential damages, so the above limitation or exclusion may not apply to you.

This Limited Warranty is not extended to close-outs, factory seconds,

WYBOT

or resold products (i.e., garage sales, online auctions, or online retailers not purchased directly from WYBOT). Any issue with items purchased from these types of vendors/sellers will need to be addressed through these stores.



WYBOT™

www.wybotpool.com