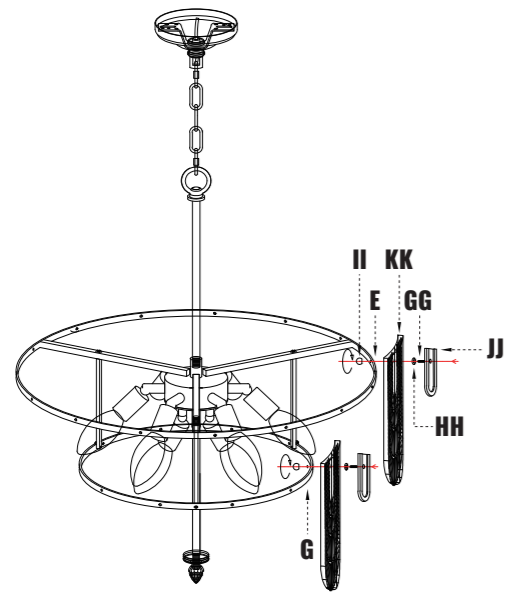
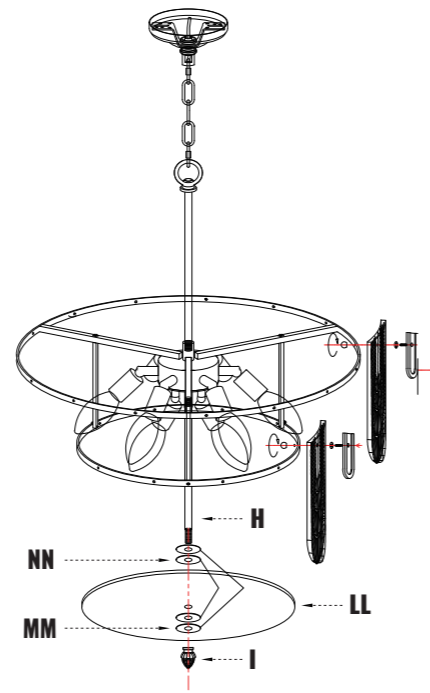


Installation of Side Glass Piece(KK)



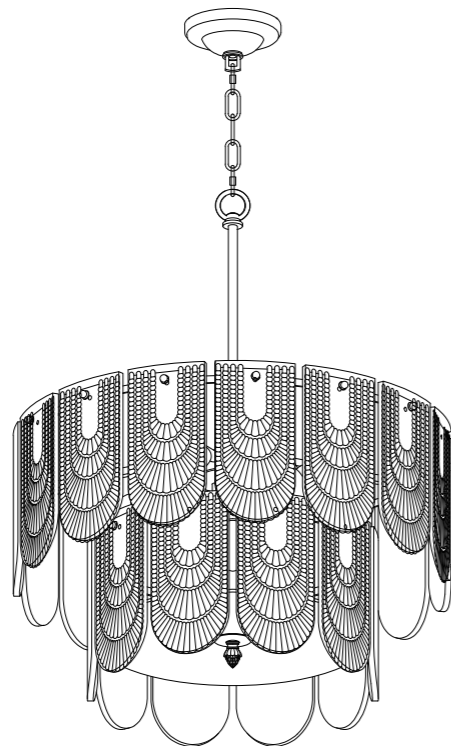
1. After Hanging the fixture body, screw the double end bolts (GG) into the decorative nuts (JJ), and fit the silicon washers (HH) onto them;
2. Attach the glass shades (KK) to the flat iron ring (G) and the fixture body (E) with screws assembled earlier, and locked with the dome nuts (II).

Install the Bottom Glass Piece

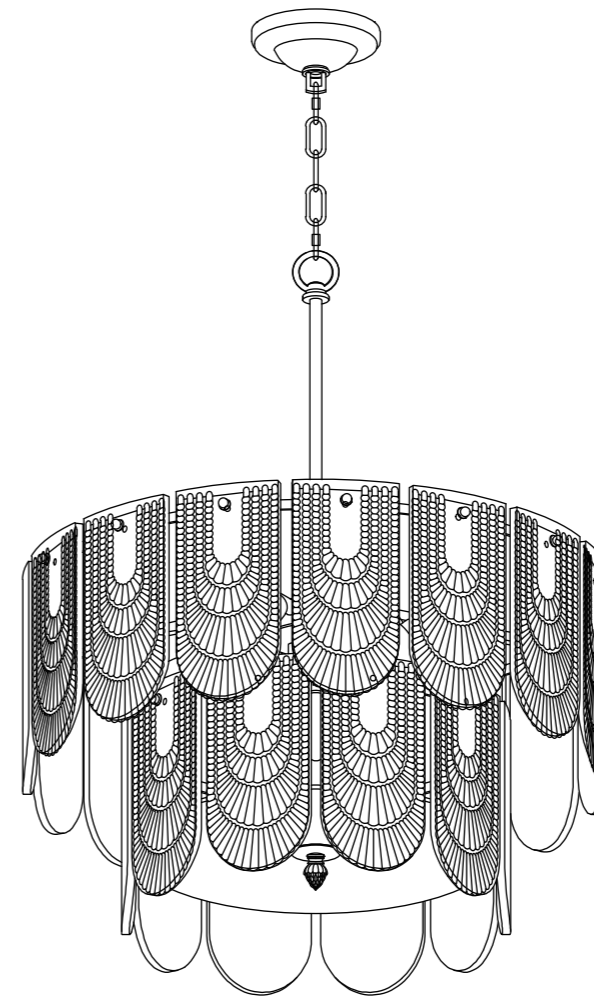


1. Once you've completed the previous step and have all the side glass in place, you can begin installing the bottom glass.
2. Thread (MM)-(NN)-(LL)-(NN)-(MM) onto (H) in order as shown, then twist (I) into connecting rod (H).

Installation Complete



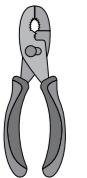
INSTALLATION MANUAL CHANDELIER



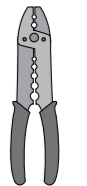
TOOLS REQUIRED



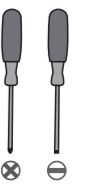
Ladder



Pliers

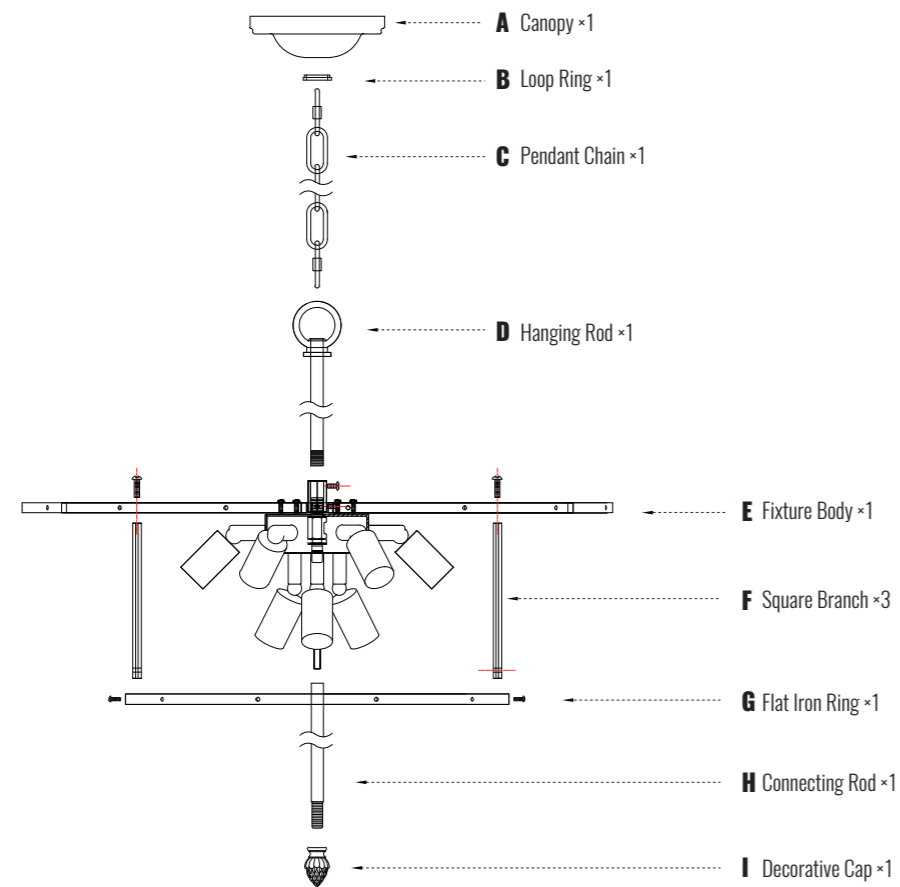


Wire Strippers



Screwdrivers

PACKING LIST



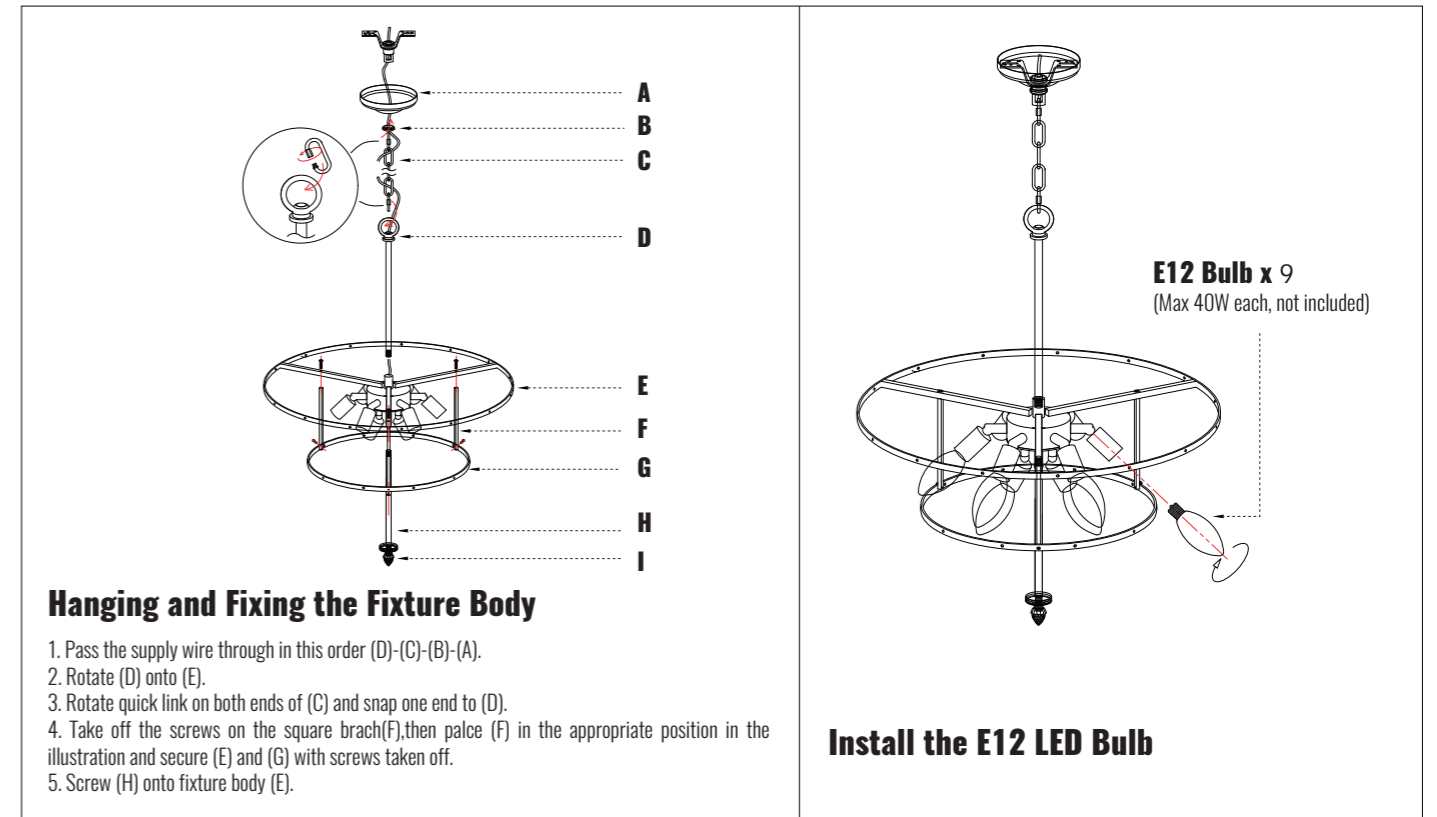
INSTALLATION KIT

AA Wire Nut 3×	BB Outlet Box Screw 2×	CC Ground Screw 1×	DD Mounting Bracket 1×	EE Setscrew M5*20 3×
FF Setscrew M3*10 3×	GG Double End Bolt 25×	HH Silicon Washer 25×	II Dome Nut 25×	JJ Decorative Nut 25×
KK Glass Shade 25×	LL Round Glass 1×	MM large Silicon Washer 2×	NN large Plastic Washer 2×	OO Gloves 1×

NOTE:

1. Ground screw (CC) has been preloaded inside Mounting Bracket (DD), and mounting bracket (DD) has been preloaded into the canopy (A).
2. Setscrew (EE)/(FF) has been preloaded into Square Branch (F). You must loosen them before installation.
3. Silicon Washer (MM)/(NN) has been preloaded into Connecting Rod (H). You must loosen them before installation.

INSTALLATION



INSTALLATION

