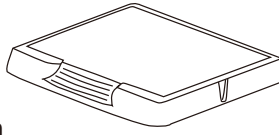
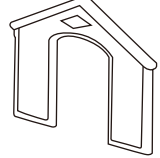
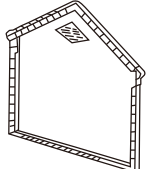
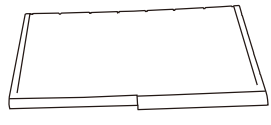
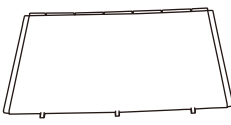

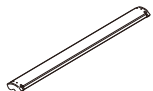






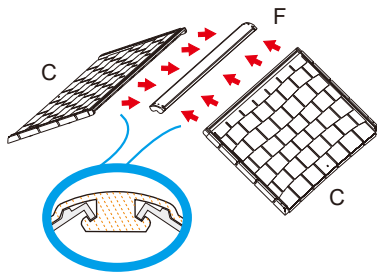
# DOG HOUSE ASSEMBLE INSTRUCTION

# DESTAR®

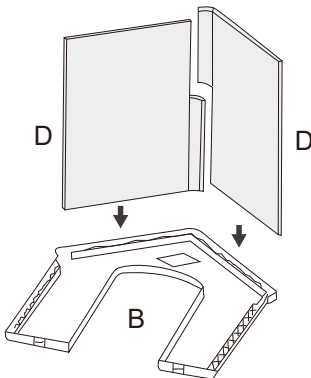
## ACCESSORIES

 <p>1xA-Bottom</p>	 <p>1xB-Door</p>	 <p>1xC-Back wall</p>	
 <p>2xD-Roof</p>	 <p>2xE-Side wall</p>	 <p>5xF-Bottom supporting foot</p>	 <p>1xF Roof</p>
 <p>16pcs of the little screw on body</p>	 <p>4pcs of the big screw at the bottom</p>	 <p>6xG-Lid</p>	 <p>H-Bolt</p>

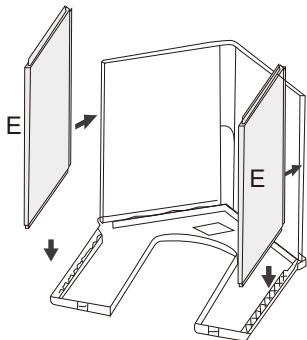
Assemble step:



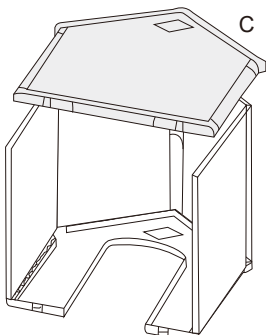
Step1: Assemble the roof (2XC+1XF) well



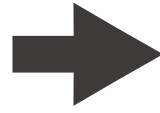
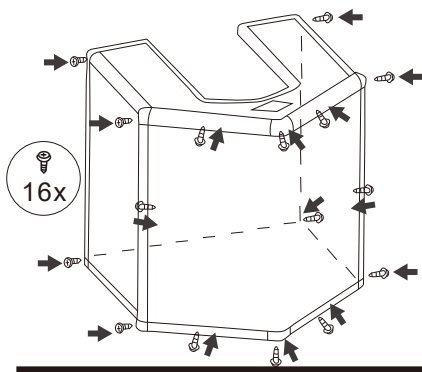
Step2: Put the roof on the back wall



Step3: Put the side two walls after step2.

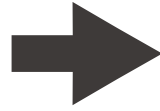
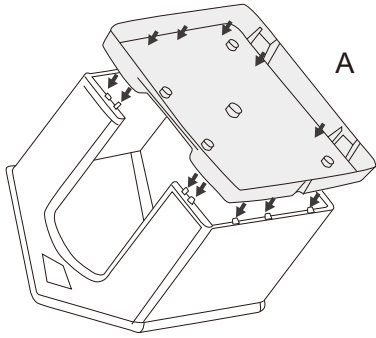


Step4: Put the front door on.



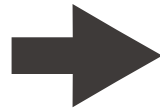
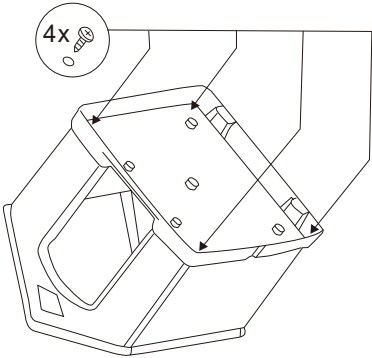
Step5: Twist the 16 pcs of the little screw on the body

---



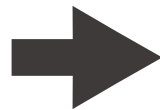
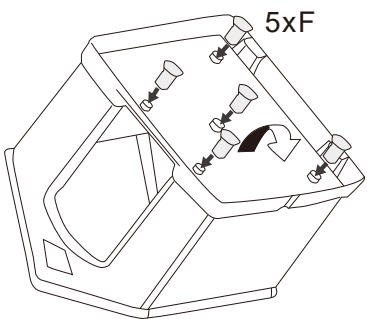
Step6: Assemble the bottom with the body

---



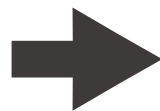
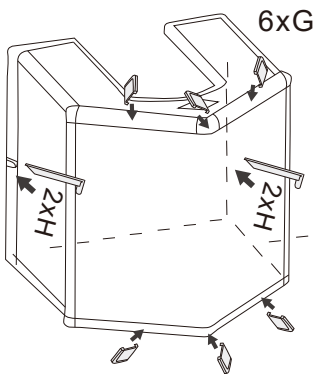
Step7: Twist the 4 big screw at the bottom

---



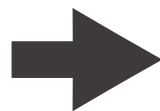
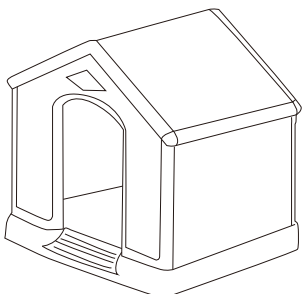
Step8: Put on the bottom supporting foot with the hole

---



Step9: Put on the lid on the screw of the roof and bolt at the bottom

---



Finish