

Round Rope Cage Ceiling Light

Caution: Please turn off power before installation and read the manual carefully, we advise you contact professional electricians to install for safety purpose.

Product Features

Style: Farmhouse/Rustic/Vintage

Material: Metal, Rope

Base Type: E26

Light Source Included: No

Voltage: 120VAC

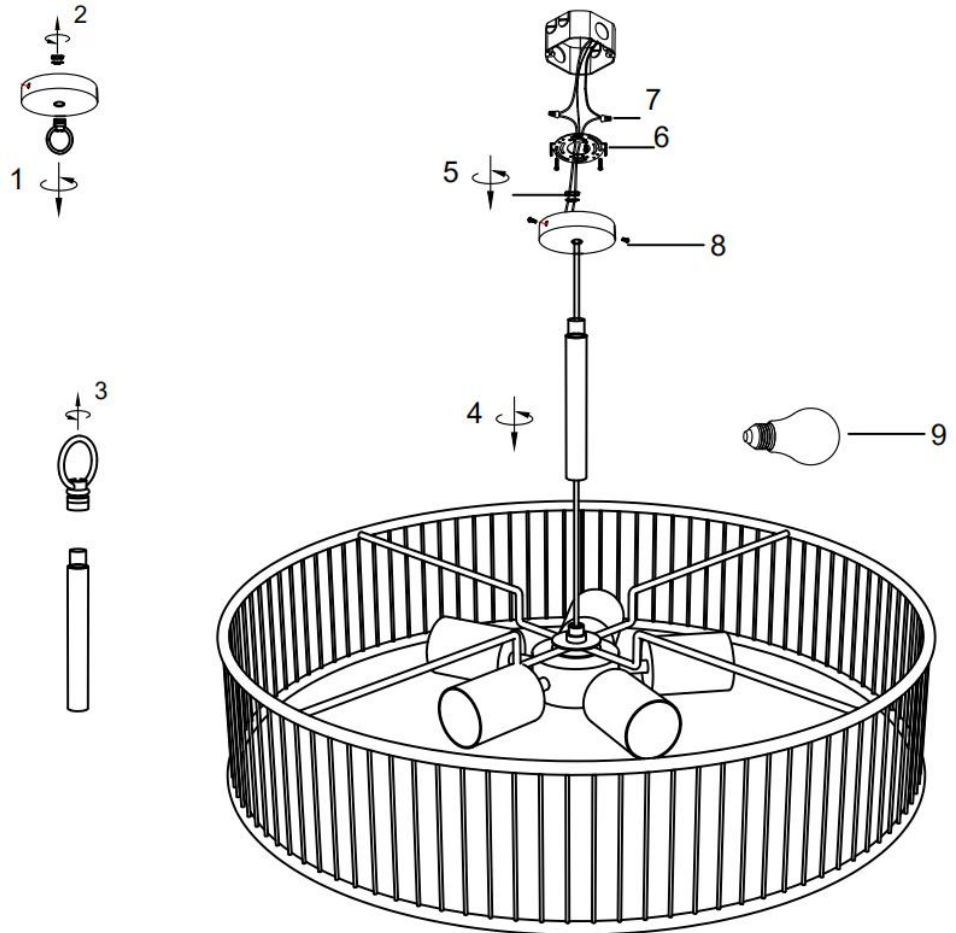
Wattage: 60W

Package includes

1 x Ceiling Light

1 x Accessory Pack

1 x User's Manual



Installation Instructions

1-2. Remove the hanging ring from the ceiling canopy.

3. Remove the hanging ring from the lamp rod.

4. Thread the fixture wire through the hanging rod and tighten the rod downward.

5. Thread the fixture wire through the ceiling canopy and secure it with the nut.

6. Install the mounting plate

Attach the mounting plate to the junction box using the provided screws. Ensure it is firmly secured.

7. Wiring

Pull the power wires from the junction box and connect using wire caps:

White (neutral): Fixture white wire → power white wire

Black (live): Fixture black wire → power black wire

Ground: Fixture ground wire → mounting plate (green screw) → house ground wire via wire clip

Carefully tuck wires into the junction box, ensuring all connections are secure and no bare wires are exposed.

8. Attach the canopy

Position the canopy over the mounting plate and tighten screws. Ensure the canopy is level and securely installed.

9. Install bulbs

Install compatible light bulbs (not included). Ensure each bulb is properly seated and makes full contact with the socket.

Note: Please use this product accordingly to its intended purpose, do not retrofit or remodeling the product. The warranty does not cover if the failure is caused by the third party product, or natural disasters.

Round Rope Cage Pendant Light

Caution: Please turn off power before installation and read the manual carefully, we advise you contact professional electricians to install for safety purpose.

Product Features

Style: Farmhouse/Rustic/Vintage

Material: Metal, Rope

Base Type: E26

Light Source Included: No

Voltage: 120VAC

Wattage: 60W

Package includes

1 x Pendant Light

1 x Accessory Pack

1 x User's Manual

Installation Instructions

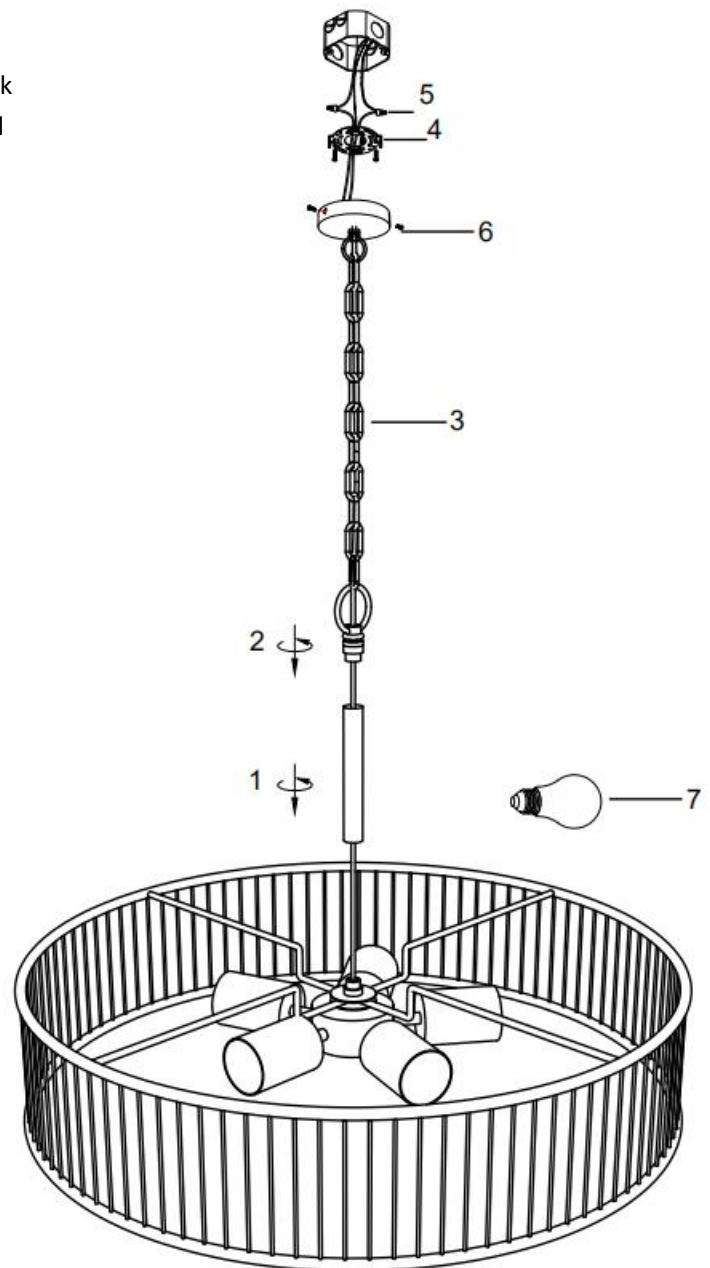
1. Thread the fixture wire through the hanging rod and tighten the rod downward.
2. Thread the fixture wire through the hanging ring and tighten the ring downward.
3. Thread the fixture wire through the hanging chain and install the chain.
4. Install the mounting plate
Attach the mounting plate to the junction box using the provided screws. Ensure it is firmly secured.
5. Wiring
Pull the power wires from the junction box and connect using wire caps:
White (neutral): Fixture white wire → power white wire
Black (live): Fixture black wire → power black wire
Ground: Fixture ground wire → mounting plate (green screw) → house ground wire via wire clip
Carefully tuck wires into the junction box, ensuring all connections are secure and no bare wires are exposed.

6. Attach the canopy

Position the canopy over the mounting plate and tighten screws. Ensure the canopy is level and securely installed.

7. Install bulbs

Install compatible light bulbs (not included). Ensure each bulb is properly seated and makes full contact with the



Note: Please use this product accordingly to its intended purpose, do not retrofit or remodeling the product. The warranty does not cover if the failure is caused by the third party product, or natural disasters.