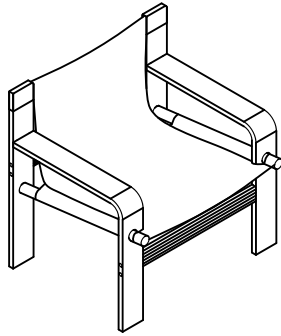


Assembly Instructions

Item: ACCENT CHAIR



1. Important Safeguards



Read these instructions carefully and retain them for future use. If this product is passed to a third party, then these instructions must be included.

When using the product, basic safety precautions should always be followed to reduce the risk of injury including the following:

⚠ CAUTION Risk of injury!

- **Product can tip over! Do not let children climb on or play with the product.**
- Always use the product on a firm, level ground.
- Do not stand on the product or use it as a step ladder.
- Periodically check to see that all bolts, screws and knobs are firmly screwed. Tighten them if any are loose.
- Stop using the product at first sign of damage or if parts become detached.
- Keep the fire or all sharp objects away from the product.

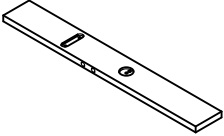
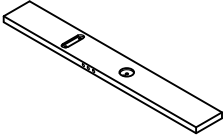
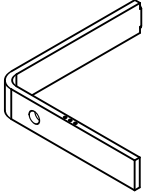
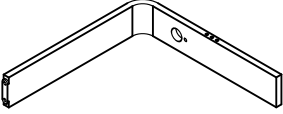

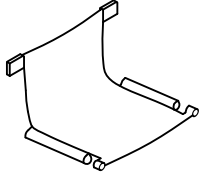
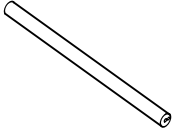
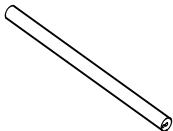
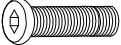
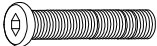


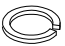



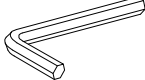

2. Before First Use

⚠ DANGER Risk of suffocation!

- **Keep any packaging materials away from children and pets** - these materials are potential source of danger, e.g. Suffocation.
- Check the product for transport damages. Unpack all hardware bags and components to ensure you have all parts before assembly.
- Assemble product on a clean non-marring surface. Remove all the packing materials.

3. Cleaning and Maintenance

- Clean spills immediately by using a soft, clean, lint-free cloth to prevent staining.
- Never use harsh chemicals or solvents on your product as this may damage the product.
- Marks and stains are difficult to remove, we recommend you consult a professional. If you use a professional product, pretest it in an inconspicuous area for any signs of discoloration or shrinking.

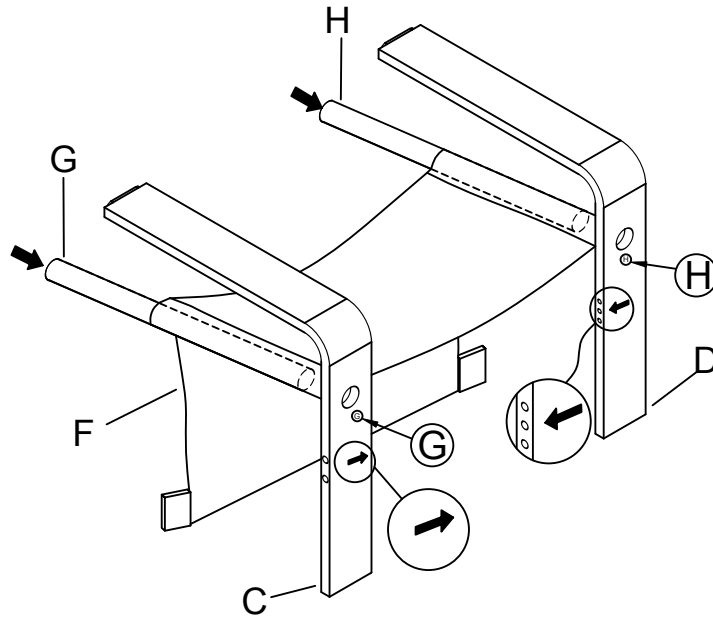
<p>A x 1</p> 	<p>B x 1</p> 	<p>C x 1</p> 
<p>D x 1</p> 	<p>E x 2</p> 	<p>F x 1</p> 
<p>G x 1</p> 	<p>H x 1</p> 	<p>I x 4</p>  <p>1/4" x 1/2"</p>
<p>J x 6</p>  <p>1/4" x 1-1/2"</p>	<p>K x 8</p>  <p>1/4" x 4"</p>	<p>L x 6</p>  <p>Ø8 x 30mm</p>
<p>M x 14</p>  <p>1/4"</p>	<p>N x 8</p>  <p>1/4"</p>	<p>O x 2</p> 
<p>P x 8</p> 	<p>Q x 1</p> 	<p>R x 6</p>  <p>1/4"*16*1.5</p>



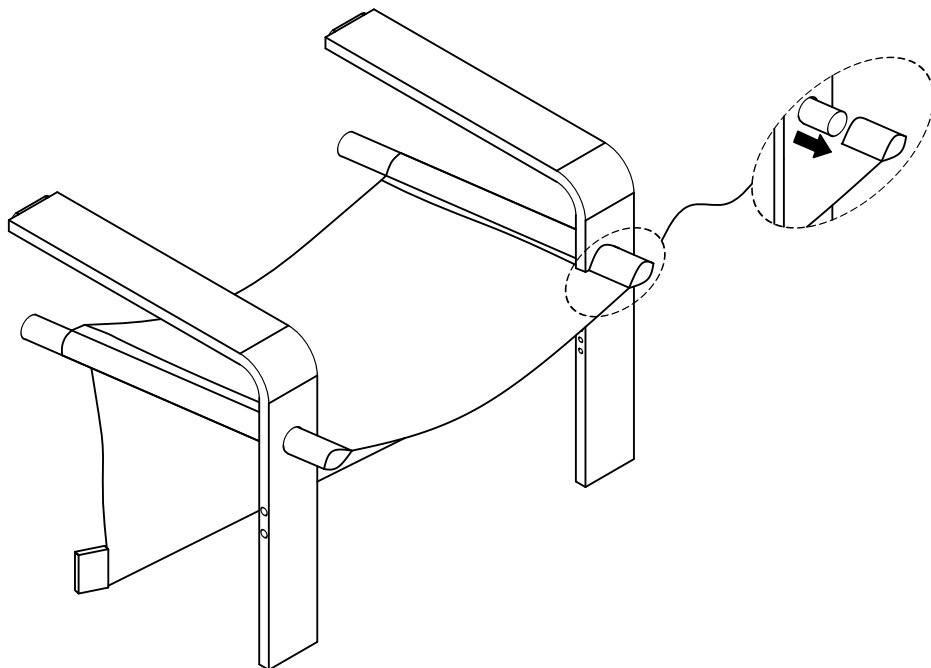
NOTE:

Suggest to assemble the product by 2 or more people.
Do not tighten screws before all product parts be together.

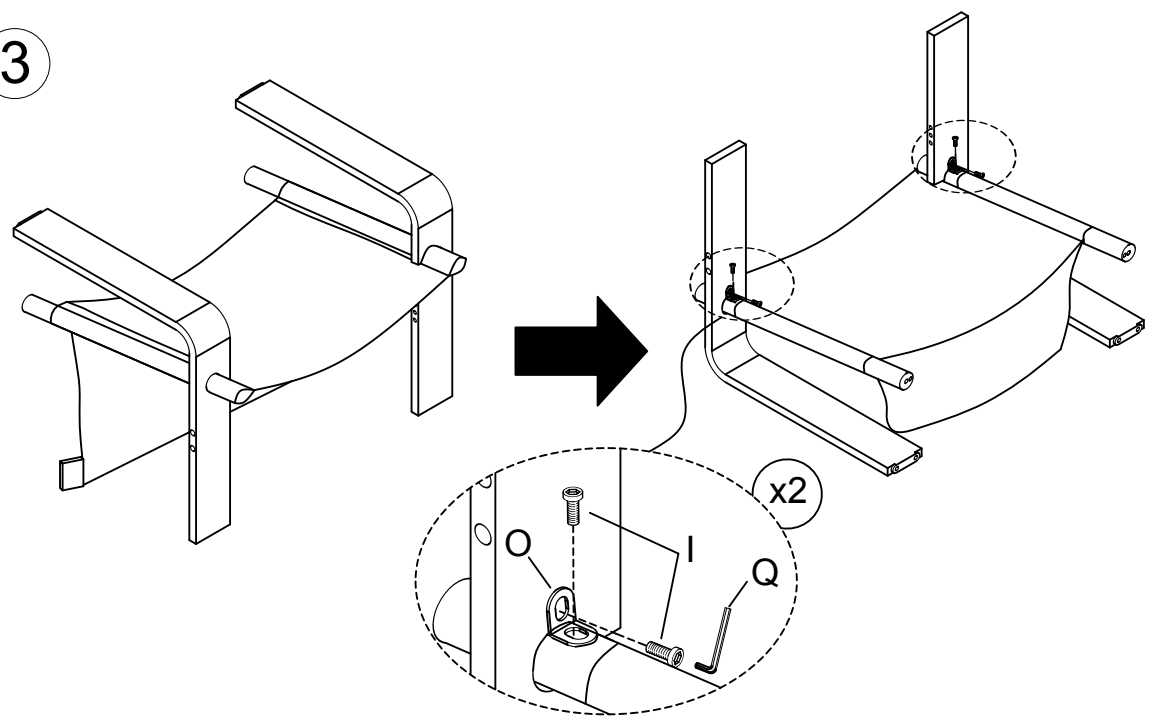
1



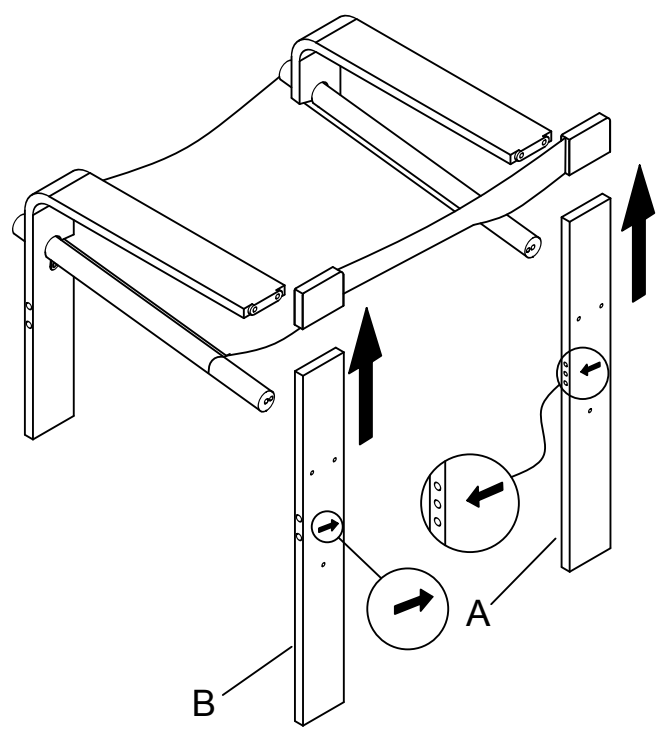
2



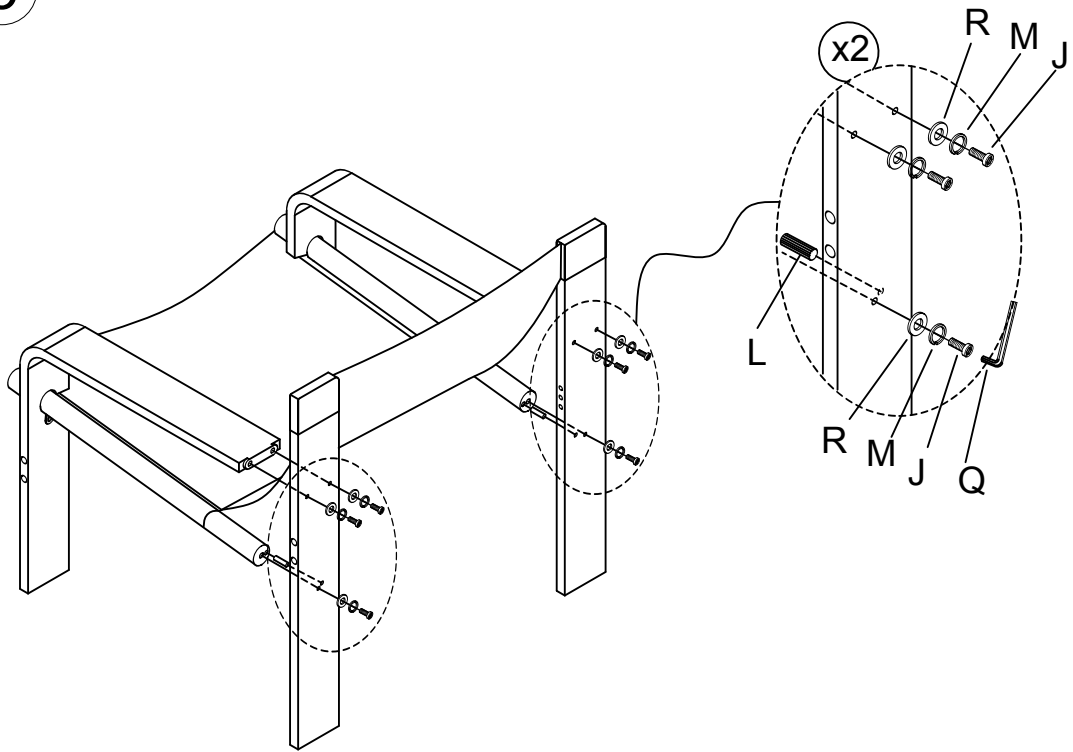
3



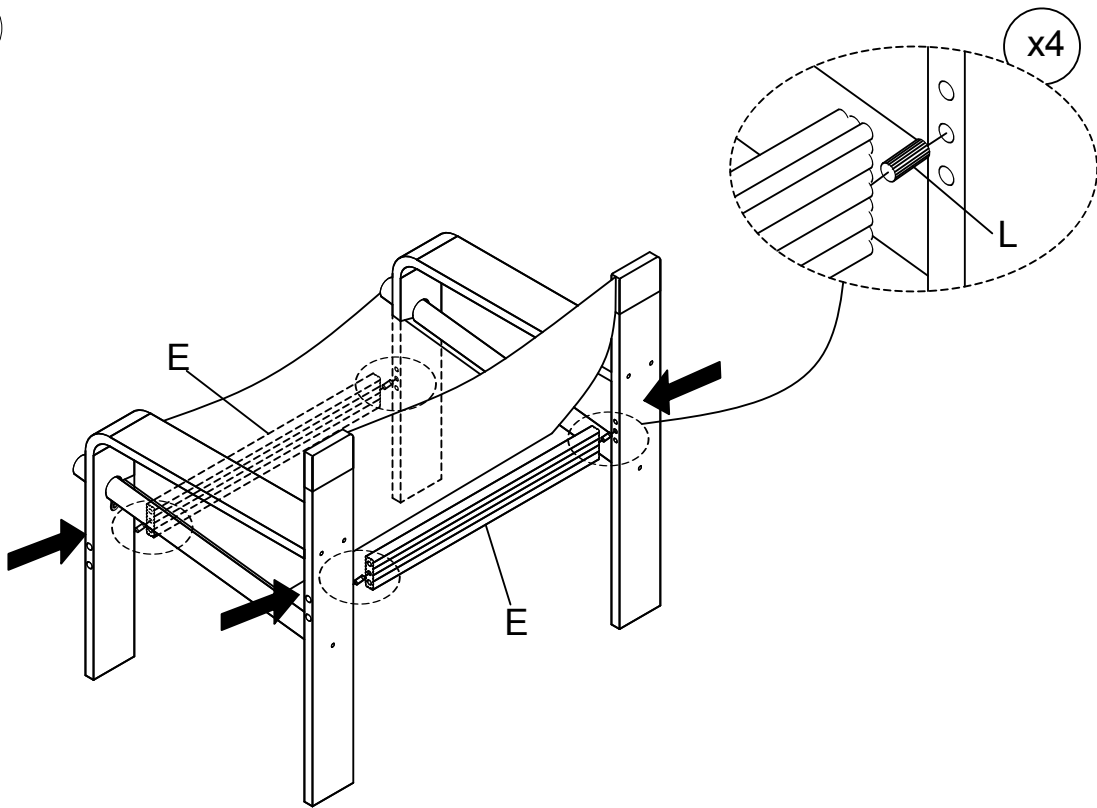
4



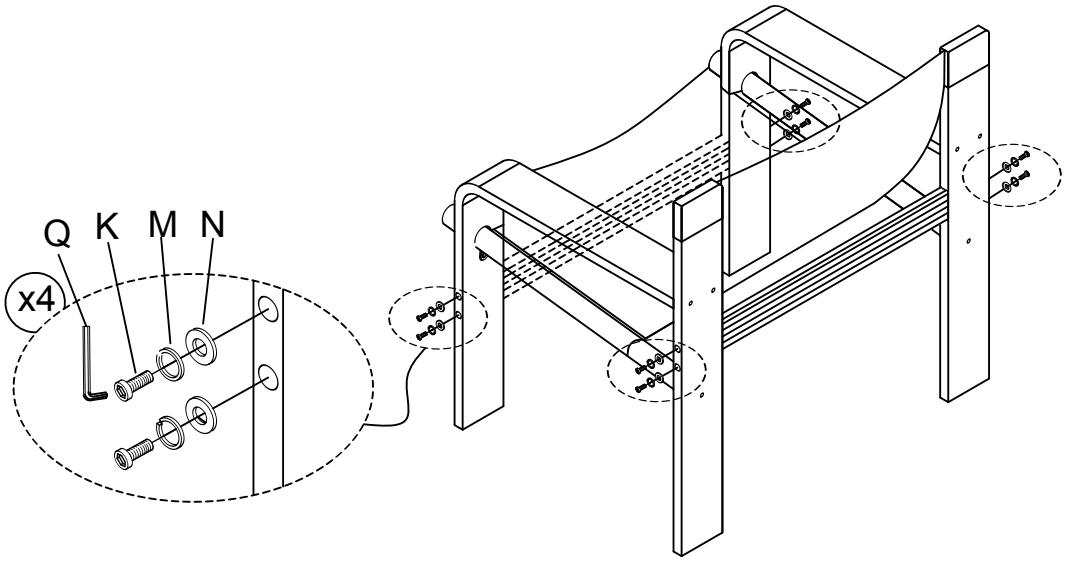
5



6



7



8

