



see what Delta can do™

112036



X00112036

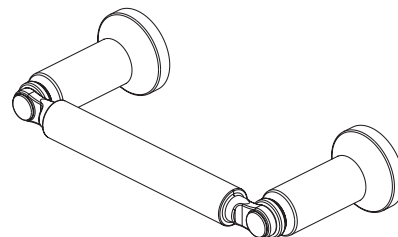
# TISSUE HOLDER SOPORTE PARA EL PAPEL HIGIENICO SUPPORT DE PAPIER HYGIÉNIQUE

Models/Modelos/Modèles

73550▲

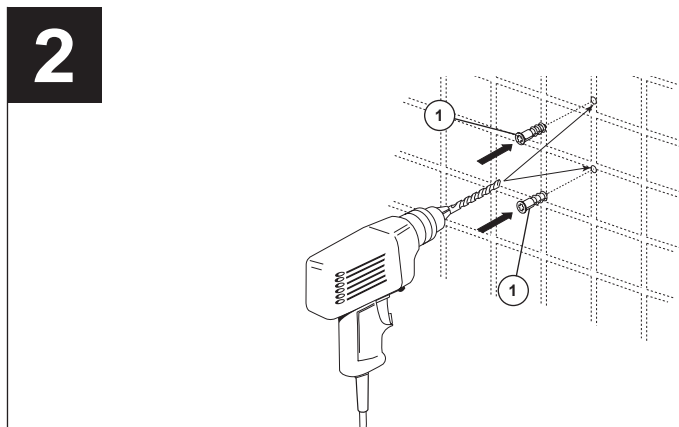
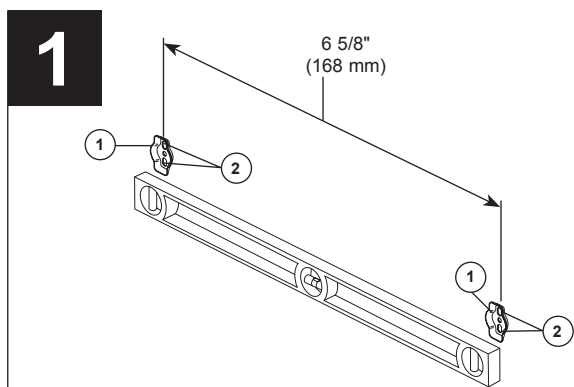
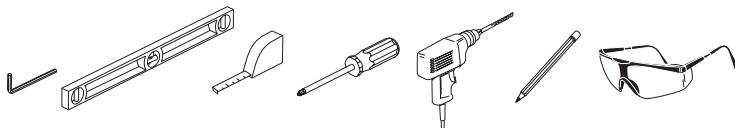
Series/Series/Seria

Saylor™



▲Specify Finish / Especificque el Acabado / Précisez le Fini

You may need / Usted puede necesitar /  
Articles dont vous pouvez avoir besoin:



**NOTE: If possible, it is best to mount at least one end of your tissue holder into a wall stud. Try to locate a wall stud with a stud finder or by tapping on the wall. Place mounting bracket (1) in the desired location. Ensure the mounting bracket is level; then, mark the position of the holes (2) on the wall. Repeat for 2nd mounting bracket, spaced as noted above.**

**NOTA: Si es posible, es mejor que instale, aun que sea, un extremo de su sostenedor del tejido en un entramado o soporte de pared. Trate de ubicar un entramado con un detector de entramados o golpeando la pared. Coloque el abrazadera de montaje (1) en el sitio deseado. Asegúrese que el abrazadera de montaje está nivelado; luego, marque la posición de los agujeros (2) en la pared. Repita con el segundo perno e instalación, separados como se indica arriba.**

**REMARQUE: Dans la mesure du possible, il est préférable de fixer au moins une extrémité du porte-mouchoirs dans un montant. Essayez de trouver un montant à l'aide d'un localisateur de montants ou en tapotant sur le mur. Placez le support de montage (1) à l'endroit voulu. Assurez-vous qu'il est de niveau, puis marquez la position des trous (2) sur le mur. Répétez les étapes pour l'installation du 2e abrazadera de fixation en respectant l'espacement indiqué ci-dessus.**

If you were able to locate a wall stud for one or both ends to mount your tissue holder, drill 1/8" (3mm) holes and mount the mounting bracket with the two screws provided. (Skip to step 4 if both mounting studs were mounted into wall studs.)

On ceramic tile, try to locate the mounting hole locations on a grout line. If mounting into ceramic tile or solid surface, place masking tape on the mounting area before marking the location to prevent the drill bit from sliding. To drill through ceramic tile, obtain a 1/4" diameter carbide drill bit. Drill 1/4" diameter holes where indicated. Push in anchors (1) until flush with walls. **Note: Sheetrock or hollow doors may require molly or toggle bolts, which are not included with this product.**

Si logró ubicar un entramado de pared para instalar uno ó ambos extremos de la sostenedor del tejido, taladre agujeros de 1/8" (3mm) e instale el abrazadera de instalación con los dos tornillos incluidos. (Continúe con el paso 4 si ambos pernos de instalación se instalaron en los entramados.)

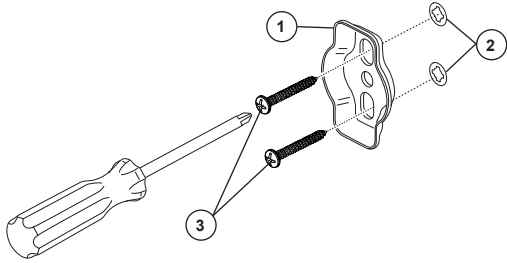
En losas de cerámica, trate de ubicar los sitios para los agujeros de instalación/montaje en la línea del enluchado. Si va a instalar en losa de cerámica o una superficie sólida, coloque cinta adhesiva en el área donde va a hacer la instalación antes de marcar la ubicación para prevenir que la broca de la perforadora no se resbale. Para perforar en losa de cerámica, obtenga una broca de perforar con punta de carburo de 1/4". Perfore agujeros de 1/4" donde indicado. Presione las anclas (1) hacia adentro hasta que queden al ras con las paredes. **Nota: Cartón de yeso o puertas huecas podrán requerir sujetador o pernos de palanca, que no se incluyen con este producto.**

Si vous avez pu trouver un montant pour l'une ou les deux extrémités du porte-mouchoirs, percez des trous de 1/8 po (3mm) et montez support de fixation à l'aide des deux vis no fournis. (Passez à l'étape 4, si les deux éléments de fixation sont ancrés dans des montants.)

Sur un carreau de céramique, trouvez l'emplacement des trous de montage dans le coulis dans la mesure du possible. Si vous installez votre accessoire sur un carreau de céramique ou sur une surface dure, placez du ruban cache sur la zone où sera fixé l'accessoire avant de marquer l'emplacement des trous pour éviter que le foret ne glisse. Pour percer des trous dans un carreau de céramique, utilisez un foret au carbure de 1/4 po. Percez des trous de 1/4 po aux endroits indiqués. Insérez les ancrages de plastique (1) en poussant jusqu'à ce qu'ils soient bien appuyés contre le mur. **Note : Dans les cloisons en placoplâtre ou les portes creuses, il peut être nécessaire d'utiliser les boulons Molly ou les boulons à ailettes non fournis avec ce produit.**



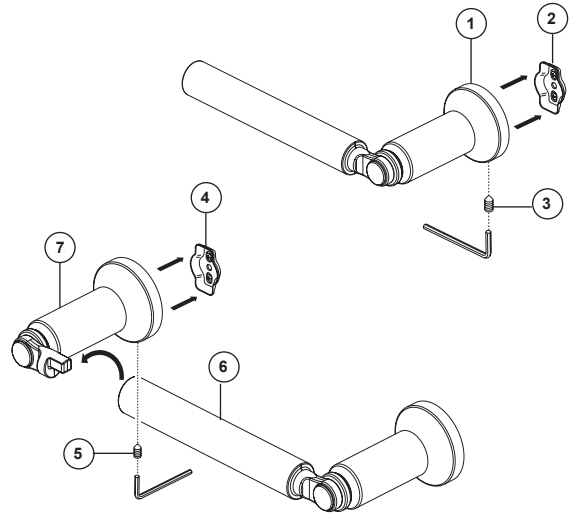
1-800-345-DELTA (3358)  
www.deltafaucet.com/service-parts

**3**

With the mounting bracket (1) oriented as shown, place it over the installed anchors (2) and install screws (3). Repeat for second mounting bracket.

Con el abrazadera de fijación (1) orientado como se muestra, colóquelo sobre las anclas instaladas (2) y instale los tornillos (3). Repita el procedimiento para el segundo abrazadera de montaje.

Orientez le support (1) comme le montre la figure et placez-le sur les ancrages installés (2) et installer les vis (3). Montez le deuxième support de la même manière.

**4**

Position body (1) over mounting bracket (2) and tighten set screw (3). (Set screw should be on the bottom of body.) Slide the second body over the other mounting bracket (4) and tighten set screw (5). Place one end of the tissue holder bar (6) onto the second body (7).

Coloque el cuerpo (1) en el abrazadera roscado (2) y apriete el tornillo de ajuste (3). (Un tornillo fijo debe estar en la parte inferior del cuerpo). Deslice el segundo cuerpo sobre el otro abrazadera de montaje (4) y apriete el tornillo (5). Coloque un extremo de barra del sostenedor del tejido (6) en el segundo cuerpo (7).

Placez le corps (1) sur le support de montage (2) et serrez la vis de calage (3). (La vis de calage doit se trouver en dessous du corps.) Glissez le deuxième corps sur l'autre support de montage (4) et serrez la vis de calage (5). Placez une extrémité du barre de support de tissu (6) dans le deuxième corps (7).

### **⚠ WARNING**

This item is not designed for use as a grab bar. Do not mount in locations where product is likely to be used as a grab bar.

Use caution when drilling into walls to avoid drilling into electrical and plumbing lines hidden within wall.

### **⚠ ADVERTENCIA**

Este item não foi desenhado para ser utilizado como barra de elevações. Não monte em locais onde o produto possa ser utilizado como barra de elevações.

Tenha cuidado quando perfurar em paredes de modo a evitar furar as linhas eléctricas e canalizações dentro das paredes.

### **⚠ MISE EN GARDE**

Ce produit ne convient pas aux mains courantes. Ne pas installer là où le produit peut être utilisé comme une main courante.

Lorsque vous percez des trous dans le mur, faites attention de ne pas entrer dans les fils et les tuyaux cachés dans le mur.

## **Cleaning and Care**

Care should be given to the cleaning of this product. Although its finish is extremely durable, it can be damaged by harsh abrasives or polish. To clean, simply wipe gently with a damp cloth and blot dry with a soft towel.

## **Limpeza y Cuidado de su Llave**

Tenga cuidado al limpiar este producto. Aunque su acabado es sumamente durable, puede ser afectado por agentes de limpieza o para pulir abrasivos. Para limpiar su llave, simplemente frótela con un trapo húmedo y luego séquela con una toalla suave.

## **Instructions de nettoyage**

Care should be given to the cleaning of this product. Although its finish is extremely durable, it can be damaged by harsh abrasives or polish. To clean, simply wipe gently with a damp cloth and blot dry with a soft towel.

## LIMITED WARRANTY ON DELTA® ACCESSORY PRODUCTS

Delta® Accessories are warranted to the original consumer purchaser or commercial purchaser, as applicable, to be free from defects in material and workmanship for the applicable period specified below:

**Parts and Finish of Delta Accessories (excluding Sink Accessories):** All parts and finishes (other than electronic parts and batteries) of Delta Accessories, other than sink accessories, purchased from authorized Delta sellers are warranted to the original consumer purchaser to be free from defects in material and workmanship for as long as the original consumer purchaser owns the home in which the accessory was first installed. For commercial purchasers, (a) the warranty period is ten (10) years for multi-family residential applications and (b) five (5) years for all other commercial applications, in each case from the date that the product is received by the original commercial purchaser or their authorized representative (installation contractor, etc.). For purposes of this warranty, the term "multi-family residential application" refers to the purchase of the accessory from an authorized Delta seller by a purchaser who owns but does not live in the residential dwelling in which the accessory is initially installed, such as in a rented or leased single unit or multi-unit detached home (duplex or townhome), or a condominium, apartment building or community living center. The following installations are not considered multi-family residential applications, are excluded from the 10-year warranty and are subject to the five-year warranty: industrial, institutional or other business premises, such as a dormitory, hospitality premises (hotel, motel or extended stay location), airport, educational facility, long- or short-term healthcare facility (hospital, rehabilitation center, nursing, assisted or staged-care living unit), public space or common area.

**Parts and Finish of Delta Sink Accessories:** All parts and finishes of Delta Sink Accessories purchased from authorized Delta sellers are warranted to the original purchaser to be free from defects in material and workmanship for one (1) year from the date that the product is received by the original purchaser or their authorized representative (installation contractor, etc.).

**Parts and Finish for Delta Recertified Accessories:** Delta Faucet Company offers for sale on [deltafaucet.com](http://deltafaucet.com) Delta Recertified Accessories. All parts (other than electronic parts and batteries) and finishes of these Delta Recertified Accessories, (other than Sink Accessories) are warranted to the original consumer purchaser to be free from defects in material and workmanship for ten (10) years from the date that the product is received by the original consumer purchaser or their authorized representative (installation contractor, etc.). For commercial purchasers, the warranty period is one (1) year from the date that the product is received by the original commercial purchaser or their authorized representative (installation contractor, etc.). Delta Recertified Sink Accessories are warranted to the original purchaser to be free from defects in material and workmanship for one (1) year from the date that the product is received by the original purchaser or their authorized representative (installation contractor, etc.).

**Electronic Parts:** Electronic parts (other than batteries), if any, of Delta Accessories purchased from [deltafaucet.com](http://deltafaucet.com) or authorized Delta sellers are warranted to the original consumer purchaser to be free from defects in material and workmanship for two (2) years from the date that the product is received by the original consumer purchaser or their authorized representative (installation contractor, etc.) or, for commercial purchasers, for one (1) year from the date that the product is received by the original commercial purchaser or their authorized representative (installation contractor, etc.). No warranty is provided on batteries.

**What We Will Do:** Delta Faucet Company will repair or replace, free of charge, during the applicable warranty period (as described above), any part or finish that proves defective in material and/or workmanship under normal installation, use and service. If repair or replacement is not practical, Delta Faucet Company may elect to refund the purchase price in exchange for the return of the product. **These are your exclusive remedies.**

**What Is Not Covered:** Because Delta Faucet Company is unable to control the quality of Delta products sold by unauthorized sellers, unless otherwise prohibited by law, this warranty does not cover Delta products purchased from unauthorized sellers.

Any labor charges incurred by the purchaser to repair, replace, install or remove this product are not covered by this warranty. Delta Faucet Company shall not be liable for any damage to the product resulting from reasonable wear and tear, outdoor use, misuse (including use of the product for an unintended application), abuse, neglect or improper or incorrectly performed installation, maintenance or repair, including failure to follow the applicable installation, care and cleaning instructions. We also recommend that you use only genuine Delta® replacement parts.

**What You Must Do To Obtain Warranty Service or Replacement Parts:** A warranty claim may be made and replacement parts may be obtained by calling 1-800-345-3358 or by contacting us by mail or online as follows (please include your model number, date of original purchase and documentation of the date of receipt of the product by the original purchaser or their authorized representative (installation contractor, etc.):

**In the United States and Mexico:**  
Delta Faucet Company  
55 E. 111th Street  
Carmel, IN 46280  
Attention: Warranty Service  
[www.deltafaucet.com/service-parts/contact-us](http://www.deltafaucet.com/service-parts/contact-us)

**In Canada:**  
Masco Canada Limited, Plumbing Group  
Technical Service Centre  
350 South Edgeware Road  
St. Thomas, Ontario, Canada N5P 4L1  
Attention: Customer Service  
<http://www.deltafaucet.ca/customersupport/assistance.html>

Proof of purchase (original sales receipt showing purchase date) and documentation of the date of receipt of the product by the original purchaser or their authorized representative (installation contractor, etc.) must be made available to Delta Faucet Company for all warranty claims unless the purchaser has registered the product with Delta Faucet Company or the product is a Delta Recertified product purchased from [deltafaucet.com](http://deltafaucet.com). This warranty applies only to Delta accessories manufactured after January 1, 2019 and installed in the United States of America, Canada and Mexico.

**Limitation on Duration of Implied Warranties:** Please note that some states/provinces (including Quebec) do not allow limitations on how long an implied warranty lasts, so the below limitations may not apply to you. TO THE MAXIMUM EXTENT PERMITTED BY APPLICABLE LAW, ANY IMPLIED WARRANTY, INCLUDING THE IMPLIED WARRANTIES OF MERCHANTABILITY AND OF FITNESS FOR A PARTICULAR PURPOSE, IS LIMITED TO THE STATUTORY PERIOD OR THE DURATION OF THIS WARRANTY, WHICHEVER IS SHORTER.

**Limitation of Special, Incidental or Consequential Damages:** Please note that some states/provinces (including Quebec) do not allow the exclusion or limitation of special, incidental or consequential damages, so the below limitations and exclusions may not apply to you. TO THE MAXIMUM EXTENT PERMITTED BY APPLICABLE LAW, THIS WARRANTY DOES NOT COVER, AND DELTA FAUCET COMPANY SHALL NOT BE LIABLE FOR, ANY SPECIAL, INCIDENTAL OR CONSEQUENTIAL DAMAGES (INCLUDING LABOR CHARGES TO REPAIR, REPLACE, INSTALL OR REMOVE THIS PRODUCT), WHETHER ARISING OUT OF BREACH OF ANY EXPRESS OR IMPLIED WARRANTY, BREACH OF CONTRACT, TORT, OR OTHERWISE. DELTA FAUCET COMPANY SHALL NOT BE LIABLE FOR ANY DAMAGE TO THE ACCESSORY RESULTING FROM REASONABLE WEAR AND TEAR, OUTDOOR USE, MISUSE (INCLUDING USE OF THE PRODUCT FOR AN UNINTENDED APPLICATION), ABUSE, NEGLIGENCE OR IMPROPER OR INCORRECTLY PERFORMED INSTALLATION, MAINTENANCE OR REPAIR, INCLUDING FAILURE TO FOLLOW THE APPLICABLE INSTALLATION, CARE AND CLEANING INSTRUCTIONS. Notice to residents of the State of New Jersey: The provisions of this warranty, including its limitations, are intended to apply to the fullest extent permitted by the laws of the State of New Jersey.

**Additional Rights:** This warranty gives you specific legal rights, and you may also have other rights which vary from state/province to state/province. This is Delta Faucet Company's exclusive written warranty and the warranty is not transferable.

If you have any questions or concerns regarding our warranty, please contact us as provided above or view our Warranty FAQs at [www.deltafaucet.com](http://www.deltafaucet.com).

© 2023 Delta Faucet Company of Indiana

## GARANTÍA LIMITADA EN PRODUCTOS ACCESORIOS DELTA®

Los accesorios de Delta® están garantizados al comprador consumidor original o al comprador comercial, según corresponda, de no tener defectos de material y mano de obra durante el período aplicable que se especifica a continuación:

**Piezas y acabados de los accesorios Delta (excluyendo los accesorios para fregaderos):** Todas las piezas y acabados (excepto las piezas electrónicas y las pilas) de los accesorios de Delta, excepto los accesorios del fregadero, comprados a vendedores autorizados de Delta están garantizados para el comprador consumidor original no tener defectos de materiales y de mano de obra durante el tiempo que el comprador consumidor original es propietario de la casa en la que se instaló el accesorio por primera vez. Para compradores comerciales, (a) el período de garantía es de diez (10) años para aplicaciones residenciales multifamiliares y (b) cinco (5) años para todas las demás aplicaciones comerciales, en cada caso a partir de la fecha en que el comprador comercial original o su representante autorizado (contratista de instalación, etc.) recibió el producto. A los fines de esta garantía, el término "aplicación residencial multifamiliar" se refiere a la compra del accesorio a un vendedor autorizado de Delta por parte de un comprador que es propietario, pero no vive en la vivienda residencial en la que se instaló inicialmente el accesorio, como en una unidad individual alquilada o arrendada o en una vivienda unifamiliar de varias unidades (duplex o casa adosada), o en un condominio, edificio de apartamentos o centro de vivienda comunitaria. Las siguientes instalaciones no se consideran aplicaciones residenciales multifamiliares, están excluidas de la garantía de 10 años y están sujetas a la garantía de cinco años: instalaciones industriales, institucionales u otras instalaciones comerciales, como dormitorios, instalaciones de hospitalidad (hotel, motel o ubicación de estadía prolongada), aeropuerto, centro educativo, centro de atención médica a corto o largo plazo (hospital, centro de rehabilitación, enfermería, unidad de vivienda asistida o de atención por etapas), espacio público o área común.

**Piezas y acabados de los accesorios para fregaderos Delta:** Todas las piezas y acabados de los accesorios para fregaderos Delta comprados a vendedores autorizados de Delta están garantizados para el comprador original de no tener defectos de materiales y de mano de obra durante un (1) año a partir de la fecha en que el comprador original o su representante autorizado (contratista de instalación, etc.) recibió el producto.

**Piezas y acabados para accesorios recertificados de Delta:** Delta Faucet Company ofrece a la venta en [deltafaucet.com](http://deltafaucet.com) Accesorios Recertificados de Delta. Todas las piezas (a excepción de las piezas electrónicas y las baterías) y los acabados de estos Accesorios Recertificados de Delta (aparte de los Accesorios para fregadero) están garantizados al comprador consumidor original de no tener defectos de material y de mano de obra durante diez (10) años a partir de la fecha en que el comprador consumidor original o su representante autorizado (contratista de instalación, etc.) recibió el producto. Para compradores comerciales, el período de garantía es de un (1) año a partir de la fecha en que el comprador comercial original o su representante autorizado (contratista de instalación, etc.) recibió el producto. Los accesorios para el Fregadero Recertificado de Delta están garantizados al comprador original de estar libres de defectos de material y de mano de obra durante un (1) año a partir de la fecha en que el comprador original o su representante autorizado (contratista de instalación, etc.) recibió el producto.

**Partes electrónicas:** Las piezas electrónicas (que no sean las pilas), si las hubiera, de los accesorios de Delta comprados en [deltafaucet.com](http://deltafaucet.com) o a vendedores autorizados de Delta están garantizados al comprador consumidor original de estar libres de defectos de material y mano de obra durante dos (2) años a partir de la fecha en que el comprador consumidor original o su representante autorizado (contratista de instalación, etc.) recibió el producto o, para compradores comerciales, durante un (1) año a partir de la fecha en que el comprador comercial original o su representante autorizado (contratista de instalación, etc.) recibió el producto. Las pilas no están garantizadas.

**Lo que haremos:** Delta Faucet Company reparará o reemplazará, sin cargo, durante el período de garantía aplicable (como se describe anteriormente), cualquier pieza o acabado que resulte defectuoso en material y/o mano de obra en condiciones normales de instalación, uso y servicio. Si la reparación o el reemplazo no son prácticos, Delta Faucet Company puede optar por reembolsar el precio de compra a cambio de la devolución del producto. **Estos son sus remedios exclusivos.**

**Lo que no está cubierto:** Debido a que Delta Faucet Company no puede controlar la calidad de los productos Delta vendidos por vendedores no autorizados, a menos que la ley lo prohíba, esta garantía no cubre los productos Delta comprados a vendedores no autorizados. Esta garantía no cubre los cargos de mano de obra incurridos por el comprador para reparar, reemplazar, instalar o quitar este producto. Delta Faucet Company no será responsable de ningún daño al producto que resulte del uso y desgaste razonable, uso en exteriores, uso indebido (incluido el uso del producto para una aplicación no prevista), abuso, negligencia o instalación, mantenimiento o reparación inadecuados o realizados incorrectamente, incluido el incumplimiento de las instrucciones de instalación, cuidado y limpiezas correspondientes. También le recomendamos que utilice únicamente piezas de repuesto originales de Delta®.

**Lo que debe hacer para obtener el servicio de garantía o las piezas de repuesto:** Se puede hacer un reclamo de garantía y se pueden obtener piezas de repuesto llamando al 1-800-345-3358 o comunicándose con nosotros por correo o en línea de la siguiente manera (incluya su número de modelo, fecha de compra original y la documentación con la fecha cuando el comprador original o su representante autorizado (contratista de instalación, etc.) recibió el producto):

**En Estados Unidos y México:**  
Delta Faucet Company  
55 E. 111th Street  
Carmel, IN 46280  
Attention: Warranty Service  
[www.deltafaucet.com/service-parts/contact-us](http://www.deltafaucet.com/service-parts/contact-us)

**En Canadá:**  
Masco Canada Limited, Plumbing Group  
Technical Service Centre  
350 South Edgeware Road  
St. Thomas, Ontario, Canada N5P 4L1  
Attention: Customer Service  
<http://www.deltafaucet.ca/customersupport/assistance.html>

El comprobante de compra (el recibo de venta original que muestre la fecha de compra) y la documentación con la fecha cuando el comprador original o su representante autorizado (contratista de instalación, etc.) recibió el producto deben estar a disposición de Delta Faucet Company para todos los reclamos de garantía, a menos que el comprador haya registrado el producto con Delta Faucet Company o el producto es un producto Delta Recertified comprado en [deltafaucet.com](http://deltafaucet.com). Esta garantía se aplica solo a los accesorios de Delta fabricados después del 1 de enero de 2019 e instalados en los Estados Unidos de América, Canadá y México.

**Limitación de la duración de las garantías implícitas:** Tenga en cuenta que algunos estados/provincias (incluido Quebec) no permiten limitaciones sobre la duración de una garantía implícita, por lo que es posible que las siguientes limitaciones no se apliquen en su caso. EN LA MEDIDA MÁXIMA PERMITIDA POR LA LEY APLICABLE, CUALQUIER GARANTÍA IMPLÍCITA, INCLUIDAS LAS GARANTÍAS IMPLÍCITAS DE COMERCIABILIDAD E IDONEIDAD PARA UN FIN DETERMINADO, SE LIMITA AL PERÍODO LEGAL O A LA DURACIÓN DE ESTA GARANTÍA, EL QUE SEA MÁS BREVE.

**Limitación de Daños Especiales, Incidentales o Consecuentes:** Tenga en cuenta que algunos estados/provincias (incluido Quebec) no permiten la exclusión o limitación de daños especiales, incidentales o consecuentes, por lo que es posible que las siguientes limitaciones y exclusiones no se apliquen en su caso. EN LA MEDIDA MÁXIMA PERMITIDA POR LA LEY APLICABLE, ESTA GARANTÍA NO CUBRE Y DELTA FAUCET COMPANY NO SERÁ RESPONSABLE DE NINGÚN DAÑO ESPECIAL, INCIDENTAL O CONSECUENTE (INCLUIDOS LOS CARGOS DE MANO DE OBRA PARA REPARAR, REEMPLAZAR, INSTALAR O QUITAR ESTE PRODUCTO), YA SEA DERIVADO DEL INCUMPLIMIENTO DE CUALQUIER GARANTÍA EXPLÍCITA O IMPLÍCITA, INCUMPLIMIENTO DE CONTRATO, AGRAVIO U OTRO. DELTA FAUCET COMPANY NO SERÁ RESPONSABLE DE CUALQUIER DAÑO A LA LÍNEA DE SUMINISTRO QUE RESULTE DEL DESGASTE RAZONABLE, USO AL AIRE LIBRE, USO INCORRECTO (INCLUYENDO EL USO DEL PRODUCTO PARA UNA APLICACIÓN NO PREVISTA), ABUSO, NEGLIGENCIA O MONTAJE INAPROPIADO O INSTALACIÓN REALIZADA INCORRECTAMENTE, MANTENIMIENTO O REPARACIÓN, INCLUYENDO EL INCUMPLIMIENTO DE LAS INSTRUCCIONES DE INSTALACIÓN, CUIDADO Y LIMPIEZA CORRESPONDIENTES. Aviso para los residentes del Estado de Nueva Jersey: Las disposiciones de esta garantía, incluidas sus limitaciones, se aplicarán en la máxima medida permitida por las leyes del Estado de Nueva Jersey.

**Derechos adicionales:** Esta garantía le otorga derechos legales específicos, y es posible que también tenga otros derechos que varían de un estado/provincia a otro estado/provincia. Esta es la garantía escrita exclusiva de Delta Faucet Company, y la garantía no es transferible.

Si tiene alguna pregunta o inquietud con respecto a nuestra garantía, comuníquese con nosotros como se indicó anteriormente o visite en nuestro sitio web Preguntas Frecuentes FAQ en [www.deltafaucet.com](http://www.deltafaucet.com).

© 2023 Masco Corporación de Indiana

## GARANTIE LIMITÉE DES ACCESSOIRES DELTA®

Les accessoires Delta® sont protégés contre les défauts du matériau et les vices de fabrication par une garantie qui est consentie au premier acheteur au détail ou acheteur commercial. La durée de la garantie est précisée ci-après.

**Pièces et finis des accessoires Delta (sauf les accessoires d'évier):** Tous les pièces (autres que les composants électroniques et les piles) et les finis des accessoires Delta®, sauf les accessoires d'évier, achetés chez des vendeurs Delta autorisés sont protégés contre les défauts du matériau et les vices de fabrication par une garantie qui est consentie au premier acheteur au détail et qui demeure valide tant que celui-ci demeure propriétaire de la maison dans laquelle l'accessoire a été installé pour la première fois. En ce qui concerne les acheteurs commerciaux, la période de garantie est a) de dix (10) ans pour les applications résidentielles multifamiliales et b) de cinq (5) ans pour toutes les autres applications commerciales, à compter, dans chaque cas, de la date de réception du produit par le premier acheteur commercial ou son représentant autorisé (installateur, etc.). Dans le libellé de la présente garantie, on entend par « application résidentielle multifamiliale », un accessoire acheté chez un vendeur Delta autorisé par un acheteur qui est propriétaire d'un logement résidentiel sans l'habiter et installé la première fois dans cet immeuble. Il peut s'agir d'un immeuble individuel comportant un ou plus d'un logement loué (duplex ou maison en rangée), d'un condominium, d'un immeuble d'habitation ou d'un centre d'intégration communautaire. Les installations décrites ci-après ne sont pas considérées comme des applications multifamiliales et elles sont couvertes par la garantie de cinq ans plutôt que par la garantie de 10 ans. Ce sont les suivantes : accessoires installés dans un bâtiment industriel, un bâtiment institutionnel ou un autre immeuble commercial, notamment une résidence d'étudiants, un lieu d'hébergement (hôtel, motel ou lieu de séjour prolongé), un aéroport, un établissement d'enseignement, un établissement de soins de santé de courte ou de longue durée (hôpital, centre de réadaptation, maison de soins infirmiers), un endroit public ou un lieu commun.

**Pièces et finis des accessoires d'évier Delta:** Tous les pièces et les finis des accessoires d'évier Delta achetés de vendeurs Delta autorisés sont protégés contre les défauts du matériau et les vices de fabrication par une garantie consentie au premier acheteur qui est d'un (1) an à compter de la date de réception du produit par le premier acheteur ou son représentant autorisé (installateur, etc.).

**Pièces et finis pour les accessoires recertifiés Delta®:** Delta Faucet Company offre en vente sur [deltafaucet.com](http://deltafaucet.com) des accessoires recertifiés Delta®. Tous les pièces (autres que les composants électroniques et les piles) et les finis de ces accessoires recertifiés Delta® (sauf les accessoires d'évier) sont protégés contre les défauts du matériau et les vices de fabrication par une garantie consentie au premier acheteur au détail qui est d'une durée de dix (10) ans à compter de la date de réception du produit par le premier acheteur au détail ou son représentant autorisé (installateur, etc.). En ce qui concerne les acheteurs commerciaux, la durée de la garantie est d'un (1) an à compter de la date de réception du produit par le premier acheteur commercial ou son représentant autorisé (installateur, etc.). Les accessoires d'évier recertifiés Delta sont protégés contre les défauts du matériau et les vices de fabrication par une garantie consentie au premier acheteur qui est d'une durée d'un (1) an à compter de la date de réception du produit par le premier acheteur ou son représentant autorisé (installateur, etc.).

### Composants électroniques:

**Les composants électroniques (autres que les piles) des accessoires Delta® qui ont été achetés chez des vendeurs Delta autorisés sont protégés contre les défauts du matériau et les vices de fabrication par une garantie consentie au premier acheteur au détail qui est de deux (2) ans à compter de la date de réception du produit par le premier acheteur au détail ou son représentant autorisé (installateur, etc.). En ce qui concerne les acheteurs commerciaux, la période de garantie est d'un (1) an à compter de la date de réception du produit par le premier acheteur commercial ou son représentant autorisé (installateur, etc.). Les piles ne sont pas couvertes par la garantie.**

**Ce que nous ferons:** Delta Faucet Company réparera ou remplacera gratuitement, pendant la période de garantie applicable (décrite ci-dessus), toute pièce ou tout fini qui présentera une déficience de matériau et/ou un vice de fabrication pour autant que le produit ait été installé, utilisé et entretenu normalement. S'il n'est pas utile de réparer ou de remplacer le produit, Delta Faucet Company pourra rembourser le prix d'achat en échange du produit retourné. Il s'agit de vos seuls recours.

Ce qui n'est pas couvert: Étant donné que Delta Faucet Company n'est pas en mesure de contrôler la qualité des produits vendus par des vendeurs non autorisés, la présente garantie ne s'applique pas aux produits Delta vendus par des vendeurs non autorisés, à moins que cette restriction ne soit interdite par la loi. La présente garantie ne couvre pas les frais de main-d'œuvre encourus par l'acheteur pour la réparation, le remplacement, l'installation ou la dépose de ce produit. Delta Faucet Company se dégage de toute responsabilité à l'égard de toute détérioration du produit résultant d'une usure raisonnable et des dommages causés par une utilisation à l'extérieur, un mauvais usage (y compris l'utilisation du produit à des fins autres que celles auxquelles il est destiné), un usage abusif, la négligence ou l'utilisation d'une méthode d'installation, de maintenance ou de réparation incorrecte ou inadéquate, y compris les dommages résultant du non-respect des instructions d'installation, de nettoyage et d'entretien applicables. Nous vous recommandons également d'utiliser uniquement des pièces de rechange Delta® authentiques.

**Ce que vous devez faire pour vous prévaloir de la garantie ou obtenir des pièces de rechange:** Vous pouvez présenter une réclamation en vertu de la garantie et obtenir des pièces de rechange en appelant au 1-800-345-3358 ou en communiquant avec nous à l'une des adresses postales ou des adresses de courriel indiquées ci-dessous (veuillez fournir le numéro de modèle, la date d'achat initiale et la documentation attestant la date de réception du produit par le premier acheteur ou son représentant autorisé (installateur, etc.)).

### Aux États-Unis et au Mexique

Delta Faucet Company  
55 E. 111th Street  
Carmel, IN 46280  
Attention: Warranty Service  
[www.deltafaucet.com/service-parts/contact-us](http://www.deltafaucet.com/service-parts/contact-us)

### Au Canada:

Masco Canada Limited, Groupe plomberie  
Centre de services techniques  
350, chemin South Edgeware  
St. Thomas (Ontario) Canada N5P 4L1  
À l'attention du Service à la clientèle  
<http://www.deltafaucet.ca/customersupport/assistance.html>

**La preuve d'achat (original du reçu montrant la date d'achat) et la documentation attestant la date de réception du produit par le premier acheteur ou son représentant autorisé (installateur, etc.) doivent être présentées à Delta Faucet Company pour toutes les réclamations en vertu de la garantie, sauf si le produit a été enregistré auprès de Delta Faucet Company ou s'il s'agit d'un produit recertifié Delta® qui a été acheté de [deltafaucet.com](http://deltafaucet.com). La présente garantie s'applique uniquement aux accessoires Delta® fabriqués après le 1er janvier 2019 et installés aux États-Unis d'Amérique, au Canada et au Mexique.**

**Limitation de la durée des garanties implicites:** Veuillez noter qu'il est interdit, dans certains États ou certaines provinces (y compris le Québec), de limiter la durée d'une garantie implicite. Par conséquent, les limitations mentionnées ci-dessous peuvent ne pas s'appliquer à vous. DANS TOUTE LA MESURE DE CE QUI EST PERMIS PAR LA LOI APPLICABLE, TOUTES LES GARANTIES IMPLICITES, Y COMPRIS LES GARANTIES IMPLICITES DE QUALITÉ MARCHANDE ET D'ADÉQUATION À UN USAGE PARTICULIER, SE LIMITENT À LA PÉRIODE FIXÉE PAR LA LOI OU À LA DURÉE DE LA PRÉSENTE GARANTIE, LA PLUS COURTE DES DEUX PÉRIODES S'APPLIQUANT.

**Limitation des dommages particuliers, consécutifs ou indirects:** Veuillez noter qu'il est interdit, dans certains États ou certaines provinces (y compris le Québec), d'exclure ou de limiter les dommages particuliers, consécutifs ou indirects. Par conséquent, les limitations et les exclusions mentionnées ci-dessous peuvent ne pas s'appliquer à vous. DANS TOUTE LA MESURE DE CE QUI EST PERMIS PAR LA LOI APPLICABLE, DELTA FAUCET COMPANY SE DÉGAGE DE TOUTE RESPONSABILITÉ À L'ÉGARD DE TOUTE DÉTÉRIORATION DE L'ACCESSOIRE RÉSULTANT D'UNE USURE RAISONNABLE ET DES DOMMAGES CAUSÉS PAR UNE UTILISATION À L'EXTÉRIEUR, UN MAUVAIS USAGE (Y COMPRIS L'UTILISATION DU PRODUIT À DES FINS AUTRES QUE CELLES AUXQUELLES IL EST DESTINÉ), UN USAGE ABUSIF, LA NÉGLIGENCE OU L'UTILISATION D'UNE MÉTHODE D'INSTALLATION, DE MAINTENANCE OU DE RÉPARATION INCORRECTE OU INADÉQUATE, Y COMPRIS LES DOMMAGES RÉSULTANT DU NON-RESPECT DES INSTRUCTIONS D'INSTALLATION, D'ENTRETIEN ET DE NETTOYAGE APPLICABLES, ET CES DOMMAGES NE SONT PAS COUVERTS PAR LA GARANTIE. Avis à l'intention des résidents de l'État du New Jersey : Les dispositions de la présente garantie, y compris ses limitations, s'appliquent dans toute la mesure permise par les lois de l'État du New Jersey.

**Droits supplémentaires:** La présente garantie vous procure des droits particuliers reconnus par la loi. Vous pouvez avoir d'autres droits qui varient selon l'État ou la province. La présente garantie écrite est la seule garantie offerte par Delta Faucet Company et elle n'est pas transférable.

Si vous avez des questions ou des préoccupations concernant notre garantie, veuillez communiquer avec nous de la manière indiquée ci-dessus ou consulter notre FAQ sur la garantie à [www.deltafaucet.com](http://www.deltafaucet.com).

© 2023 Masco Société de l'Indiana