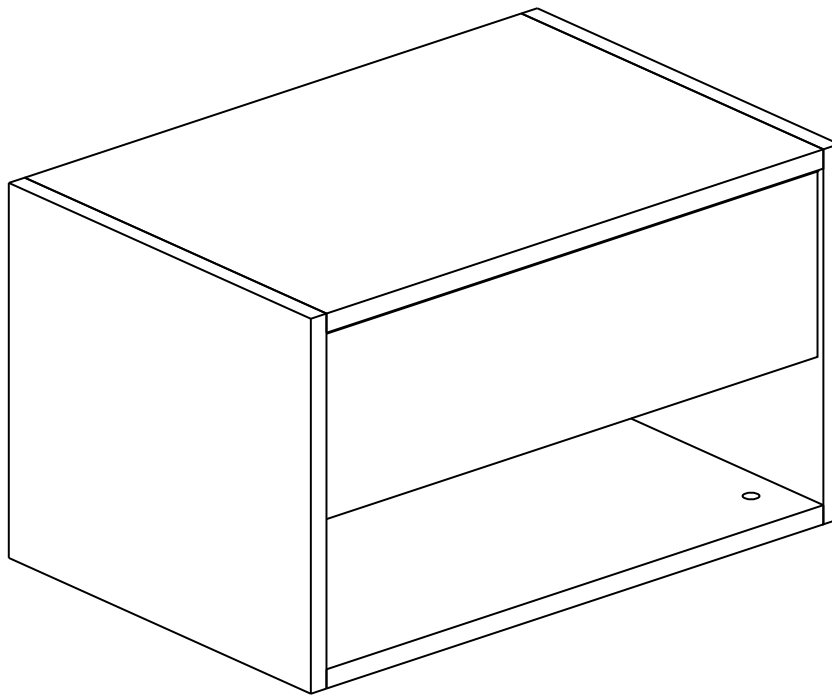
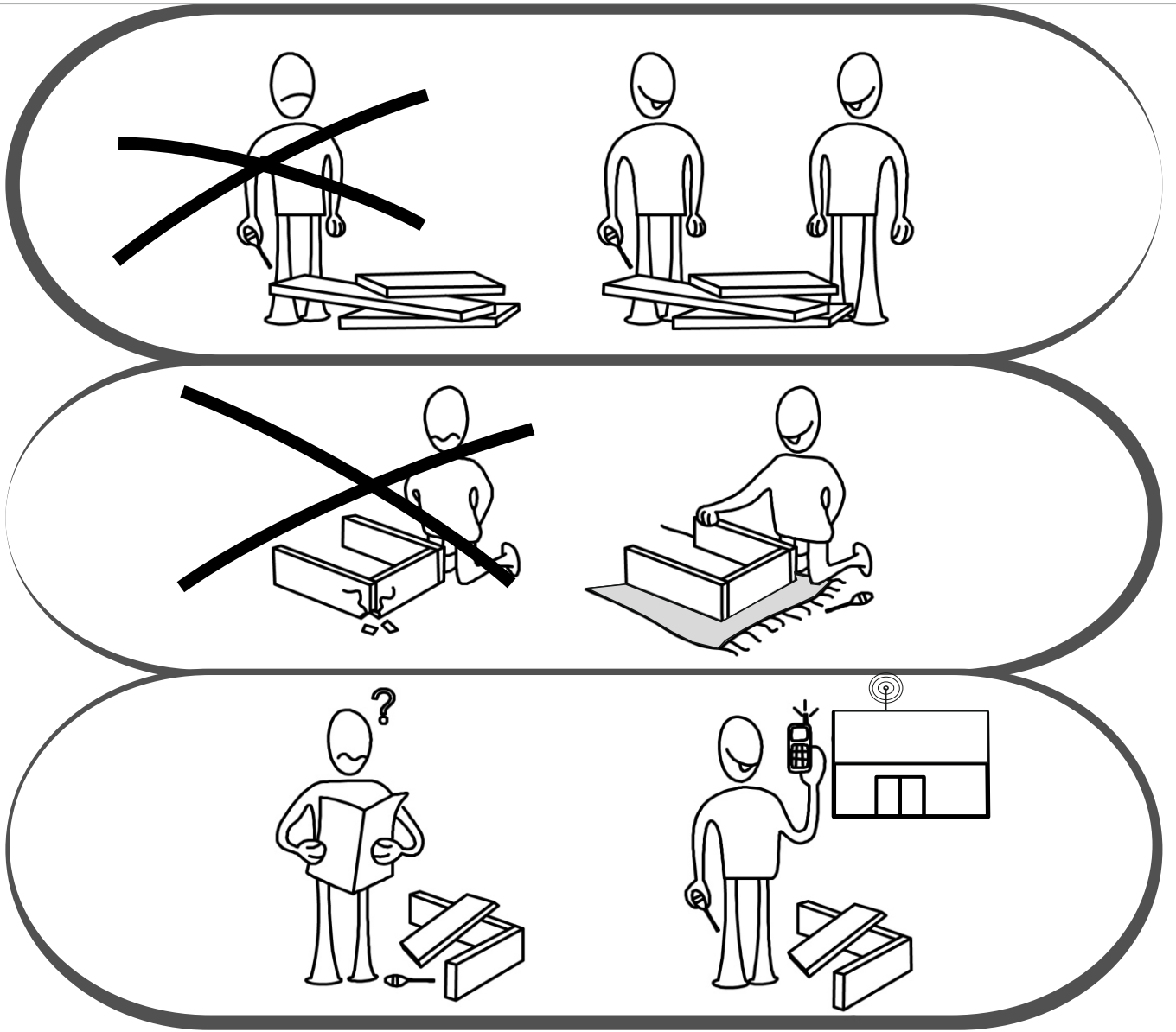

ASSEMBLY MANUEL



In order to provide better service to you again and gain to the production process of the use of non-recycled waste material support, please let us ... Let us preserve the environment for a better WORLD... Thank you for choosing us :)



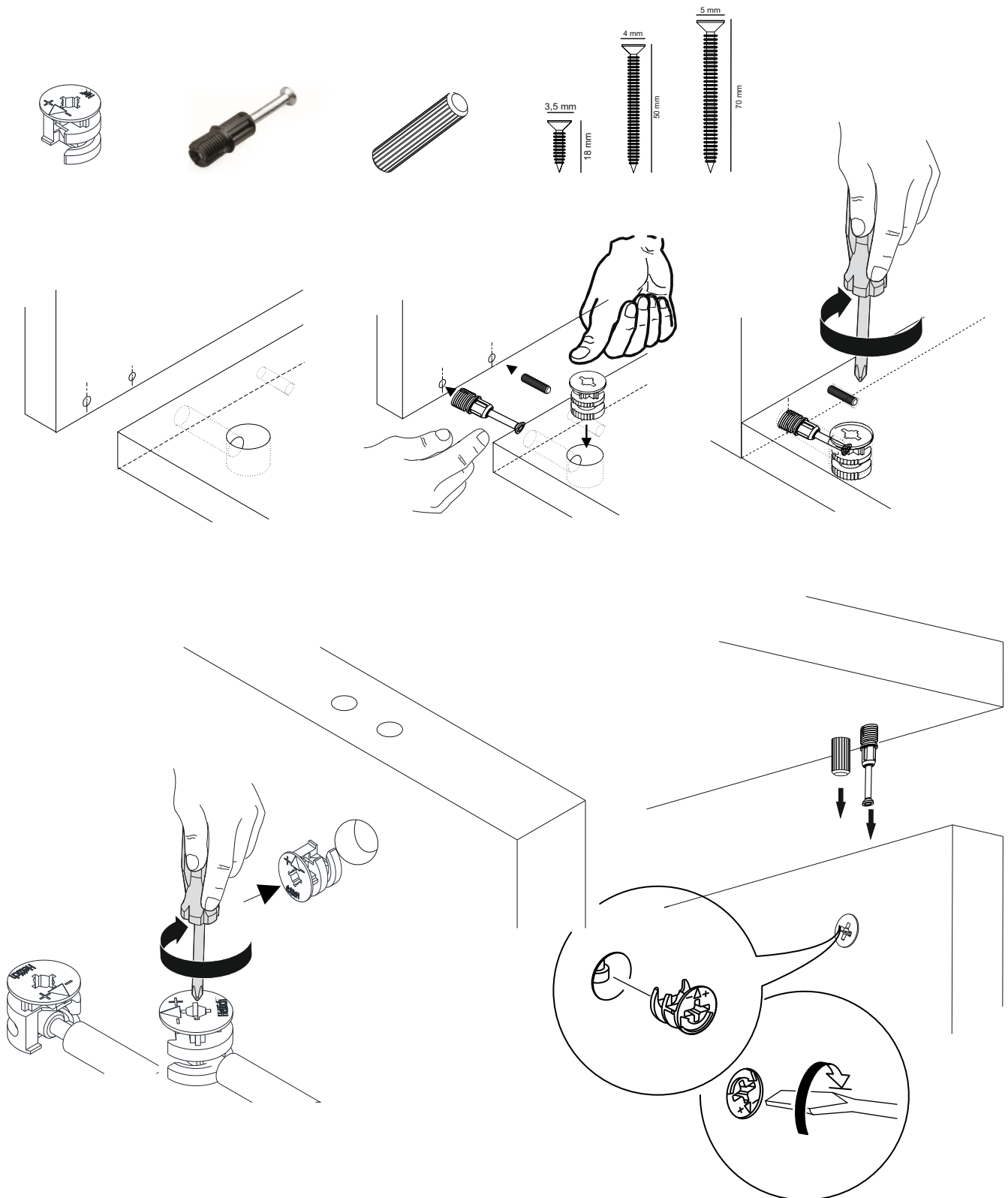
Dear Customer,

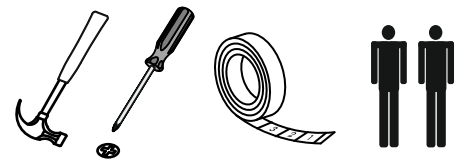
The product you bought was subjected to all sorts of tests and control before sending out to you. Even in this situation, sometimes happen that some component is damaged during the transportation. In such case please do not send the whole article back to us. Just request/order the damaged part. While requesting the required part, describe it exactly by looking to service card. Missing part will be sent to you as soon as possible. Before start assembling, please check the whole components and accessories according to the lists. After being sure that every part and accessory are okay and right, start assembling. Before start assembling, please clean all the components with a damp cloth. If you bought more than one product, to prevent confusion be sure that you completed the first product. Then start the other product's assembling. Never draw the products. While carrying, disassociate and lift the product and carry with minimum 2 people. For long distances carry the product with the package.

It is very easy to clean the surfaces of your product. It is enough to wipe with a damp and soapy cloth or other household cleaners. Do not directly contact your furniture with excessive heat, cold and humidity because the product can be affected.

ATTENTION!!

Minifix is the main connection material used in products.
Before starting assembly, please check the drawings below...



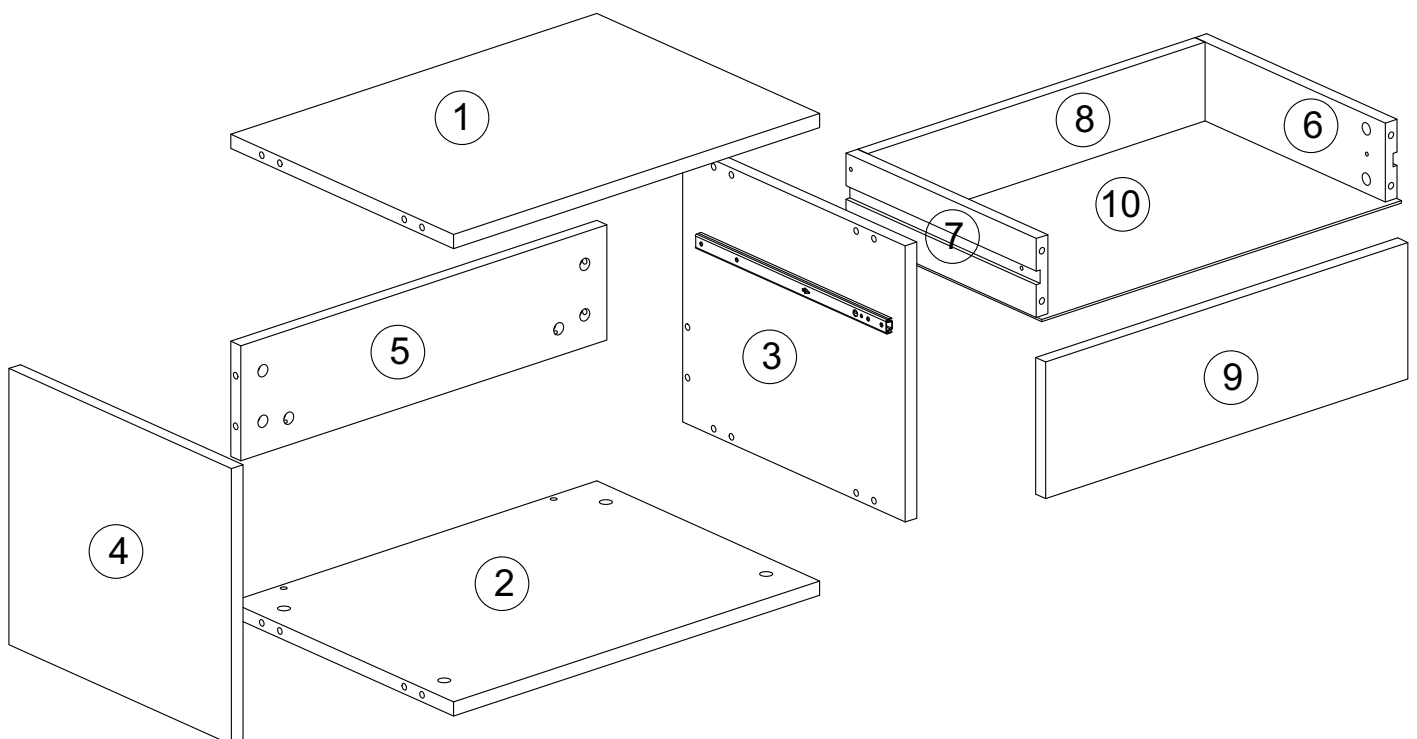


The necessary tools (not included)

ACCESSORY LIST

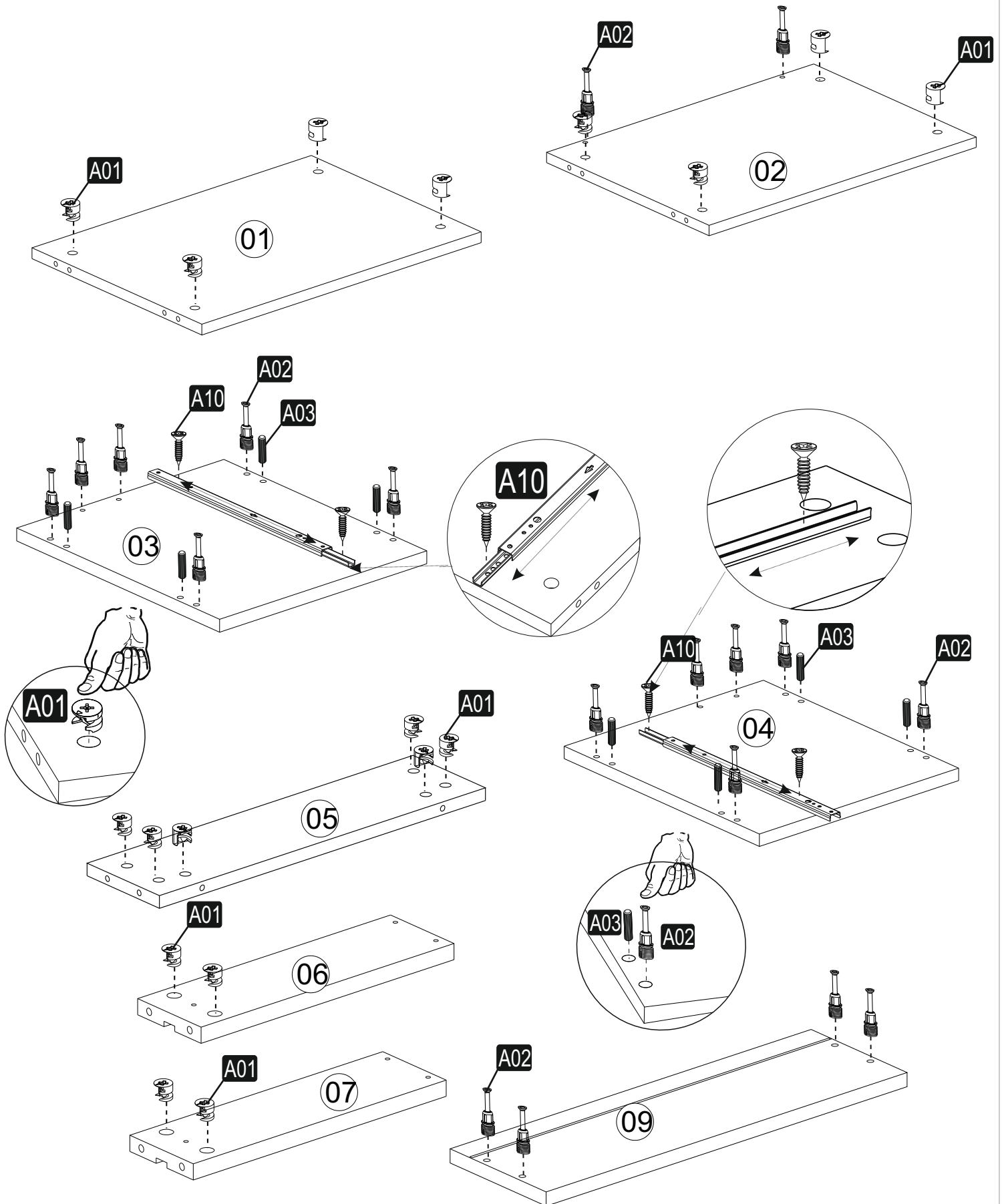
A01 18x	A02 18x	A03 8x	D54 17mm 342 mm 1x	D09 M4x15 YHB 2x
A28 17x	A10 3,5x18 YHB 12x	A09 4x50 YHB 4x	A16 A 4x	A04 A 18x
A41 4x	E34 4x	D82 5x50 YHB 4x		

GENERAL VIEW

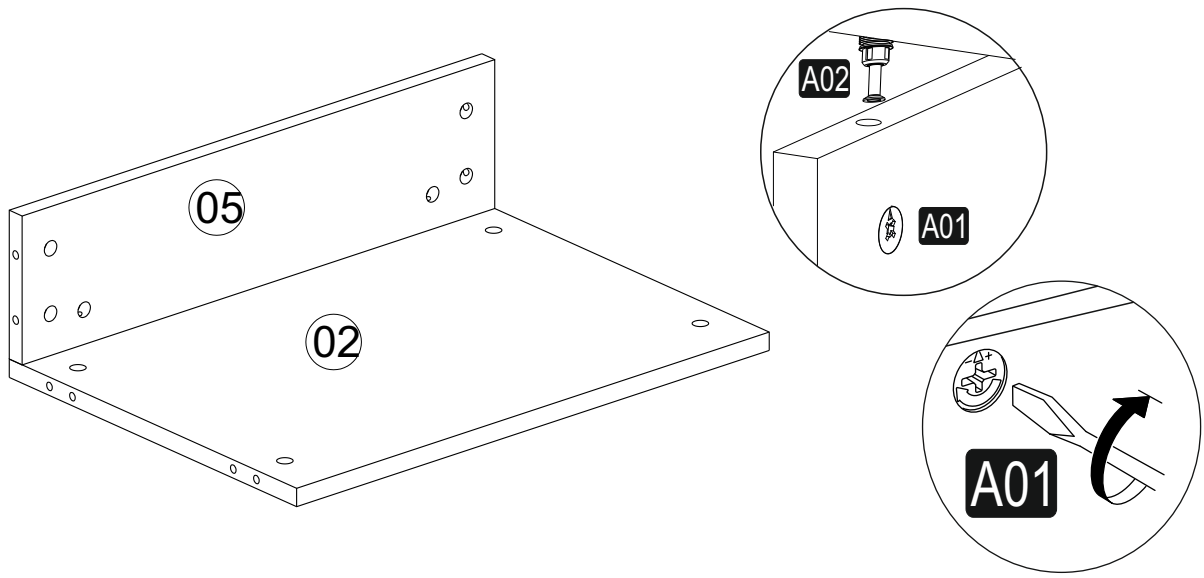


ASSEMBLY MANUAL

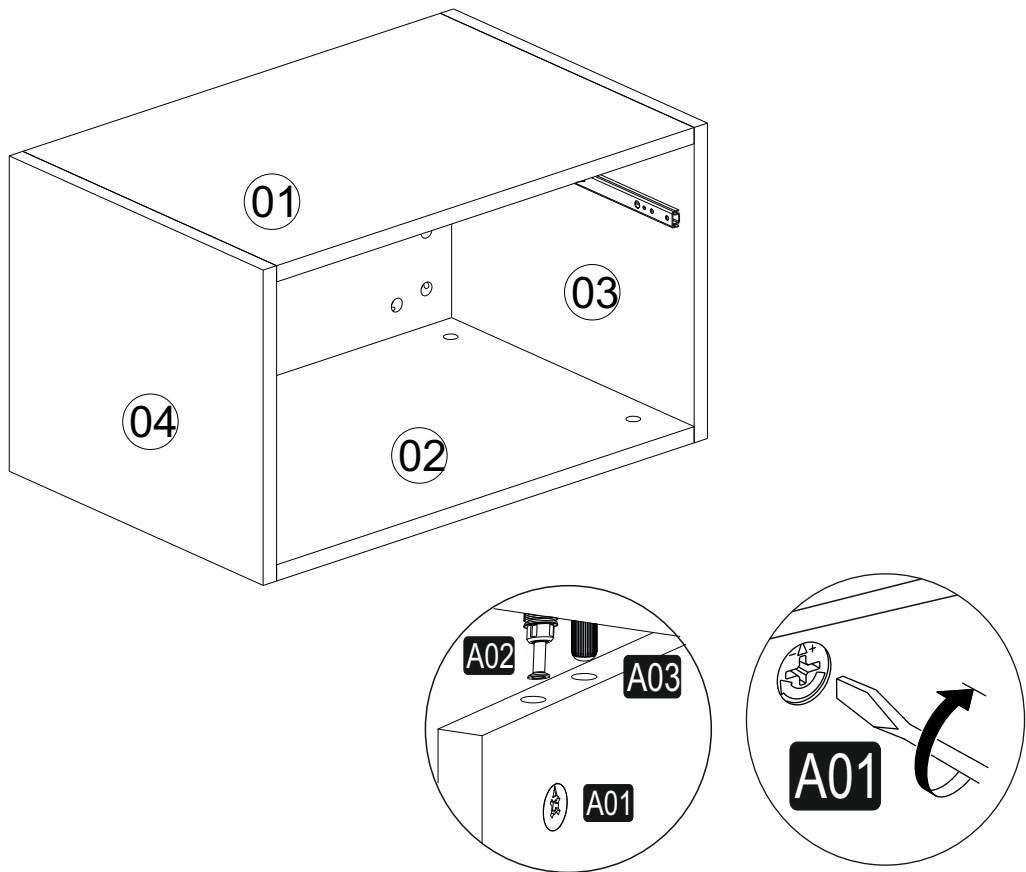
1



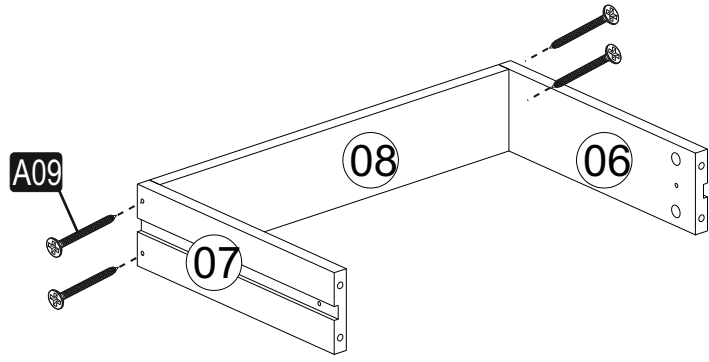
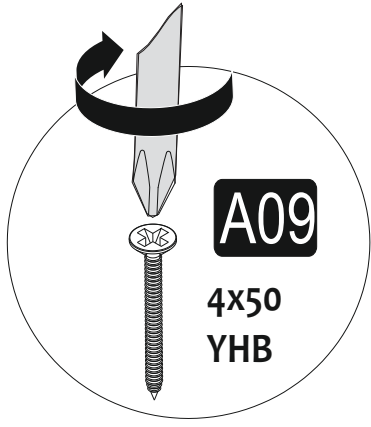
2



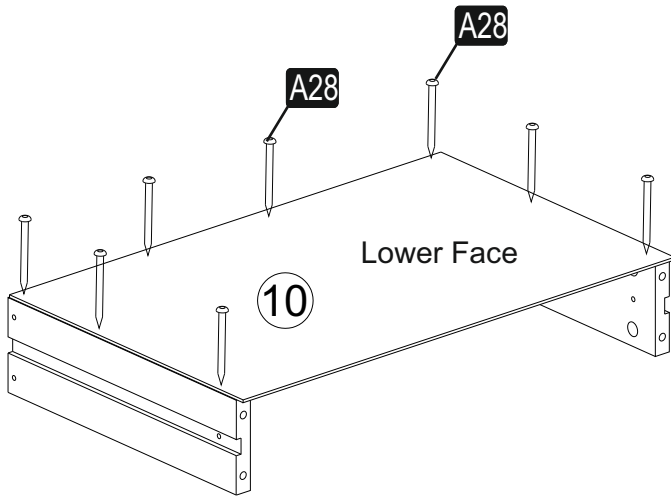
3



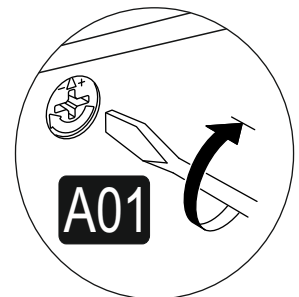
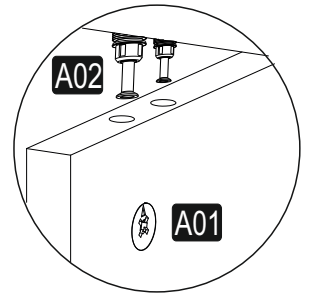
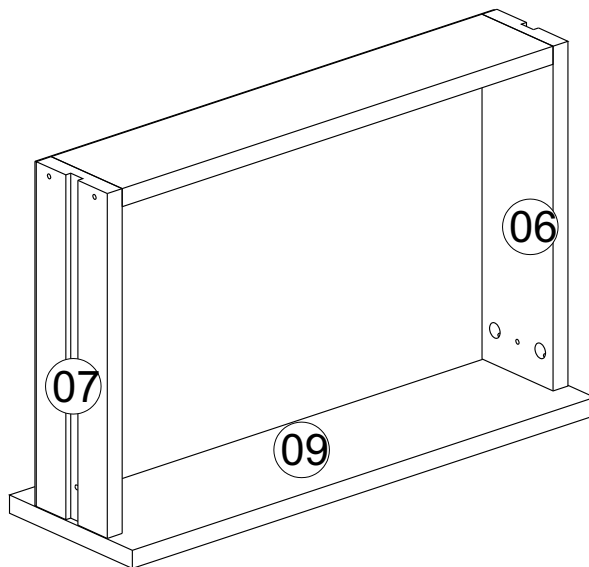
4



5

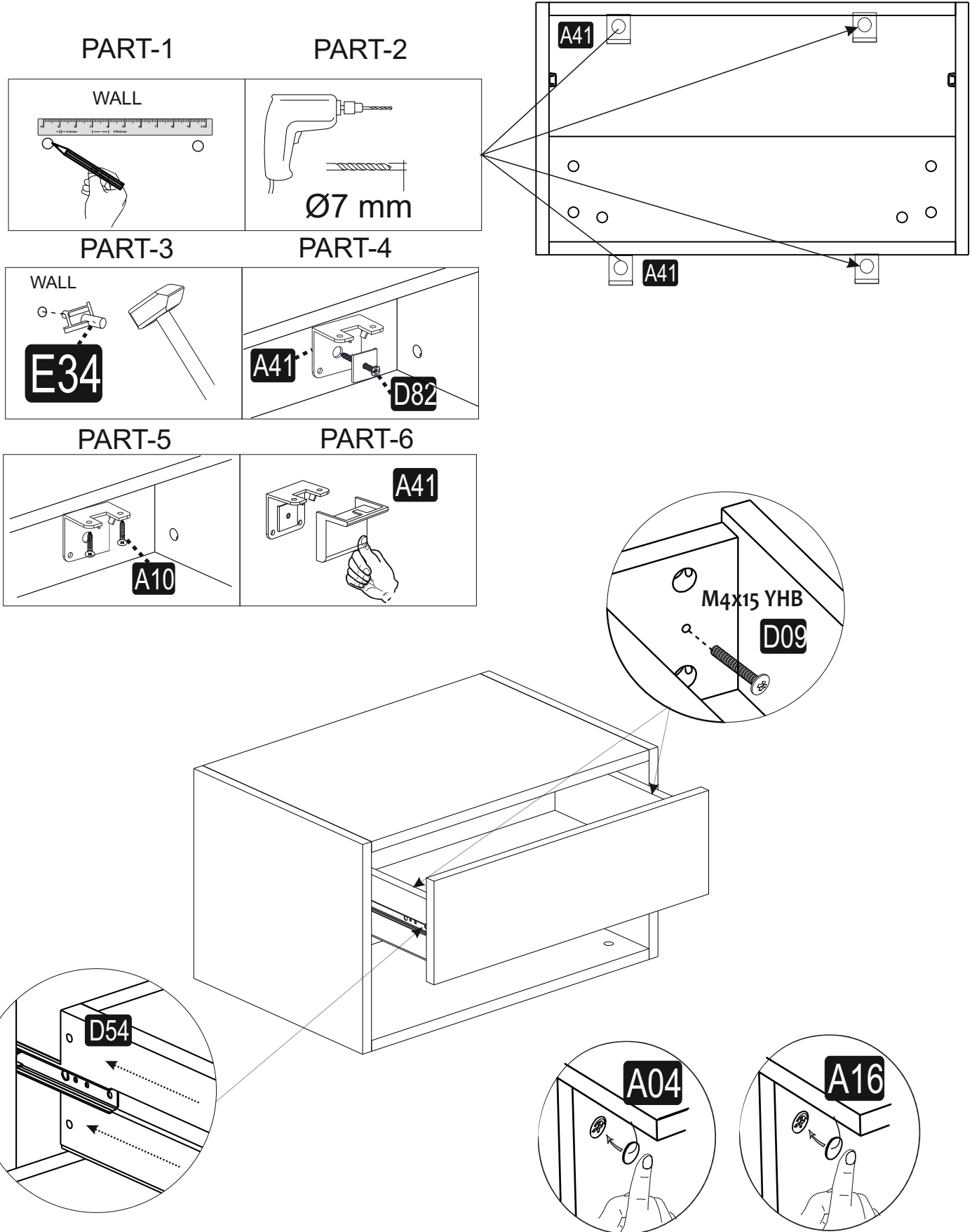


6



7

"After determining the secure screw areas on the wall and marking the key holes to be mounting ,attached the brackets to the unit by matching the same size (A41) on the product. reference the assembly guide and please follow the instructions."



Have you seen our other products ?