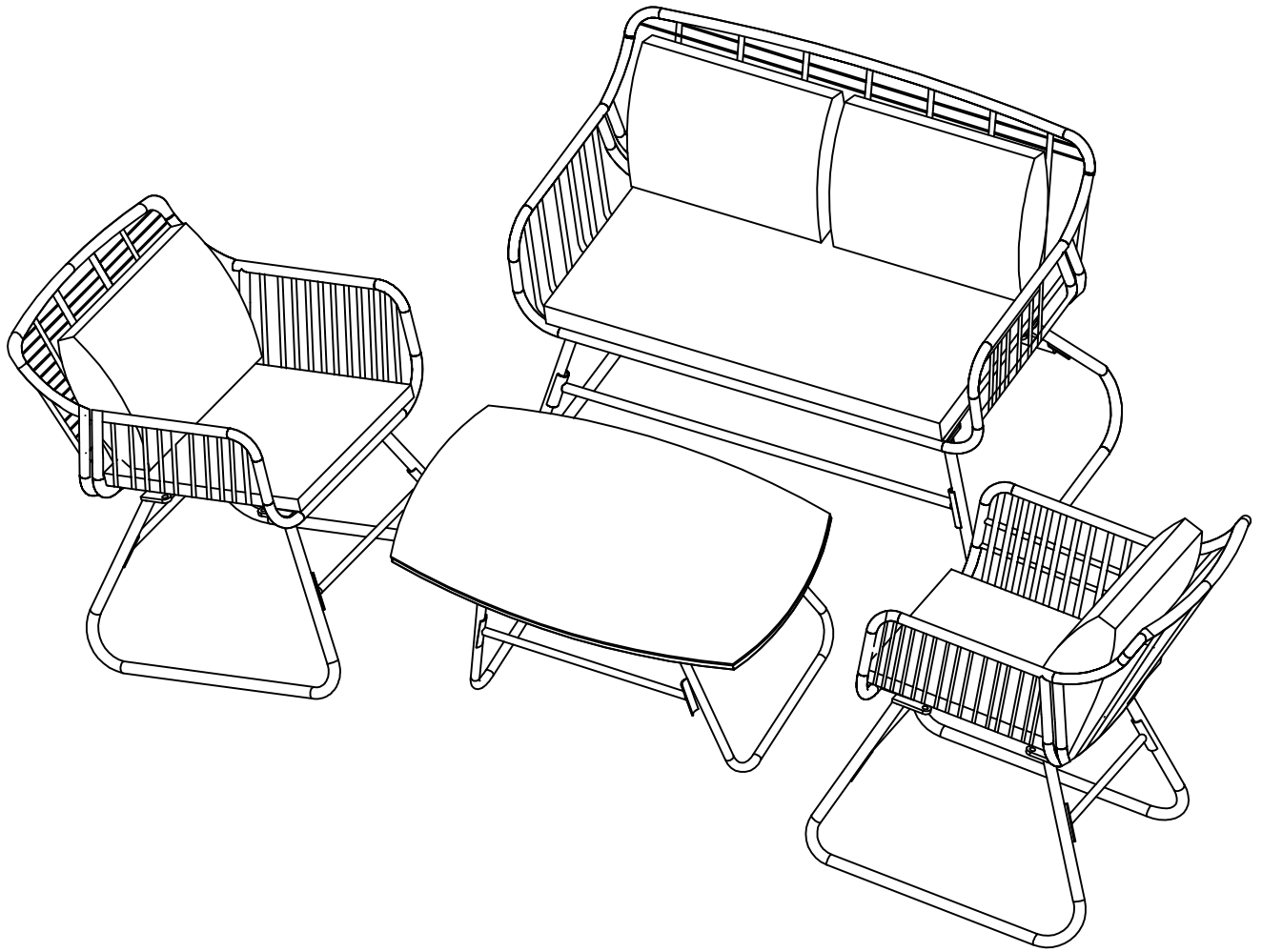
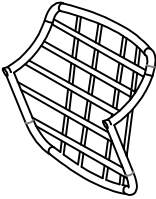
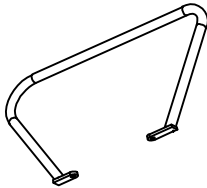
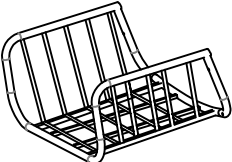
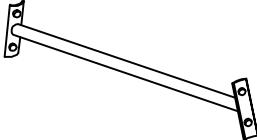
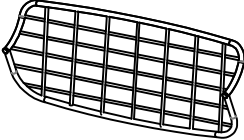
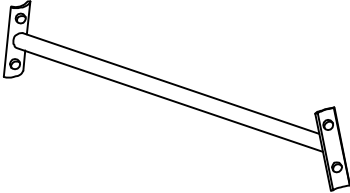
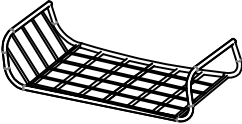
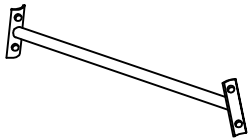
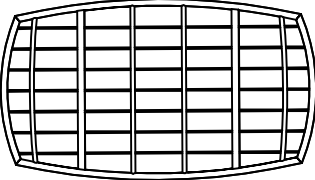

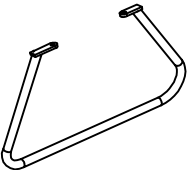
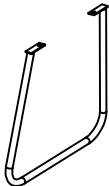
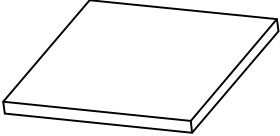
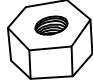
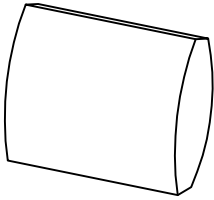
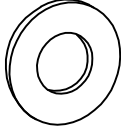
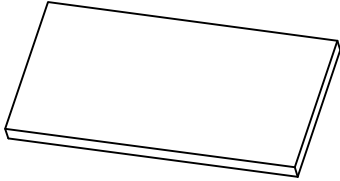

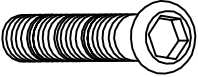


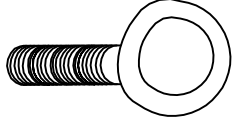



Assembly Instruction



- ⚠ 1. Confirm all parts are present prior to assembly.
- 2. Assemble on a flat, clean and soft surface.
- 3. Do not fully tighten screws until all parts are assembled.

Item no.	Reference Image	Qty.	Item no.	Reference Image	Qty.
A		X2	G		X3
B		X2	H		X4
C		X1	I		X2
D		X1	J		X2
E		X1	K		X1
F		X3	L		X2

Item no.	Reference Image	Qty.	Item no.	Reference Image	Qty.
M		X2	R		X13
N		X4	S	 Φ14XΦ6.5X1mm	X74
O		X1	T		X1
P	 M6X50mm	X13	U		X1
Q	 M6X15mm	X36	V		X16
Q1	 M6X20mm	X12			

1



Ⓐ 2pcs



Ⓑ 2pcs



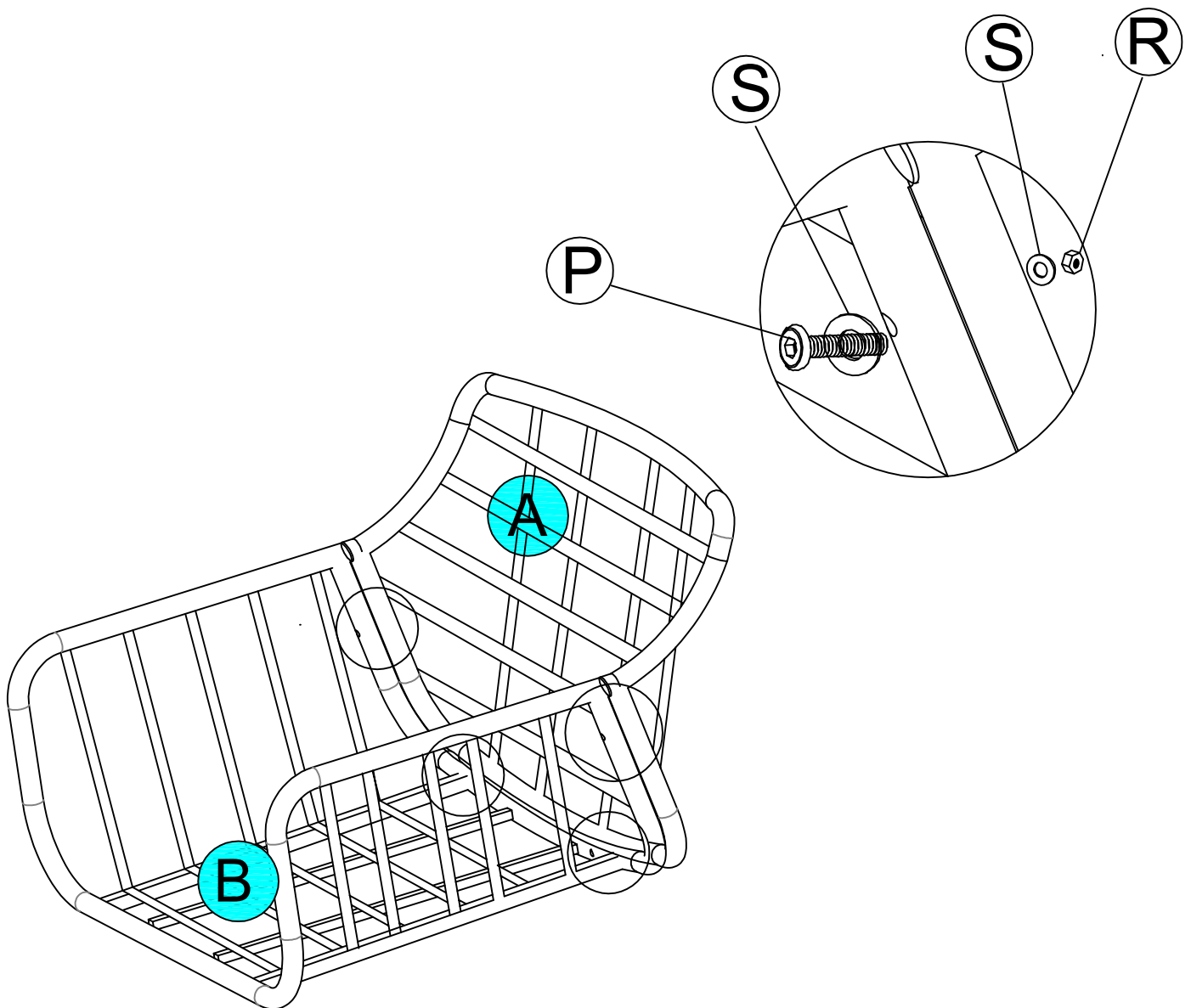
Ⓟ 8pcs



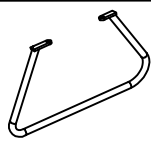
Ⓢ 16pcs



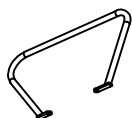
Ⓡ 8pcs



2



F 2pcs



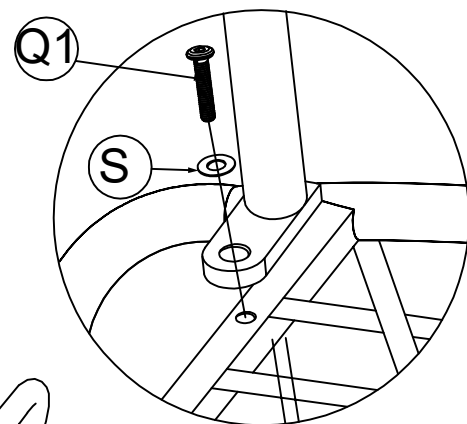
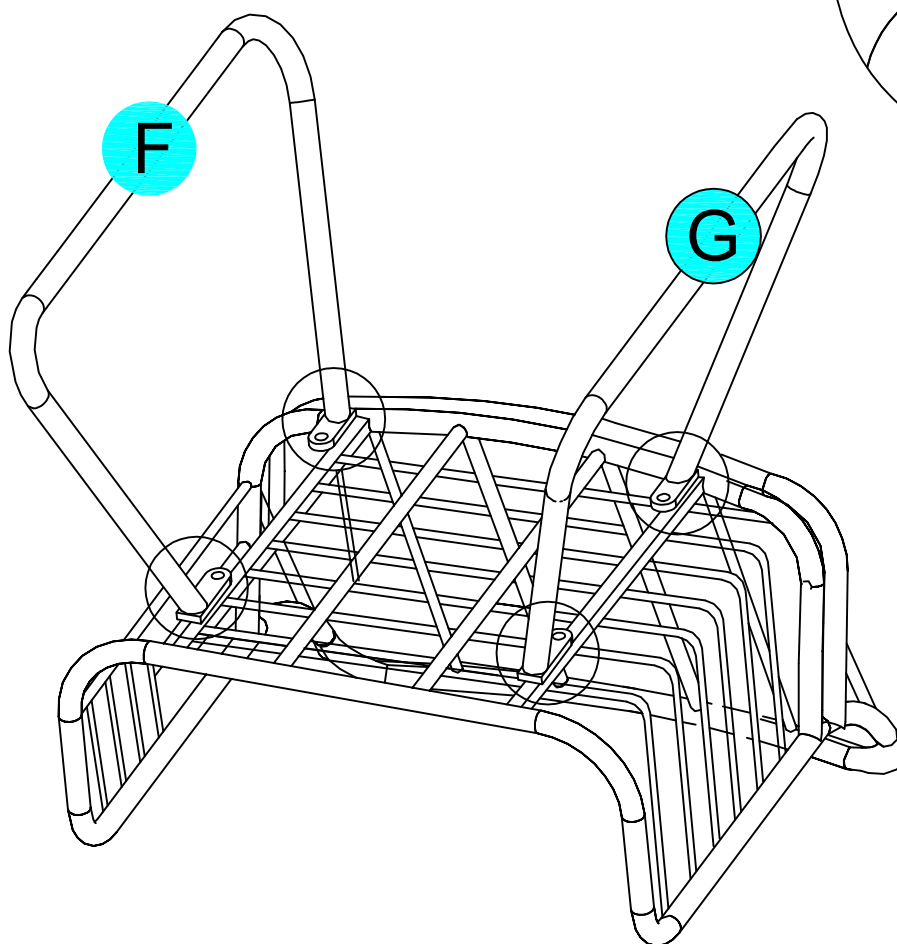
G 2pcs



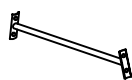
Q1 8pcs



S 8pcs



3

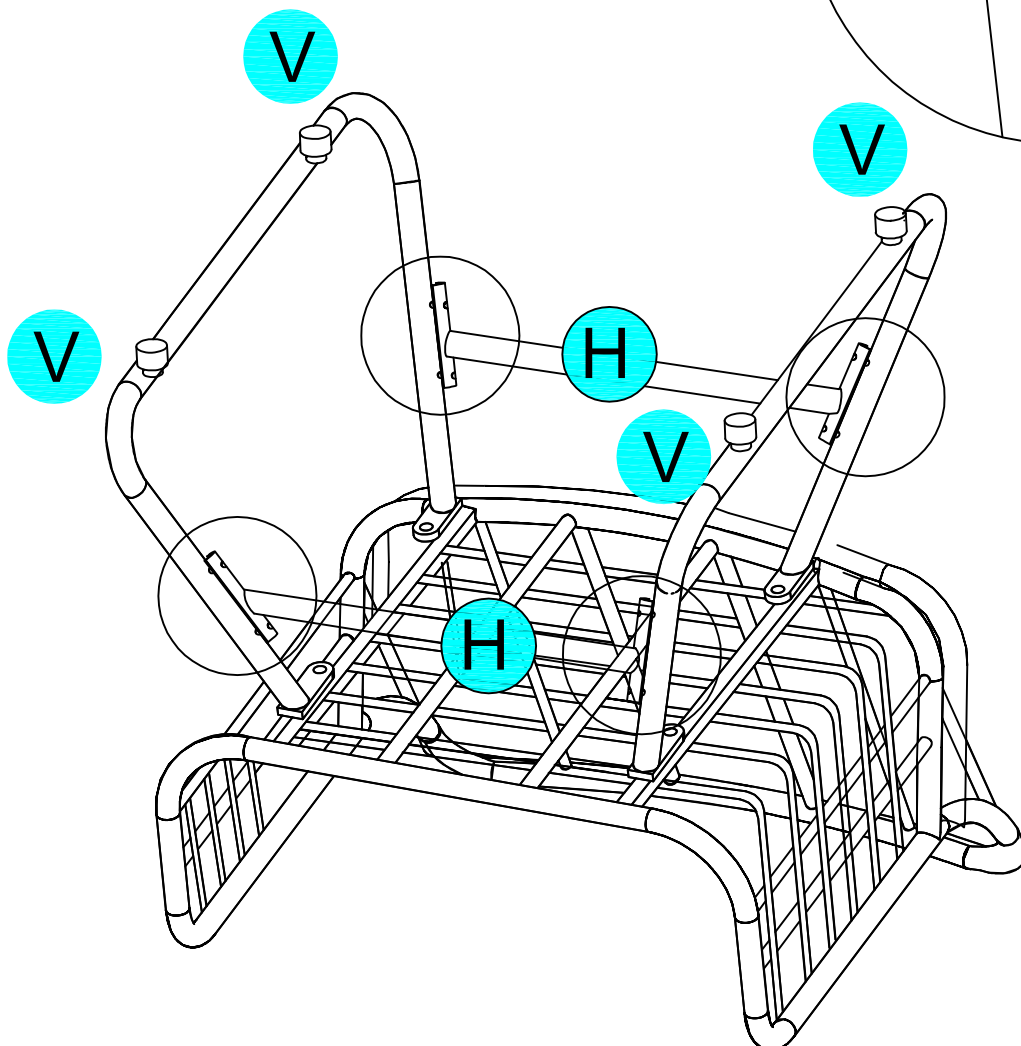
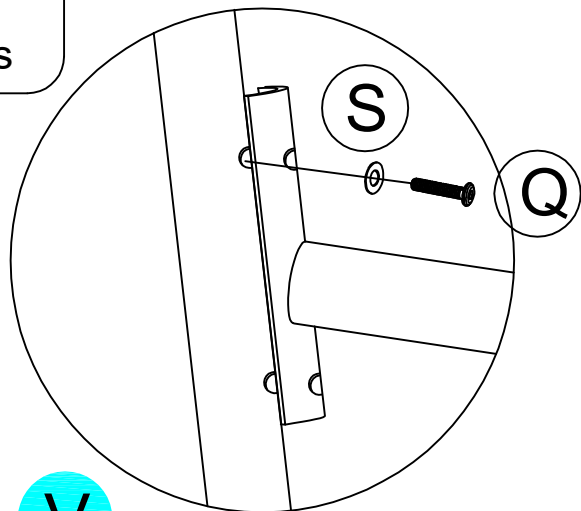


H 4pcs

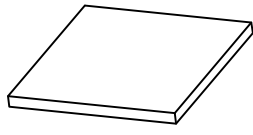
Q 16pcs

V 8pcs

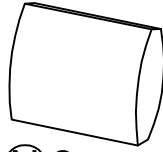
S 16pcs



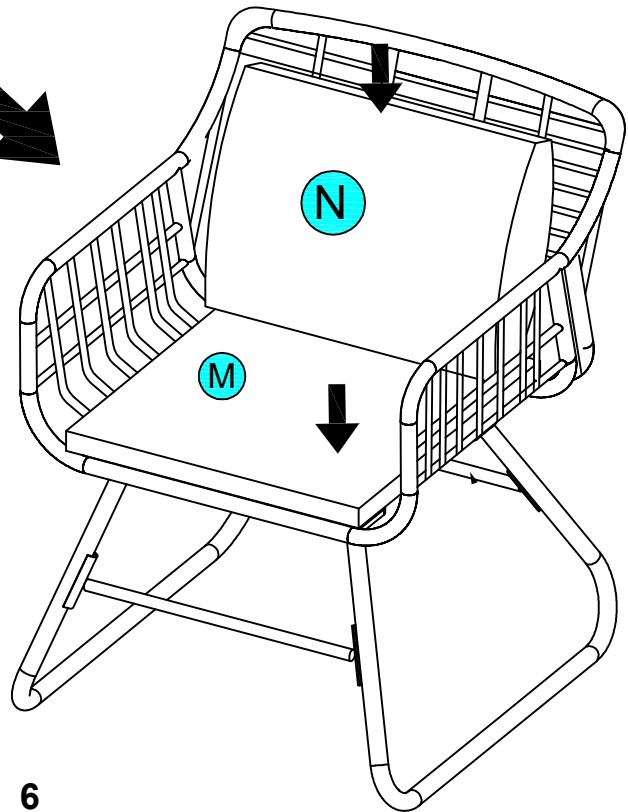
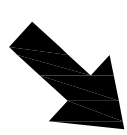
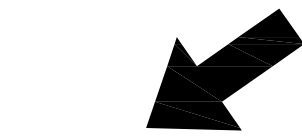
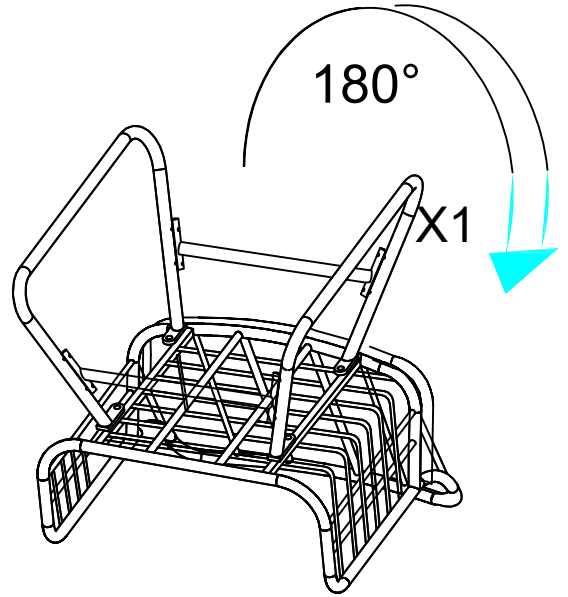
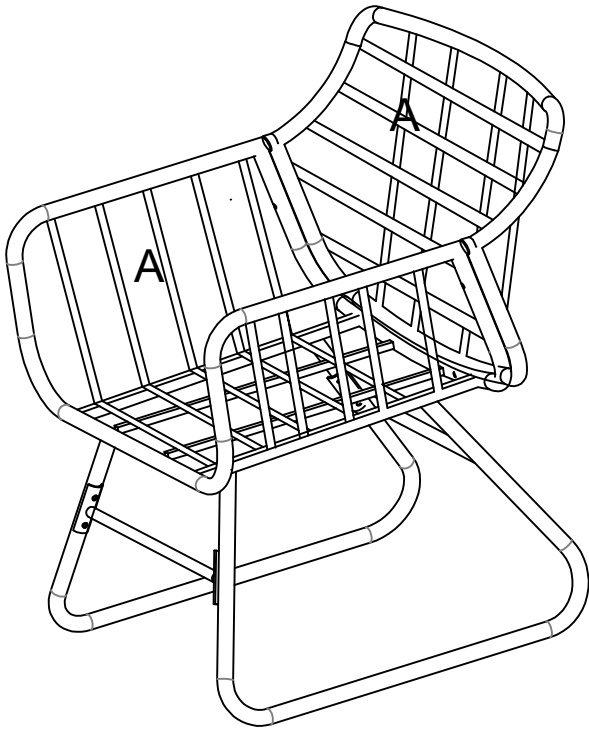
4



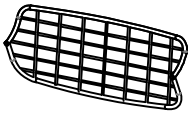
(M) 2pcs



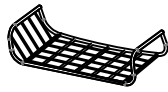
(N) 2pcs



5



Ⓒ 1pcs



Ⓓ 1pcs



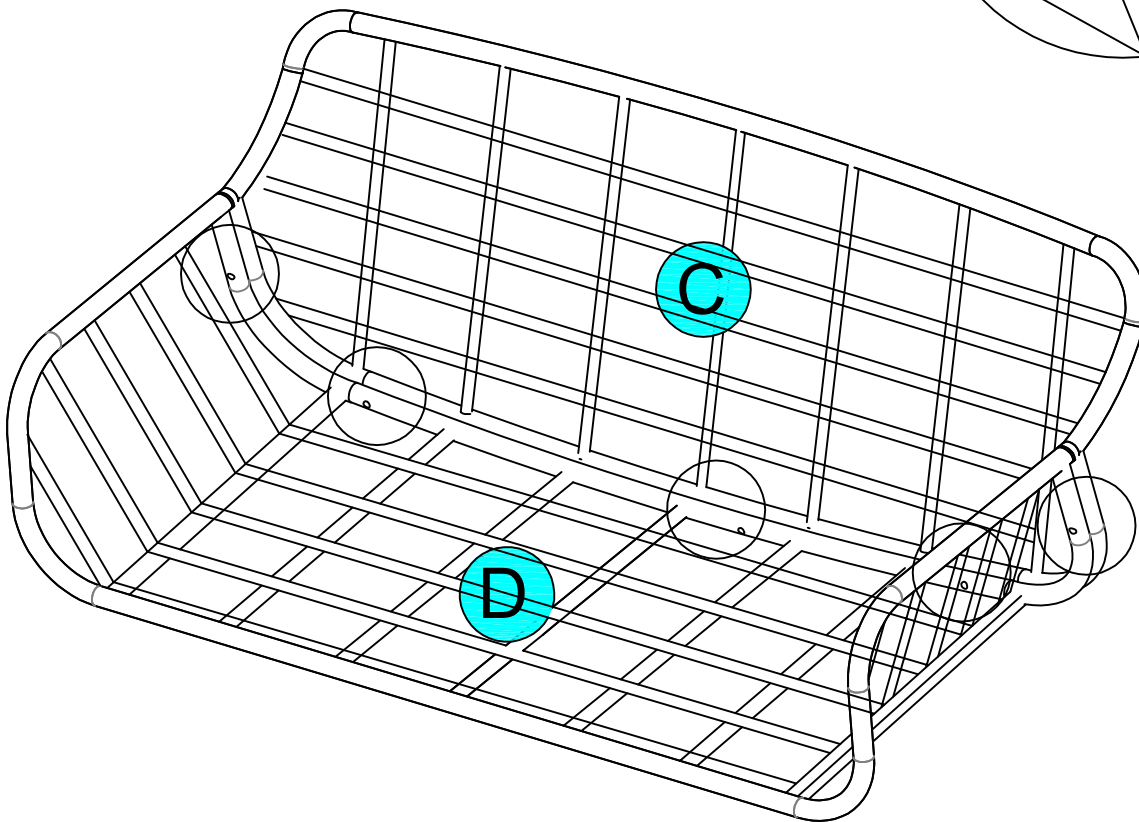
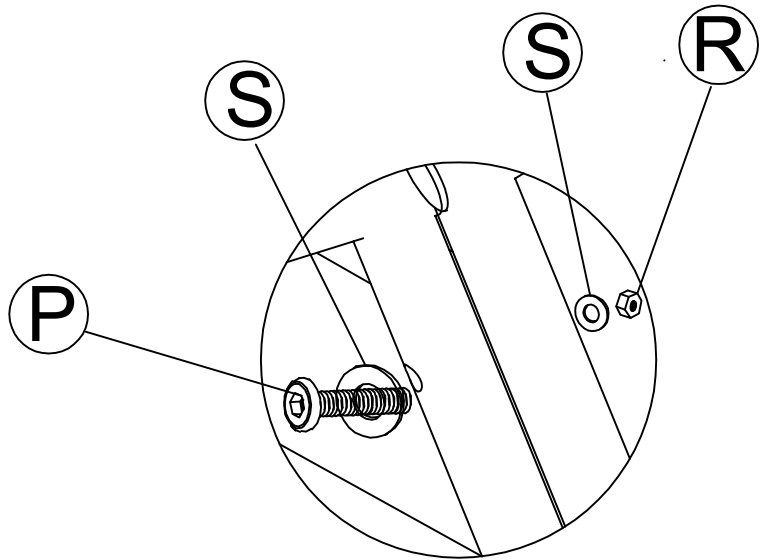
⒫ 5pcs



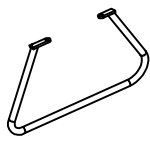
Ⓔ 10pcs



Ⓖ 5pcs



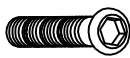
6



F 1pcs



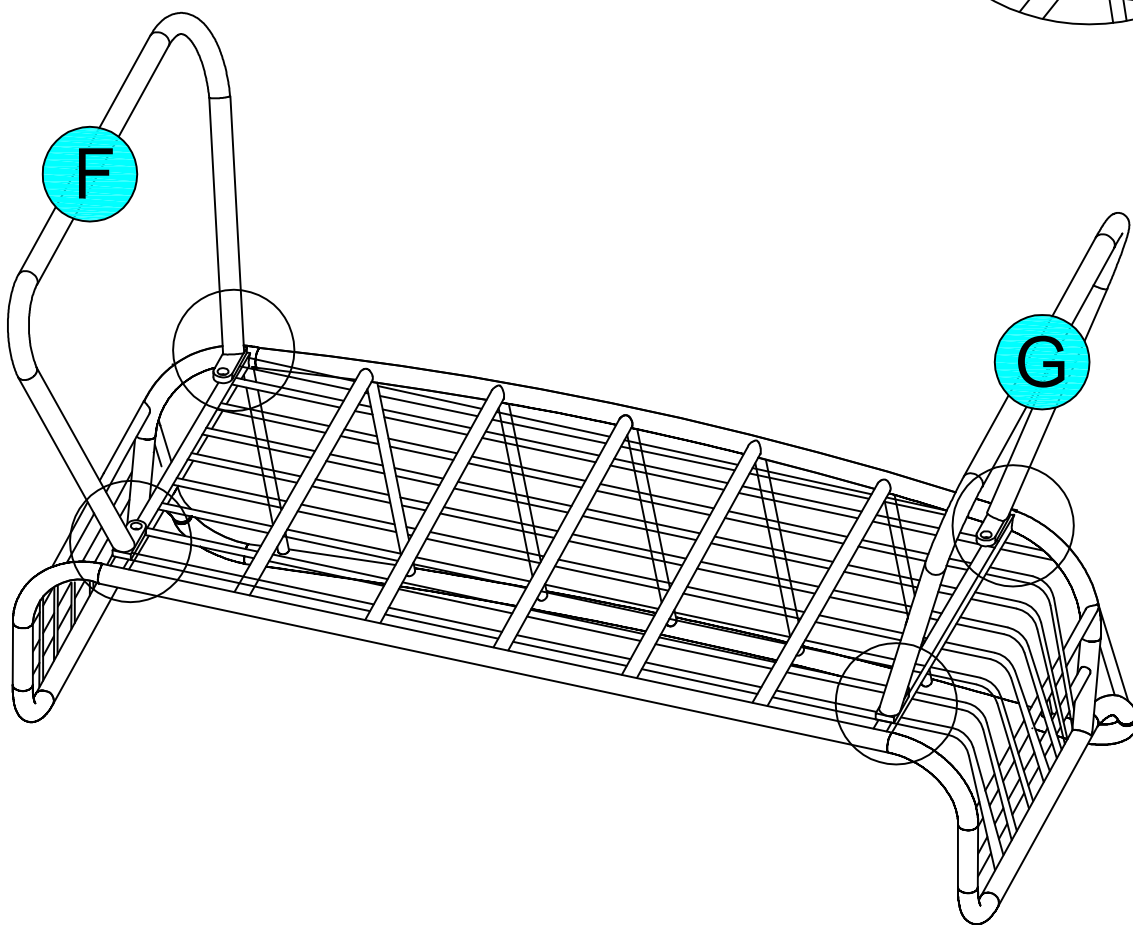
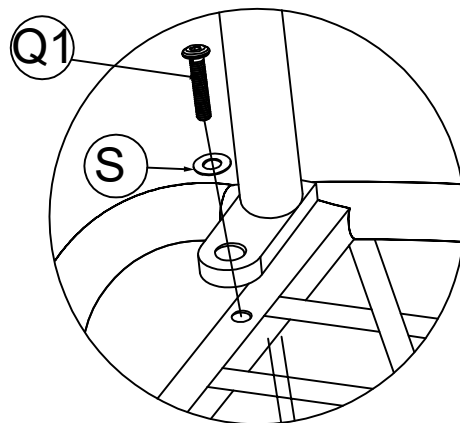
G 1pcs



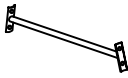
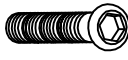


Q1 4pcs



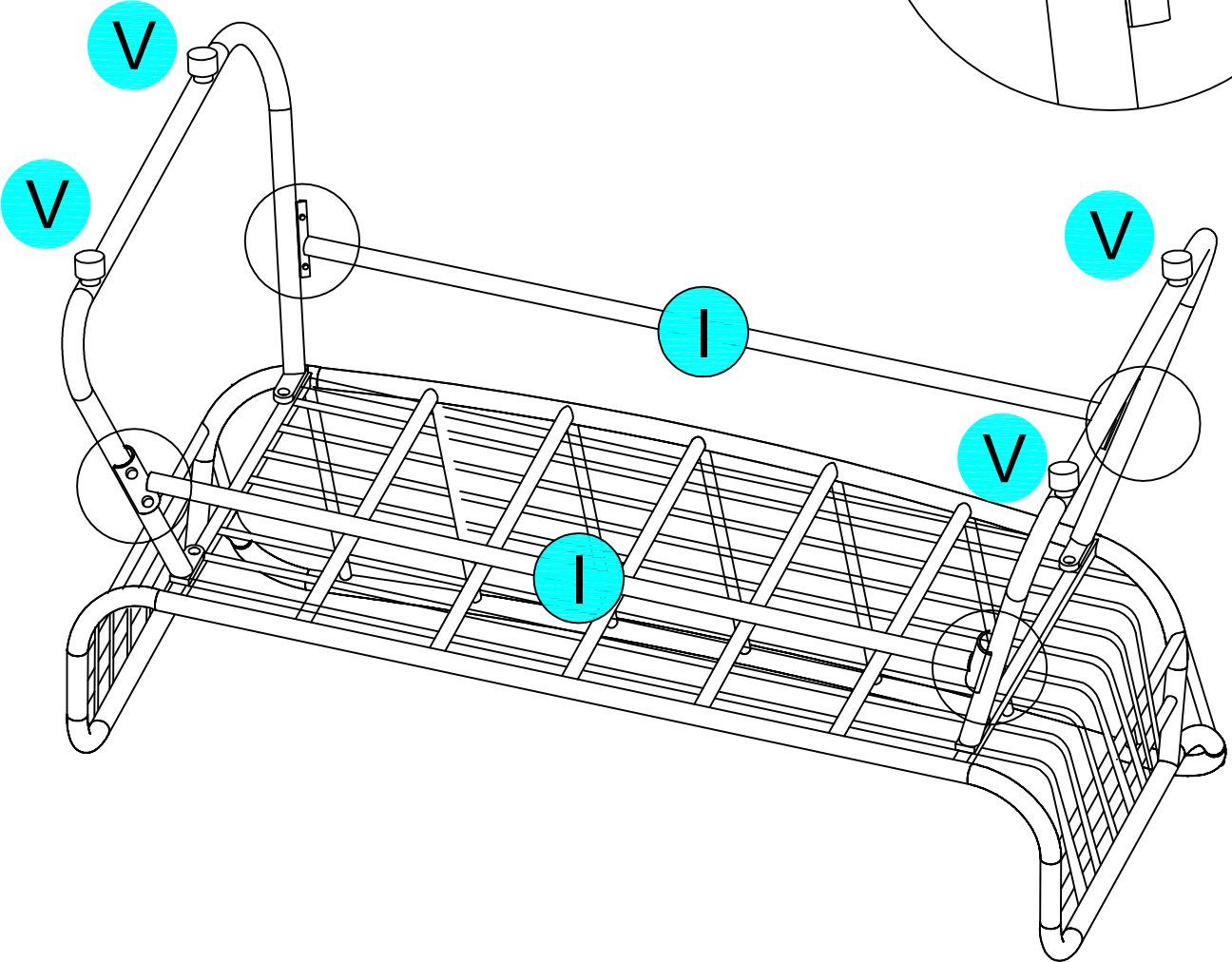
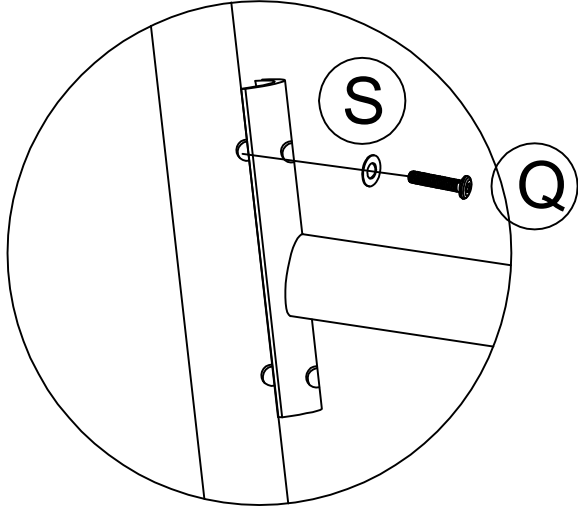
S 4pcs



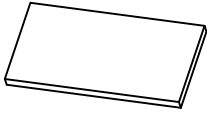
7

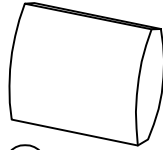
I 2pcs Q 8pcs V 4pcs S 8pcs



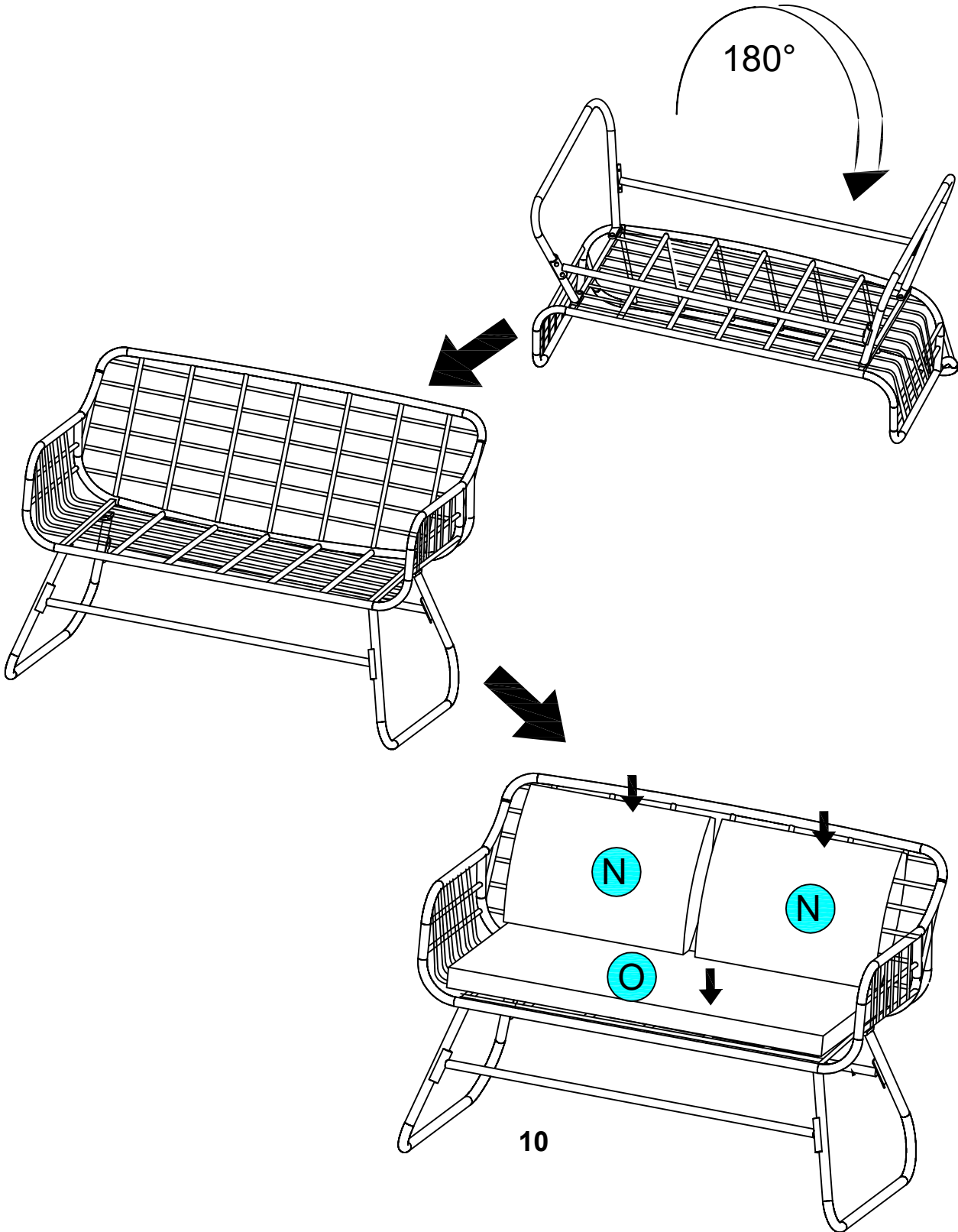
8



⊙ 1pcs



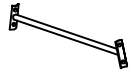
Ⓝ 2pcs



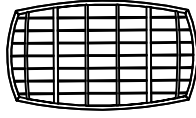
9



Ⓛ 2pcs



ⓙ 2pcs



ⓔ 1pcs



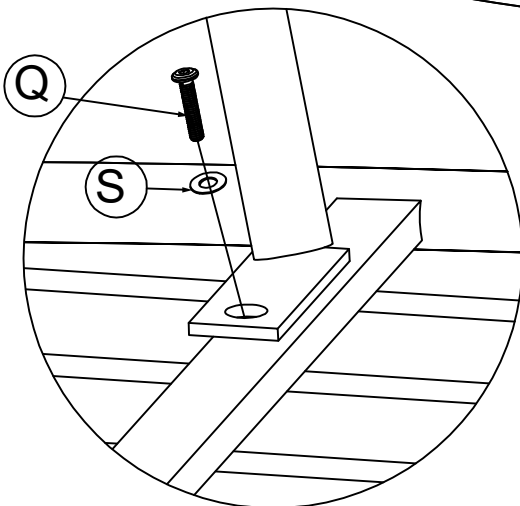
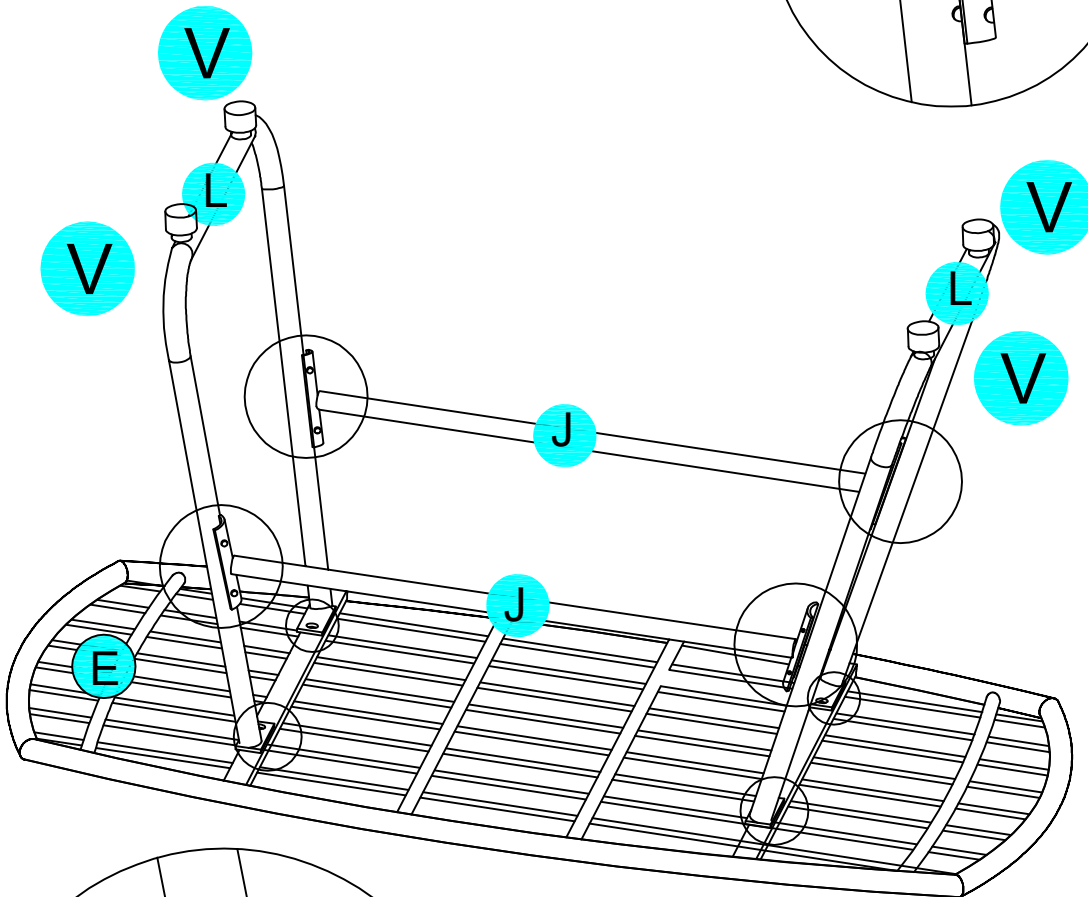
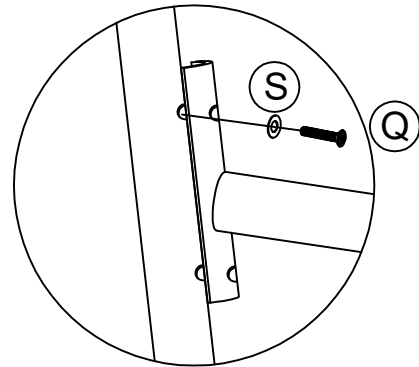
Ⓥ 4pcs



Ⓚ 12pcs



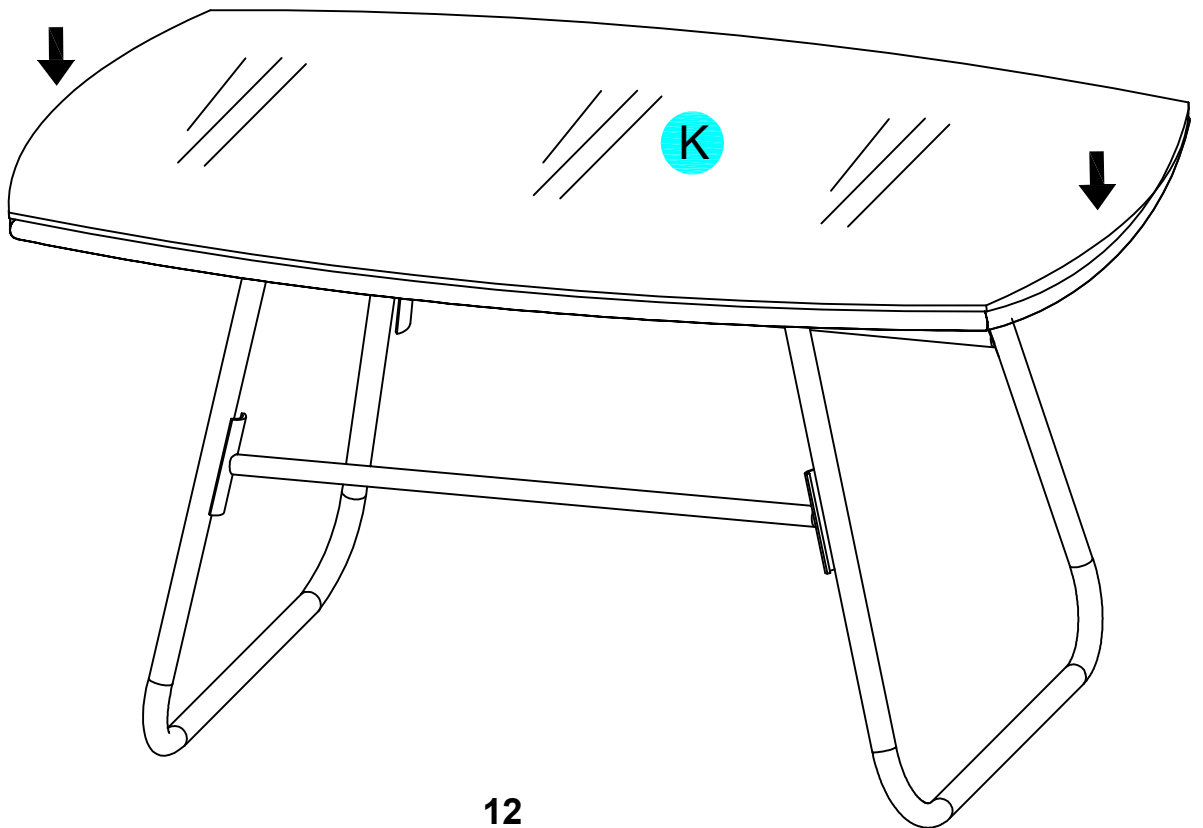
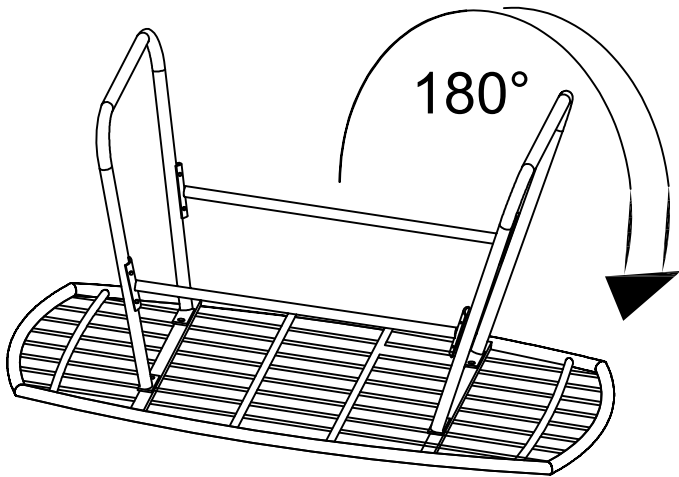
Ⓢ 12pcs



10



Ⓚ 1pcs



11

