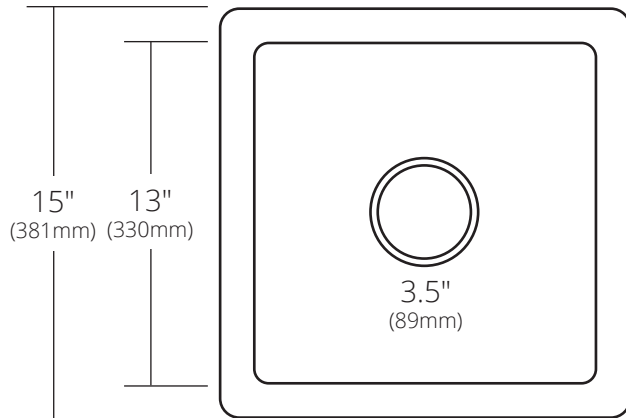


SPECIFICATIONS

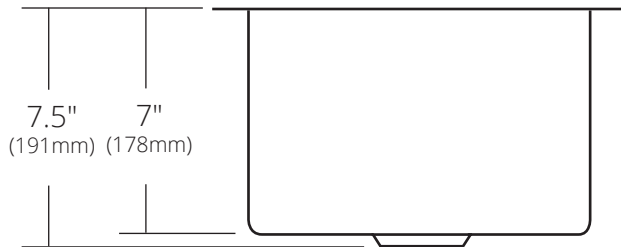
**CANTINA**



TOP VIEW



SIDE VIEW



**HERITAGE TEXTURE**

- CPS234 Antique
- CPS534 Brushed Nickel
- CPS434 Polished Copper
- CPS834 Polished Nickel

**FOUNDRY TEXTURE**

- CPS234-F Antique
- CPS834-F Polished Nickel

**FOUNDRY TEXTURE**

- CPS234-F Antique
- CPS834-F Polished Nickel

**PRODUCT DETAILS**

- 15" x 15" x 7.5" OD (381mm x 381mm x 191mm)
- 13" x 13" x 7" ID (330mm x 330mm x 178mm)
- Hand hammered 18 gauge recycled copper
- 3.5" (89mm) drain opening

**INSTALLATION**

- Undermount

**COORDINATING PRODUCTS**

- Drains: DR320 or DR340
- Bottom Grid: GRD934
- MetalProtect™ for polished finishes
- UK1426 Undermount Kit

**STANDARDS COMPLIANCE**

- UPC/cUPC compliant

**IMPORTANT**

Due to the handcrafted nature of this product, it will vary in finish, texture, hammering, and other details. Dimensions may vary up to ¼" (6mm). We strongly recommend waiting for the actual product before making any installation cuts.