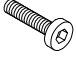
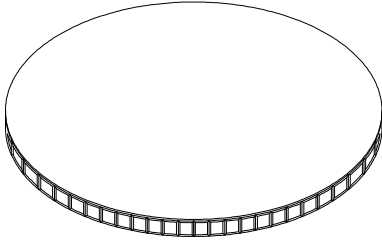
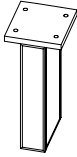


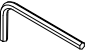


Assembly Instructions

A	 M8 Bolts x 35mm	12pcs	1		2	
B	 Spring washer(Ø8)	12pcs				
C	 Metal Washer(Ø8xØ18)	12pcs				
D	 5mm Allen Key	1pc				
				1pc		3pcs

Step 1

Note: The 4 screws on one leg need to be put into the holes at the same time and then tightened one by one.

