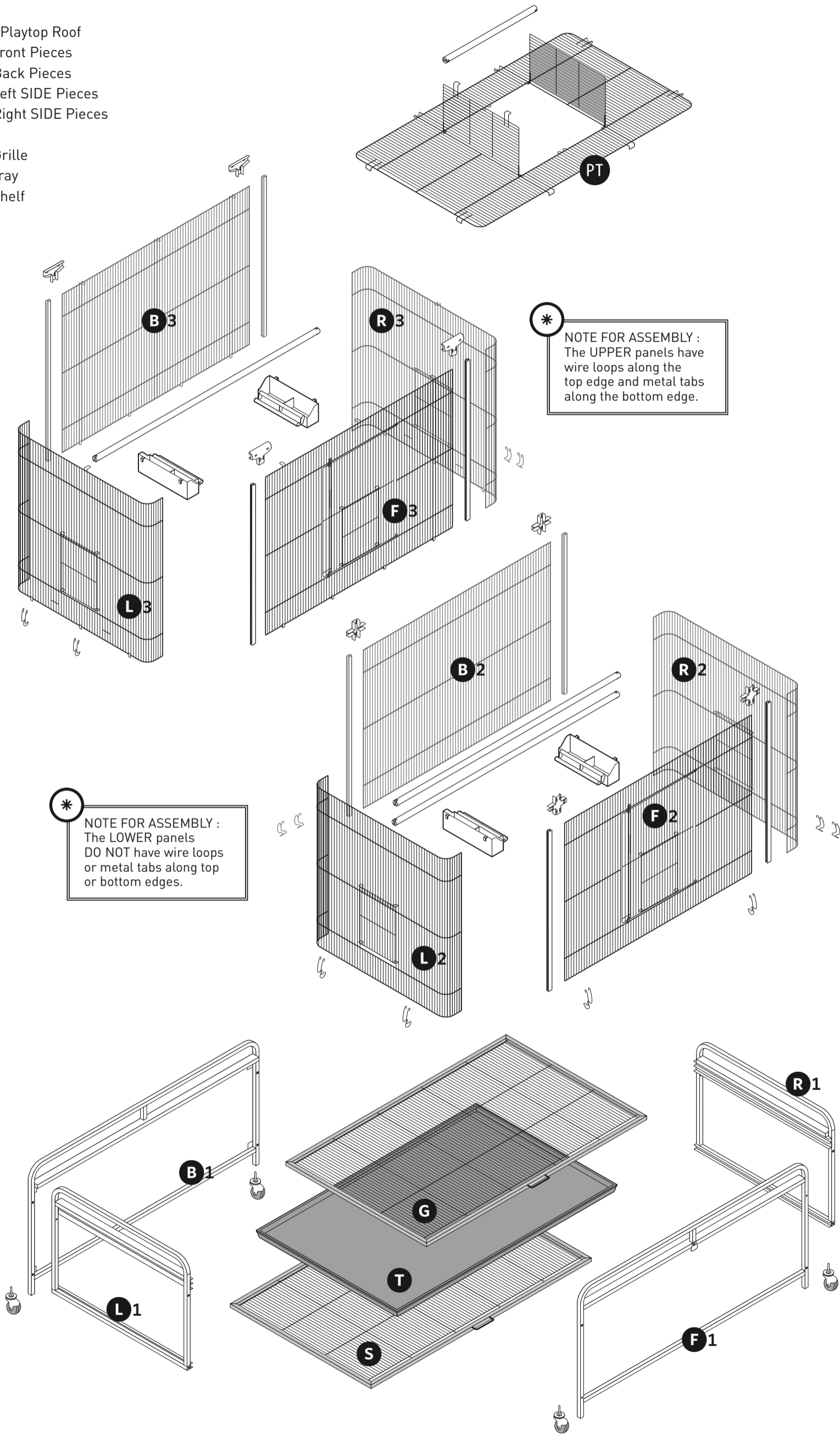


PLAYTOP FLIGHT CAGE with Stand



# PARTS LIST

**KEY:**

- PT = Playtop Roof
- F = Front Pieces
- B = Back Pieces
- L = Left SIDE Pieces
- R = Right SIDE Pieces
  
- G = Grille
- T = Tray
- S = Shelf





**HARDWARE INCLUDED:**

-  Screws 8 pcs
-  Nuts 4 pcs

-  Wire Clips 12 pcs

-  Rolling Casters 4 pcs

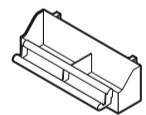
-  Connectors 4 "T" pcs
-  4 "+" pcs

**TOOLS INCLUDED :**

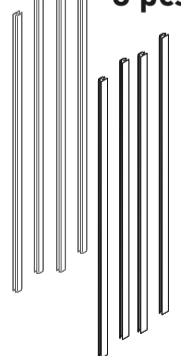


**ADDITIONAL COMPONENTS:**

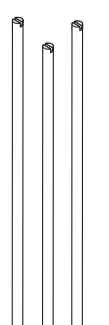
- Cups 4 pcs



- Connector Rails 8 pcs



- Perches 4 pcs

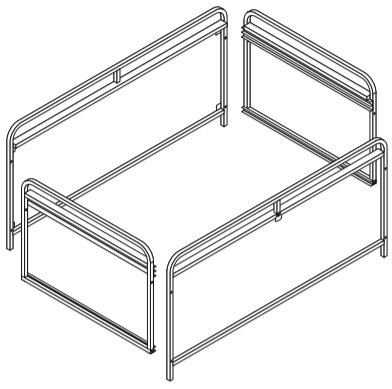


# Playtop Flight Cage with Stand

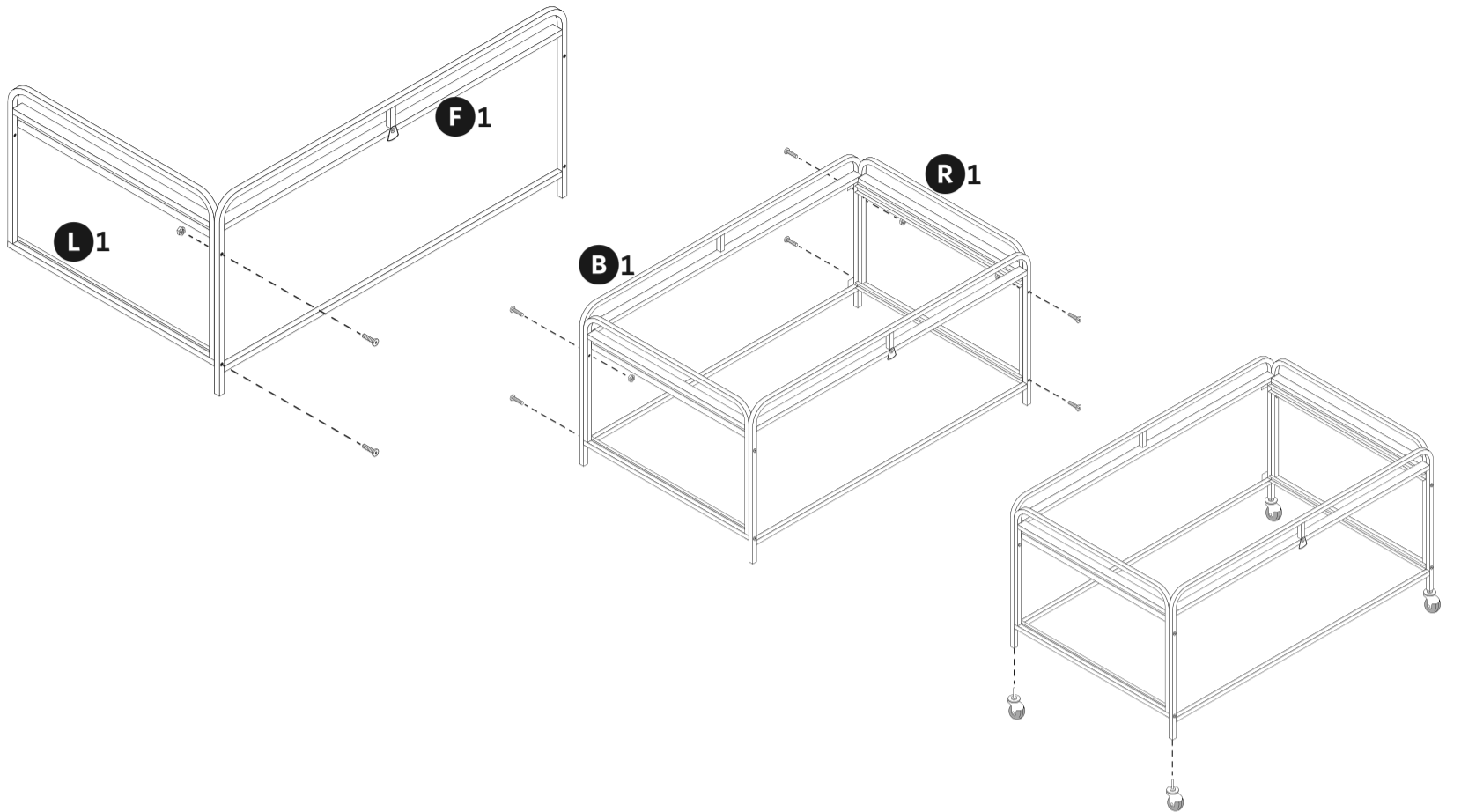
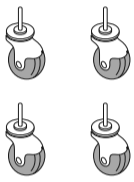
- Allen and crescent wrenches are included. No other tools are necessary.
- While it is possible for one person to assemble this cage, we recommend two people for best results.



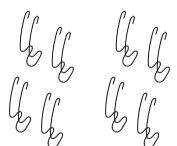
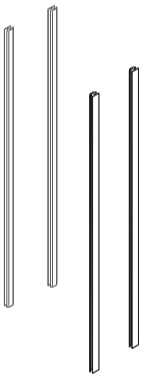
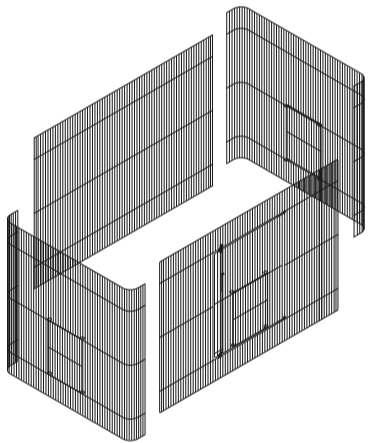
## 1 PIECES



 × 4  
 × 8



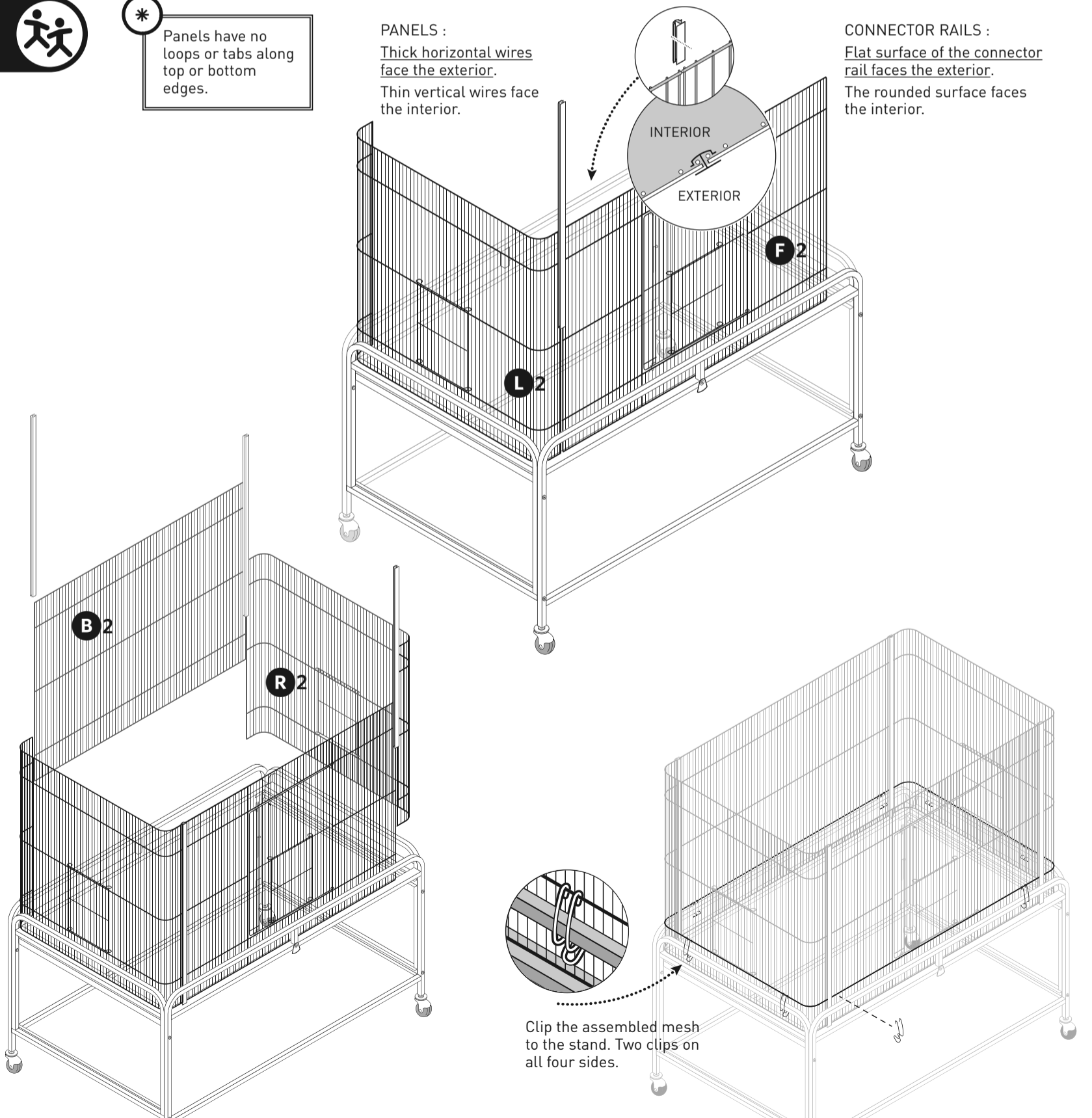
## 2 PIECES



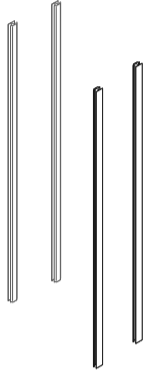
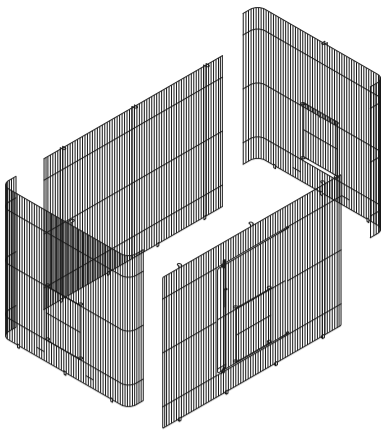
\* Panels have no loops or tabs along top or bottom edges.

PANELS :  
 Thick horizontal wires face the exterior.  
 Thin vertical wires face the interior.

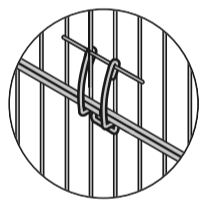
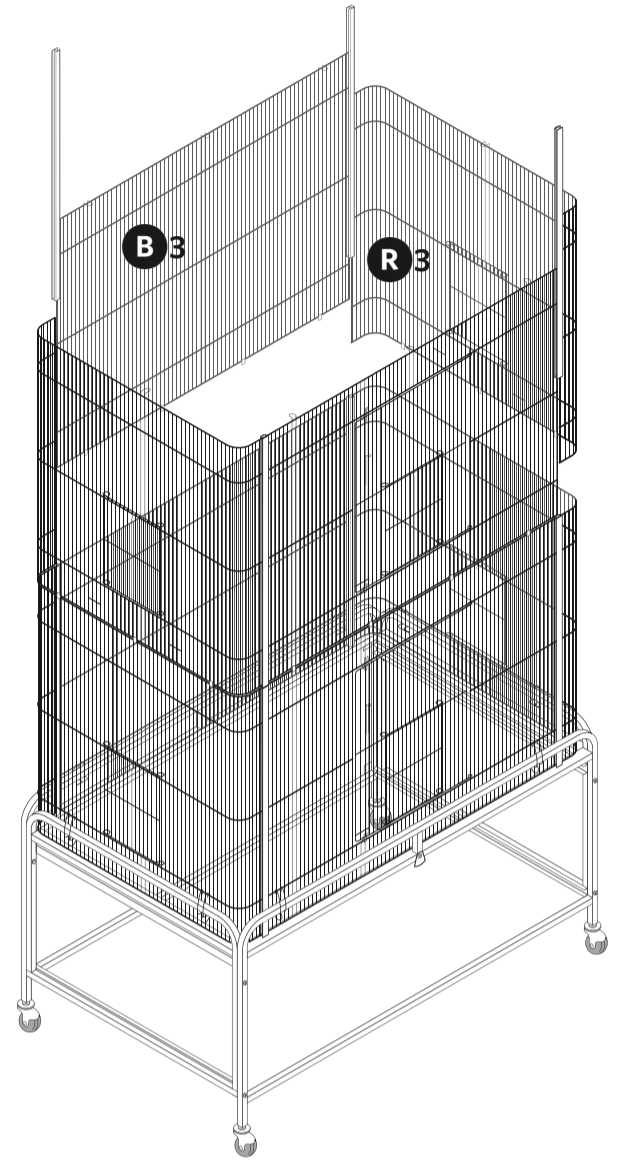
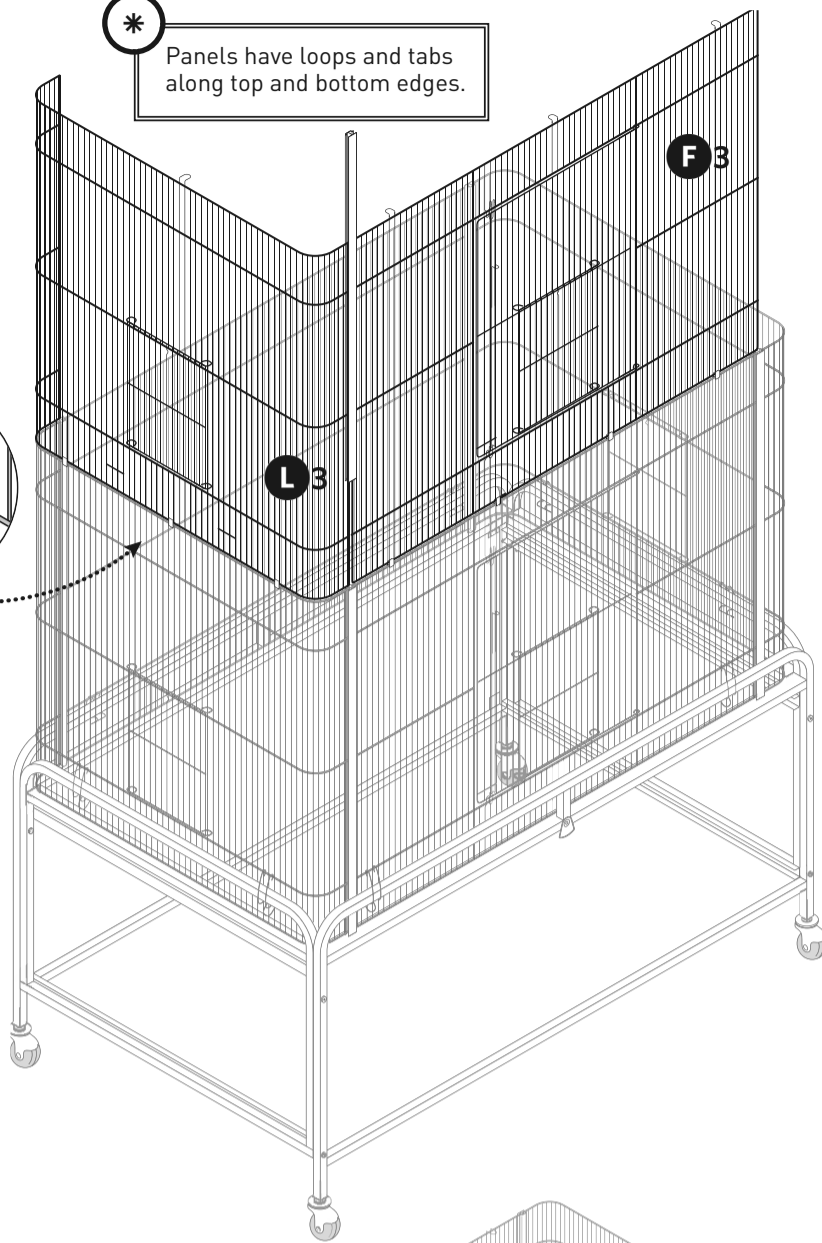
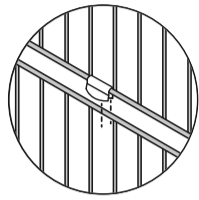
CONNECTOR RAILS :  
 Flat surface of the connector rail faces the exterior.  
 The rounded surface faces the interior.



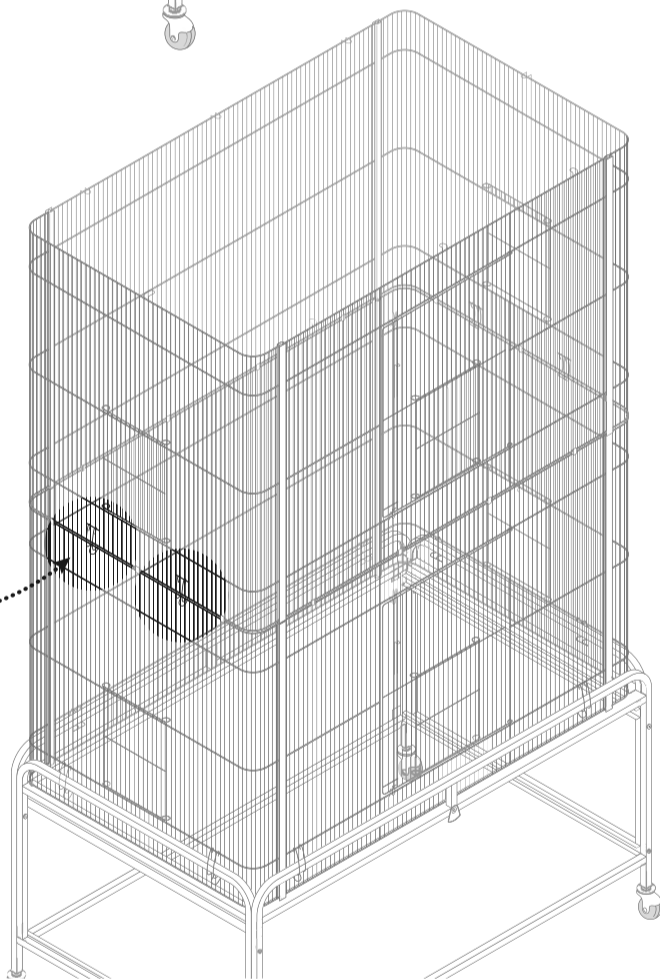
# 3 PIECES



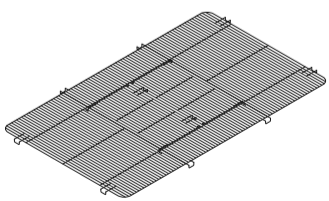
\* Panels have loops and tabs along top and bottom edges.



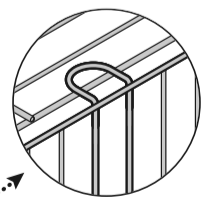
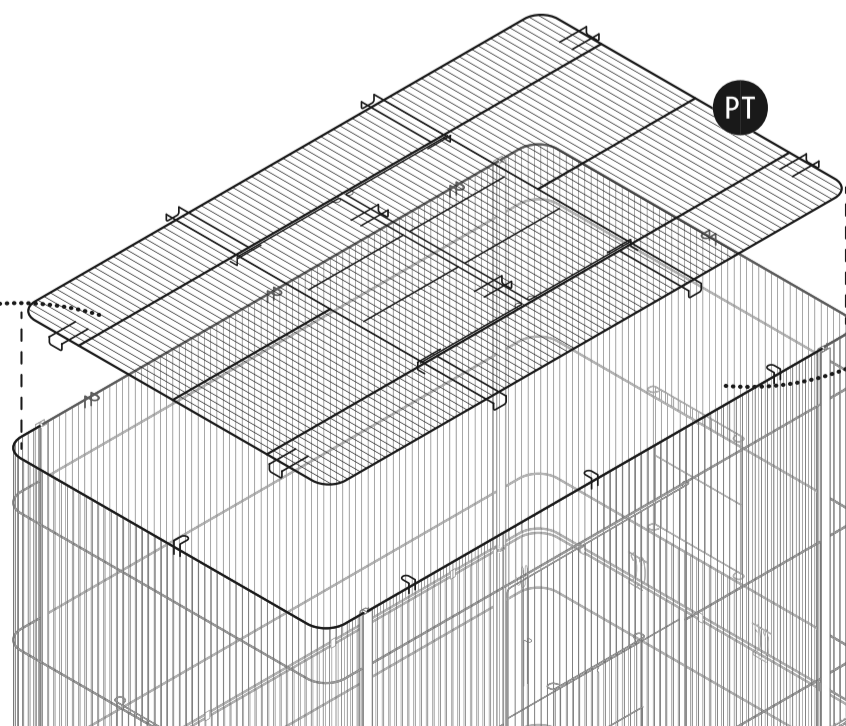
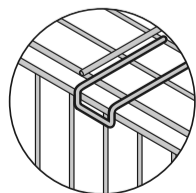
Clip the top half to the lower half. Two clips each, on the side panels only.



# 4 PIECES

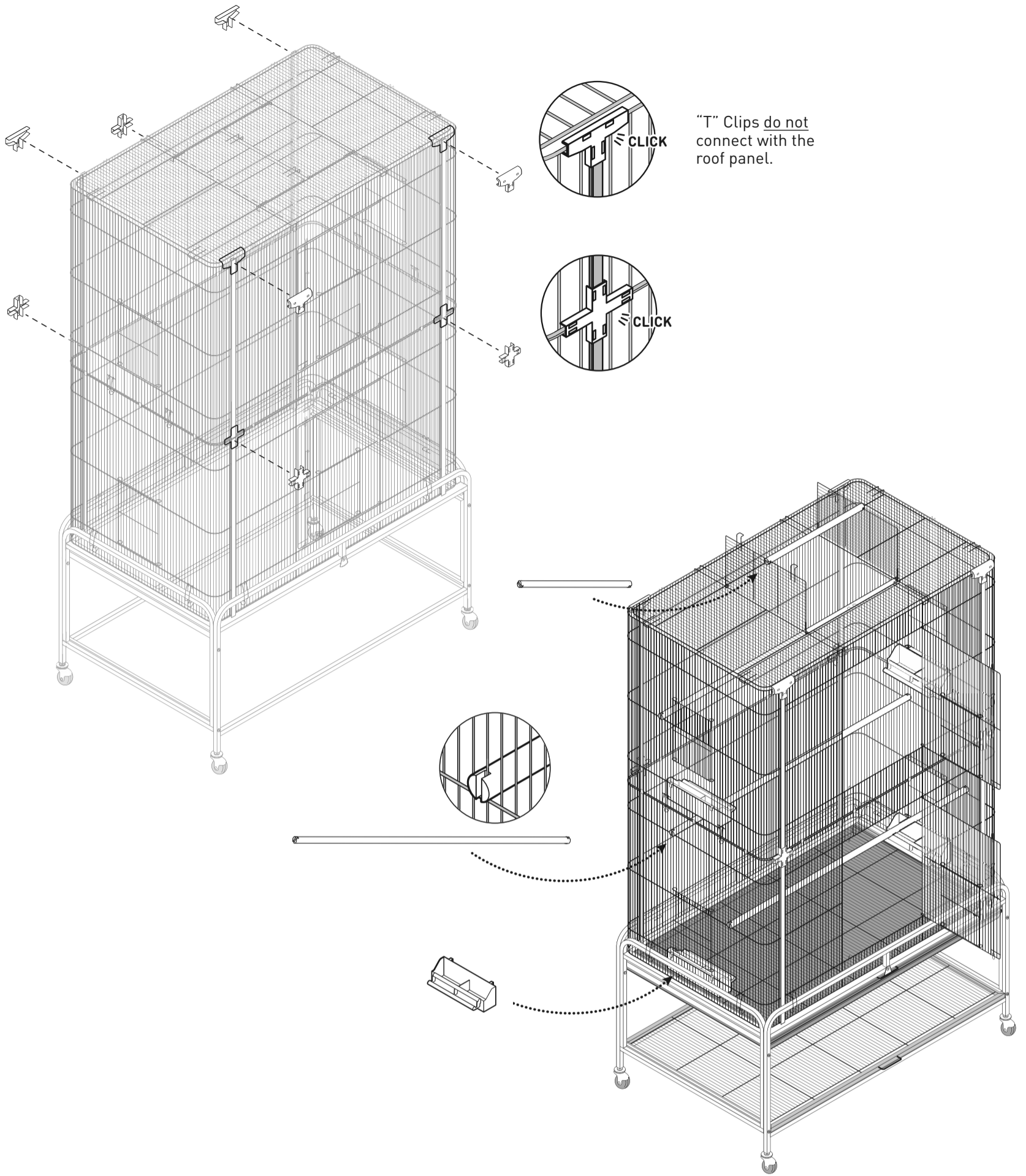
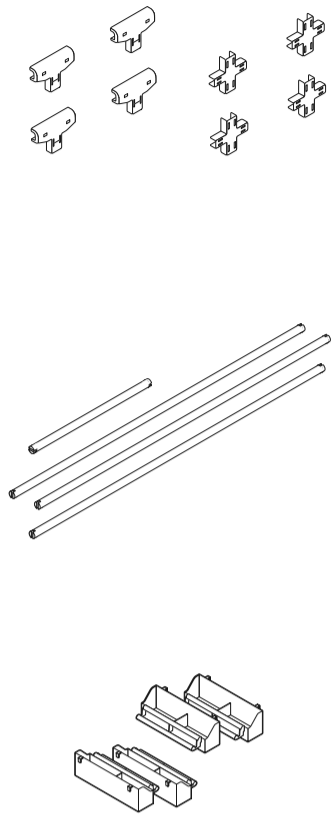


Roof loop extensions catch OVER the body mesh.

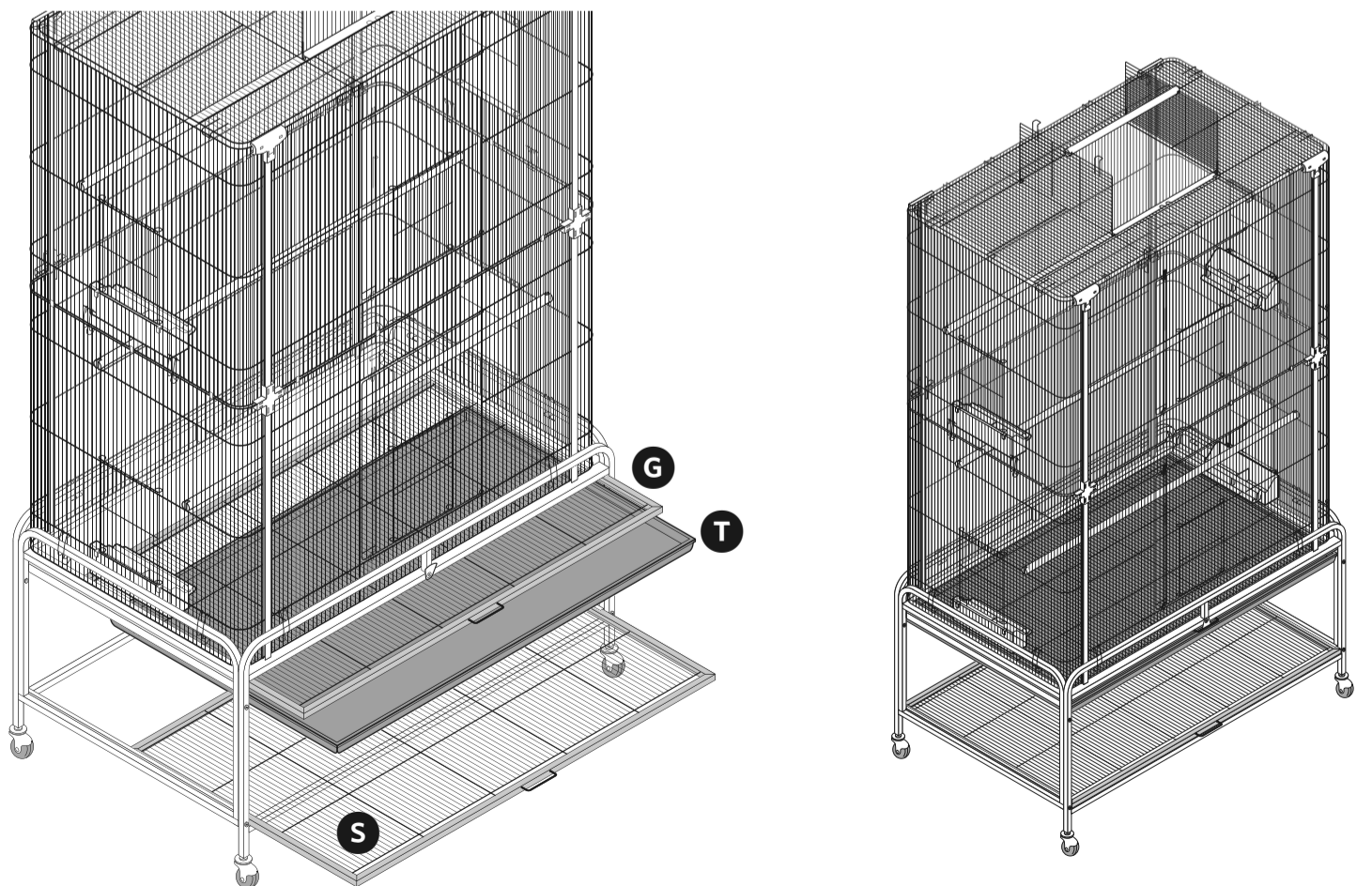
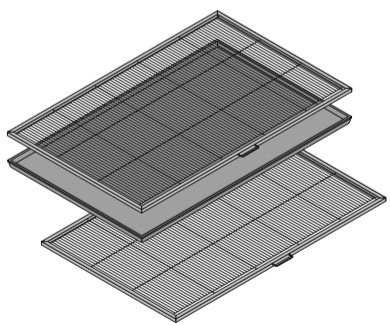


Roof panel goes UNDER the body mesh loops.

# 5 PIECES



# 6 PIECES



Assembly completed. ■